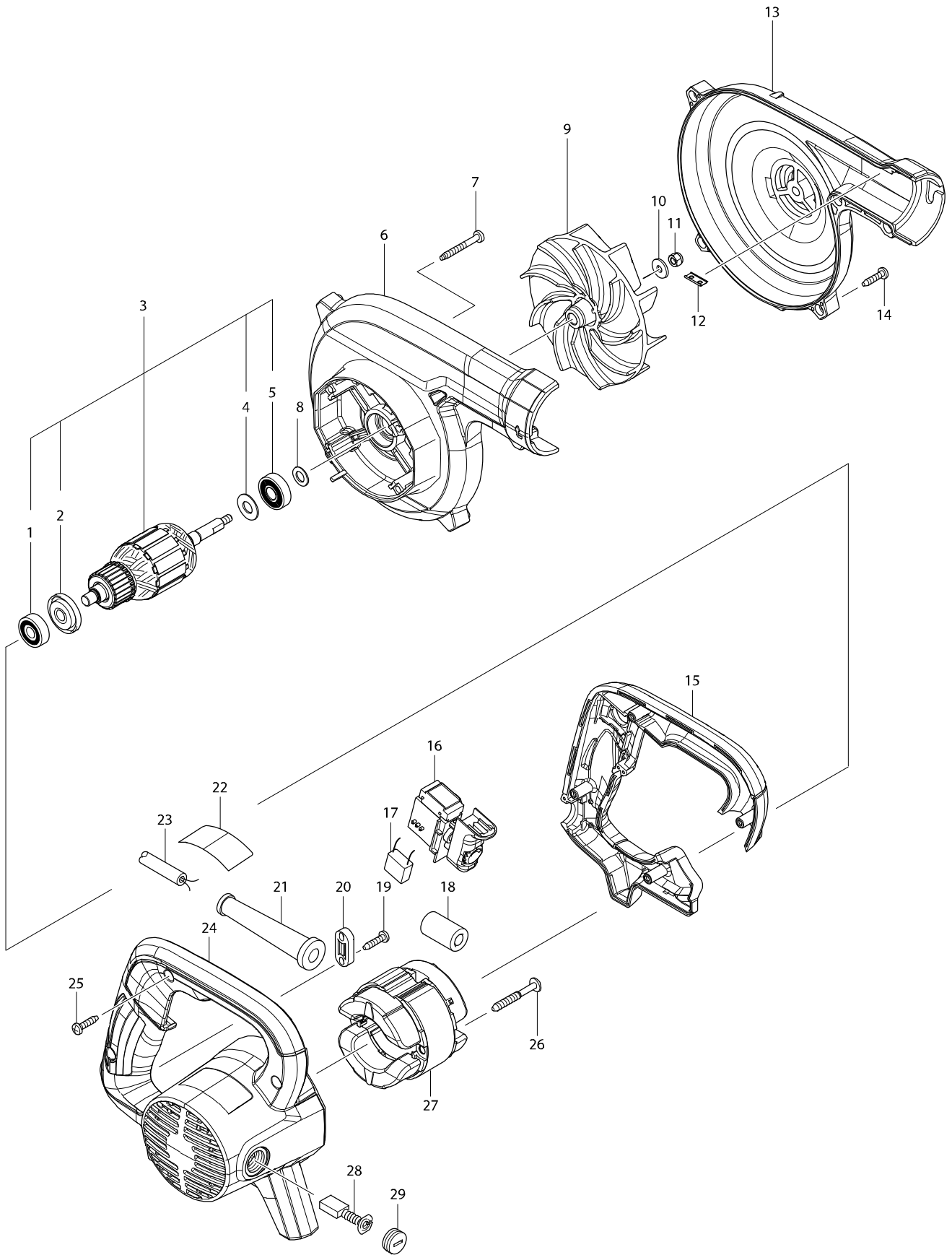


# Model No. UB1103 BLOWER



# Model No. UB1103 BLOWER

Item	Parts No.	Description	I/C	Qty	N/O	Opt. 1	Opt. 2	Note
001	210044-4	BALL BEARING 608DDW		1				
002	681644-1	INSULATION WASHER		1				
D10		INC. 1,2,4,5						
003A	513904-2	ARMATURE ASS'Y 240V		1				
003G	513901-8	ARMATURE ASS'Y 115V		1				
004	267237-4	FLAT WASHER 9		1				
005	211491-2	BALL BEARING 609DDW		1				
006	142292-6	FAN HOUSING COMPLETE		1				
007	266351-3	TAPPING SCREW 4X35		4				
008	267240-5	FLAT WASHER 8		1				
009	240148-8	FAN 110		1				
010	267294-2	FLAT WASHER 5		1				
011	252103-8	HEX. LOCK NUT M5-8		1				
012	345998-7	SET PLATE		1				
013	454702-4	FAN COVER		1				
014	266326-2	TAPPING SCREW 4X18		5				
015	454700-8	HANDLE COVER		1				
016	651298-8	SWITCH TG813AB-1		1				
019	266326-2	TAPPING SCREW 4X18		2				
020	687123-7	STRAIN RELIEF		1				
021	682569-2	CORD GUARD 8-85		1				
022	815D55-4	UB1103 NAME PLATE		1				
023A	692021-2	POWER SUPPLY CORD 1.0-2-2.5		1				
023G	664013-1	POWER SUPPLY CORD AWG#18-2-2.5		1				
024	142291-8	MOTOR HOUSING COMPLETE		1				
C10	643708-9	BRUSH HOLDER 5-11		2				
025	266326-2	TAPPING SCREW 4X18		4				
026	266211-9	TAPPING SCREW 5X40		2				
C10	654020-2	RING TERMINAL		2				
C20	654501-6	CONNECTOR P-1.25		2				
027A	594634-4	FIELD ASS'Y 240V		1				
027G	594630-2	FIELD ASS'Y 100V		1				
028	191963-2	CARBON BRUSH CB-303		1				
029	643750-0	BRUSH HOLDER CAP 7-11		2				
A01	123245-4	NOZZLE ASS'Y		1				
C10	454703-2	JOINT		1				
A02	123241-2	DUST BAG ASSEMBLY		1				
C10	410602-8	FASTENER		1				