

SPARE PARTS LIST

MODEL NO. VC3211M

ITEM	PART NO.	DESCRIPTION	QTY	NOTE
001	452451-7	4sQe1a [1] HAK do VC1310/2510/3210L	1	
002	800W80-2	CAUTION LABEL	1	
003	141915-3	[1] POKRYWA GÓRNA Z UCHWYTEM do VC3211M INC. 4-6	1	
004	451340-3	GRIP	1	
005	891977-8	CAUTION LABEL	1	
006	423456-4	TOP DAMPER	1	
007	266053-1	4ble7a [1] (zam. 266351-3) SRUBA 4X35 4304	9	
009	265995-6	4bld9c [1] (MKC) SRUBA 4x18	2	
010	451343-7	6aDh2h [1] WSPORNIK WLACZNIKA do VC1310/2510/3210L	1	
011	650659-9	SWITCH	1	
012	686023-8	4aZc9c [1] GNIAZDO do 9067	8	
013	620185-2	[1] WLACZNIK do VC3211MX1	1	
014	961013-5	4bAe1d [1] PIERSCIEN	2	
015	961062-2	4bAe5a [1] PIERSCIEN BLOKUJACY E-12	1	
016	685740-7	RUBBER SHEET	1	
017	655123-5	OUTLET	1	
018	800W82-8	CAUTION LABEL	1	
019	141912-9	[1] GNIAZDO WLACZNIKA do VC3211MX1 INC. 18	1	
020	266630-9	4bGh7a [1] SRUBA M4x16 do VC1310/2510/3210L	4	
021	213054-0	4aCc1e [1] ORING	1	
022	451344-5	4bGg6d [1] POKRETLO WLACZNIKA do VC1310/2510/3210L	1	
023	213054-0	4aCc1e [1] ORING	1	
024	451344-5	4bGg6d [1] POKRETLO WLACZNIKA do VC1310/2510/3210L	1	
025	213176-6	4aCc9c [1] O-RING 14 do AN943	1	
026	451342-9	4aAf3c [1] DZWIGNIA WYLACZNIKA do VC1310/2510/3210L	1	
027	423450-6	[1] FILTR TYLNY do VC3211M	1	
028	620184-4	CONTROLLER	1	
029	695350-2	4tMd1c [1] PRZEWÓD ZASILAJACY do VC1310/2510/3210L	1	
030	265999-8	4ald9e [1] (zam. 266374-1) SRUBA 4X25 5903R	2	
031	687149-9	STRAIN RELIEF	1	
032	688131-1	4bYg8d [1] FILTR do HM1810/MT240	1	
033	688131-1	4bYg8d [1] FILTR do HM1810/MT240	1	
034	620186-0	[1] OBWÓD BRZECZYKA do VC3211MX1	1	
035	266053-1	4ble7a [1] (zam. 266351-3) SRUBA 4X35 4304	5	
036	682575-7	CORD GUARD 12-90	1	
037	141917-9	SEPARATOR COMPLETE INC. 38	1	
038	423462-9	[1] USZCZELKA SILNICZKA DC do VC3211M	1	
039	423279-0	4bKg2b [1] PIERSCIEN USZCZELNIAJACY 70 do VC2510L	1	
040	451338-0	4sQd1b [1] POKRYWA SILNIKA do VC3210L	1	
041	241512-6	4bKe6b [1] KOLO WENTYLATORA do VC2510L	1	
042	424228-0	6aDa5f [1] PIERSCIEN GUMOWY 120 do VC1310/2510/3210L	1	
043	125876-5	4tNd1a [1] SILNIK KPL. do VC2510L INC. 44-50,52,54,55,126	1	
044	911283-6	4bGj6a [1] SRUBA M5x60 do VC2510L	2	
045	195483-8	4bNe1d [1] SZCZOTKI WEGLOWE KPL. do VC1310/2510/3210L	1	
046	452106-4	6aDg2c [1] GNIAZDO SILNIKA do VC3210L	1	
047	643610-6	4cAe1d [1] UCHWYT SZCZOTEK WEGLOWYCH do VC3210L	2	
048	911118-1	4aZf2d [1] SRUBA 4x16	2	
049	687010-0	4bYg5c [1] SPINKA 9207SPC/JN3200	1	
050	267715-4	4bJd1c [1] PODKLADKA 18	1	
051	211092-6	4cBc1f [1] LOZYSKO =>210078-7	1	
052	517849-6	6kJb1d [1] WIRNIK do VC1310/2510/3210L INC. 51,53	1	
053	211087-9	4iGc1b [1] LOZYSKO 6200 2RS=>211067-5	1	
054	526204-1	6IKd1d [1] STOJAN do VC1310/2510/3210L	1	
055	454480-6	[1] PODSTAWA do VC3211M	1	
056	316795-8	4bld7c [1] FLANSZA do VC2510L	1	
057	241910-4	4sQe1b [1] WENTYLATOR do VC1310/2510/3210L	1	

SPARE PARTS LIST

MODEL NO. VC3211M

ITEM	PART NO.	DESCRIPTION	QTY	NOTE
058	325747-8	4aBd1b [1] DYSTANS do VC1310/2510/3210L	1	
059	346114-4	4sQc1d [1] LOPATKA TURBINY do VC1310/2510/3210L	1	
060	241910-4	4sQe1b [1] WENTYLATOR do VC1310/2510/3210L	1	
061	316799-0	4bHh4c [1] PODKLADKA 10 do VC2510L	1	
062	931403-6	4aZk8b [1] NAKRETKA M8 3705/5500S/9079F/S	1	
063	346115-2	4gMf1a [1] POKRYWA WENTYLATORA do VC1310/2510/3210L	1	
064	424229-8	6aDa4k [1] PIERSCIEN PROWADZACY do VC2510/3210L	1	
065	423451-4	[1] PAS AMORTYZUJACY do VC3211M	1	
066	684900-8	VYNIL TUBE	1	
067	421468-1	CORD SEAL	2	
068	141916-1	TANK COVER COMPLETE INC. 65,69	1	
069	423455-6	[1] USZCZELKA do VC3211M	2	
070	814D82-8	VC3211M NAME PLATE	1	
071	266053-1	4ble7a [1] (zam. 266351-3) SRUBA 4X35 4304	2	
072	629981-5	[1] SILNIK PRADU STALEGO (DC) do VC3211M	1	
073	454207-4	[1] GNIAZDO SILNICZKA DC do VC3211M	1	
074	911003-8	4aZe8c [1] SRUBA M3x6	2	
075	267067-3	4alj5d [1] PODKLADKA 12 4602DW	1	
076	226283-6	4bYo5a [1] KOLO ZEBATE	3	
077	153228-0	4aAh7e [1] ZEBATKA 6221DW/6222DW KPL.	1	
078	226284-4	6aBb4e [1] KOLO ZEBATE	3	
079	226285-2	6aBb5e [1] KOLO ZEBATE 42 6221DW/6222DW	1	
081	211375-4	4aBg2a [1] (AM) LOZYSKO	1	
082	267464-3	[1] PODKLADKA 34 do VC3211M	1	
083	135554-9	[1] TRZPIEN do VC3211MX1	1	
084	424543-2	RUBBER RING	1	
085	424544-0	[1] PIERSCIEN USZCZELNIAJACY do VC3211M	1	
086	961060-6	4bAe4e [1] ZEGER	1	
087	267041-1	4blj4a [1] PODKLADKA 20 2106	1	
088	213304-3	4aBk3c [1] ORING	1	
089	454208-2	[1] KRZYWKA do VC3211M	1	
090	141919-5	[1] ZAPADKA ZEWNETRZNA do VC3211M	2	
091	141918-7	[1] WLOTOWY do VC3211MX1	2	
092	632A68-0	LEAD UNIT	2	
093	454204-0	INNER COVER	1	
094	266053-1	4ble7a [1] (zam. 266351-3) SRUBA 4X35 4304	5	
095	454209-0	PROTECTOR	1	
096	266053-1	4ble7a [1] (zam. 266351-3) SRUBA 4X35 4304	3	
097	234273-5	[1] SPREZYNA 20 do VC3211M	2	
098	454215-5	[1] PLYTKA BLOKADY do VC3211M	1	
099	454214-7	[1] DZWIGNIA BLOKUJACA do VC3211M	1	
100	268292-9	PIN 4	1	
101	266257-5	4bli2b [1] SRUBA 4x28	3	
102	417587-9	HOLDER PLATE	1	
103	451455-6	6aDh4h [1] UCHWYT do VC2510/3210L	1	
104	266192-7	4blg4d [1] SRUBA 4x14	4	
105	266192-7	4blg4d [1] SRUBA 4x14	4	
106	168537-4	6aBe4c [1] HAK do VC1310/2510/3210L	2	
107	451545-5	4cAe1f [1] WSPORNIK HAKA do VC3210L	2	
108	188824-5	2pMb1b [1] ZBIORNIK KPL. do VC3210L INC. 109,110	1	
109	424346-4	6aGb2g [1] PIERSCIEN GUMOWY do VC3210L	1	
110	911118-1	4aZf2d [1] SRUBA 4x16	1	
111	451546-3	4fWb1c [1] POKRYWA WLOTU POWIETRZA do VC3210L	1	
112	213655-4	4aCi2a [1] ORING 56 HR3510//20/HM1200/AN7000.	1	
113	451454-8	6aDg5c [1] WLOT POWIETRZA do VC2510/3210L	1	
114	911103-4	4aZe9d [1] SRUBA M4X6	1	
115	649150-2	4blj2e [1] PRZEWÓD UZIEMIAJACY	1	
116	424270-1	6aDg1j [1] ZDERZAK do VC3210L	1	
117	451643-5	6aDf3d [1] KOLPAK KÓLKA do VC3210L	2	

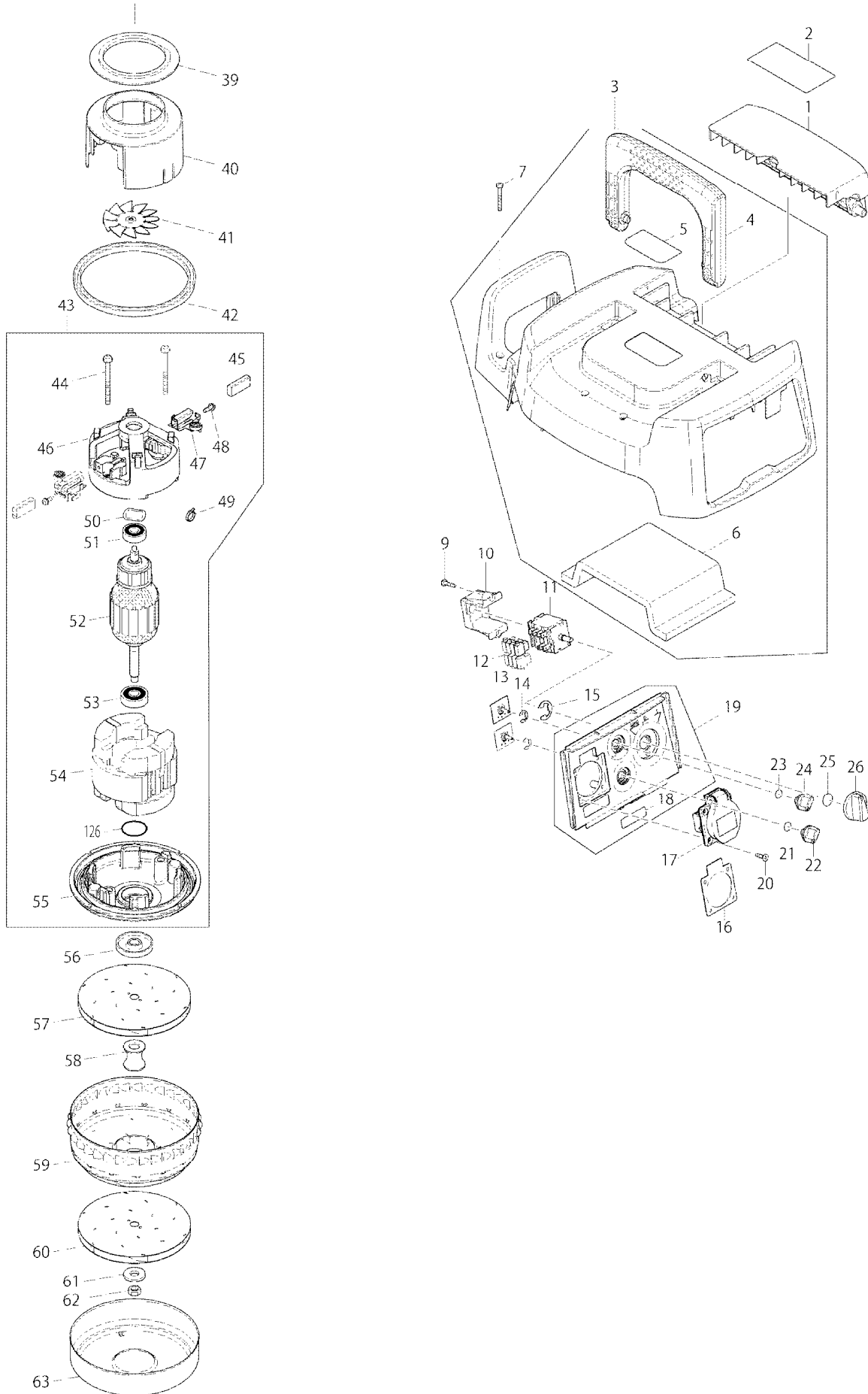
SPARE PARTS LIST

MODEL NO. VC3211M

ITEM	PART NO.	DESCRIPTION	QTY	NOTE
118	961060-6	4bAe4e [1] ZEGER	2	
119	267299-2	4bJc5e [1] PODKLADKA 20 do GA7020-9040SF01	2	
120	451642-7	4sPb1b [1] KÓLKO OBROTOWE do VC3210L	2	
121	331888-0	6aDa1i [1] ZLACZE RURY do VC3210L	1	
122	168547-1	6aBf1k [1] KÓLKO do VC3210L	1	
123	141875-9	[1] FILTR KPL. do VC3211MX1	2	
124	423452-2	[1] AMORTYZATOR do VC3211M	2	
125	196253-8	[1] FILTR WSTEPNY KPL. do VC3211MX1	2	
126	213406-5	4aBk5b [1] ORING 30 HR3850/B/HR5000/HM1200/S...	1	
A01	195433-3	A0511 [3] WAZ ELSTYCZNY 28mm x 3,5m do VC1310/2510/3210L INC. A02,A03	1	
A02	417765-1	4jWh1f [3] ADAPTER DO PRZYLCZENIA ELEKTRONARZEDZI 22mm do VC1310/2510/3210L		
A03	424379-9	4jWg1d [3] ADAPTER DO PRZYLCZENIA ELEKTRONARZEDZI 24mm do VC1310/2510/3210L		
A04	141873-3	BELT HOOK COMPLETE	1	
A05	166116-2	HOSE BAND	2	
A06	195440-6	4tMc1a [3] WORKI FOLIOWE 45L 800x650mm do VC2510/3210L (10szt)		
A07	424545-8	CAP	1	
A08	122512-4	NOZZLE ASS'Y	1	
A09	195434-1	A1412 [3] WAZ ELASTYCZNY 38mm x 2,5m do VC1310/2510/3210L		
A10	192563-1	4tPd1b [3] RURA PROSTA ALU 55mm do VC1310/2510/3210L	1	
A11	192562-3	4tPe1a [3] RURA WYGIETA (REKOJESC do VC1310/2510/3210L	1	
A12	410306-2	4tNc1a [3] SSAWKA SZCZELINOWA do VC1310/2510/3210L	1	
A13	451350-0	6aEh3i [3] OGRANICZNIK do VC1310/2510/3210L	1	
A14	*****	*****	***	*****

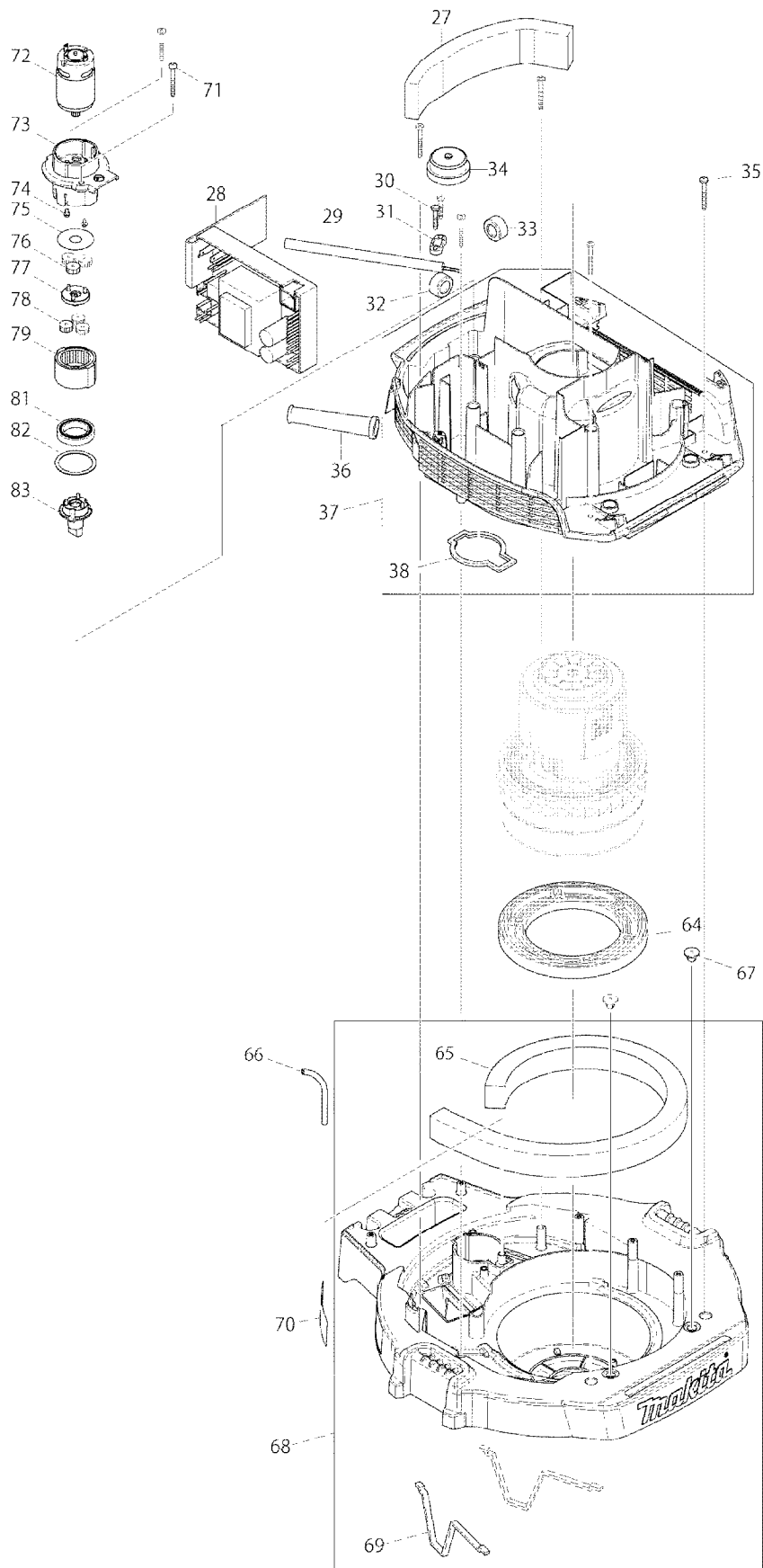
SERVICE DRAWING

MODEL NO. VC3211M



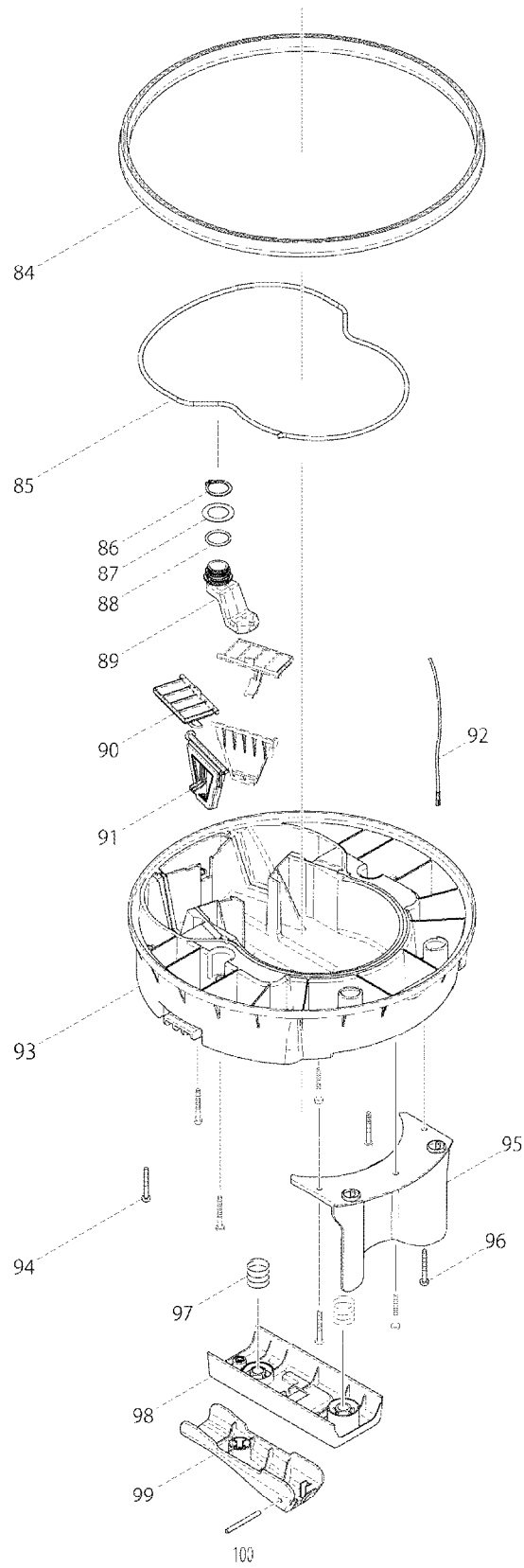
SERVICE DRAWING

MODEL NO. VC3211M



SERVICE DRAWING

MODEL NO. VC3211M



SERVICE DRAWING

MODEL NO. VC3211M

