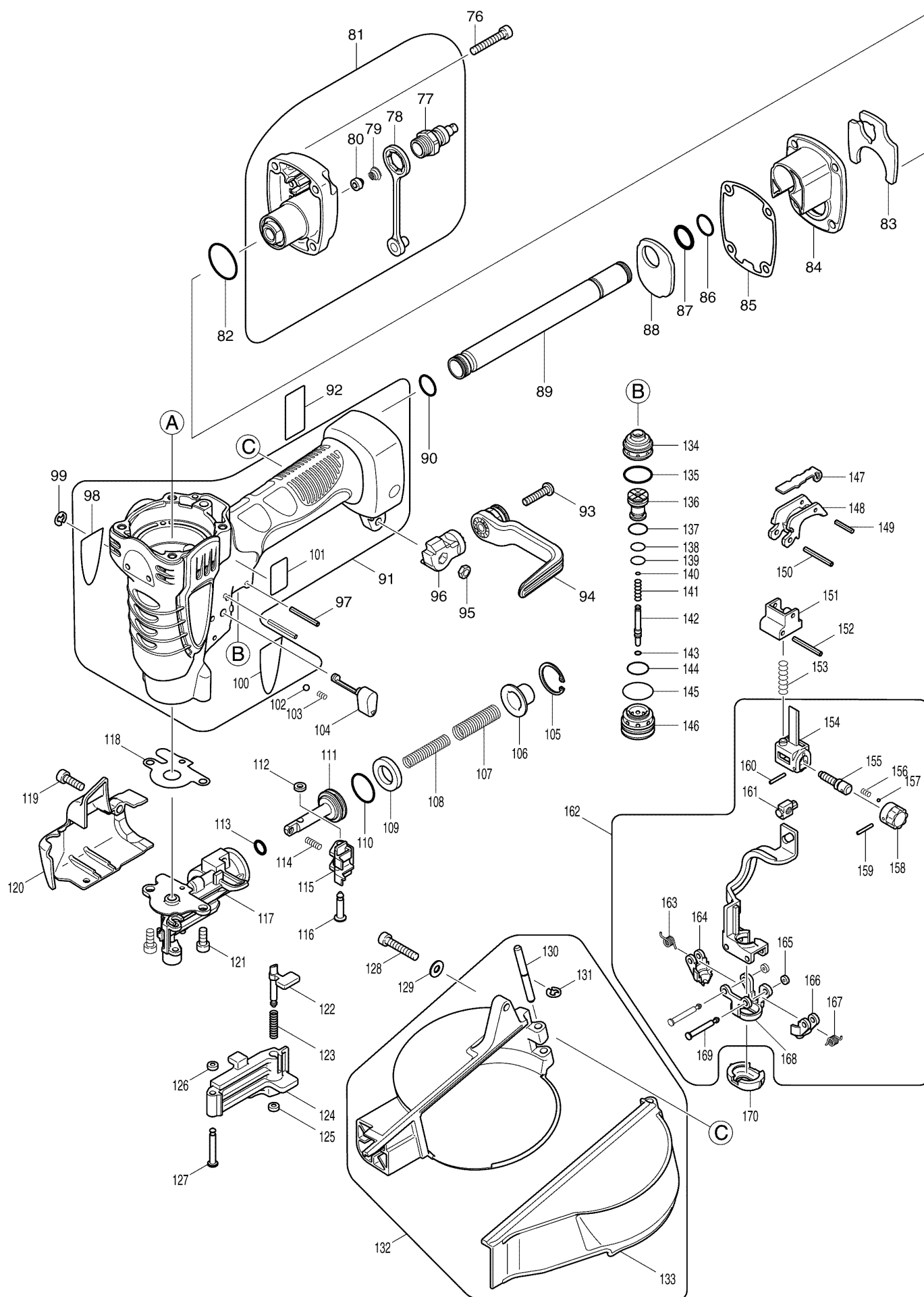


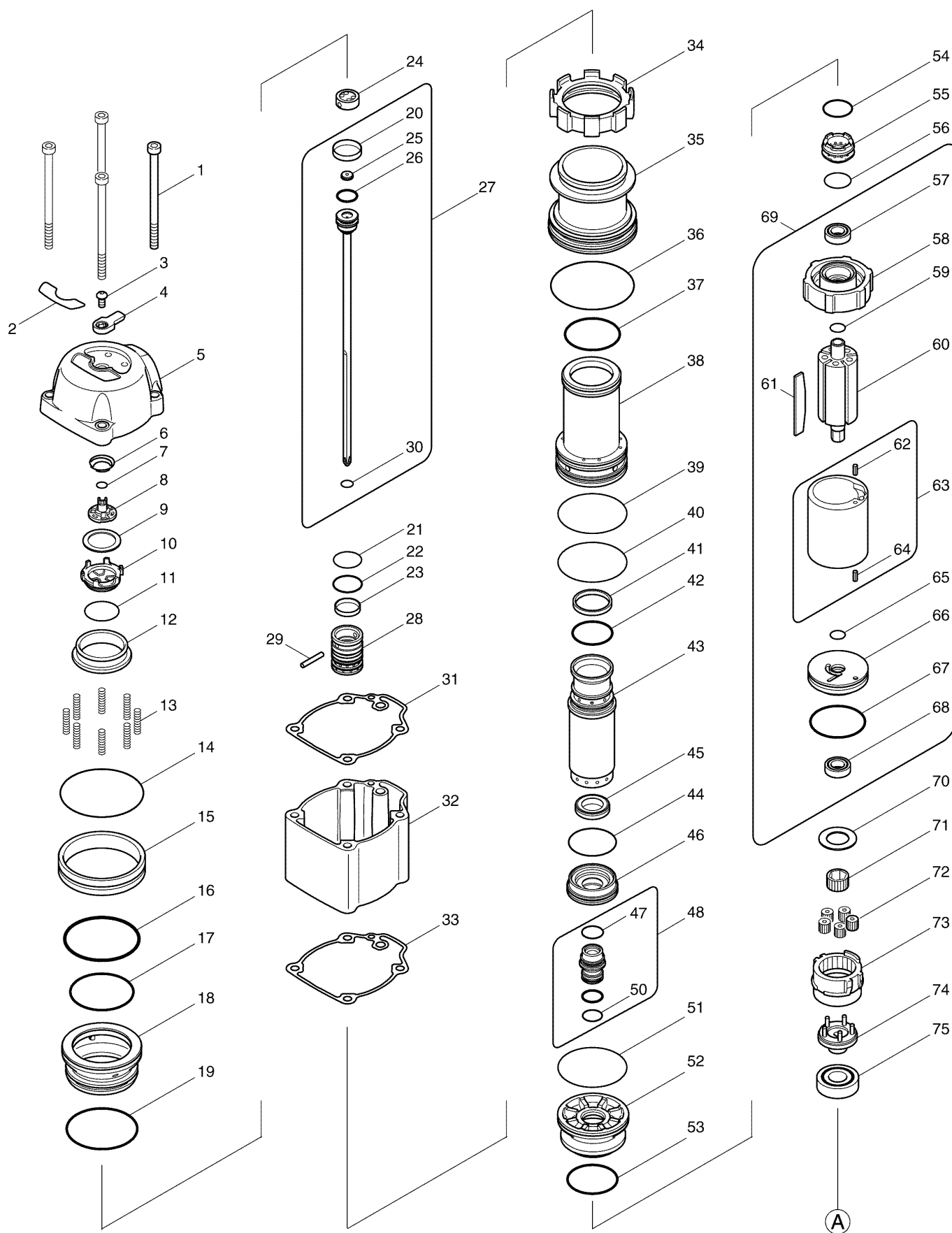
1	266431-5	HEX SOCKET HEAD BOLT M5X80
2	816897-5	INDICATION LABEL
3	266430-7	H.S. BUTTON HEAD BOLT M4X8
4	450334-5	KNOB
5	318233-6	TOP CAP
6	233962-9	CONICALCOMPRESSION SPRING10-15
7	213045-1	O-RING 6
8	162263-7	CHANGE VALVE
9	267365-5	FLAT WASHER 19
10	424149-6	REAR CUSHION
11	213373-4	O RING 22
12	424072-5	SEAL RING
13	234079-1	COMPRESSION SPRING 4
14	213496-8	O-RING 54
15	331851-3	CYLINDER STAY
16	213145-7	O RING 47
17	213143-1	O RING 40
18	450306-0	HEAD VALVE
19	213144-9	O-RING 45
20	262146-2	RUBBER RING 16
21	213265-7	O RING 17
22	213275-4	O RING 18
23	262145-4	RUBBER RING 16
24	324951-6	PISTON CAP
25	424151-9	REAR CUSHION
26	213140-7	O-RING 11
28	325592-1	MAIN PISTON
29	268227-0	PIN 3
30	213026-5	O RING 7
31	162260-3	TOP CAP GASKET
32	318235-2	TOP CAP SPACER
33	162260-3	TOP CAP GASKET
34	424073-3	CYLINDER SEAL
35	450304-4	OUTER CYLINDER
36	213496-8	O-RING 54
37	213497-6	O-RING 31.5
38	450303-6	SEPARATER
39	213495-0	O-RING 45
40	213495-0	O-RING 45
41	262140-4	RUBBER RING 23
42	213987-9	O-RING 25
43	331845-8	CYLINDER
44	213989-5	O-RING 30
45	424171-3	CUSHION RING
46	324949-3	CUSHION GUIDE
47	213185-5	O-RING 12.5
50	213118-0	O RING 12
51	213495-0	O-RING 45
52	450302-8	OUTER SEPARATER

53	213990-0	O-RING 31.5
54	213261-5	O RING 17
55	450301-0	INNER SEPARATER
56	213223-3	O RING 16
57	211099-2	BALL BEARING 689ZZ
58	450300-2	UPPER DRUM CAP
59	213062-1	O RING 9
60	324855-2	ROTER
61	413117-4	BLADE
62	258024-2	SPRING PIN 2.5-5
64	258024-2	SPRING PIN 2.5-5
65	213062-1	O RING 9
66	450299-1	LOWER DRUM CAP
67	213991-8	O-RING 35
68	211099-2	BALL BEARING 689ZZ
70	267215-4	FLAT WASHER 15
71	227186-7	SPUR GEAR 21
72	227187-5	SPUR GEAR 10
73	227185-9	INTERNAL SPUR GEAR 44
74	158512-8	CARRIER COMPLETE
75	211138-8	BALL BEARING 6001LLU



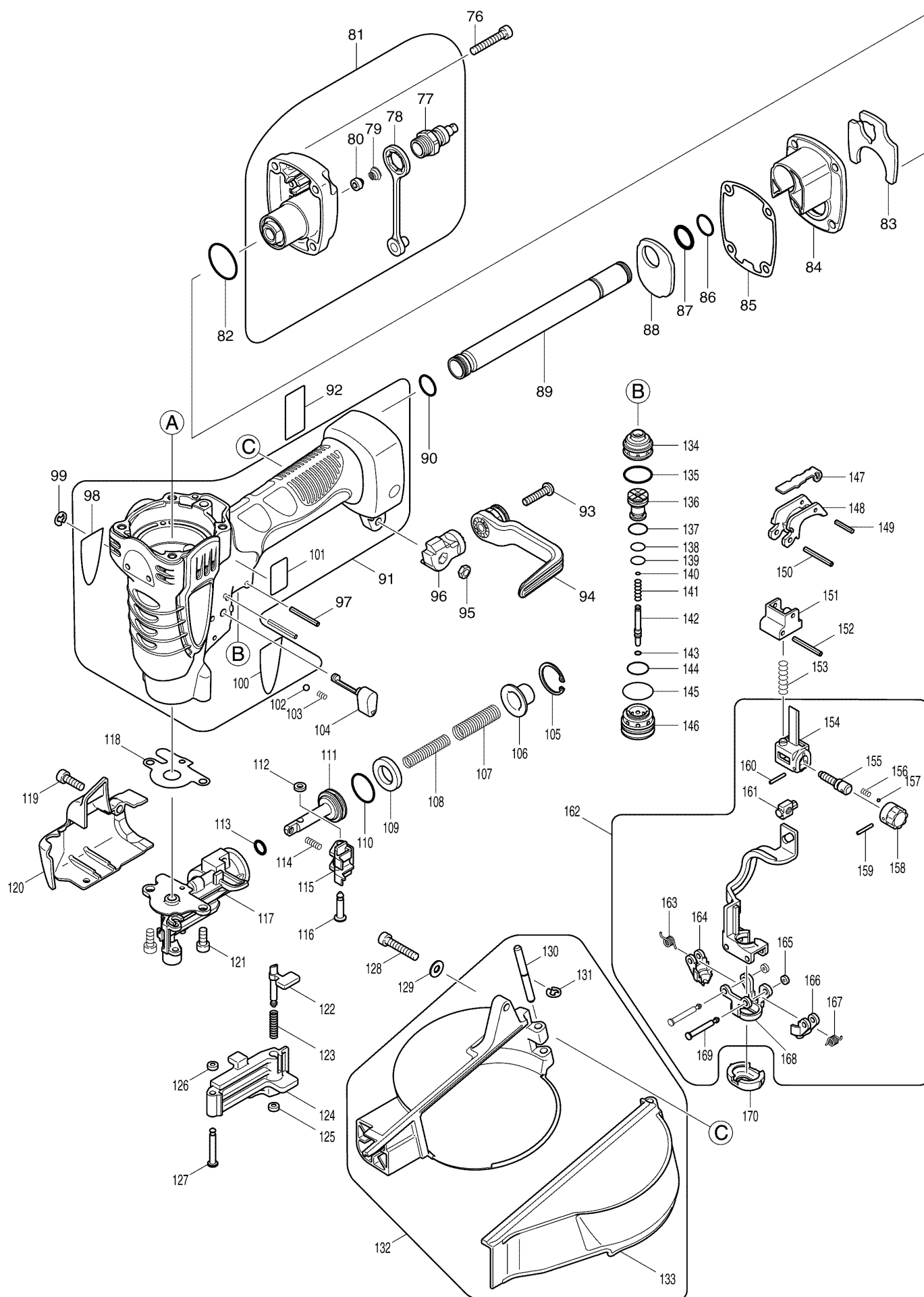
76	922252-2	HEX. SOCKET HEAD BOLT M5X30
77	243106-3	PLUG
78	286281-2	CAP 9
79	233961-1	CONICAL COMPRESSION SPRING5-10
80	424075-9	SHEET PACKING
82	213987-9	O-RING 25
83	413119-0	FILTER
84	450311-7	INLET CAP SPACER
85	162261-1	INLET CAP GASKET
86	213162-7	O RING 14
87	213154-6	O RING 14
88	413124-7	INLET FILTER
89	331803-4	PIPE 13
90	213162-7	O RING 14
92	866088-8	AR410HR NAME PLATE
93	265176-2	PAN.HD.SCREW M5X22
94	419843-3	HOOK
95	931202-6	HEX. NUT M5
96	162255-6	HOOK BASE
97	951075-1	SPRING PIN 3-28
98	819330-6	MAKITA ROGO LABEL R
99	961011-9	STOP RING E-4
100	819331-4	MAKITA ROGO LABEL L
101	816918-3	INDICATION LABEL
102	216008-6	STEEL BALL 4
103	231236-2	COMPRESSION SPRING 3
104	162189-3	LOCK PIN 6
105	962103-7	RETAINING RING R-24
106	345781-2	CUP WASHER
107	234046-6	COMPRESSION SPRING 10
108	234045-8	COMPRESSION SPRING 9
109	262123-4	RUBBER RING 14
110	213971-4	O-RING 19
111	324854-4	FEED PINTON
112	262130-7	URETHANE RING 4
113	213007-9	O RING 8
114	234042-4	COMPRESSION SPRING 3
115	310246-3	FEEDING CLAW
116	268193-1	PIN 4.5
117	158515-2	DRIVER GUIDE COMPLETE
118	162262-9	DRIVER GUIDE GASKET
119	266086-6	HEX. SOCKET HEAD BOLT M5X16
120	451254-6	CONTACT ARM COVER
121	922212-4	HEX. SOCKET HEAD BOLT M5X12
122	310217-0	LOCK PIN
123	234003-4	COMPRESSION SPRING 5
124	419814-0	DOOR
125	262120-0	URETHANE RING 3
126	262120-0	URETHANE RING 3

127	268174-5	PIN 4
128	922246-7	HEX. SOCKET HEAD BOLT M5X28
129	267343-5	FLAT WASHER 5
130	256774-3	PIN 5
131	961011-9	STOP RING E-4
133	158909-1	MAGAZINE CAP COMPLETE
134	450788-6	TRIGGER VALVE GUIDE
135	213275-4	O RING 18
136	450310-9	PILOT VALVE
137	213134-2	O-RING 11
138	213984-5	O-RING 8
139	213985-3	O-RING 8
140	213986-1	O-RING 2
141	234081-4	COMPRESSION SPRING 3
142	325875-9	TRIGGER VALVE STEM
143	213034-6	O RING 3
144	213187-1	O-RING 13.5
145	213310-8	O RING 20
146	450308-6	TRIGGER VALVE CASE
147	344265-7	IDLER
148	450344-2	TRIGGER
149	258004-8	SPRING PIN 2.5-16
150	951075-1	SPRING PIN 3-28
151	450314-1	HOLDER
152	951075-1	SPRING PIN 3-28
153	234044-0	COMPRESSION SPRING 6
154	310247-1	STOPPER
155	324745-9	ADJUSTER SHAFT
156	233491-2	COMPRESSION SPRING 2
157	216031-1	STEEL BALL 2.3
158	158747-1	ADJUSTER COMPLETE
159	951010-9	SPRING PIN 2-14
160	951010-9	SPRING PIN 2-14
161	310201-5	ADJUSTER PIECE
163	233511-2	TORSION SPRING 4
164	310222-7	CHUCK
165	261118-4	URETHAN WASHER
166	310221-9	CHUCK
167	233511-2	TORSION SPRING 4
168	310220-1	CONTACT TOP
169	268173-7	PIN 3.5
170	424005-0	NOSE ADAPTER



1	266431-5	HEX SOCKET HEAD BOLT M5X80
2	816897-5	INDICATION LABEL
3	266430-7	H.S. BUTTON HEAD BOLT M4X8
4	450334-5	KNOB
5	318233-6	TOP CAP
6	233962-9	CONICALCOMPRESSION SPRING10-15
7	213045-1	O-RING 6
8	162263-7	CHANGE VALVE
9	267365-5	FLAT WASHER 19
10	424149-6	REAR CUSHION
11	213373-4	O RING 22
12	424072-5	SEAL RING
13	234079-1	COMPRESSION SPRING 4
14	213496-8	O-RING 54
15	331851-3	CYLINDER STAY
16	213145-7	O RING 47
17	213143-1	O RING 40
18	450306-0	HEAD VALVE
19	213144-9	O-RING 45
20	262146-2	RUBBER RING 16
21	213265-7	O RING 17
22	213275-4	O RING 18
23	262145-4	RUBBER RING 16
24	324951-6	PISTON CAP
25	424151-9	REAR CUSHION
26	213140-7	O-RING 11
28	325592-1	MAIN PISTON
29	268227-0	PIN 3
30	213026-5	O RING 7
31	162260-3	TOP CAP GASKET
32	318859-4	TOP CAP SPACER
33	162260-3	TOP CAP GASKET
34	424073-3	CYLINDER SEAL
35	450304-4	OUTER CYLINDER
36	213496-8	O-RING 54
37	213497-6	O-RING 31.5
38	450303-6	SEPARATER
39	213495-0	O-RING 45
40	213495-0	O-RING 45
41	262140-4	RUBBER RING 23
42	213987-9	O-RING 25
43	331845-8	CYLINDER
44	213989-5	O-RING 30
45	424171-3	CUSHION RING
46	324949-3	CUSHION GUIDE
47	213185-5	O-RING 12.5
50	213118-0	O RING 12
51	213495-0	O-RING 45
52	450302-8	OUTER SEPARATER

53	213990-0	O-RING 31.5
54	213261-5	O RING 17
55	450301-0	INNER SEPARATER
56	213223-3	O RING 16
57	211099-2	BALL BEARING 689ZZ
58	450300-2	UPPER DRUM CAP
59	213062-1	O RING 9
60	324855-2	ROTER
61	413117-4	BLADE
62	258024-2	SPRING PIN 2.5-5
64	258024-2	SPRING PIN 2.5-5
65	213062-1	O RING 9
66	450299-1	LOWER DRUM CAP
67	213991-8	O-RING 35
68	211099-2	BALL BEARING 689ZZ
70	267215-4	FLAT WASHER 15
71	227186-7	SPUR GEAR 21
72	227187-5	SPUR GEAR 10
73	227185-9	INTERNAL SPUR GEAR 44
74	158512-8	CARRIER COMPLETE
75	211138-8	BALL BEARING 6001LLU



76	922252-2	HEX. SOCKET HEAD BOLT M5X30
77	243106-3	PLUG
78	286281-2	CAP 9
79	233961-1	CONICAL COMPRESSION SPRING5-10
80	424075-9	SHEET PACKING
82	213987-9	O-RING 25
83	413119-0	FILTER
84	450311-7	INLET CAP SPACER
85	162261-1	INLET CAP GASKET
86	213162-7	O RING 14
87	213154-6	O RING 14
88	413124-7	INLET FILTER
89	331803-4	PIPE 13
90	213162-7	O RING 14
92	866088-8	AR410HR NAME PLATE
93	265176-2	PAN.HD.SCREW M5X22
94	419843-3	HOOK
95	931202-6	HEX. NUT M5
96	162255-6	HOOK BASE
97	951075-1	SPRING PIN 3-28
98	819330-6	MAKITA ROGO LABEL R
99	961011-9	STOP RING E-4
100	819331-4	MAKITA ROGO LABEL L
101	816918-3	INDICATION LABEL
102	216008-6	STEEL BALL 4
103	231236-2	COMPRESSION SPRING 3
104	162189-3	LOCK PIN 6
105	962103-7	RETAINING RING R-24
106	345781-2	CUP WASHER
107	234046-6	COMPRESSION SPRING 10
108	234045-8	COMPRESSION SPRING 9
109	262123-4	RUBBER RING 14
110	213971-4	O-RING 19
111	326115-8	FEED PISTON
112	262130-7	URETHANE RING 4
113	213007-9	O RING 8
114	234042-4	COMPRESSION SPRING 3
115	310246-3	FEEDING CLAW
116	268193-1	PIN 4.5
117	158515-2	DRIVER GUIDE COMPLETE
118	162262-9	DRIVER GUIDE GASKET
119	266086-6	HEX. SOCKET HEAD BOLT M5X16
120	451254-6	CONTACT ARM COVER
121	922212-4	HEX. SOCKET HEAD BOLT M5X12
122	310217-0	LOCK PIN
123	234003-4	COMPRESSION SPRING 5
124	419814-0	DOOR
125	262120-0	URETHANE RING 3
126	262120-0	URETHANE RING 3

127	268174-5	PIN 4
128	922246-7	HEX. SOCKET HEAD BOLT M5X28
129	267343-5	FLAT WASHER 5
130	256774-3	PIN 5
131	961011-9	STOP RING E-4
133	158909-1	MAGAZINE CAP COMPLETE
134	450788-6	TRIGGER VALVE GUIDE
135	213275-4	O RING 18
136	450310-9	PILOT VALVE
137	213134-2	O-RING 11
138	213984-5	O-RING 8
139	213985-3	O-RING 8
140	213986-1	O-RING 2
141	234081-4	COMPRESSION SPRING 3
142	325875-9	TRIGGER VALVE STEM
143	213034-6	O RING 3
144	213187-1	O-RING 13.5
145	213310-8	O RING 20
146	450308-6	TRIGGER VALVE CASE
147	344265-7	IDLER
148	450344-2	TRIGGER
149	258004-8	SPRING PIN 2.5-16
150	951075-1	SPRING PIN 3-28
151	450314-1	HOLDER
152	951075-1	SPRING PIN 3-28
153	234044-0	COMPRESSION SPRING 6
154	310247-1	STOPPER
155	324745-9	ADJUSTER SHAFT
156	233491-2	COMPRESSION SPRING 2
157	216031-1	STEEL BALL 2.3
158	158747-1	ADJUSTER COMPLETE
159	951010-9	SPRING PIN 2-14
160	951010-9	SPRING PIN 2-14
161	310201-5	ADJUSTER PIECE
163	233511-2	TORSION SPRING 4
164	310222-7	CHUCK
165	261118-4	URETHAN WASHER
166	310221-9	CHUCK
167	233511-2	TORSION SPRING 4
168	310220-1	CONTACT TOP
169	268173-7	PIN 3.5
170	424005-0	NOSE ADAPTER