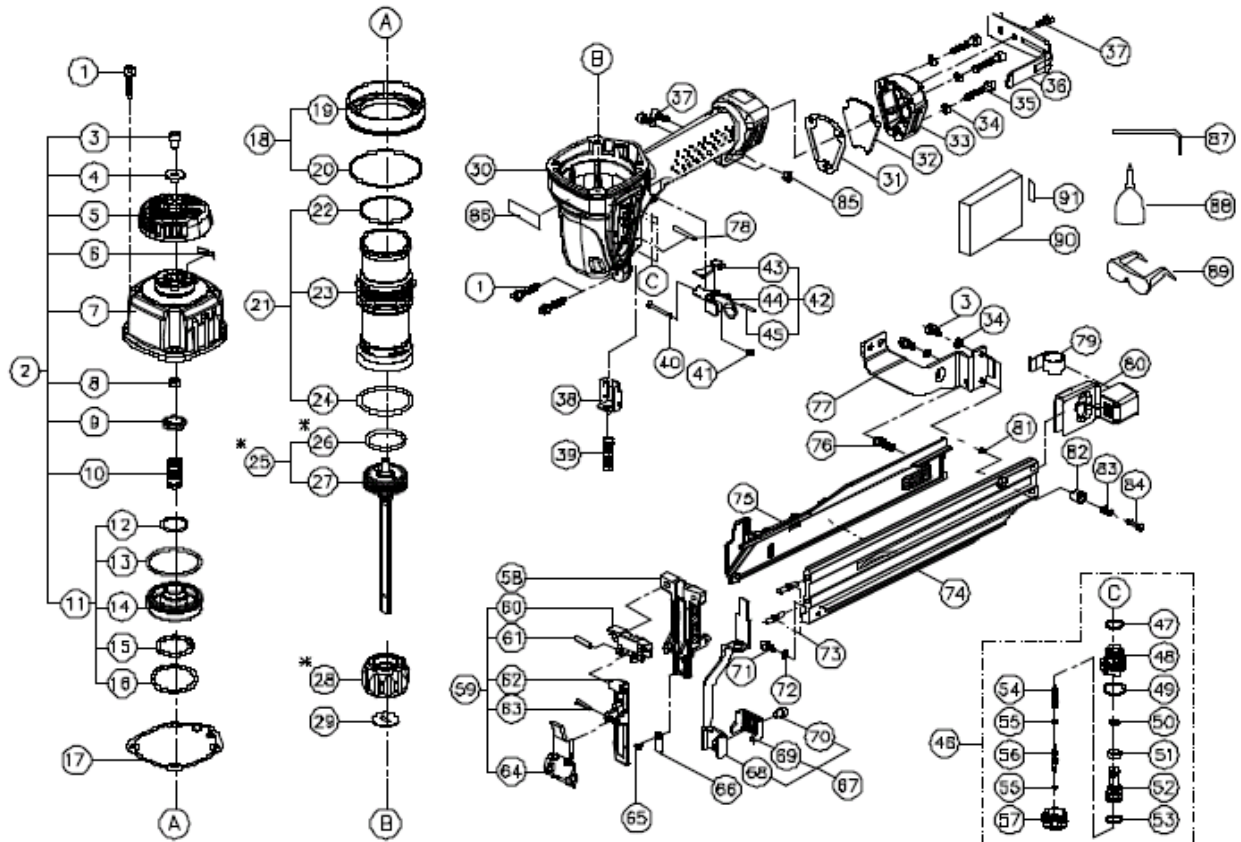




04 - 2010
AT1150A
7/16" MEDIUM CROWN STAPLER 16G



* Repair Kit

Item No	Type	Ref	Ref P	Part No	Description	Qty	Unit
1				B0000-0301	SCREW SET 5X25	6	PC.
2				B0300-3431	TOP CAP SET	1	SET
		INC.			Item No. 3 - 11		
3				A0000-1131	SCREW 5X10	3	PC.
4				A0005-1271	FLAT WASHER	1	PC.
5				A0304-0611	EXHAUST COVER	1	PC.
6				A0105-0081	LEAF SPRING	1	PC.
7				A0301-1221	TOP CAP	1	PC.
8				A0004-0001	HEX. NUT M5	1	PC.
9				A0311-0631	SEAL AIR	1	PC.
10				A0100-2391	COMPRESSION SPRING	1	PC.
11				B0300-3441	DISC VALVE SET	1	SET
		INC.			Item No. 12 - 16		
12				A0200-2121	O-RING 20.8X2.4	1	PC.
13				A0200-1701	O-RING 47.3X2.62	1	PC.
14				A0308-0591	DISC VALVE	1	PC.
15				A0200-4131	O-RING 30X4	1	PC.
16				A0200-4121	O-RING 41.7X3.5	1	PC.
17				A0205-0571	TOP CAP GASKET	1	PC.
18				B0300-3451	SPACER SET	1	SET
		INC.			Item No. 19, 20		
19				A0800-0861	SPACER "POM"	1	PC.
20				A0200-1011	O-RING 64X2	1	PC.
21				B0300-3461	CYLINDER SET	1	SET
		INC.			Item No. 22-24		
22				A0200-2231	O-RING 45X2	1	PC.
23				A0303-0831	CYLINDER	1	PC.
24				A0200-3821	O-RING 44.7X3.5	1	PC.
25				B0600-1831	PISTON UNIT	1	SET
		INC.			Item No. 26,27		
26				A0200-2921	O-RING 33.8X3.5	1	PC.
27				B0600-2361	DRIVER COMPLETE	1	PC.
28				A0309-0751	BUMPER	1	PC.
29				A0310-0671	NOZZLE	1	PC.
30				K0400-0631	HOUSING COMPLETE	1	PC.
		INC.		A0401-1611	MAIN BODY	1	PC.
		INC.		A0204-1391	GRIP	1	PC.
		INC.		A0919-4721	CAUTION LABEL	1	PC.
30A				A0316-0301	HOUSING BUMPER R	1	PC.
30B				A0316-0291	HOUSING BUMPER L	1	PC.
31				A0205-0551	INLET CAP GASKET	1	PC.
32				A0203-0151	INLET FILTER	1	PC.
33				A0306-0811	INLET CAP	1	PC.
34				A0005-0031	WASHER #5X1.2t	5	PC.
35				A0000-0161	SCREW 5X30	3	PC.
36				A0316-0311	HOOK	1	PC.
37				A0000-0061	SCREW 5*12	3	PC.
38				A0712-1421	HOLDER	1	PC.
39				A0100-2371	SPRING	1	PC.
40				A0006-0732	TRIGGER PIN	1	PC.
41				A0005-0311	PIN RETAINER 5.5X2	1	PC.
42				B0500-1371	TRIGGER ASS'Y(DUAL-ACTION)	1	SET
		INC.			Item No. 43 - 45	1	SET
43				A0501-0551	TRIGGER, INNER	1	PC.

Item No	Type	Ref	Ref P	Part No	Description	Qty	Unit
44				A0500-0831	TRIGGER	1	PC.
45				A0011-0251	SPRING PIN 2.5X16	1	PC.
46				B0500-1351	TRIGGER VALVE SET	1	SET
		INC.			Item No. 47 - 57	1	SET
47				A0200-2111	O-RING 13.8X1.9	1	PC.
48				A0503-0391	TRIGGER VALVE GUIDE "POM"	1	PC.
49				A0200-2071	O-RING 17.8X1.9	1	PC.
50				A0200-4061	O-RING 5.5X1.8	1	PC.
51				A0200-2471	O-RING 7.59X2.62	1	PC.
52				A0504-0641	PILOT VALVE	1	PC.
53				A0200-4071	O-RING 12.1X1.7	1	PC.
54				A0100-1301	COMPRESSION SPRING	1	PC.
55				A0200-3891	O-RING 2.5X1.5	2	PC.
56				A0504-0621	TRIGGER VALVE STEM	1	PC.
57				A0503-0671	TRIGGER VALVE CASE	1	PC.
58				A0713-0791	DRIVER GUIDE	1	PC.
59				B0700-5111	DRIVER GUIDE COVER SET	1	SET
		INC.			Item No. 58, 60 - 64		
60				A0719-0981	STOPPER	1	PC.
61				A0006-0671	PIN	1	PC.
62				A0713-0801	DOOR	1	PC.
63				A0011-0601	SPRING PIN 3X18	1	PC.
64				B0800-0341	CLICK LEVER SET	1	PC.
65				A0000-1451	SCREW M3X6	1	PC.
66				A0708-0571	PLATE	1	PC.
67				B0700-5101	CONTACT ARM SET	1	SET
68				A0711-2401	CONTACT ARM	1	PC.
69				A0714-0491	SAFETY ELEMENT	1	PC.
70				A0000-0331	SCREW 5X6	1	PC.
71				A0000-0231	SCREW 4X12	1	PC.
72				A0005-0561	WASHER 4X8X0.5	1	PC.
73				A0006-1481	PIN	2	PC.
74				K0700-5601	MAGAZINE COMPLETE	1	PC.
		INC.		A0702-0971	MAGAZINE	1	PC.
		INC.		A0919-5611	DECORATION LABEL	1	PC.
75				K0700-5581	MAGAZINE COVER COMPLETE	1	PC.
		INC.		A0700-2011	MAGAZINE COVER	1	PC.
		INC.		A0919-5571	CAUTION LABEL	1	PC.
		INC.		A0919-5561	CAUTION LABEL	1	PC.
		INC.		A0919-5541	WARNING LABEL	1	PC.
76				A0100-0241	COMPRESSION SPRING	1	PC.
77				A0706-1521	SUPPORT	1	PC.
78				A0011-0151	SPRING PIN 3X28	4	PC.
79				A0102-0151	SPRING	1	PC.
80				A0707-1921	PUSHER	1	PC.
81				A0005-0291	PIN RETAINER 6X2.9	1	PC.
82				A0719-0991	RETAINER SEAT	1	PC.
83				A0100-2461	SPRING	1	PC.
84				A0007-0621	RETAINER	1	PC.
85				A0004-0021	NYLON NUT M5	2	PC.
87				A0913-0011	ALLEN WRENCH	1	PC.
88				A0907-0001	OIL POT	1	PC.
89				A0908-0171	SAFETY GOGGLES	1	PC.