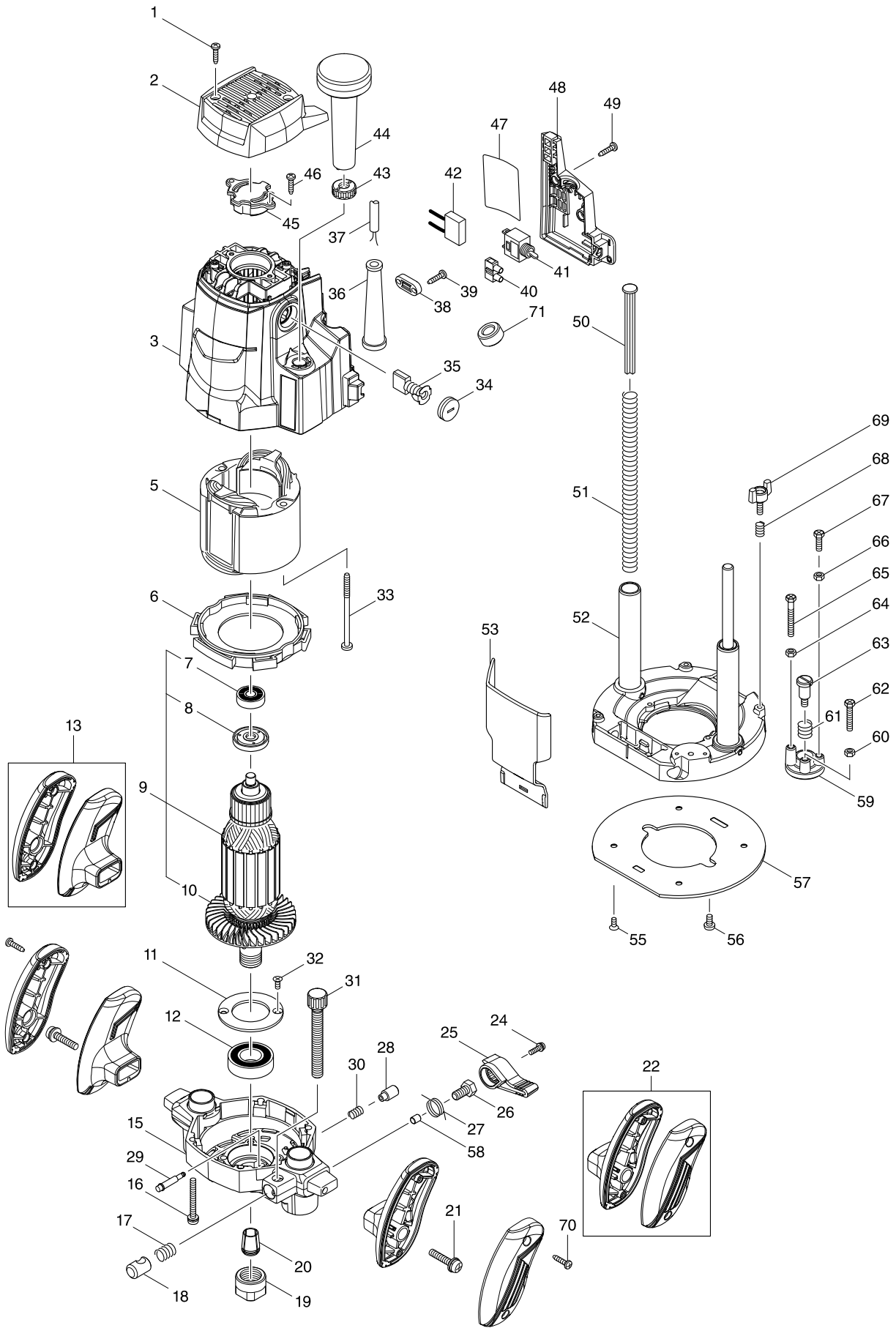


Model No. M3600 ROUTER



Model No. M3600 ROUTER

Item	Parts No.	Description	I/C	QTY	N/O	Opt. 1	Opt. 2	NOTE
001	266326-2	TAPPING SCREW 4X18		2				
002	454025-0	TOP COVER		1				
C10	643564-7	BRUSH HOLDER		2				
C20	816811-1	SCALE LABEL		1				
003A	143575-7	MOTOR HOUSING COMPLETE		1				
003B	143591-9	MOTOR HOUSING COMPLETE		1				
005	596379-0	FIELD ASS'Y 240V		1				
C10	654237-7	RING TERMINAL		2				
C20	654502-4	CONNECTOR P-2		2				
006	418486-8	BAFFLE PLATE		1				
007	211381-9	BALL BEARING 629ZZ		1				
008	681666-1	INSULATION WASHER		1				
009	517884-4	ARMATURE ASS'Y 240V		1				
D10		INC. 7,8,10						
010	240069-4	FAN 83		1				
011	285711-0	BEARING RETAINER 50		1				
012	211335-6	BALL BEARING 6004ZZ		1				
013A	187512-1	GRIP L SET		1				
013B	183C93-1	GRIP L SET		1				
015	141868-6	MOTOR BRACKET COMPLETE		1				
016	911268-2	PAN HEAD SCREW M5X45		4				
017	233397-4	COMPRESSION SPRING 11		1				
018	324424-9	HALF NUT		1				
019	763629-0	COLLET NUT		1				
020	763622-4	COLLET CONE 1/2"		1				
021	911353-1	PAN HEAD SCREW M6X30		2				
022A	187515-5	GRIP R SET		1				
022B	183C94-9	GRIP R SET		1				
024	265099-4	PAN HEAD SCREW M4X14		1				
025	454033-1	LOCK LEVER		1				
026	266335-1	SET BOLT M8X16		1				
027	231670-6	TORSION SPRING 16		1				
028	286270-7	CAP 11		1				
029	256482-6	SHOULDER PIN 6		1				
030	233396-6	COMPRESSION SPRING 7		1				
031	265759-8	THUMB SCREW M10X80		1				
032	265135-6	+ COUNTERSUNK HEAD SCREW M4X		2				
033	266328-8	TAPPING SCREW 5X80		2				
034	643700-5	BRUSH HOLDER CAP 7-18		2				
035	191953-5	CARBON BRUSH CB-203		1				
036	682540-6	CORD GUARD 9.3-90		1				
037	695454-0	POWER SUPPLY CORD 1.0-2-2.0		1				
038	687124-5	STRAIN RELIEF		1				
039	266326-2	TAPPING SCREW 4X18		2				
040	654532-5	TERMINAL BLOCK 1P		1				
041	651425-7	SWITCH STL115ADT		1				
042	645190-8	NOISE SUPPRESSOR		1				
043	418484-2	NYLON NUT M10		1				

