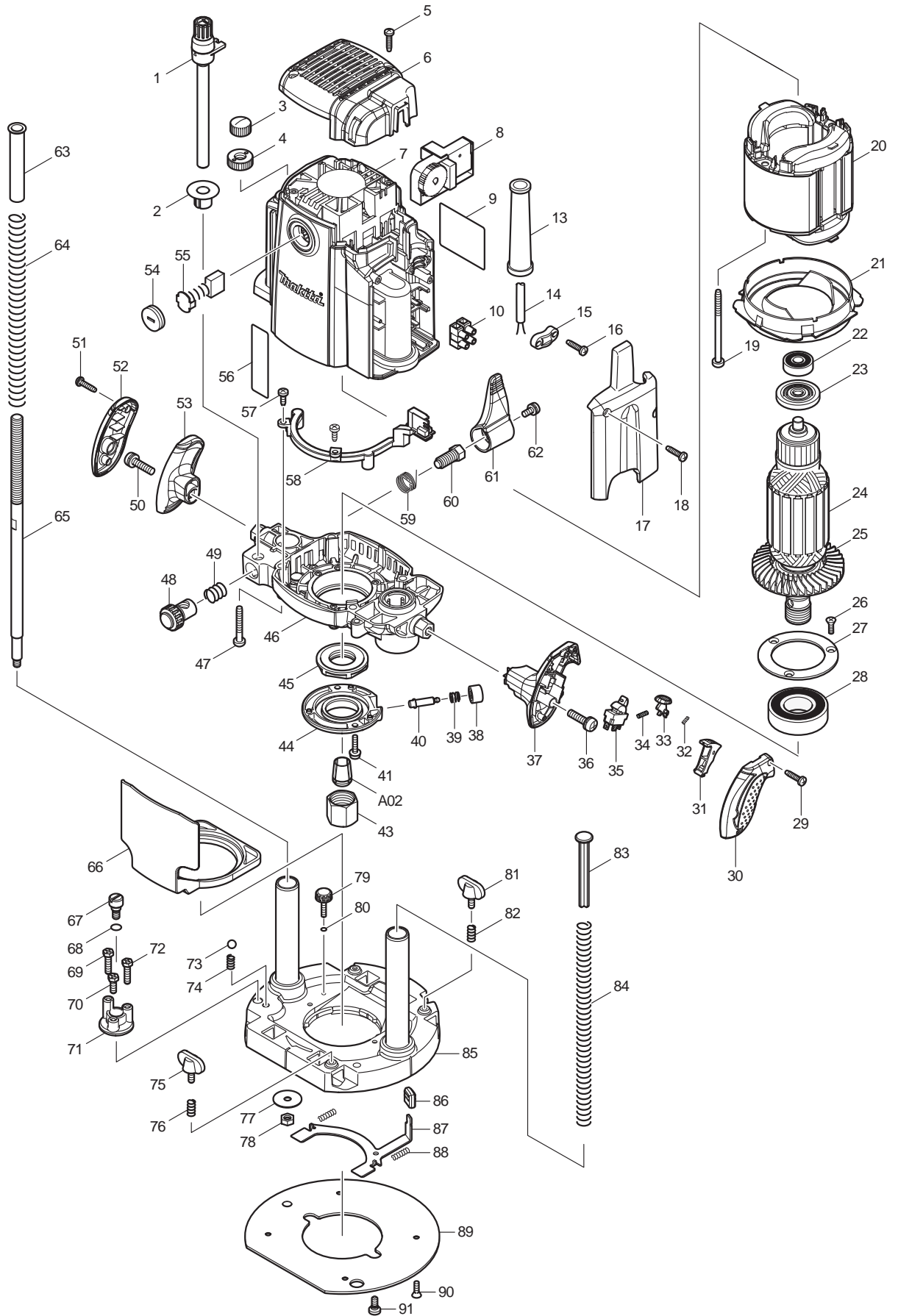




02 - 2010  
RP2301FC  
3 1/2 HP 1/2" ROUTER



Item No	Type	Ref	Part No	Description	Qty	Unit
1			125542-4	THUMB SCREW M10X115 ASS'Y	1	PC.
2			450946-4	DEPTH POINTER	1	PC.
3			252643-6	WING NUT M10	1	PC.
4			410129-8	NYLON NUT M10	1	PC.
5			265995-6	TAPPING SCREW 4X18	2	PC.
6			450947-2	REAR COVER	1	PC.
7			140003-3	MOTOR HOUSING COMPLETE	1	PC.
		INC.	643707-1	BRUSH HOLDER	2	PC.
		INC.	638648-4	SUPPORT UNIT	1	PC.
		INC.	816922-2	SCALE PLATE	1	PC.
8			631858-2	CONTROLLER	1	PC.
9			866381-0	NAME PLATE F/RP2301FC	1	PC.
10			654531-7	TERMINAL BLOCK 2P	1	PC.
13			682505-8	CORD GUARD 10-90	1	PC.
14			664463-0	CORD W/PLUG 2P-14-2.5M, SJ	1	PC.
15			687052-4	STRAIN RELIEF	1	PC.
16			265995-6	TAPPING SCREW 4X18	2	PC.
17			450949-8	COVER	1	PC.
18			265995-6	TAPPING SCREW 4X18	2	PC.
19			266059-9	TAPPING SCREW 5X75	2	PC.
20			636011-5	FIELD 115V	1	PC.
21			450944-8	BUFFLE PLATE	1	PC.
22			211092-6	BALL BEARING 629DDW	1	PC.
23			681631-0	INSULATION WASHER	1	PC.
24			517810-3	ARMATURE ASS'Y 100-115V	1	PC.
		INC.		Item No. 22, 23, 25	1	PC.
25			240112-9	FAN 80	1	PC.
26			251295-0	COUNTERSUNK HEAD SCREW M4X14 W/ADHESIVE	3	PC.
27			285731-4	BEARING RETAINER 60	1	PC.
28			211380-1	BALL BEARING 6205DDW	1	PC.
29			265995-6	TAPPING SCREW 4X18	2	PC.
30			450937-5	GRIP COVER R	1	PC.
31			450940-6	SWITCH LEVER	1	PC.
32			233024-3	COMPRESSION SPRING 4	1	PC.
33			450941-4	LOCK OFF BUTTON	1	PC.
34			231372-4	COMPRESSION SPRING 5	1	PC.
35			651430-4	SWITCH	1	PC.
36			911343-4	PAN HEAD SCREW M6X25	1	PC.
37			450936-7	GRIP R	1	PC.
38			450942-2	PUSH BUTTON	1	PC.
39			233072-2	COMPRESSION SPRING 8	1	PC.
40			268234-3	COLLARED PIN 6	1	PC.
41			911133-5	PAN HEAD SCREW M4X18	2	PC.
43			763674-5	COLLET NUT	1	PC.
44			318382-9	RETAINER COVER	1	PC.
45			285849-1	RETAINER	1	PC.
46			158972-4	MOTOR BRACKET COMPLETE	1	PC.
47			266012-5	TAPPING SCREW 5X35	4	PC.
48			153476-1	HALF NUT COMPLETE	1	PC.
49			231231-2	COMPRESSION SPRING 12	1	PC.
50			911343-4	PAN HEAD SCREW M6X25	1	PC.
51			265995-6	TAPPING SCREW 4X18	2	PC.
52			450939-1	GRIP COVER L	1	PC.

Item No	Type	Ref	Part No	Description	Qty	Unit
53			450938-3	GRIP L	1	PC.
54			643700-5	BRUSH HOLDER CAP 7-18	2	PC.
55	1		191953-5	CARBON BRUSH CB-203 (2PCS/SET) (W/O ORIGIN)	1	SET
	2		194991-6	CARBON BRUSH CB203 2PC/SET (W/ ORIGIN)	1	SET
56			816926-4	INDICATION LABEL	1	PC.
57			266026-4	TAPPING SCREW BIND CT 4X12	2	PC.
58			631862-1	LED CIRCUIT	1	PC.
59			233538-2	TORSION SPRING 15	1	PC.
60			266015-9	SET BOLT M10	1	PC.
61			450950-3	LOCK LEVER	1	PC.
62			911213-7	PAN HEAD SCREW M5X12	1	PC.
63			450943-0	SILENT POLE	1	PC.
64			234106-4	COMPRESSION SPRING 13	1	PC.
65			325652-9	SCREW M10	1	PC.
66			450953-7	TIP DEFLECTOR	1	PC.
67			251467-7	- FLAT HEAD SCREW M6	1	PC.
68			213030-4	O RING 8	1	PC.
69			265587-1	+HEX. BOLT M5X20	1	PC.
70			265586-3	+HEX. BOLT M5X14	1	PC.
71			315931-3	STOPPER	1	PC.
72			265587-1	+HEX. BOLT M5X20	1	PC.
73			216009-4	STEEL BALL 7.1	1	PC.
74			231419-4	COMPRESSION SPRING 5	1	PC.
75			265720-5	THUMB SCREW M5X14	1	PC.
76			231240-1	COMPRESSION SPRING 7	1	PC.
77			253783-3	FLAT WASHER 6	1	PC.
78			931303-0	HEX. NUT M6	1	PC.
79			265774-2	THUMB SCREW M4X19	1	PC.
80			213022-3	O RING 3	1	PC.
81			265720-5	THUMB SCREW M5X14	1	PC.
82			231240-1	COMPRESSION SPRING 7	1	PC.
83			417252-0	POLE	1	PC.
84			234105-6	COMPRESSION SPRING 11	1	PC.
85			158973-2	BASE COMPLETE	1	PC.
86			424176-3	CAP 14	1	PC.
87			346032-6	LOCK PLATE	1	PC.
88			233105-3	COMPRESSION SPRING 4	2	PC.
89			450951-1	BASE PLATE	1	PC.
90			912112-6	COUNTERSUNK HEAD SCREW M4X10	4	PC.
91			266016-7	SET BOLT M5X10	2	PC.
100			652014-1	PAN HEAD SCREW M4X8(FOR SWITCH)	3	PC.
101			654038-3	INSULATED TERMINAL FT1.25-M4	3	PC.
102			654510-5	INSULATED CONNECTOR 5.5-SD	3	PC.
200			849944-7	CARTON	1	PC.

#### **ACCESSORIES**

- See catalogue or visit [www.makita.ca](http://www.makita.ca) for more optional accessories -

A01			158980-5	KNOB 55 COMPLETE	1	PC.
A02			763622-4	COLLET CONE 1/2"	1	PC.
A03			763803-0	COLLET SLEEVE FOR 1/4" BIT	1	PC.
	Opt.		763805-6	COLLET SLEEVE FOR 3/8" BIT	1	PC.
A04			781030-7	WRENCH 24	1	PC.

Item No	Type	Ref	Part No	Description	Qty	Unit
A05			123022-4	TRIMMER GUIDE ASS'Y	1	PC.
	INC.		342427-1	PLATE HOLDER	1	PC.
	INC.		941101-4	FLAT WASHER 5	1	PC.
	INC.		942101-7	SPRING WASHER 5	1	PC.
	INC.		924206-5	WING BOLT M5X10	1	PC.
	INC.		163053-1	ROLL	1	PC.
A07			193312-9	STRAIGHT GUIDE, W/MICRO ADJUSTMENT, STEEL	1	PC.
	INC.		193360-8	ROD 7	1	PC.
	INC.		193292-9	ROD 8	1	PC.
	INC.		193359-3	ROD 12	1	PC.
A08			122256-6	GUIDE HOLDER ASSY(USE WITH A09)	1	PC.
A09			342428-9	STRAIGHT GUIDE(USE WITH A08)	1	PC.
A10			252627-4	NUT M30	1	PC.
A11			321492-3	TEMPLET GUIDE ADAPTER 30	1	PC.
A12			193235-1	TEMPLET GUIDE 25	1	PC.
A13			783208-8	HEX. WRENCH 2.5	1	PC.
A14			194368-5	GUIDE RAIL 1400MM	1	PC.
A14			194367-7	GUIDE RAIL 3000MM	1	PC.
A15			194579-2	GUIDE RAIL ADAPTOR	1	PC.
A16			P-80023	DUST NOZZLE SET	1	SET
A17			266491-7	* +PAN HEAD SCREW M6X135(see Notes)	1	PC.
A18			941152-7	* FLAT WASHER 6(see Notes)	1	PC.

\*Item No. A17 & A18: These Screw and Washer are used for Cutting Depth Adjustment when using Router Table purchased in the market. these parts are not coming with tool and not equipped in the tool.

