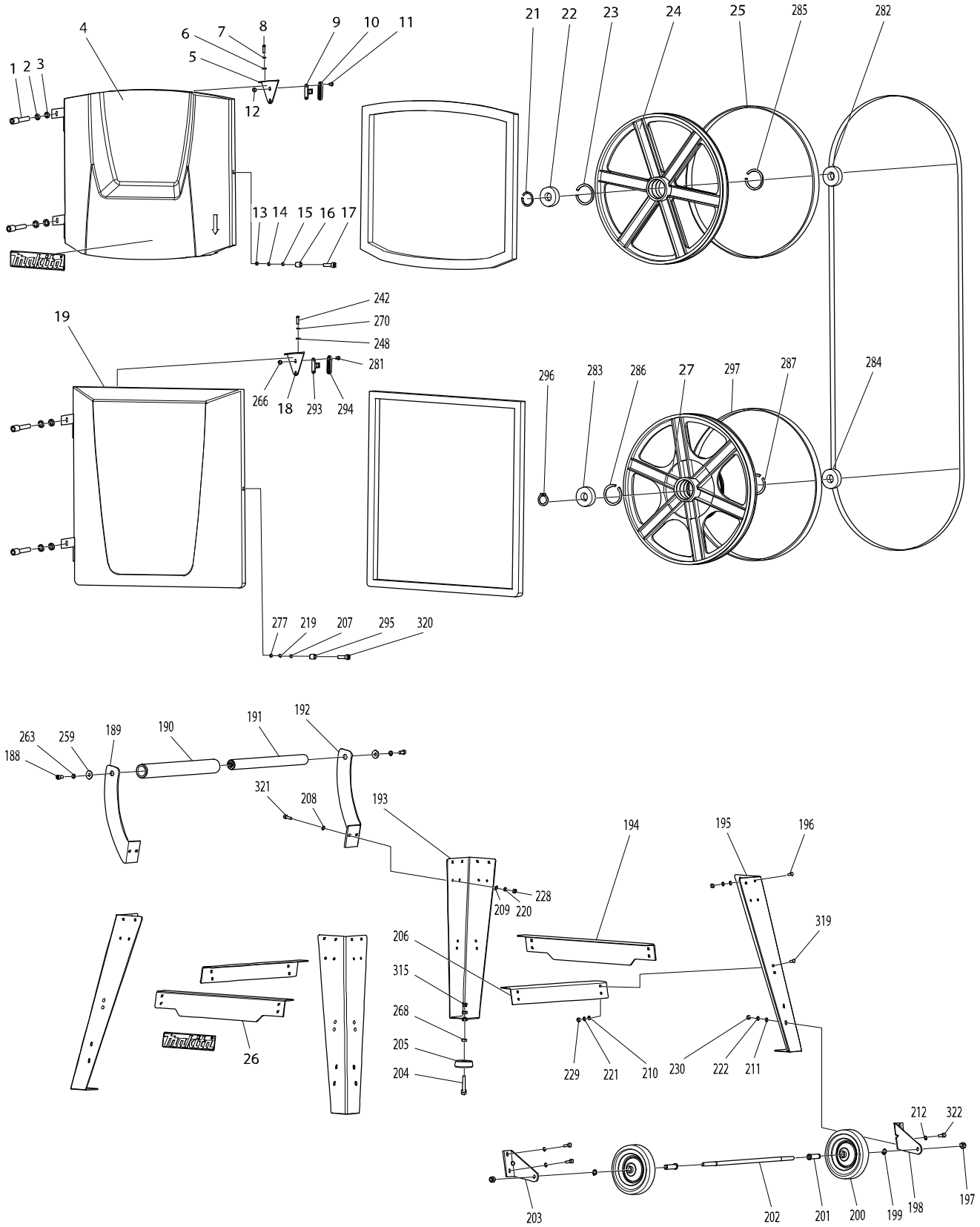


Model No. LB1200F 305MM BAND SAW



Model No. LB1200F 305MM BAND SAW

Item	Parts No.	Description	I/C	Qty	N/O	Opt. 1	Opt. 2	Note
001	JM21000018	HEX.SOCKET HEAD SCREW M5X12		4				
002	JM21000019	SPRING WASHER 5		4				
003	JM21000020	FLAT WASHER 5		4				
004	JM21000021	UP COVER COMPLETE		1				
C10	JM21000022	UP COVER		1	*			
C20	JM21000023	SPONGE		1				
C30	JM21000024	MAKITA LOGO LABEL		1				
005	JM21000025	MICRO SWITCH FIX PANEL A		1				
006	JM21000026	FLAT WASHER 4		2				
007	JM21000027	SPRING WASHER 4		2				
008	JM21000028	CROSS HEAD SUNK SCREW M4X10		2				
009	JM21000029	MICRO SWITCH PRESS PAW		1				
010	JM21000030	MICRO SWITCH BRACKET		1				
011	JM21000031	CROSS HEAD SUNK SCREW M4X12		2				
012	JM21000032	HEX NUT M4		2				
013	JM21000033	LOCKING NUT M6		1				
014	JM21000034	SPRING WASHER 6		1				
015	JM21000035	FLAT WASHER 6		1				
016	JM21000036	SPACER SLEEVE		1				
017	JM21000037	HEX.SOCKET HEAD SCREW M6X20		1				
018	JM21000038	MICRO SWITCH FIX PANEL B		1				
019	JM21000039	LOW COVER COMPLETE		1				
C10	JM21000040	LOW COVER		1	*			
C20	JM21000023	SPONGE		1				
C30	JM21080006	OPERATION LABEL		1				
020	JM21000041	MACHINE BODY COMPLETE		1				
C10	JM21000042	MACHINE BODY		1	*			
C20	JM21080001	OPERATION LABEL		1				
C30	JM21080002	OPERATION LABEL		1				
C40	JM21080003	OPERATION LABEL		1				
C50	JM21080004	OPERATION LABEL		1				
C60	JM21080005	OPERATION LABEL		1				
C70	JM21080007	OPERATION LABEL		1				
C80	JM21080032	NAME PLATE		1				
021	JM21000043	SHAFT RETAINING RING 17		1				
022	JM21000044	BEARING 6203		1				
023	JM21000045	HOLE COLLAR 40		1				
024	JM21000046	UP SAW WHEEL		1				
025	JM21000047	TIRE		1				
026	JM21000048	BEAM A COMPLETE		2				
C10	JM21000049	BEAM A		1	*			
C20	JM21000024	MAKITA LOGO LABEL		1				
027	JM21000050	LOW SAW WHEEL		1				
028	JM21000051	TENSION KNOB		1				
029	JM21000052	SEALING RING		1				
030	JM21000053	TENSION THREAD ROD		1				
031	JM21000054	TENSION POINTER		1				
032	JM21000055	SPRING BASE		1				

Item	Parts No.	Description	I/C	Qty	N/O	Opt. 1	Opt. 2	Note
033	JM21000056	COMPRESSURE SPRING 45		1				
034	JM21000057	FIX BRACKET		1				
035	JM21000058	HEX NUT M8		4				
036	JM21000059	SPRING WASHER 8		4				
037	JM21000060	FLAT WASHER 8		4				
038	JM21000061	FIX SIDE PLATE A		1				
039	JM21000062	HEX. SOCKET HEAD BOLT M8X16		4				
040	JM21000063	HEX NUT M6		2				
041	JM21000064	HEX BOLT M6X35		1				
042	JM21000065	HEX BOLT M6X25		1				
043	JM21000066	FIX SIDE PLATE B		1				
044	JM21000067	THIN NUT M10		3				
045	JM21000068	COLUMN PIN D		1				
046	JM21000069	UP WHEEL SHAFT		1				
047	JM21000070	MOVING BRACKET		1				
048	JM21000071	FIX BRACKET		1				
049	JM21000072	DUST SEAL BAR		1				
050	JM21000073	LIFTING BRACKET COVER		1				
051	JM21000074	RACK		1	*			
051-1	JM21000237	RACK	S	1				
052	JM21000075	LIFTING BRACKET		1	*			
052-1	JM21000238	LIFTING BRACKET	S	1				
053	JM21000076	ELASTIC PIN 4		2	*			
054	JM21000077	LIFTING LABEL		1				
055	JM21000078	ADJUSTABLE SCREW		1				
056	JM21000079	SLIDER B		2				
057	JM21000080	GEAR WHEEL B		1				
058	JM21000081	H.S.BUTTON HEAD SCREW M6X12		2				
059	JM21000082	LIFTING KNOB		1	*			
059-1	JM21000239	LIFTING KNOB	<	1				
060	JM21000083	BIG WASHER 8		1				
061	JM21000084	SPRING		1				
062	JM21000085	LOCKING NUT		1				
063	JM21000086	COLUMN PIN A		1				
064	JM21000087	HEX. SOCKET SET SCREWS M6X10		3				
065	JM21000088	BOLT C		1				
066	JM21000089	LOCKING BRACKET		1				
067	JM21000090	FIX BRACKET B		1				
068	JM21000091	FIX BRACKET A		1				
069	JM21000092	COLUMN PIN B		3				
070	JM21000093	BEARING 6200		3				
071	JM21000094	SLEEVE B		3				
072	JM21000095	H.S.BOLT M5X20		3				
073	JM21000096	COVER		1				
074	JM21000097	CORD PROTECTION TUBE		1				
075	JM21000098	HEX THIN NUT M20		1				
076	JM21000099	ECCENTRIC WHEEL 32		1				
077	JM21000100	ELASTIC PIN 4X32		1				

Model No. LB1200F 305MM BAND SAW

Item	Parts No.	Description	I/C	Qty	N/O	Opt. 1	Opt. 2	Note
078	JM21000101	INSERT B		1				
079	JM21000102	MICRO SWITCH		1				
080	JM21000103	SLEEVE A		1				
081	JM21000104	BRUSH		1				
082	JM21000105	BRUSH SCREW		1				
083	JM21000106	LOCKNUT M8		1				
084	JM21000107	ACCESSORY STORAGE PLATE		1				
085	JM21000108	HEX.SOCKET BUTTON BOLT M4X10		4				
086	JM21000109	HY17 SWITCH		1				
087	JM21000110	LED SWITCH FIX PLATE		1				
088	JM21000111	HY17 SWITCH SHIELD		1				
089	JM21000112	LED SWITCH PANEL		1				
090	JM21000004	SWITCH		1				
091	JM21000221	EARTHING TERMINAL 4		2				
092	JM21000113	STAR WASHER 4		2				
093	JM21000114	HEX NUT M20		1				
094	JM21000115	DUST COLLECTOR PORT B		1				
095	JM21000116	PLATE SPRING		1				
096	JM21000117	HEX BOLT M5X12		2				
097	JM21000118	HEX NUT M5		2				
098	JM21000119	DUST BOX		1				
099	JM21000120	SHAFT RETAINING RING 11		1				
100	JM21000121	BEARING 6001		1				
101	JM21000122	HOLE COLLAR 28		1				
102	JM21000123	TENSION WHEEL		1				
103	JM21000124	TENSION WHEEL SHAFT		1				
104	JM21000125	THREAD ROD		1				
105	JM21000126	ELASTIC PIN 4X16		1				
106	JM21000127	LIMIT CIRCLE		1				
107	JM21000128	HEX.SOCKET SET SCREWS M5X8		1				
108	JM21000129	WHEEL TENSION KNOB A		1				
109	JM21000130	WHEEL TENSION KNOB B		1				
110	JM21000001	MOTOR		1	*			
C10	JM21000228	TERMINAL BOX		1	*			
C20	JM21000244	CAPACITOR HIGH VOLT		1	*			
110-1	JM21000245	MOTOR	<	1				
C10	JM21000228	TERMINAL BOX		1				
C20	JM21000248	CAPACITOR HIGH VOLT	<	1				
111	JM21000131	H.S.BOLT M6X12		1				
112	JM21000132	KEY 5X5X20		1				
113	JM21000133	MOTOR PULLEY		1				
114	JM21000134	HEX BOLT M6X12		4				
115	JM21000135	V BELT		1				
116	JM21000136	TAPPING SCREW ST4.2X14		4				
117	JM21000137	DUST CONNECTOR PORT		1				
118	JM21000138	CORD CLAMP PAW		1				
119	JM21000139	CORD CLAMP BOLT M10		1				
120	JM21000140	H.S. HEAD SCREW M6X25		1	*			

Model No. LB1200F 305MM BAND SAW

Item	Parts No.	Description	I/C	Qty	N/O	Opt. 1	Opt. 2	Note
120-1	JM21000234	H.S. HEAD SCREW M6X35	S	1	*			
120-2	JM21000140	H.S. HEAD SCREW M6X25	X	1				
121	JM21000141	LATCH KNOB		1	*			
121-1	JM21000231	LATCH KNOB	S	1	*			
121-2	JM21000141	LATCH KNOB	X	1				
122	JM21000142	DRIVING WHEEL SHAFT		1				
123	JM21000143	CROSS HEAD SUNK SCREW M4X8		1				
124	JM21000144	MITER POINTER		1				
125	JM21000145	SPACER PLATE		1				
126	JM21000146	SLIDER		1				
127	JM21000147	BOLT B		2				
129	JM21000148	DUST PROTECTOR PLATE		1				
130	JM21000149	PROTECTOR PLATE		1				
132	JM21000150	LOW COVER B		1				
134	JM21000151	FIX BRACKET SLIDER		1				
135	JM21000152	PROTECTOR PLATE A		1				
136	JM21000153	STRAIN & RELIEF		1				
137	JM21000154	LIFTING POINTER		1				
138	JM21000007	CORD AND PLUG		1				
139	JM21000155	TAPPING SCREW ST4.2X8		2				
140	JM21000156	FIX BRACKET C		1				
141	JM21000157	LOW COVER A		1				
142	JM21000158	CROSS HEAD SUNK SCREW M6X10		1				
143	JM21000159	TAPPING SCREW ST3.2X8		2				
144	JM21000160	LED LAMP COVER B		1				
145	JM21000161	LED REFLECT COVER		1				
146	JM21000162	LED LAMP COVER A		1	*			
146-1	JM21000229	LED LIGHT ASSEMBLY	X	1				
147	JM21000163	LED LAMP COVER C		1				
148	JM21000164	SELF TAPPING SCREW ST2.2X8		2				
149	JM21000165	LED CORD PROTECTOR A		1				
150	JM21000166	H.S.BOLT M4X20		3				
151	JM21000167	LED CORD PROTECTOR B		1				
152	JM21000168	SLEEVE		1				
153	JM21000169	CROSS HEAD SUNK SCREW M4X35		1				
154	JM21000170	SLEEVE 8		1				
155	JM21000171	TRANSFORMER LOW COVER		1				
156	JM21000172	TRANSFORMER		1	*			
157	JM21000173	WING NUT M8		1				
158	JM21000174	TRANSFORMER UP COVER		1				
159	JM21000175	TRACKING KNOB		1				
160	JM21000176	SLEEVE C		1				
161	JM21000177	H.S. SET SCREWS M6X10		2				
162	JM21000178	OPERATION HANDLE A		1				
163	JM21000179	SCALE LABEL		1				
164	JM21000180	FRONT RAIL SIDE COVER B		1				
165	JM21000181	WING KNOB C		4				
166	JM21000182	FRONT RAIL A		1				

Model No. LB1200F 305MM BAND SAW

Item	Parts No.	Description	I/C	Qty	N/O	Opt. 1	Opt. 2	Note
167	JM21000183	CONNECTION PIN		3				
168	JM21000184	FRONT RAIL B		1				
169	JM21000185	FRONT RAIL SIDE COVER A		1				
170	JM21000186	CUSHION CAP		1				
171	JM21000187	RUBBER RING PAD		1				
172	JM21000188	H.S. SET SCREW M8X50		1				
173	JM21000189	LIMITED PLATE		1				
174	JM21000190	WORKING TABLE		1				
175	JM21000191	BLADE PROTECTION PLATE		1				
176	JM21000192	CROSS HEAD SUNK SCREW M3X10		2				
178	JM21000193	HEX.SOCKET HEAD SCREW M6X30		1				
179	JM21000194	COMPRESSURE SPRING		1				
180	JM21000195	OPERATION HANDLE B ASSY		1				
181	JM21000196	LOCKING HANDLE BOLT		1				
182	JM21000197	LOCKING HANDLE A		1				
183	JM21000198	H.S.BOLT M8X20		4				
184	JM21000199	WORKING TABLE TURNION		1				
185	JM21000200	GEAR WHEEL A		1				
186	JM21000201	POSITION SLEEVE		1				
187	JM21000202	GEAR SHAFT		1				
188	JM21000203	H.S.BOLT M8		2				
189	JM21000204	HANDLE SUPPORT B		1				
190	JM21000205	HOSE		1				
191	JM21000206	STEEL PIPE ASSEMBLY		1				
192	JM21000207	HANDLE SUPPORT A		1				
193	JM21000208	LEG A		1				
194	JM21000049	BEAM A		2				
195	JM21000209	LEG B		3				
196	JM21000210	SQUARE NECK BOLT M6X16		16				
197	JM21000211	LOCKNUT M10		2				
198	JM21000212	WHEEL SUPPORT B		1				
199	JM21000213	SHAFT RETAINING RING 13		2				
200	JM21000214	WHEEL		2				
201	JM21000215	ROLLER BUSH		2				
202	JM21000216	WHEEL SHAFT		1				
203	JM21000217	WHEEL SUPPORT A		1				
204	JM21000218	HEX BOLT M8X50		1				
205	JM21000219	LEG PAD		1				
206	JM21000220	BEAM B		2				
207	JM21000035	FLAT WASHER 6		1				
208	JM21000035	FLAT WASHER 6		2				
209	JM21000035	FLAT WASHER 6		4				
210	JM21000035	FLAT WASHER 6		32				
211	JM21000035	FLAT WASHER 6		4				
212	JM21000035	FLAT WASHER 6		4				
213	JM21000035	FLAT WASHER 6		2				
214	JM21000035	FLAT WASHER 6		1				
215	JM21000035	FLAT WASHER 6		2				

Model No. LB1200F 305MM BAND SAW

Item	Parts No.	Description	I/C	Qty	N/O	Opt. 1	Opt. 2	Note
216	JM21000035	FLAT WASHER 6		2				
217	JM21000035	FLAT WASHER 6		2				
218	JM21000035	FLAT WASHER 6		4				
219	JM21000034	SPRING WASHER 6		1				
220	JM21000034	SPRING WASHER 6		4				
221	JM21000034	SPRING WASHER 6		32				
222	JM21000034	SPRING WASHER 6		4				
223	JM21000034	SPRING WASHER 6		2				
224	JM21000034	SPRING WASHER 6		2				
225	JM21000034	SPRING WASHER 6		4				
226	JM21000034	SPRING WASHER 6		4				
227	JM21000034	SPRING WASHER 6		1				
228	JM21000063	HEX NUT M6		4				
229	JM21000063	HEX NUT M6		32				
230	JM21000063	HEX NUT M6		4				
231	JM21000063	HEX NUT M6		1				
232	JM21000063	HEX NUT M6		2				
233	JM21000063	HEX NUT M6		2				
234	JM21000063	HEX NUT M6		4				
235	JM21000037	HEX.SOCKET HEAD SCREW M6X20		1				
236	JM21000037	HEX.SOCKET HEAD SCREW M6X20		2				
237	JM21000037	HEX.SOCKET HEAD SCREW M6X20		4				
238	JM21000020	FLAT WASHER 5		3				
239	JM21000020	FLAT WASHER 5		2				
240	JM21000020	FLAT WASHER 5		2				
241	JM21000020	FLAT WASHER 5		3				
242	JM21000028	CROSS HEAD SUNK SCREW M4X10		2				
243	JM21000028	CROSS HEAD SUNK SCREW M4X10		2				
244	JM21000028	CROSS HEAD SUNK SCREW M4X10		2				
245	JM21000028	CROSS HEAD SUNK SCREW M4X10		2				
246	JM21000028	CROSS HEAD SUNK SCREW M4X10		2				
247	JM21000028	CROSS HEAD SUNK SCREW M4X10		2				
248	JM21000026	FLAT WASHER 4		2				
249	JM21000026	FLAT WASHER 4		2				
250	JM21000026	FLAT WASHER 4		2				
251	JM21000026	FLAT WASHER 4		1				
252	JM21000026	FLAT WASHER 4		1				
253	JM21000083	BIG WASHER 8		1				
254	JM21000083	BIG WASHER 8		1				
255	JM21000083	BIG WASHER 8		1				
256	JM21000083	BIG WASHER 8		1				
257	JM21000083	BIG WASHER 8		1				
258	JM21000083	BIG WASHER 8		1				
259	JM21000083	BIG WASHER 8		2				
260	JM21000019	SPRING WASHER 5		2				
261	JM21000019	SPRING WASHER 5		2				
262	JM21000059	SPRING WASHER 8		4				
263	JM21000059	SPRING WASHER 8		2				

Model No. LB1200F 305MM BAND SAW

Item	Parts No.	Description	I/C	Qty	N/O	Opt. 1	Opt. 2	Note
264	JM21000060	FLAT WASHER 8		4				
265	JM21000134	HEX BOLT M6X12		2				
266	JM21000032	HEX NUT M4		2				
267	JM21000032	HEX NUT M4		3				
268	JM21000058	HEX NUT M8		2				
269	JM21000058	HEX NUT M8		1				
270	JM21000027	SPRING WASHER 4		2				
271	JM21000027	SPRING WASHER 4		2				
272	JM21000087	HEX. SOCKET SET SCREWS M6X10		3				
273	JM21000092	COLUMN PIN B		3				
274	JM21000093	BEARING 6200		3				
275	JM21000094	SLEEVE B		3				
276	JM21000095	H.S.BOLT M5X20		3				
277	JM21000033	LOCKING NUT M6		1				
278	JM21000033	LOCKING NUT M6		1	*			
278-1	JM21000033	LOCKING NUT M6	S	2	*			
278-2	JM21000033	LOCKING NUT M6	X	1				
279	JM21000033	LOCKING NUT M6		1				
280	JM21000033	LOCKING NUT M6		1	*			
280-1	JM21000033	LOCKING NUT M6	S	2	*			
280-2	JM21000033	LOCKING NUT M6	X	1				
281	JM21000031	CROSS HEAD SUNK SCREW M4X12		2				
282	JM21000044	BEARING 6203		1				
283	JM21000044	BEARING 6203		1				
284	JM21000044	BEARING 6203		1				
285	JM21000045	HOLE COLLAR 40		1				
286	JM21000045	HOLE COLLAR 40		1				
287	JM21000045	HOLE COLLAR 40		1				
288	JM21000117	HEX BOLT M5X12		2				
289	JM21000118	HEX NUT M5		2				
290	JM21000097	CORD PROTECTION TUBE		1				
291	JM21000097	CORD PROTECTION TUBE		1				
292	JM21000159	TAPPING SCREW ST3.2X8		1				
293	JM21000029	MICRO SWITCH PRESS PAW		1				
294	JM21000030	MICRO SWITCH BRACKET		1				
295	JM21000036	SPACER SLEEVE		1				
296	JM21000043	SHAFT RETAINING RING 17		1				
297	JM21000047	TIRE		1				
298	JM21000055	SPRING BASE		1				
299	JM21000073	LIFTING BRACKET COVER		1				
300	JM21000086	COLUMN PIN A		1				
301	JM21000088	BOLT C		1				
302	JM21000091	FIX BRACKET A		1				
303	JM21000096	COVER		1				
304	JM21000103	SLEEVE A		1				
305	JM21000102	MICRO SWITCH		1				
306	JM21000104	BRUSH		1				
307	JM21000105	BRUSH SCREW		1				

Model No. LB1200F 305MM BAND SAW

Item	Parts No.	Description	I/C	Qty	N/O	Opt. 1	Opt. 2	Note
308	JM21000106	LOCKNUT M8		1				
309	JM21000121	BEARING 6001		1				
310	JM21000122	HOLE COLLAR 28		1				
311	JM21000131	H.S.BOLT M6X12		1				
312	JM21000140	H.S. HEAD SCREW M6X25		1	*			
312-1	JM21000234	H.S. HEAD SCREW M6X35	S	1	*			
312-2	JM21000140	H.S. HEAD SCREW M6X25	X	1				
313	JM21000141	LATCH KNOB		1	*			
313-1	JM21000231	LATCH KNOB	S	1	*			
313-2	JM21000141	LATCH KNOB	X	1				
314	JM21000143	CROSS HEAD SUNK SCREW M4X8		1				
315	JM21000173	WING NUT M8		1				
316	JM21000134	HEX BOLT M6X12		2				
317	JM21000032	HEX NUT M4		1				
318	JM21000106	LOCKNUT M8		1				
319	JM21000210	SQUARE NECK BOLT M6X16		16				
320	JM21000037	HEX.SOCKET HEAD SCREW M6X20		1				
321	JM21000037	HEX.SOCKET HEAD SCREW M6X20		4				
322	JM21000037	HEX.SOCKET HEAD SCREW M6X20		4				
323	JM21000035	FLAT WASHER 6		1				
324	JM21000240	HEX SOCKET HEAD BOLT M4X8	S	2				
325	JM21000026	FLAT WASHER 4	S	2				
326	JM21000027	SPRING WASHER 4	S	2				
327	JM21000241	SPONGE	S	2				
328	JM21010003	LIFTING BRACKET ASSEMBLY		1				
D10		INC. 51,324,325,326,329						
329	JM21010002	LIFTING BRACKET COMPLETE		1				
D10		INC. 52,54,327						
330	JM21000232	LOCK KNOB	S	1	*			
331	JM21000233	COMPRESSION SPRING	S	1	*			
332	JM21000235	ELASTIC PIN 4X20	S	1	*			
333	JM21000035	FLAT WASHER 6	S	1	*			
334	JM21000236	FLAT WASHER 6	S	1	*			
335	JM21000232	LOCK KNOB	S	1	*			
336	JM21000233	COMPRESSION SPRING	S	1	*			
337	JM21000235	ELASTIC PIN 4X20	S	1	*			
338	JM21000035	FLAT WASHER 6	S	1	*			
339	JM21000236	FLAT WASHER 6	S	1	*			
A01	JM21080230	RIP FENCE ASSY		1				
C10	JM21010004	PRESS PAW WITH RUBBER		1				
A02	JM21080260	MITER GUAGE ASSY		1				
A03	JM21080290	PUSH STICK		1				
A04	JM21080291	HEX WRENCH 4		1				
A05	JM21080292	HEX WRENCH 5		1				
A06	JM21080293	DUST COLLECTOR PORT A		1				
A07	JM21080294	SAW BLADE 6		1				
A08	JM21080295	SAW BLADE 13		1				
A09	JM21080296	SAW BLADE 16		1				

