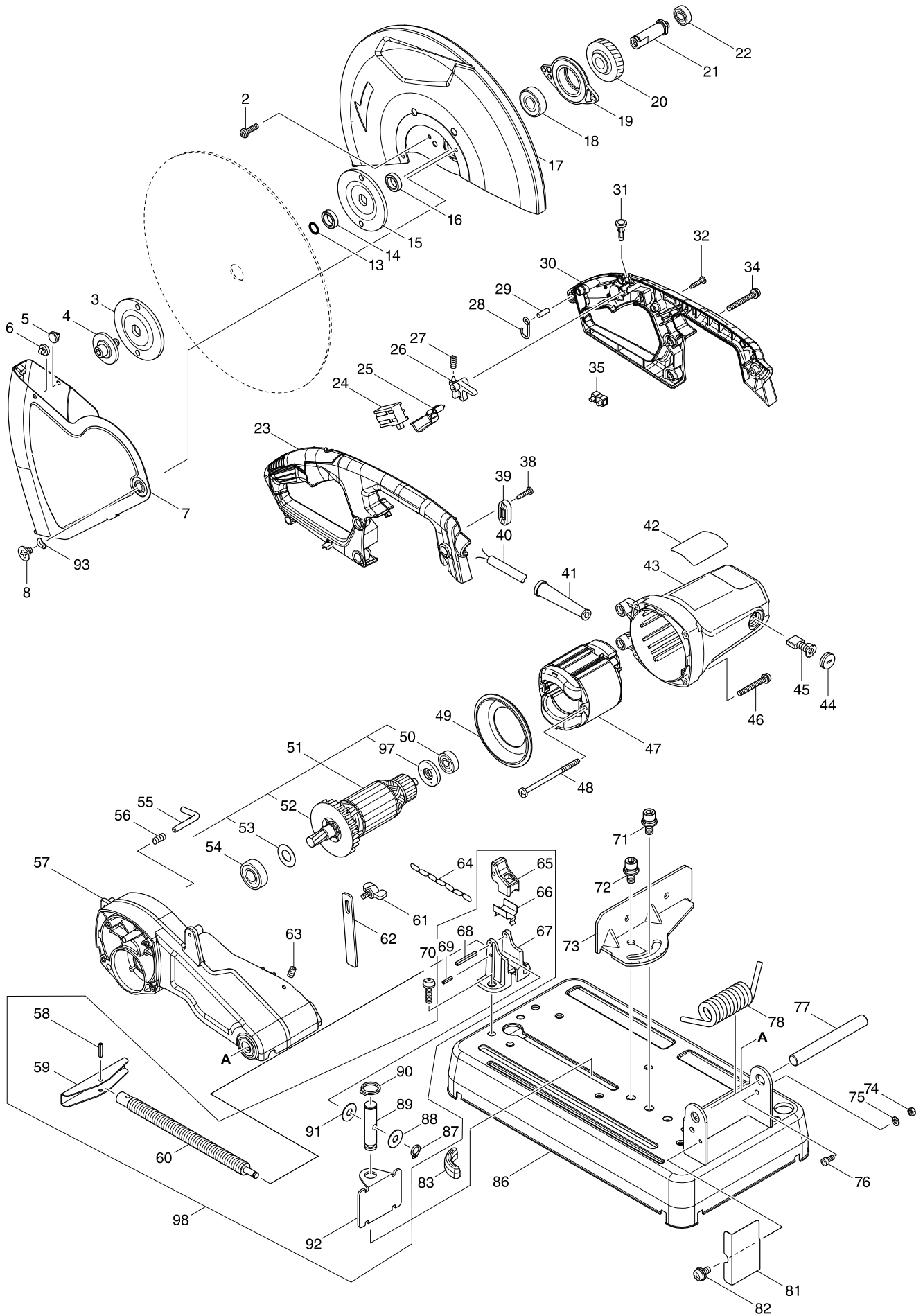


# Model No. M2401 355MM PORTABLE CUT OFF



# Model No. M2401 355MM PORTABLE CUT OFF

Item	Parts No.	Description	I/C	Qty	N/O	Opt. 1	Opt. 2	Note
002	265122-5	PAN HEAD SCREW M5X20		4				
003	224299-5	FLANGE 90		1				
004	251498-6	HEX SOCKET HEAD BOLT M10X25		1				
005	416771-3	PLUG		1				
006	416771-3	PLUG		1				
007	161529-2	SAFETY GUIDE		1				
008	265121-7	+ FLAT HEAD SCREW M6		1				
013	213180-5	O RING 14		1				
014	257255-0	RING 17		1				
015	224299-5	FLANGE 90		1				
016	257255-0	RING 17		1				
017	161530-7	SAFETY COVER		1				
018	210155-5	BALL BEARING 6203ZZ		1				
019	316527-3	BEARING BOX		1				
020	221462-1	HELICAL GEAR 43		1				
021	326790-0	SPINDLE		1				
022	210067-2	BALL BEARING 6000ZZ		1				
023	183E49-6	HANDLE SET		1				
D10		INC. 30						
024	651067-7	SWITCH		1				
025	418141-2	SWITCH LEVER		1				
026	418139-9	SWITCH LOCK		1				
027	231397-8	COMPRESSION SPRING 4		1				
028	281216-8	HANGER		1				
029	268101-2	PIN 6		1				
030	183E49-6	HANDLE SET		1				
D10		INC. 23						
031	418138-1	SWITCH BUTTON		1				
032	266841-6	TAPPING SCREW 4X18		4				
034	265104-7	PAN HEAD SCREW M5X40		3				
038	266841-6	TAPPING SCREW 4X18		2				
039	687124-5	STRAIN RELIEF		1				
040	692730-3	POWER SUPPLY CORD 1.0-2-2.5		1				
041	682540-6	CORD GUARD 9.3-90		1				
042	852N80-4	M2401 NAME PLATE		1				
043	144054-8	MOTOR HOUSING COMPLETE		1				
044	644802-0	HOLDER CAP		2				
045	191953-5	CARBON BRUSH CB-203		1				
046	265104-7	PAN HEAD SCREW M5X40		4				
047	593949-6	FIELD ASS'Y 240V		1				
048	266328-8	TAPPING SCREW 5X80		2				
049	418143-8	BAFFLE PLATE		1				
050	210070-3	BALL BEARING 6200ZZ		1				
051	513494-5	ARMATURE ASS'Y 240V		1				
D10		INC. 50,52-54,97						
052	240003-4	FAN 80		1				
053	267274-8	FLAT WASHER 15		1				
054	210156-3	BALL BEARING 6202ZZ		1				

# Model No. M2401 355MM PORTABLE CUT OFF

Item	Parts No.	Description	I/C	Qty	N/O	Opt. 1	Opt. 2	Note
055	322665-1	STOPPER		1				
056	233372-0	COMPRESSION SPRING 7		1				
057	144057-2	GEAR HOUSING COMPLETE		1				
C10	263029-9	RUBBER PIN 6		1				
058	951163-4	SPRING PIN 5-20		1				
059	271431-2	HANDLE 120		1				
060	326802-9	WISE SCREW		1				
061	265754-8	THUMB SCREW M6X12		1				
062	347084-0	STOPPER PLATE		1				
063	251961-9	H.S.SET SCREW(FLAT POINT)M6X10		2				
064	282015-1	CHAIN		1				
065	313114-9	WISE NUT		1				
066	347083-2	PLATE		1				
067	319474-7	SCREW GUIDE		1				
068	951175-7	SPRING PIN 5-36		1				
069	951110-5	SPRING PIN 4-16		1				
070	265125-9	PAN HEAD SCREW M8X30		2				
071	251499-4	H. S. HEAD BOLT M10X25 WITH WG		1				
072	251499-4	H. S. HEAD BOLT M10X25 WITH WG		1				
073	345315-1	GUIDE PLATE		1				
074	931302-2	HEX. NUT M6		1				
075	942151-2	SPRING WASHER 6		1				
076	922312-0	HEX. SOCKET HEAD BOLT M6X12		1				
077	326801-1	ROD 16		1				
078	232325-6	TORSION SPRING 20		1				
081	345313-5	SPARK GUARD		1				
082	265144-5	PAN HEAD SCREW M6X12		1				
083	421834-2	CUSHION		3				
086	161528-4	BASE		1				
087	961004-6	RETAINING RING S-8		1				
088	267257-8	FLAT WASHER 8		1				
089	256334-1	SHOULDER PIN 10-16		1				
090	961056-7	RETAINING RING S-16		1				
091	267257-8	FLAT WASHER 8		1				
092	347085-8	WISE PLATE		1				
093	253903-9	WAVE WASHER 6		1				
097	681630-2	INSULATION WASHER		1				
098	135841-6	WISE ASS'Y		1				
D10		INC. 58-60,65-69,87-92						
A01	783023-0	HEX. WRENCH 8		1				
A02	A-89545	CUTTING WHEEL 14"		1				