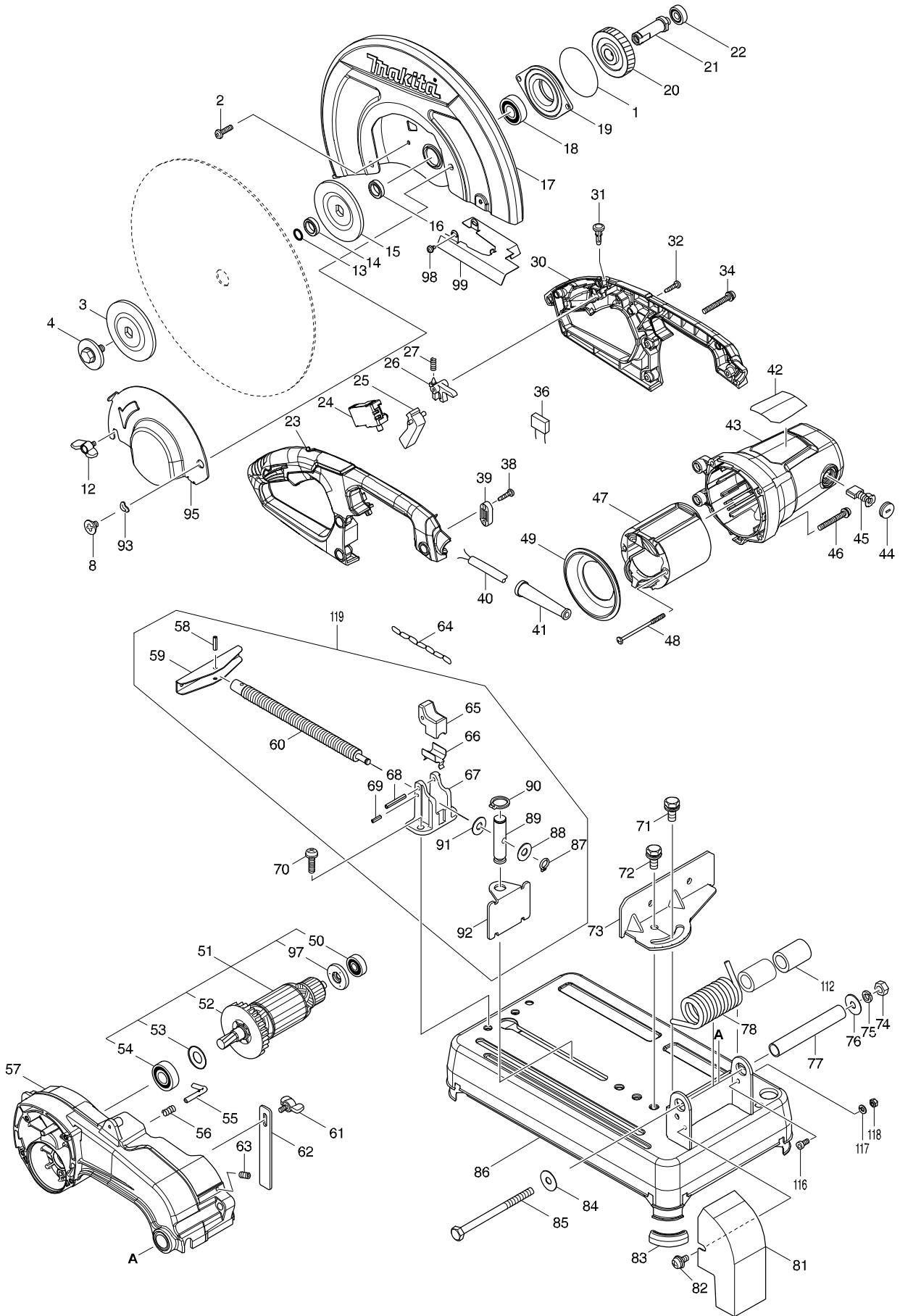


# Model No. LW1401 355MM PORTABLE CUT-OFF



## MODEL: LW1401 355MM PORTABLE CUT-OFF

Item	Sub	Parts No.	Parts Description	Qty
1		213858-0	O-RING 65	1
2		265122-5	PAN HEAD SCREW M5X20	4
3		224299-5	FLANGE 90	1
4		251680-7	HEX. BOLT M10X25	1
5		418142-0	PLUG	1
6		418142-0	PLUG	1
7		161398-1	SAFETY GUIDE	1
8		265121-7	FLAT HEAD SCREW	1
12		265754-8	THUMB SCREW M6X12	1
13		213180-5	O RING 14	1
14		257255-0	RING 17	1
15		224299-5	FLANGE 90	1
16		257255-0	RING 17	1
17		161400-0	SAFETY COVER	1
18		211282-1	BALL BEARING 6203ZZ	1
19		319393-7	BEARING BOX	1
20		227811-0	HELICAL GEAR 50	1
21		324321-9	SPINDLE	1
22		210067-2	BALL BEARING 6000ZZ	1
23		183C14-3	HANDLE SET INC. 30	1
24		650716-3	SWITCH TGC31B	1
25		418141-2	SWITCH LEVER	1
26		418139-9	SWITCH LOCK	1
27		231397-8	COMPRESSION SPRING 4	1
28		281216-8	HANGER	1
29		268101-2	PIN 6	1
30		183C14-3	HANDLE SET INC. 23	1
31		411478-6	SWITCH BUTTON	1
031-1		417113-4	SWITCH BUTTON	1
32		266326-2	TAPPING SCREW 4X18	4
34		265104-7	PAN HEAD SCREW M5X40	3
38		266326-2	TAPPING SCREW 4X18	2
39		687124-5	STRAIN RELIEF	1
40		692506-8	POWER SUPPLY CORD 1.0-2-3.0	1
41		682540-6	CORD GUARD 9.3-90	1
42		851S55-0	LW1401 NAME PLATE	1
43		143463-8	MOTOR HOUSING COMPLETE	1
43	C10	643712-8	BRUSH HOLDER	2
44		643700-5	BRUSH HOLDER CAP 7-18	2
45		191953-5	CARBON BRUSH CB-203	1
46		265104-7	PAN HEAD SCREW M5X40	4

47		593909-8	FIELD ASS'Y 240V	1
47	C10	654197-3	RING TERMINAL	2
47	C20	654502-4	CONNECTOR P-2	2
48		265A13-6	TAPPING SCREW 5X85	2
49		418143-8	BAFFLE PLATE	1
50		210070-3	BALL BEARING 6200ZZ	1
51		513463-6	ARMATURE ASS'Y 220-240V INC. 50,52-54,97	1
52		240164-0	FAN 80	1
53		267714-6	WASHER 15	1
54		211240-7	BALL BEARING 6200ZZ	1
55		324322-7	STOPPER	1
56		233372-0	COMPRESSION SPRING 7	1
57		143464-6	GEAR HOUSING COMPLETE	1
57	C10	263029-9	RUBBER PIN 6	1
057-1		143464-6	GEAR HOUSING COMPLETE	1
057-1	C10	263029-9	RUBBER PIN 6	1
58		951163-4	SPRING PIN 5-20	1
59		272027-2	HANDLE 120	1
60		324323-5	WISE SCREW	1
61		265754-8	THUMB SCREW M6X12	1
62		345310-1	STOPPER PLATE	1
63		251961-9	H.S.SET SCREW(FLAT POINT)M6X10	1
063-1		266321-2	H.S.SET SCREW(FLAT POINT)M6X16	1
64		282015-1	CHAIN	1
65		313114-9	WISE NUT	1
66		345311-9	PLATE	1
67		317662-0	SCREW GUIDE	1
68		951175-7	SPRING PIN 5-36	1
69		951110-5	SPRING PIN 4-16	1
70		265125-9	PAN HEAD SCREW M8X30	2
71		265508-3	HEX.BOLT M10X25	1
72		265508-3	HEX.BOLT M10X25	1
73		345315-1	GUIDE PLATE	1
74		252183-4	HEX.NUT M10-17	1
75		942251-8	SPRING WASHER 10	1
76		253197-6	FLAT WASHER 10	1
77		331648-0	PIPE 20-128	1
78		233633-8	TORSION SPRING 33	1
81		345313-5	SPARK GUARD	1
82		265144-5	PAN HEAD SCREW M6X12	1
83		421834-2	CUSHION	3
84		253197-6	FLAT WASHER 10	1
85		265509-1	HEX.BOLT M10X140	1
86		165352-7	BASE	1

87		961004-6	RETAINING RING S-8	1
88		267257-8	FLAT WASHER 8	1
89		256474-5	SHOULDER PIN 10-16	1
90		961056-7	RETAINING RING S-16	1
91		267257-8	FLAT WASHER 8	1
92		345312-7	WISE PLATE	1
93		253903-9	WAVE WASHER 6	1
95		346969-7	CENTER CAP	1
97		681630-2	INSULATION WASHER	1
112		257390-4	SLEEVE 20	2
116		922311-2	HEX. SOCKET HEAD BOLT M6X12	1
116-1		922312-0	HEX. SOCKET HEAD BOLT M6X12	1
117		942151-2	SPRING WASHER 6	1
118		931302-2	HEX. NUT M6	1
119		135509-4	WISE ASS'Y INC. 58-60,65-69,87-92	1