

SPARE PARTS LIST

MODEL NO. MLT100

ITEM	PART NO.	DESCRIPTION	QTY	NOTE
001	JM27000001	HEX.BOLT M10X35	8	
002	JM27000002	SPRING WASHER 10	4	
003	JM27000003	FLAT WASHER 10	20	
004	JM27000004	CROSS HEAD SELF TAPPING SCREW	26	
005	JM27000005	EXTERIOR HALF HANDLE	2	
006	JM27000006	INTERIOR HALF HANDLE	2	
007	JM27000007	HEX.LOCK NUT M4	2	
008	JM27000008	BOTTOM	1	
009	JM27000009	FLAT WASHER 4	18	
010	JM27000010	LIMITED BRACKET	2	
011	JM27000011	CROSS HEAD SCREW M4X12	10	
012	JM27000012	FIX BRACKET B	1	
013	JM27000013	SPRING WASHER 4	14	
014	JM27000014	FIX FLAT RAIL	1	
015	JM27000015	SLIDING FLAT RAIL	2	
016	JM27000016	CROSS HEAD SCREW M6X10	15	
017	JM27000017	SPRING WASHER 6	18	
018	JM27000018	SLIDING TABLE RACK RAIL	2	
019	JM27000019	FIX BRACKET B	1	
020	JM27000020	SLIDING FLAT RAIL COVER	2	
021	JM27000021	SLIDING RAIL COVER	2	
022	JM27000022	FIX RAIL I	2	
023	JM27000023	SLIDING RAIL	1	
024	JM27000024	FLAT WASHER 6	40	
025	JM27000025	GEAR	1	
026	JM27000026	RIVET 5X9	6	
027	JM27000027	CROSS HEAD SCREW M4X10	8	
028	JM27000028	SHAFT	1	
029	JM27000029	RETAINING RING 6	1	
030	JM27000030	SLIDING LIMITED PLATE	1	
031	JM27000031	GEAR LIMITED C	1	
032	JM27000032	HEX. NUT M6	16	
033	JM27000033	HEX BOLT M6X10	15	
034	JM27000034	CONNECTION NUT	1	
035	JM27000035	SLIDING TABLE	1	
036	JM27000036	SLIDING TABLE COVER	2	
037	JM27000037	SELF TAPPING SCREW ST3.9X8	6	
038	JM27000038	CROSS HEAD SCREW M6X16	4	
039	JM27000039	FIX BRACKET A	2	
040	JM27000040	MAIN TABLE A	1	
041	JM27000042	CROSS HEAD SCREW M5X10	11	
042	JM27000043	LOCK KNOB	4	
043	JM27000044	SLIDING BAR B	2	
044	JM27000045	REAR EXTENSION TABLE	1	
045	JM27000047	BIG FLAT WASHER 5	10	
046	JM27000048	SPRING WASHER 5	16	
047	JM27000049	CROSS HEAD SCREW M5X14	2	
048	JM27000050	SLIDING SLOT	2	
049	JM27000051	LOCK NUT M6	3	
050	JM27000055	WASHER	1	
051	JM27000056	FIX PLATE	2	
052	JM27000057	LEFT GUARD	1	
053	JM27000058	CONNECTION BOLT	1	
054	JM27000059	PIN 4X8	1	
055	JM27000060	WASHER	1	
056	JM27000061	WRENCH	1	

SPARE PARTS LIST

MODEL NO. MLT100

ITEM	PART NO.	DESCRIPTION	QTY	NOTE
057	JM27000062	SIDE PROTECTION PLATE	1	
058	JM27000063	PIN	1	
059	JM27000064	WASHER A	2	
060	JM27000065	RING 10	1	
061	JM27000066	CROSS HEAD SUNK SCREW M4X8	9	
062	JM27000067	TABLE INSERT	1	
063	JM27000068	RIGHT EXTENSION TABLE	1	
064	JM27000069	H.S.BOLT M14X20	2	
065	JM27000070	HEX NUT M8	2	
066	JM27000071	SPRING WASHER 8	5	
067	JM27000072	FLAT WASHER 8	5	
068	JM27000073	SQUARE NECK BOLT M8X25	5	
069	JM27000074	COVER A	2	
070	JM27000075	SUB FRONT RAIL	1	
071	JM27000078	COVER B	2	
072	JM27000079	SLIDING BAR A	2	
073	JM27000082	FRONT RAIL	1	
074	JM27000085	LOCK KNOB A	5	
075	JM27000086	PUSH STICK	1	
076	JM27000087	WRENCH B	2	
077	JM27000088	FIX PLATE	1	
078	JM27000089	PROTECTION PLATE	1	
079	JM27000090	DUST PORT	1	
080	JM27000091	HEX.BOLT M5X65	1	
081	JM27000092	HEX.BOLT M5X55	1	
082	JM27000093	CORD BRACKET	2	
083	JM27000094	CORD PROTECTION TUBE	1	
084	JM27000095	HOOK	2	
085	JM27000096	CROSS HEAD SCREW M5X25	6	
086	JM27000098	BLADE 255X25.4	1	
087	JM27000102	CLAMP PLATE	1	
088	JM27000103	CROSS HEAD SELF TAPPING SCREW	2	
089	JM27000104	HEX.BOLT M10X45	1	
090	JM27000105	CABINET	1	
091	JM27000108	BOTTOM	1	
092	JM27000109	BIG FLAT WASHER 4	12	
093	JM27000110	FRONT PANEL LABEL	1	
094	JM27000111	HEX BOLT M6X16	2	
095	JM27000112	BRACKET B	1	
096	JM27000113	LOGO LABEL	1	
097	JM27000114	CROSS HEAD SELF TAPPING SCREW	4	
098	JM27000115	SOFT START DEVICE COVER	1	
100	JM27000117	CROSS HEAD SELF TAPPING SCREW	2	
101	JM27000118	STRAIN & RELIEF	2	
102	JM27000119	SWITCH COVER	1	
103	JM27000120	SWITCH BOX	1	
104	JM27000121	OVERLOAD SWITCH	1	
105	JM27000122	OVERLOAD SWITCH LABEL	1	
106	JM27000123	OVERLOAD SWITCH NUT	1	
107	JM27000124	MAGNETIC SWITCH A (HV)	1	
108	JM27000136	CROSS HEAD SCREW M4X14	2	
109	JM27000137	HEX.NUT M6X12	3	
110	JM27000138	LOCK HANDLE	1	
111	JM27000139	LOCK BOLT	1	
112	JM27000140	TORSION SPRING	1	
113	JM27000141	BUSH	1	

SPARE PARTS LIST

MODEL NO. MLT100

ITEM	PART NO.	DESCRIPTION	QTY	NOTE
114	JM27000142	RACK BRACKET	1	
115	JM27000143	SUPPORT PLATE	1	
116	JM27000144	CROSS HEAD SUNK SCREW M5X8	4	
117	JM27000145	TUBE	1	
118	JM27000146	KNOB	1	
119	JM27000147	MOTOR(230V)	1	
120	JM27000148	BRACKET	1	
121	JM27000149	H.S.BOLT M6X20	6	
122	JM27000150	RIVING KNIF	1	
123	JM27000151	FIX PLATE	1	
124	JM27000152	SLIDING PLATE	2	
125	JM27000153	FRAME	1	
126	JM27000154	COVER	1	
127	JM27000155	FLAT WASHER 5	21	
128	JM27000156	CROSS HEAD SCREW M5X20	4	
129	JM27000157	BAR	2	
130	JM27000158	ROD	1	
131	JM27000159	KEY 4X8	2	
132	JM27000160	ADJUSTING BRACKET	1	
133	JM27000161	H.S.BOLT M5X20	2	
134	JM27000162	BEVEL GEAR	2	
135	JM27000163	RETAINING RING 10	2	
136	JM27000164	POINTER	1	
137	JM27000165	ROD	1	
138	JM27000166	WHEEL	1	
139	JM27000167	CROSS HEAD SCREW M5X12	2	
140	JM27000168	KNOB	1	
141	JM27000169	SCREW	1	
142	JM27000170	PROTECTION PLATE	1	
143	JM27000171	INNER FLANGE	1	
144	JM27000172	H.S.BOLT WITH GLUE M6X12	1	
145	JM27000173	PLATE	2	
146	JM27000174	CROSS HEAD SCREW M3X25	2	
147	JM27000175	BIG WASHER 3	2	
148	JM27000176	HEX LOCK NUT M3	2	
149	JM27000177	SELF TAPPING SCREW ST3.9X10	1	
150	JM27000178	PROTECTION PLATE	1	
151	JM27000179	OUTER FLANGE	1	
152	JM27000180	NUT M16	1	
153	JM27000181	PROTECTION PLATE	1	
154	JM27000182	PLATE	1	
155	JM27000183	NUT M5	1	
156	JM27000184	SUPPORT BRACKET	1	
157	JM27000185	COVER	3	
158	JM27000186	HANDLE	1	
159	JM27000187	PIN 3X30	1	
160	JM27000188	PIN	1	
161	JM27000189	ECCENTRIC WHEEL	1	
162	JM27000190	FRICTION PAD	1	
163	JM27000191	PIN	1	
164	JM27000192	BRACKET	1	
165	JM27000193	PRESSION SPRING	1	
166	JM27000194	PAW	1	
167	JM27000195	LOCK PLATE	1	
168	JM27000196	SCREW	1	
169	JM27000197	POINTER	1	

SPARE PARTS LIST

MODEL NO. MLT100

ITEM	PART NO.	DESCRIPTION	QTY	NOTE
170	JM27000198	CROSS HEAD SCREW M4X8	1	
171	JM27000199	BRACKET	1	
172	JM27000200	INSERT	1	
173	JM27000201	RIP FENCE	1	
174	JM27000203	LOCK NUT	4	
175	JM27000204	SQUARE NECK BOLT M6X60	2	
176	JM27000205	INSERT	1	
177	JM27000206	SLIDING BAR	1	
178	JM27000207	POINTER	1	
179	JM27000208	FLAT WASHER 3	1	
180	JM27000209	CROSS HEAD SCREW M3X8	1	
181	JM27000210	WING NUT	2	
182	JM27000211	BIG WASHER 6	5	
183	JM27000212	WASHER	1	
184	JM27000213	LOCK KNOB	1	
185	JM27000214	SCALE LABEL	1	
186	JM27000215	HANDLE	1	
187	JM27000216	PIN	1	
188	JM27000217	THREAD ROD	1	
189	JM27000218	LINK	1	
190	JM27000219	PLATE	1	
191	JM27000220	INSERT	2	
192	JM27000221	FENCE	1	
193	JM27000222	SQUARE NECK BOLT M6X30	2	
194	JM27000223	MITER GUAGE	1	
195	JM27000225	PAD	1	
196	JM27000226	SCREW	1	
197	JM27000227	HANDLE	1	
198	JM27000228	PIN 3X25	1	
199	JM27000229	ARM	1	
200	JM27000230	BUSH	1	
201	JM27000231	H.S.BOLT M6X10	1	
202	JM27000232	PIN	1	
203	JM27000233	RETAINING RING 20	1	
204	JM27000234	BEARING 9	1	
205	JM27000235	PRESSION SPRING	1	
206	JM27000236	CROSS HEAD SUNK SCREW M4X28	3	
207	JM27000237	HANDLE	1	
208	JM27000238	COVER	2	
209	JM27000239	ROD	1	
210	JM27000240	BEARING 17	1	
211	JM27000241	H.S.BOLT M6X16	1	
212	JM27000242	HANDLE	1	
213	JM27000243	HANDLE	1	
214	JM27000244	HEX NUT M4	3	
215	JM27000245	HEX NUT M10	4	
216	JM27000246	HEX BOLT M10X55	4	
217	JM27000247	BASE	1	
218	JM27000248	KNOB	1	
219	JM27000249	PIN	1	
220	JM27000250	CONNECTOR	1	
221	JM27000251	CHAIN	1	
222	JM27000252	PAD	3	
223	JM27000253	BOLT	4	
224	JM27000254	BUSH	2	
225	JM27000255	HEX.NUT M10	4	

SPARE PARTS LIST

MODEL NO. MLT100

ITEM	PART NO.	DESCRIPTION	QTY	NOTE
226	JM27000256	BRACKET	1	
227	JM27000257	HANDLE	2	
228	JM27000258	HANDLE	2	
229	JM27000259	HEX.BOLT M8X40	2	
230	JM27000260	CONNECTION PLATE	2	
231	JM27000261	BIG WASHER 8	4	
232	JM27000262	LOCK NUT M8	2	
233	JM27000263	NUT	1	
234	JM27000264	FEET	1	
235	JM27000265	BUSH	2	
236	JM27000266	WHEEL	2	
237	JM27000268	RIVET 6X10	4	
238	JM27000269	BRACKET	2	
239	JM27000270	SCREW	2	
240	JM27000271	SPRING	2	
241	JM27000272	BUSH	2	
242	JM27000273	STEP	2	
243	JM27000274	RETAINING RING 24	1	
244	JM27000275	NUT	1	
245	JM27000276	STAND	1	
246	JM27000278	CORD 2	1	
247	JM27000292	CROSS HEAD SCREW M5X8	2	
248	JM27000293	COVER	1	
249	JM27000294	BRUSH COVER	2	
250	JM27000295	CARBON BRUSH 2PCS	1	
251	JM27000296	BRUSH HOLDER	2	
252	JM27000297	MOTOR HOUSE	1	
253	JM27000299	CLAMP PLATE	1	
254	JM27000361	ABSORB RING	1	
255	JM27000301	BEARING 6001-2Z	1	
256	JM27000302	STATOR(230V)	1	
257	JM27000305	CROSS HEAD SELF TAPPING SCREW	2	
258	JM27000306	ROTOR(230V)	1	
259	JM27000312	BEARING 6201-2Z	1	
260	JM27000313	RING	1	
261	JM27000314	GEAR BOX	1	
262	JM27000316	CROSS HEAD SCREW M5X35	4	
263	JM27000317	CROSS HEAD SUNK SCREW M5X16	3	
264	JM27000318	GEAR COVER	1	
265	JM27000319	BEARING 6003-2Z	1	
266	JM27000320	RETAINING RING 35	1	
267	JM27000321	OUTER SHAFT	1	
268	JM27000323	KEY 5X6.5X16	1	
269	JM27000324	GEAR	1	
270	JM27000325	RETAINING RING 16	1	
271	JM27000326	BUSH	1	
272	JM27000327	SLIDING TABLE PAD	2	
273	JM27000328	TRIANGLE PLATE	1	
274	JM27000329	WRENCH	1	
275	JM27000330	HOOK	1	
276	JM27000331	PROTECTION PLATE	1	
277	JM27000332	CLAMP	2	
278	JM27080019	NAME PLATE	1	
284	JM27000339	H.S.BOLT WITH GLUE M6X20	2	
285	JM27000340	BLADE GUARD	1	
286	JM27000341	CROSS HEAD SELF TAPPING SCREW	4	

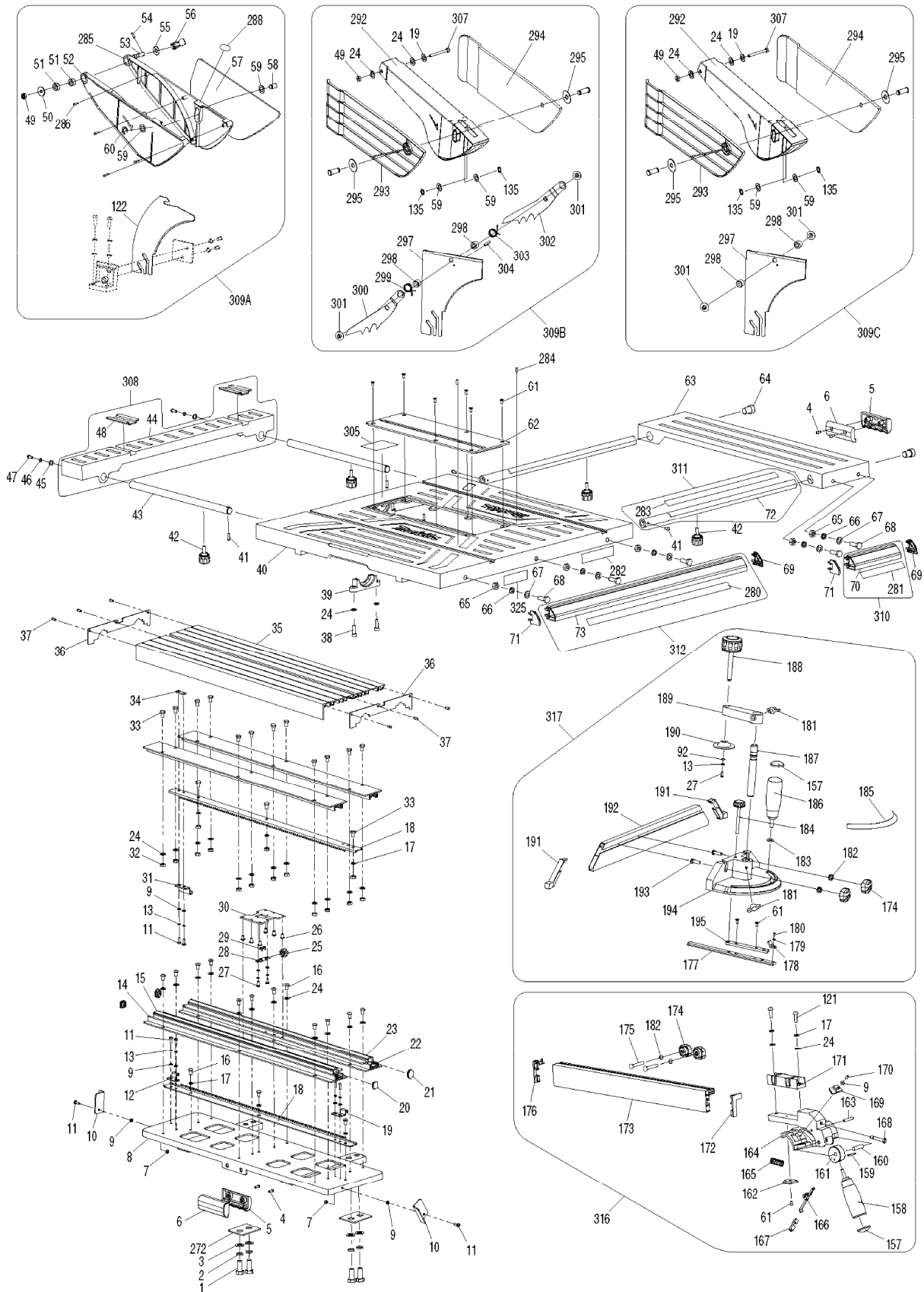
SPARE PARTS LIST

MODEL NO. MLT100

ITEM	PART NO.	DESCRIPTION	QTY	NOTE
287	JM27080020	WARNING LABEL	1	
288	JM27080060	WARNING LABEL	1	
289	JM27080062	WARNING LABEL	1	
290	JM27080061	LOGO LABEL	1	
308	JM27000046	REAR EXTENSION TABLE ASSEMBLY	1	
309	JM27000052	UP BLADE GUARD ASSEMBLY (EU TY	1	
310	JM27000076	SUB FRONT RAIL ASSEMBLY (MMSCA	1	
311	JM27000080	SLIDING BAR A ASSEMBLY (MMSCAL	1	
312	JM27000083	FRONT RAIL ASSEMBLY (MMSCALE)	1	
313	JM27000101	BLADE INNER LING 25.4	1	
314	JM27000106	CABINET ASSEMBLY(A)	1	
315	JM27000130	SWITCH ASSY 4 SWA SOX CAX	1	
316	JM27000202	RIP FENCE ASSEMBLY	1	
317	JM27000224	MITER GUAGE ASSEMBLY	1	
318	JM27000267	WHEEL ASSEMBLY	1	
319	JM27000298	MOTOR HOUSE ASSEMBLY	1	
320	JM27000309	ROTOR(230V)ASSEMBLY	1	
321	JM27000315	GEAR BOX ASSEMBLY	1	
322	JM27000322	OUTER SHAFT ASSEMBLY	1	
323	JM27000359	STAND WARNING LABEL	1	
324	JM27000360	STAND OPERATION LABEL	1	
326	JM27000300		1	

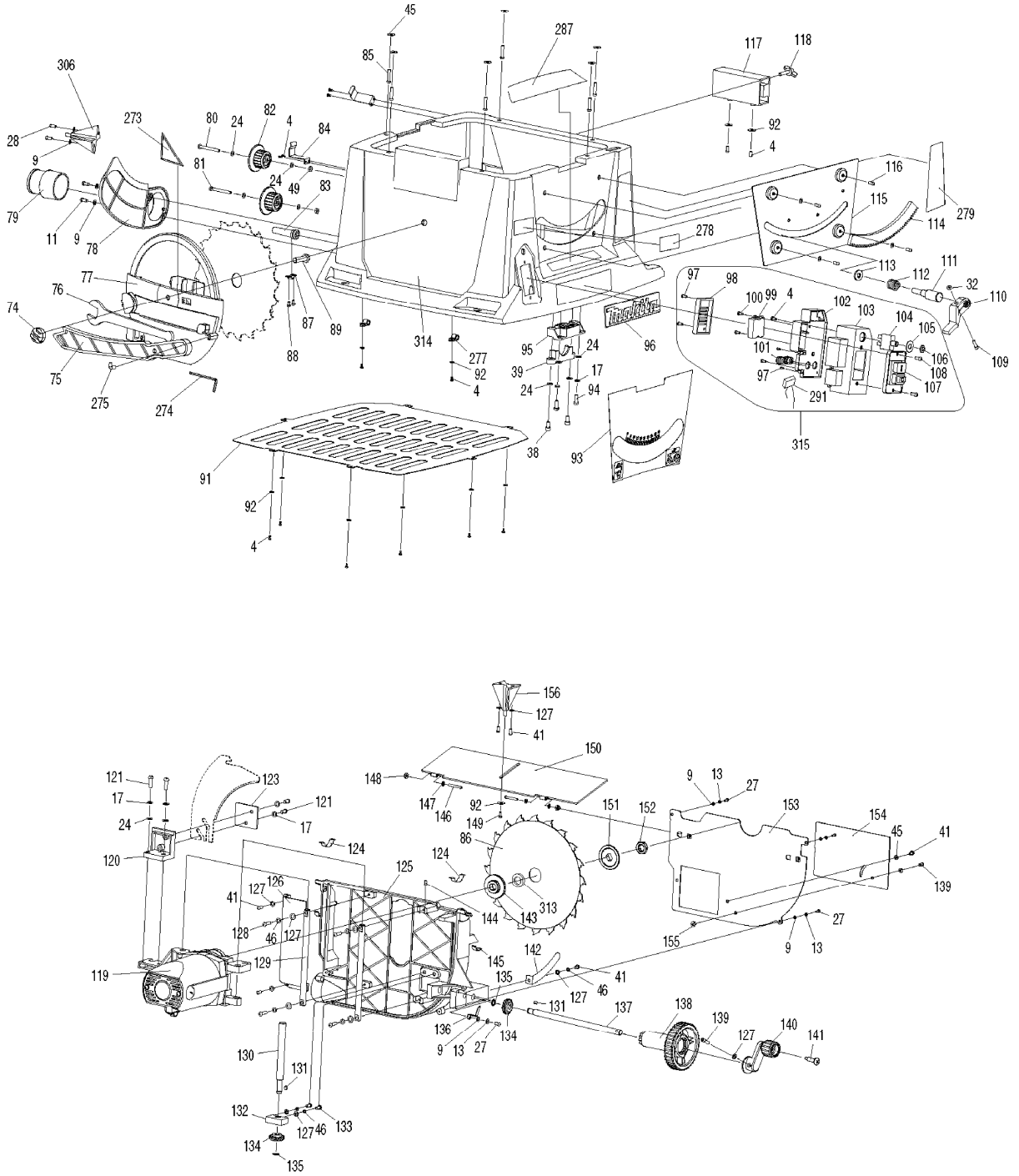
SERVICE DRAWING

MODEL NO. MLT100



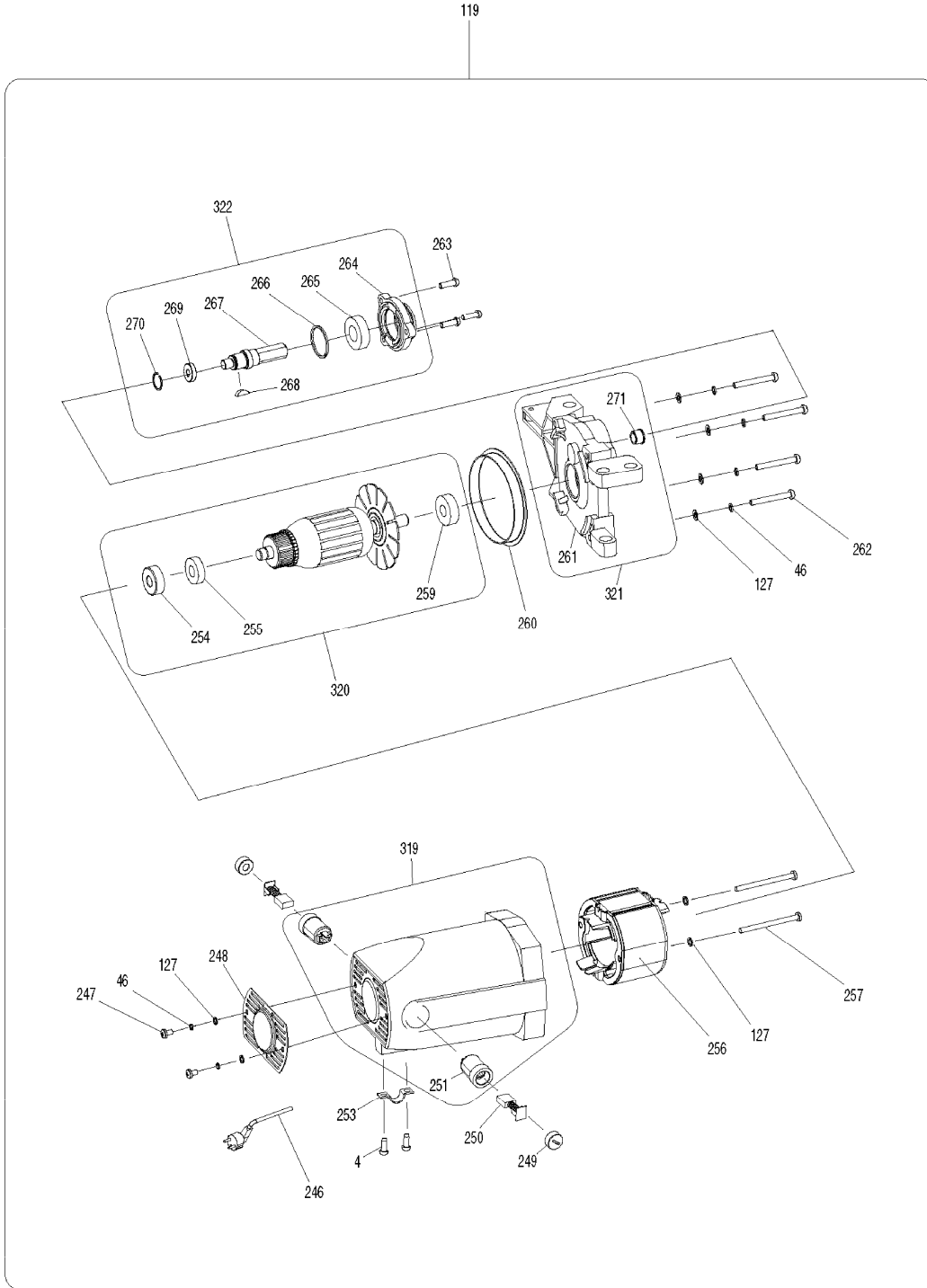
SERVICE DRAWING

MODEL NO. MLT100



SERVICE DRAWING

MODEL NO. MLT100



SERVICE DRAWING

MODEL NO. MLT100

