

# SPARE PARTS LIST

MODEL NO. UC4030A

| ITEM | PART NO. | DESCRIPTION                 | QTY | NOTE |
|------|----------|-----------------------------|-----|------|
| 001  | 226743-8 | STRAIGHT BEVEL GEAR 14      | 1   |      |
| 002  | 419410-4 | BAFFLE PLATE                | 1   |      |
| 003  | 211111-8 | BALL BEARING 6301LLB        | 1   |      |
| 004  | 240001-8 | FAN 80                      | 1   |      |
| 005  | 616969-4 | ARMATURE 240V               | 1   |      |
| 006  | 681666-1 | RESIN WASHER                | 1   |      |
| 007  | 210081-8 | BALL BEARING 629ZZ          | 1   |      |
| 008  | 639534-2 | FIELD 240V                  | 1   |      |
| 009  | 266095-5 | TAPPING SCREW 5X55          | 2   |      |
| 010  | 265995-6 | TAPPING SCREW 4X18          | 1   |      |
| 011  | 188818-0 | HANDLE SET<br>INC. 28       | 1   |      |
| 013  | 867113-8 | UC4030A NAME PLATE          | 1   |      |
| 014  | 650577-1 | SWITCH SD-006-BB2AA-AA      | 1   |      |
| 015  | 631719-6 | CONTROLLER                  | 1   |      |
| 016  | 682574-9 | CORD GUARD 10-90            | 1   |      |
| 017  | 692527-0 | POWER SUPPLY CORD 1.0-2-2.5 | 1   |      |
| 018  | 687124-5 | STRAIN RELIEF               | 1   |      |
| 019  | 265995-6 | TAPPING SCREW 4X18          | 2   |      |
| 020  | 416178-3 | LOCK-OFF BUTTON             | 1   |      |
| 021  | 233173-6 | COMPRESSION SPRING 4        | 1   |      |
| 022  | 419411-2 | SWITCH LEVER                | 1   |      |
| 024  | 651923-1 | SWITCH TG70B                | 1   |      |
| 025  | 643650-4 | BRUSH HOLDER CAP 6.5-13.5   | 2   |      |
| 026  | 181044-0 | CARBON BRUSH CB-153         | 1   |      |
| 027  | 154867-9 | MOTOR HOUSING COMPLETE      | 1   |      |
| 028  | 188818-0 | HANDLE SET<br>INC. 11       | 1   |      |
| 029  | 265995-6 | TAPPING SCREW 4X18          | 1   |      |
| 030  | 265995-6 | TAPPING SCREW 4X18          | 5   |      |
| 032  | 154870-0 | TANK CAP COMPLETE           | 1   |      |
| 033  | 158049-5 | GEAR HOUSING COVER COMPLETE | 1   |      |
| 034  | 140089-7 | OIL PUMP COMPLETE           | 1   |      |
| 035  | 213039-6 | O RING 6                    | 1   |      |
| 036  | 421959-2 | SPONGE SEAL                 | 1   |      |
| 037  | 419407-3 | OIL TANK                    | 1   |      |
| 038  | 416274-7 | CAP                         | 1   |      |
| 039  | 231975-4 | SPRING                      | 1   |      |
| 040  | 421958-4 | OIL TUBE                    | 1   |      |
| 041  | 419408-1 | GEAR HOUSING                | 1   |      |
| 042  | 419413-8 | ROD                         | 1   |      |
| 043  | 233174-4 | COMPRESSION SPRING 6        | 1   |      |
| 044  | 451130-4 | FRONT HAND GUARD            | 1   |      |
| 045  | 158044-5 | LINK PLATE COMPLETE         | 1   |      |
| 046  | 234005-0 | COMPRESSION SPRING 9        | 1   |      |
| 047  | 213039-6 | O RING 6                    | 1   |      |
| 048  | 211012-0 | BALL BEARING 606ZZ          | 1   |      |
| 049  | 450230-7 | CRANK                       | 1   |      |
| 050  | 417405-1 | CAM                         | 1   |      |
| 051  | 259034-2 | RETAINING RING E TYPE 10    | 1   |      |
| 052  | 266095-5 | TAPPING SCREW 5X55          | 2   |      |
| 053  | 266173-1 | TAPPING SCREW 5X30          | 4   |      |
| 054  | 226741-2 | STRAIGHT BEVEL GEAR 43      | 1   |      |
| 055  | 324662-3 | SPINDLE                     | 1   |      |
| 056  | 211107-9 | BALL BEARING 6201ZZ         | 1   |      |
| 057  | 419409-9 | FRONT HANDLE                | 1   |      |

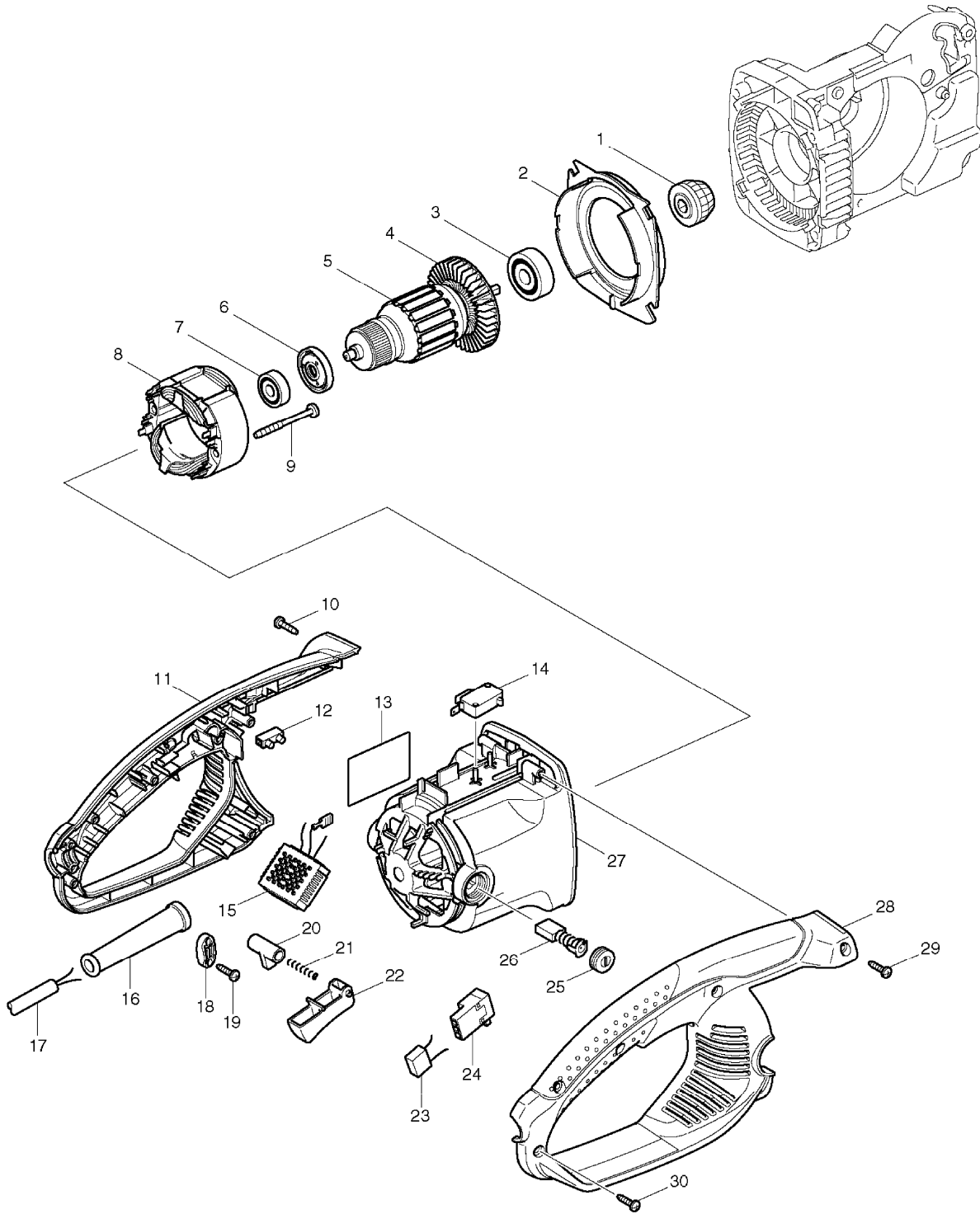
# SPARE PARTS LIST

MODEL NO. UC4030A

| ITEM | PART NO.  | DESCRIPTION                | QTY | NOTE |
|------|-----------|----------------------------|-----|------|
| 058  | 266173-1  | TAPPING SCREW 5X30         | 2   |      |
| 059  | 921452-1  | HEX. BOLT M8X30            | 1   |      |
| 060  | 318013-0  | BEARING HOUSING            | 1   |      |
| 063  | 345651-5  | SPIKE BUMPER               | 1   |      |
| 064  | 266173-1  | TAPPING SCREW 5X30         | 2   |      |
| 065  | 168426-3  | BRAKE BAND                 | 1   |      |
| 066  | 267195-4  | FLAT WASHER 4              | 1   |      |
| 067  | 266026-4  | TAPPING SCREW BIND CT 4X12 | 1   |      |
| 068  | 125331-7  | BRAKE DRUM ASSEMBLY        | 1   |      |
| 069  | 253215-0  | FLAT WASHER 8              | 1   |      |
| 070  | 259033-4  | RETAINING RING E TYPE 6    | 1   |      |
| 071  | 266007-8  | TAPPING SCREW BIND PT 3X10 | 1   |      |
| 072  | 419241-1  | COVER                      | 1   |      |
| 073  | 227496-2  | STRAIGHT BEVEL GEAR 14     | 1   |      |
| 074  | 227495-4  | STRAIGHT BEVEL GEAR 14     | 1   |      |
| 075  | 154869-5  | SPROCKET COVER COMPLETE    | 1   |      |
| 076  | 419233-0  | DIAL 40                    | 1   |      |
| 077  | 253874-0  | FLAT WASHER 4              | 1   |      |
| 078  | 915106-0  | BINDING HEAD SCREW M4X8    | 1   |      |
| 079  | 233033-2  | COMPRESSION SPRING 4       | 1   |      |
| 080  | 216008-6  | STEEL BALL 4               | 1   |      |
| 081  | 154763-1  | LEVER COMPLETE             | 1   |      |
| 082  | 951122-8  | SPRING PIN 4-28            | 1   |      |
| 083  | 419271-2  | CUP WASHER 20              | 1   |      |
| 084  | 317977-5  | LEVER HOLDER               | 1   |      |
| 085  | 231025-5  | COMPRESSION SPRING 8       | 1   |      |
| 086  | 252168-0  | HEX. NUT M8-13             | 1   |      |
| 087  | 324621-7  | ADJUST PIN                 | 1   |      |
| 088  | 324620-9  | ADJUST SCREW               | 1   |      |
| 089  | 188858-8  | SPROCKET COVER SET         | 1   |      |
|      |           | INC. 71-88                 |     |      |
| 090  | 188859-6  | LEVER COMPLETE SET         | 1   |      |
|      |           | INC. 81-84                 |     |      |
| 091  | 188929-1  | OIL PUMP COMPLETE SET      | 1   |      |
|      |           | INC. 34,35,49              |     |      |
| A01  | 419242-9  | CHAIN COVER                | 1   |      |
| A02  | 158024-1  | HOOK COMPLETE              | 1   |      |
| A03  | 165202-6  | GUIDE BAR 16"              | 1   |      |
| A05  | 528092658 | SAW CHAIN 16"              | 1   |      |

# SERVICE DRAWING

MODEL NO. UC4030A



# SERVICE DRAWING

MODEL NO. UC4030A

