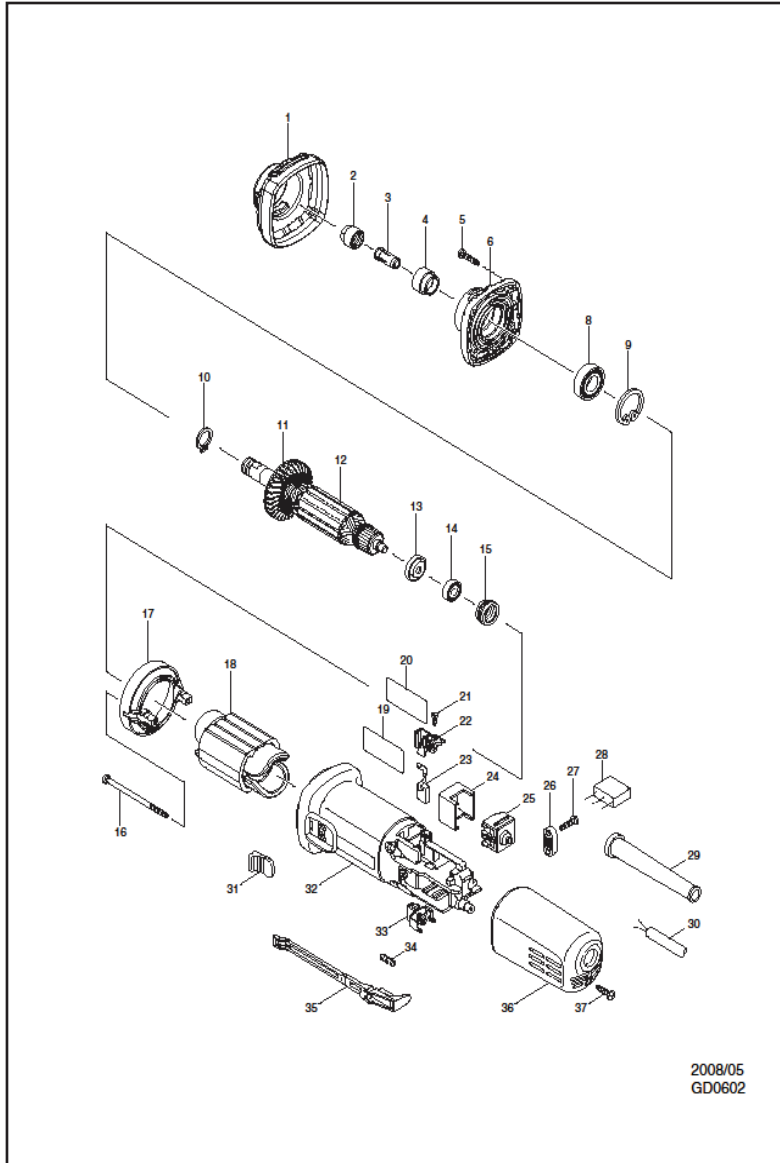


GD0602



2008/05
GD0602

REF.	CODE	DESCRIPTION	UNIT	LIST	REF.	CODE	DESCRIPTION
001	421943-7	INSULATION COVER	PC				
002	763664-8	COLLET NUT 6	PC				
003	763620-8	COLLET CONE 6MM	PC				
004	324638-0	SPINDLE	PC				
005	317999-5	BEARING RETAINER	PC				
006	443124-3	FELT RING 17	PC				
007	267329-9	FLAT WASHER 18 PC					
008	210106-8	BALL BEARING 6001LLB	PC				
009	961052-5P	RETAINING RING S-12	SET				
010	318000-9	BARREL	PC				
011	266361-0P	TAPPING SCREW 4X30	SET				
012	210053-3	BALL BEARING 629LLB	PC				
013	324639-8	COUPLING	PC				
014	421942-9	SPACER	PC				
015	324639-8	COUPLING	PC				
016	267126-3P	FLAT WASHER 22SET					
017	210053-3	BALL BEARING 629LLB	PC				
018	317821-6	GEAR HOUSING COVER	PC				
019	240076-7	FAN 56	PC				
020	515679-9	ARMATURE ASSY 240V	PC				
020	518883-9	ARMATURE ASSY 110V	PC				
D10		INC. 19, 21, 22					
021	681636-0	INSULATION WASHER	PC				
022	210034-7	BALL BEARING 607LLB	PC				
023	421868-5	LABYRINTH RUBBER RING 19	PC				
024	266345-8P	TAPPING SCREW 4X80	SET				
025	418770-1	BAFFLE PLATE	PC				
026	621724-1	FIELD 230-240V	PC				
026	627074-2	FIELD 110V	PC				
027	418838-3	MOTOR HOUSING	PC				
028	862168-8	NAME PLATE	PC				
029	418729-8	SPACER	PC				
030	650560-8	SWITCH DPX-2001-R	PC				
031	645233-6	NOISE SUPPRESSOR	PC				
033	643760-7	BRUSH HOLDER	PC				
034	194074-2	CARBON BRUSH CB-325	SET				
035	266007-8P	TAPPING SCREW BIND PT 3X10	SET				
036	265954-0P	TAPPING SCREW BIND PT3X8	SET				
037	345504-8	PLATE	PC				
038	154584-1	SWITCH LEVER B COMPL	PC				
D10		INC. 45					
039	183943-2	REAR COVER SET	PC				
040	266326-2P	TAPPING SCREW 4X18	SET				
041	687169-3	STRAIN RELIEF	PC				
042	682566-8	CORD GUARD 10PC					
043	231252-4P	COMPRESSION SPRING 6	SET				
044	418842-2	LOCK ON BUTTON	PC				
D10		INC. 39					
045	183943-2	REAR COVER SET	PC				
046	266351-3	TAPPING SCREW 4X35	PC				
047	213445-5	O RING 26	PC				
012-1	210042-8	BALL BEARING 629LLB	PC				
017-1	210042-8	BALL BEARING 629LLB	PC				
A01	781039-9	WRENCH 13	PC				
E02	654091-9	NON-INSULATED TERMINAL	PC				