



Original Instruction Manual
Instructions d'emploi
Betriebsanleitung
Manuale d'istruzioni
Gebruiksaanwijzing
Manual de instrucciones
Manual de instruções
Brugsanvisning
Πρωτότυπο εγχειρίδιο οδηγιών
Orijinal kullanım kılavuzu

Important:

Read this instruction manual carefully before putting the Blower into operation and strictly observe the safety regulations! Preserve instruction manual carefully!

Importante:

Lisez attentivement ce manuel utilisateur avant de mettre en route le souffleur et respectez scrupuleusement les consignes de sécurité. Conservez soigneusement ce manuel.

Wichtig:

Lesen Sie diese Betriebsanleitung sorgfältig durch bevor Sie das Blasergerät in Betrieb nehmen und beachten Sie die Sicherheitsvorschriften genau! Bewahren Sie diese Betriebsanleitung sorgfältig auf!

Importante:

Leggere con attenzione il manuale prima di mettere in funzione il soffiatore; le norme di sicurezza vanno rigorosamente rispettate! Conservare il manuale delle istruzioni per l'uso.

Belangrijk:

Lees altijd eerst de veiligheidsvoorschriften aandachtig door en neem deze in acht voordat u de machine in gebruik neemt. Bewaar deze gebruiksaanwijzing zorgvuldig.

Importante:

Lea bien este manual antes de poner el soplador en funcionamiento, y observe estrictamente las medidas de seguridad. Conserve este manual de instrucciones.

Importante:

Leia cuidadosamente este manual de instruções antes de colocar o soprador em funcionamento e observe estrictamente as normas de segurança. Guarde o manual de instruções.

Vigtig:

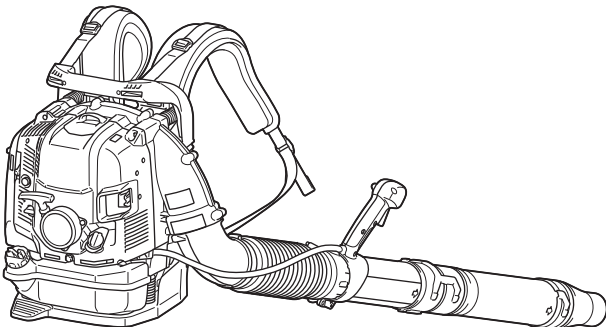
Denne driftsvejledning skal læses omhyggeligt igennem, inden blæseapparatet tages i drift og man skal være særlig opmærksom på de enkelte sikkerhedsforskrifter! Opbevar denne driftsvejledning omhyggeligt!

Σημαντικό:

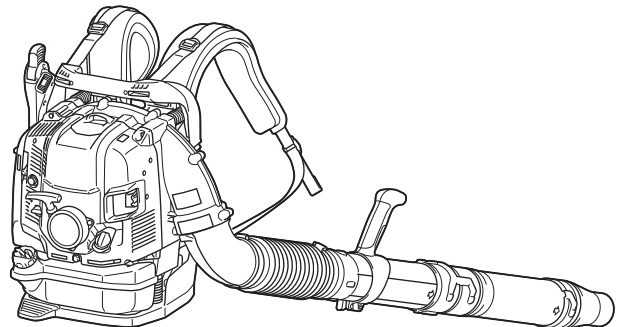
Διαβάστε αυτό το εγχειρίδιο οδηγιών προσεκτικά πριν θέσετε τον φυσητήρα σε λειτουργία και τηρήστε αυστηρά τους κανονισμούς ασφάλειας! Διατηρήστε το εγχειρίδιο οδηγιών προσεκτικά!

Önemli:

Üfleme makinesini çalıştırmadan önce bu kullanma kılavuzunu dikkatlice okuyun ve güvenlik kurallarına harfiyen uyun! Kullanma kılavuzunu dikkatli bir şekilde saklayın!



EB7650TH



EB7650WH

Thank you very much for selecting the Makita blower. We are pleased to be able to offer you the Makita blower, which is the result of a long development program and many years of knowledge and experience.

Those blower models combine the advantages of state-of-the-art technology with ergonomic design. They are of lightweight, handy, compact and represent professional equipment for a great variety of applications.

Please read, understand and follow this booklet, which refers in detail to the various points that will demonstrate its outstanding performance. This will assist you to safely obtain the best possible results from your Makita Blower.

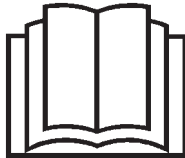


Table of Contents

	Page
Symbols.....	2
Safety instructions	3
EC declaration of conformity	6
Technical data.....	7
Designation of parts.....	8
Assembly instructions.....	9
Before starting the engine	10
Operation.....	12
Adjustment of idling	14
Prevention from carburetor icing	14
Operation method.....	15
Inspection and maintenance.....	17
Storage	19
Troubleshooting.....	21

SYMBOLS

It is very important to understand the following symbols when reading this instructions manual.

	WARNING/DANGER		Keep bystanders away
	Read, Understand and Follow Instruction Manual		Fuel (Gasoline)
	Forbidden		Engine-manual Start
	No Smoking		Emergency Stop
	No Open Flame		First Aid
	Protective Gloves must be Worn		ON/START
	Keep the Area of Operation Clear of All Persons and Pets		OFF/STOP
	Wear Eye and Ear Protection		Severing of fingers or hand, impeller blade
	Hot surfaces – Burns to fingers or hands		Long hair may cause entanglement accident.

SAFETY INSTRUCTIONS

General Instructions

- To ensure correct and safe operation, the user must read, understand and follow this instruction manual to assure familiarity with the handling of the blower (1). Users insufficiently informed will risk danger to themselves as well as others due to improper handling.
- It is recommended only to loan the blower to people who have proven to be experienced with blowers.
- Always hand over the instruction manual.
- First-time users should ask the dealer for basic instructions to familiarize oneself with the handling of a blower.
- Children and young persons aged under 18 years must not be allowed to operate the blower. Persons over the age of 16 years may however use the tool for the purpose of being trained only while under the direct supervision of a qualified trainer.
- Use blowers with the utmost care and attention.
- Operate the blower only if you are in good physical condition.
- Perform all work conscientiously and carefully. The user has to accept responsibility for others.
- Never use the blower while under the influence of alcohol or drugs (2).
- Do not use the unit when you are tired.
- Save these instructions for future referral.

Personal Protective Equipment

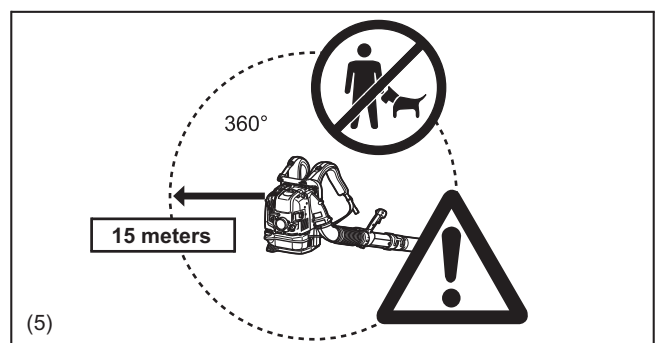
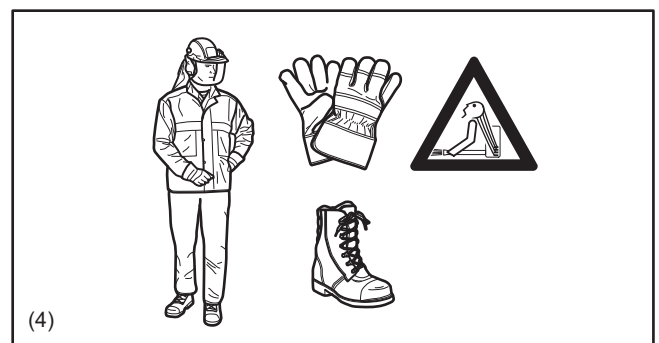
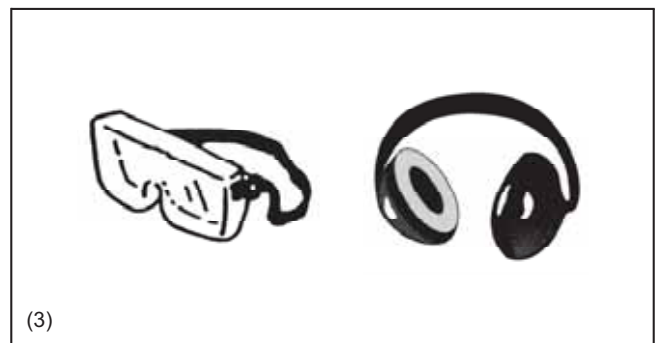
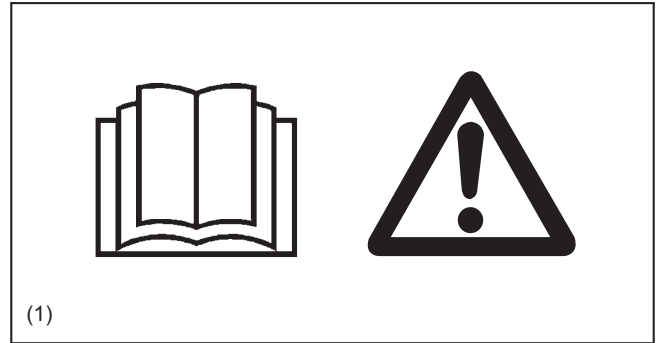
- The clothing worn should be functional and appropriate, i. e., it should be tight fitting but not cause a hindrance. Do not wear jewelry, clothing or long hair which could be drawn into the air intake.
- In order to avoid head-, eye-, hand- or foot injuries as well as to protect your hearing the following protective equipment and protective clothing must be used during operation of the blower.

Pay particular attention to the following regulations

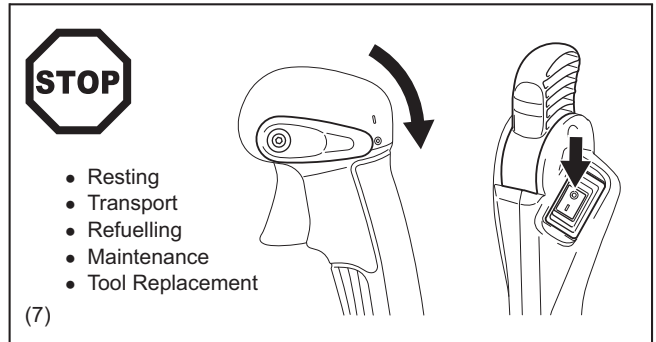
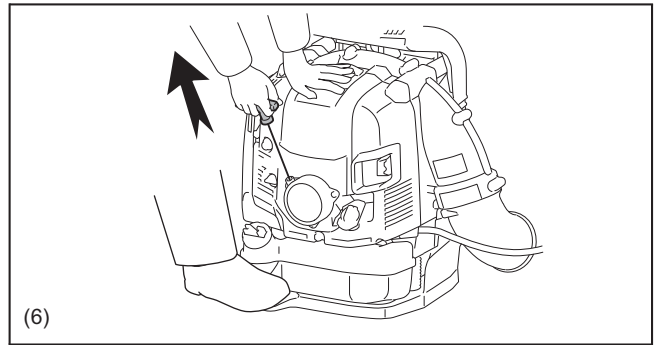
- Clothing must be sturdy and snug-fitting, but allow complete freedom of movement. Avoid loose-fitting jackets, flared or cuffed pants, scarves, unconfined long hair or anything that could be drawn into the air intake. (4) Wear overalls or long pants to protect your legs. Do not wear shorts. (4)
- Generally, engine products are noisy and their noise may damage your hearing. Wear sound barriers (ear plugs or ear muffs) to protect your hearing. Continual and regular users should have their hearing checked regularly. (3)
- Use of gloves when working with the blower is recommended. Wear sturdy shoes with non-slip soles. (4)
- Proper eye protection is a must. Even though the discharge is directed away from the operator, ricochets and bounce-backs can occur during blower operation. (3)
- Never operate a blower unless wearing goggles or properly fitted safety glasses with adequate top and side protection which comply with EN166 and regulations in your country.
- To reduce the risk of injury associated with the inhalation of dust, use face filter mask in dusty conditions.

Starting up the blower

- Make sure that there are no children or other people within a working range of 15 meters (5), also pay attention to any animals in the working vicinity. Never use the blower in urban areas.
- Before operating, always check that the blower is safe for operation: Check the security of the throttle lever. The throttle lever should be checked for smooth and easy action. Check for proper functioning of the throttle lever lock. Check for clean and dry handles and test the function of the I-O switch. Keep handles free of oil and fuel.

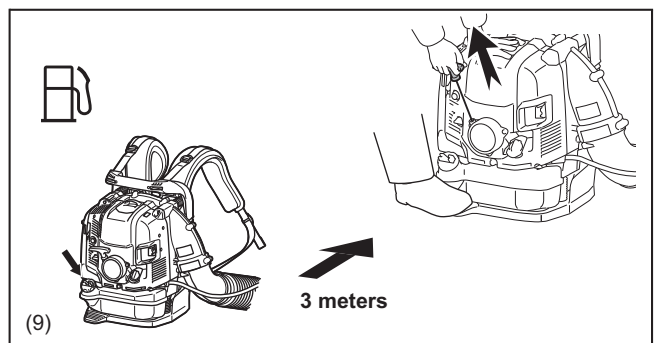
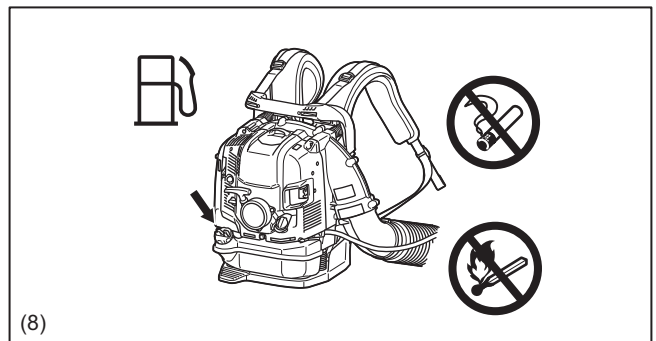


- Start the Blower only in accordance with the instructions. Do not use any other methods for starting the engine (6).
- Use the blower and the tools supplied only for applications specified.
- Start the blower engine only after the entire tool has been assembled. Operation of the tool is permitted only after all the appropriate accessories are attached.
- The engine is to be switched off immediately if there are any engine problems.
- When working with the blower, always wrap your fingers tightly around the handle, keeping the control handle cradled between your thumb and forefinger. Keep your hand in this position to have your machine under control at all times. Make sure your control handle is in good condition and free of moisture, pitch, oil or grease. Always ensure there is adequate footing.
- Carry the blower properly on both shoulders during operation. Do not carry the blower with only one shoulder strap. Otherwise personal injury may result.
- Operate the blower in such a manner as to avoid inhalation of the exhaust gases. Never run the engine in enclosed rooms (risk of suffocation and gas poisoning). Carbon monoxide is an odorless gas. Always ensure there is adequate ventilation.
- Switch off the engine when resting or leaving the blower unattended. Place it in a safe location prevent danger to others, setting fire to combustible materials, or damage to the machine.
- Never lay the hot blower onto dry grass or onto any combustible materials.
- All protective parts and guards supplied with the machine must be used during operation.
- Never operate the engine with a faulty exhaust muffler.
- Shut off the engine during transport (7).
- Position the blower safely during car or truck transportation to avoid fuel leakage.
- When transporting the blower, ensure that the fuel tank is completely empty.
- Carry the blower by its carry handle. Do not drag the blower by nozzle, pipe or other parts.
- When transport the blower, bent your knee and make sure you do not damage your shoulder and lower back.



Refuelling

- Shut off the engine during refuelling (7), keep well away from open flame (8) and do not smoke.
- Avoid skin contact with petroleum products. Do not inhale fuel vapor. Always wear protective gloves during refuelling. Change and clean protective clothing at regular intervals.
- Take care not to spill either fuel or oil in order to prevent soil contamination (environmental protection). Clean the blower immediately after fuel has been spilt. Allow wet cloths to dry before disposing in properly, covered container to prevent spontaneous combustion.
- Avoid any fuel contact with your clothing. Change your clothing immediately if fuel has been spilled on it (fire hazard).
- Inspect the fuel cap at regular intervals making sure that it stays securely fastened.
- Carefully tighten the locking screw of the fuel tank. Change locations to start the engine (at least 3 meters away from the place of refuelling) (9).
- Never refuel in closed rooms. Fuel vapors accumulate at ground level (risk of explosions).
- Only transport and store fuel in approved containers. Make sure stored fuel is not accessible to children.
- Do not attempt to refuel a hot or a running engine.



Method of operation

- Use the blower only in good light and visibility. Beware of slippery or wet areas, ice and snow (risk of slipping) , and narrow space. Always ensure a safe footing.
- Never work on unstable surfaces or steep terrain.
- Do not work from ladders or high places. Otherwise it may result in personal injury.
- To reduce the risk of personal injury, do not direct air blast towards bystanders, since the high pressure of the air flow could injure eyes and could blow small objects at great speed.
- Never insert any foreign object into the air intake of the machine or into the nozzle of the blower. It will damage the fan wheel and may cause serious injury to the operator or bystanders as a result of the object or broken parts being thrown out at high speed.
- Pay attention to the direction of the wind, i.e., do not work against the wind.
- To reduce the risk of stumbling and loss of control, do not walk backward while operating the machine.
- Always shut off the engine before cleaning or servicing the unit or replacing parts.
- Take a rest to prevent loss of control caused by fatigue. We recommend to take a 10 to 20-minute rest every hour.
- Do not operate the machine near the windows, etc.
- To reduce damage from vibration and/or damage to the ears, operate the machine at low speed if possible and limit the time of operation.
- Operate the machine only at reasonable hours. Do not operate the blower in the morning or late at night when people might be disturbed.
- It is recommended for using rakes and brooms to loosen debris before blowing.
- Before blowing, slightly dampen surfaces in dusty conditions or use water mist sprayer if necessary.
- Adjust the length of the blower nozzle so that the stream can work close to the ground.
- To reduce sound levels, limit the number of pieces of equipment used at any one time.

After using blowers and other equipment, CLEAN UP! Dispose of debris in trash receptacles.

Maintenance instructions

- Be kind to the environment. Operate the blower with as little noise and pollution as possible. In particular, check the correct adjustment of the carburetor.
- Clean the blower at regular intervals and check that all screws and nuts are securely tightened.
- Never service or store the blower in the vicinity of open flames, sparks, etc. (11).
- Always store the blower in a well-ventilated locked room and with an emptied fuel tank.

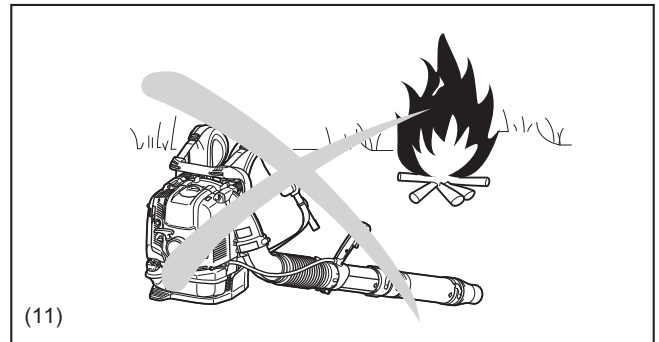
Observe and follow all relevant accident prevention instructions issued by the trade associations and by insurance companies. Do not perform any modifications to the blower as this will risk your safety.

The performance of maintenance or repair work by the user is limited to those activities as described in this instruction manual. All other work is to be done by Authorized Service Agents.

Use only genuine spare parts and accessories supplied by Makita.

Use of non-approved accessories and tools means increased risk of accidents and injuries. Makita will not accept any liability for accidents or damage caused by the use of any non-approved attachment or accessories.

Never make modification on the equipment. It may cause dangerous accidents or personal injury.

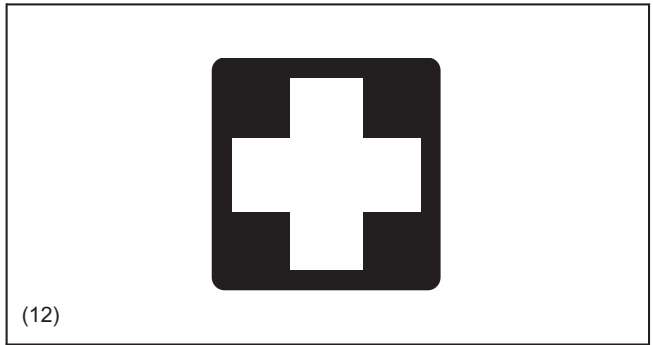


First Aid

In case of accident make sure that a well-stocked first-aid kit is available in the vicinity of the operations. Immediately replace any item taken from the first aid kit.

When asking for help, please give the following information:

- Place of accident
- What happened
- Number of injured persons
- Extent of injuries
- Your name



For European countries only

EC Declaration of Conformity

We Makita Corporation as the responsible manufacturer declare that the following Makita machine(s):

Designation of Machine: Petrol Blower
Model No./ Type: EB7650TH, EB7650WH
Specifications: see "TECHNICAL DATA" table

are of series production and

Conforms to the following European Directives:

2000/14/EC, 2006/42/EC

And are manufactured in accordance with the following standards or standardized documents:

EN15503

The technical documentation is kept by our authorized representative in Europe who is:

Makita International Europe Ltd.,
Michigan Drive, Tongwell, Milton Keynes, Bucks MK15 8JD, England

The conformity assessment procedure required by Directive 2000/14/EC was in Accordance with annex V.

Measured Sound Power Level: 110 dB
Guaranteed Sound Power Level: 111 dB

6. 8. 2013



Tomoyasu Kato
Director
Makita Corporation
3-11-8, Sumiyoshi-cho,
Anjo, Aichi, JAPAN

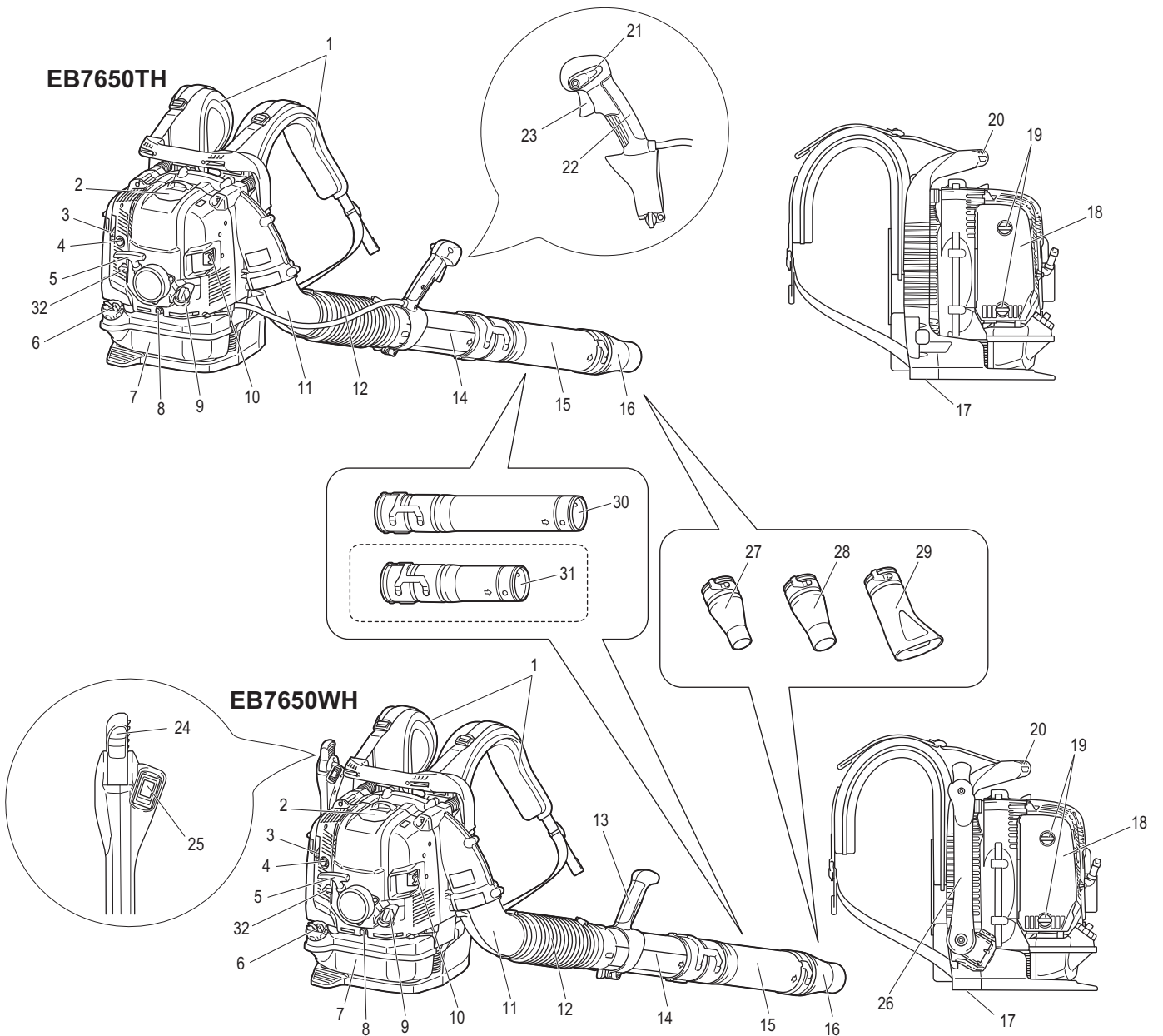
TECHNICAL DATA

Model				EB7650TH	EB7650WH		
Throttle type				Tube throttle	Hip throttle		
Mass (without blower pipe)				(kg)	10.8 11.0		
Dimension (without blower pipe L x W x H)				(mm)	332 x 460 x 480 332 x 510 x 480		
Air velocity	(with long pipe)	$a_{hv\ eq}$	(with speed nozzle)	(m/s)	89		
			(with volume nozzle)		81		
			(with flat nozzle)		86		
	(with short pipe)	(with speed nozzle)	90				
		(with volume nozzle)	81				
		(with flat nozzle)	87				
Air volume flow rate	(with long pipe)	$a_{hv\ eq}$	(with speed nozzle)	(m ³ /minute)	17		
			(with volume nozzle)		19		
			(with flat nozzle)		17		
	(with short pipe)	(with speed nozzle)	17				
		(with volume nozzle)	19				
		(with flat nozzle)	17				
Max. engine speed (with speed nozzle)				(min ⁻¹)	7,100		
Idling speed				(min ⁻¹)	2,800		
Engine displacement				(cm ³)	75.6		
Fuel					Automobile gasoline		
Fuel tank capacity				(cm ³)	1,900		
Engine oil					API grade SF class or higher, SAE 10W-30 oil (automobile 4-stroke engine oil)		
Engine oil volume				(cm ³)	220		
Carburetor				(type)	Diaphragm		
Spark plug					NGK CMR6A		
Electrode gap				(mm)	0.7 – 0.8		
Vibration per EN15503 2009	Right handle	$a_{hv\ eq}$	(with long pipe)	(with speed nozzle)	(m/s ²)	2.5	2.7
				(with volume nozzle)		2.3	2.3
				(with flat nozzle)		4.1	4.8
			(with short pipe)	(with speed nozzle)		3.1	2.7
				(with volume nozzle)		2.8	2.3
				(with flat nozzle)		3.7	5.1
	Uncertainty K					2.2	3.0
	Left handle (control arm)	$a_{hv\ eq}$	(with long pipe)	(with speed nozzle)		0.7	
				(with volume nozzle)		0.7	
				(with flat nozzle)		0.9	
			(with short pipe)	(with speed nozzle)		0.8	
				(with volume nozzle)		0.7	
				(with flat nozzle)		0.9	
	Uncertainty K					0.5	
	Sound pressure level average to EN15503: 2009			$L_{PA\ eq}$		dB(A)	100
				Uncertainty K		dB(A)	1.5
	Sound power level average to EN15503: 2009			$L_{WA\ eq}$		dB(A)	110
				Uncertainty K		dB(A)	1.0

Notes:

- Due to our continuing program of research and development, the specifications herein are subject to change without notice.
- Specifications may differ from country to country.

DESIGNATION OF PARTS



1. Shoulder strap	9. Oil cap	17. Air inlet net (at the bottom)	25. Stop switch
2. Spark plug cover	10. Muffler	18. Air cleaner cover	26. Control arm
3. Choke lever	11. Elbow	19. Bolt (of air cleaner cover)	27. Speed nozzle
4. Primer pump	12. Flexible pipe	20. Carry handle	28. Volume nozzle
5. Starter knob	13. Handle assembly	21. Stop control lever	29. Flat nozzle
6. Fuel tank cap	14. Swivel	22. Control handle	30. Long pipe
7. Fuel tank	15. Pipe (long/short)	23. Throttle trigger	31. Short pipe (optional accessory)
8. Oil drain bolt	16. Nozzle	24. Throttle lever	32. Anti icing lever

• Standard accessories may differ from country to country.

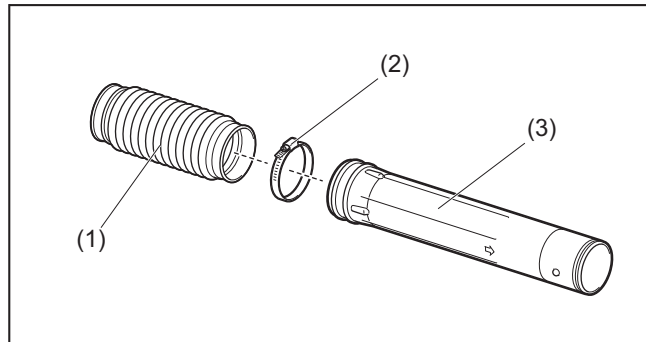
ASSEMBLY INSTRUCTIONS

ASSEMBLY OF BLOWER PIPES

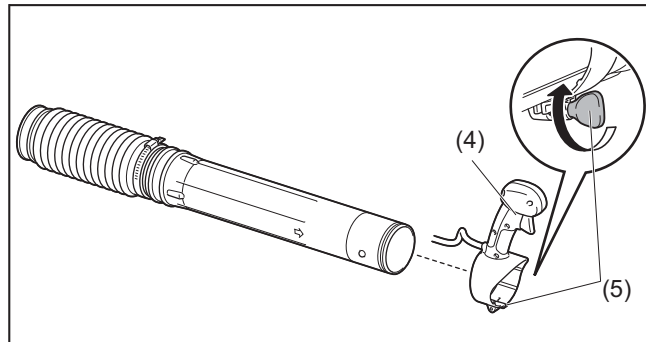
⚠ CAUTION:

- Before performing any work on the blower, always stop the engine and pull the spark plug connectors off the spark plug.
Always wear protective gloves!
- Start the blower only after having assembled it completely.
- Always wear protective gloves!

1. Insert the swivel (3) into the flexible pipe (1) and tighten them with hose band (2).



2. Install the control handle / handle assembly (4) onto the swivel and tighten them with the clamp screw (5).

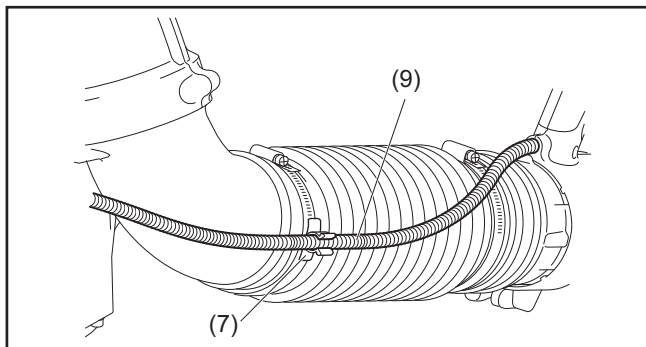
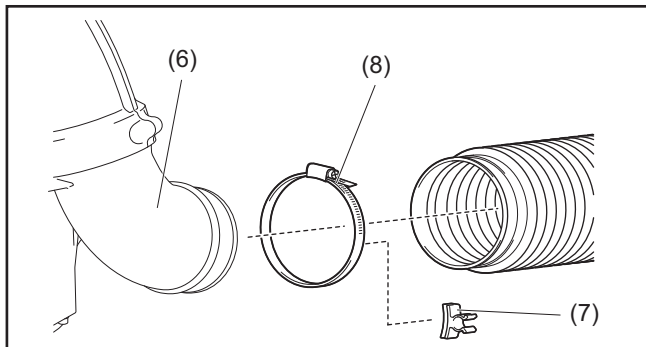


3. For tube throttle model

Insert the flexible pipe to elbow (6) of the blower.
Attach the cable holder (7) between the hose band (8) and the elbow.
Tighten the cable holder, flexible pipe and elbow with the hose band.
Set the control cable (9) onto the cable holder (7).

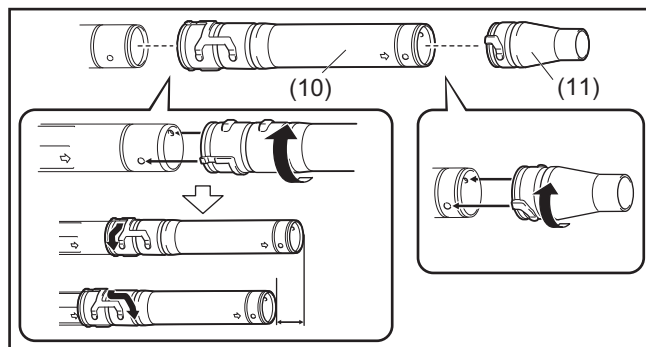
For hip throttle model

Insert the flexible pipe to elbow (6) of the blower.
Tighten the flexible pipe and elbow with the hose band (8).



4. Attach the long/short pipe (10) with the swivel. Turn the long/short pipe clockwise to lock it into place.
Then attach the blower nozzle (11) with the long/short pipe. Turn the blower nozzle clockwise to lock it into place.

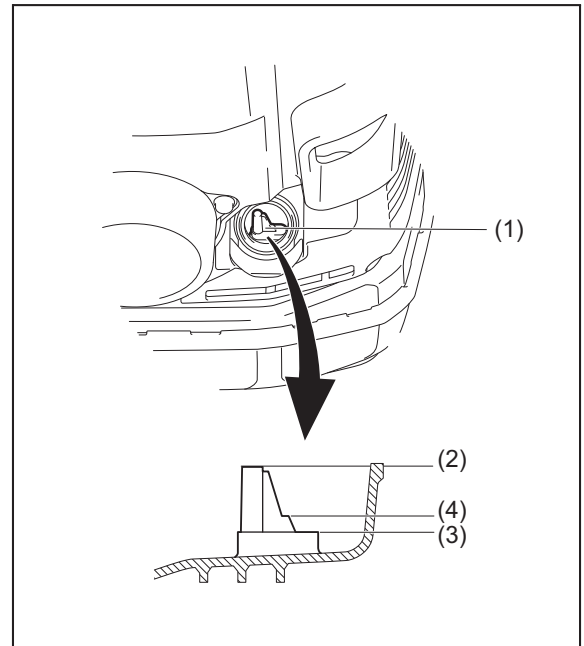
5. Make sure all clamps are tight.



BEFORE STARTING THE ENGINE

1. Checking and Refilling Engine Oil

- 1) Perform the following procedure, with the engine cooled down. Otherwise skin burn may result.
 - **Inspection:** Put the blower on a flat surface and remove the oil cap. Check the oil gauge (1). Make sure that the oil level is within the upper (2) and lower (3) limit marks. If the oil is not up to the 100 ml level (4), fill up with new oil.
 - **Filling oil:** Put the blower on a flat surface and remove the oil cap. Fill the oil up to the upper limit of the oil level gauge.
- 2) On average, engine oil needs to be added after every 20 hours of operation (every 10 – 15 refuellings).
- 3) Change the oil whenever it becomes dirty or significantly changes color. (Refer to “**Replacement of engine oil**” for the oil change procedure and frequency.)



Recommended oil: Makita genuine oil or SAE10W-30 oil of API type SF grade or better (4 stroke motor oil for automobiles)
Oil capacity: Approximately 0.22 L (220 ml)

NOTE:

- If the blower is not stored in an upright position, the oil may flow from the level gauge into the engine and give a false reading when checking the oil level. This may result in inadvertently overfilling whenever adding engine oil. Always store the blower in an upright position.
- If the engine oil is exceeded, the oil may spill from the breather of the air cleaner and make surrounding parts dirty, or white smoke may appear due to burning excessive oil.

Replacement of Oil “Oil cap”

- Remove dust or dirt near the oil refill port, and detach the oil cap.
- Keep the detached oil cap free of sand or dust. Otherwise, any sand or dust adhering to the oil cap may cause irregular oil circulation or wear on the engine parts, which will result in troubles.

After refilling oil

- Wipe with a rag any spilled oil.

2. Fuel supply

WARNING:

- When refuelling the unit, be sure to observe the following instructions to prevent ignition or fire or personal injury:
 - Fuel supply must be made in a place free of fire. Never bring the fire (smoking, etc.) near the place of fuel supply.
 - Stop the engine and allow the engine to cool down before refuelling.
 - Refuel on flat surface. Do not refuel on unstable or bad ventilated place.
 - Refuel in good light and visibility.
 - Refuel at open clear place.
 - Open the fuel tank cap slowly. The fuel may be spilled out by internal pressure.
 - Take care not to spill the fuel. Any spilled fuel must be wiped clean.
 - Carry out fuel supply in a well-ventilated place.
- Handle the fuel with care.
 - Fuel sticking to the skin or entering an eye may cause allergies or irritation. When any physical abnormality is detected, consult the medical specialist immediately.
- DO NOT put oil in the fuel tank.

STORAGE PERIOD OF FUEL

Fuel should be used within a period of 4 weeks, even if it is kept in a special container in a well-ventilated and shaded area. Otherwise, fuel may deteriorate in one day.

Storage of machine and refill tank

- Keep the machine and tank at a cool place free from direct sunshine.
- Never keep the fuel in a car.

FUEL

The engine is a four-stroke engine. Be sure to use an automobile gasoline (regular gasoline or premium gasoline).

Points for Fuel

- Never use a gasoline mixture which contains engine oil. Otherwise, it will cause excessive carbon accumulation or mechanical troubles.
- Use of deteriorated oil will cause irregular start-up.

When refuelling, stop the engine and wait for the engine to cool down.

REFUELLING METHOD

- Loosen the tank cap a little to release the tank pressure.
- Detach the tank cap, and refuel, discharging air by tilting the fuel tank so that the refuel port will be oriented upward. DO NOT fill fuel up to the top of the tank.
- After refuelling, securely tighten the tank cap.
- If there is any flaw or damage on the tank cap, replace it.
- The tank cap wears out in course of time. Replace it every two to three years.
- DO NOT put fuel in the oil fill port.

OPERATION

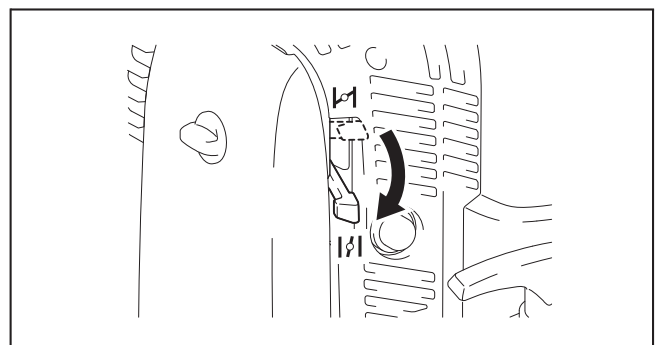
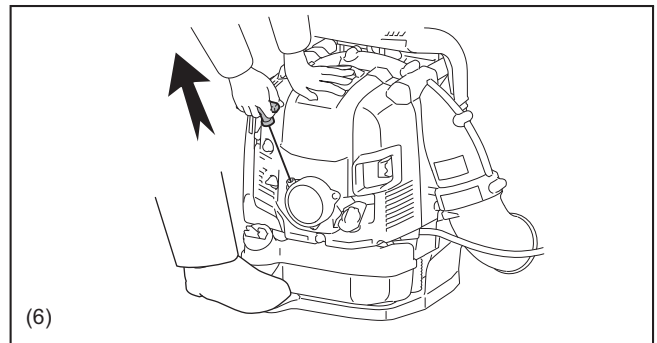
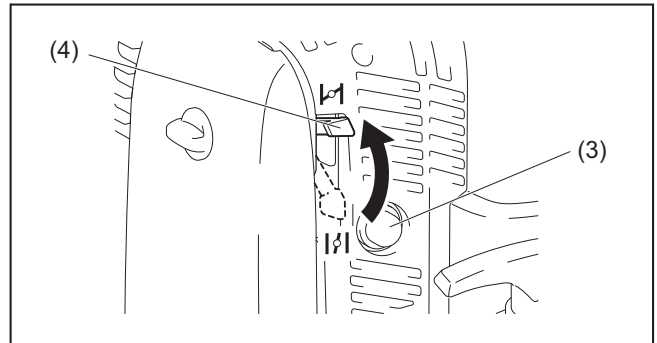
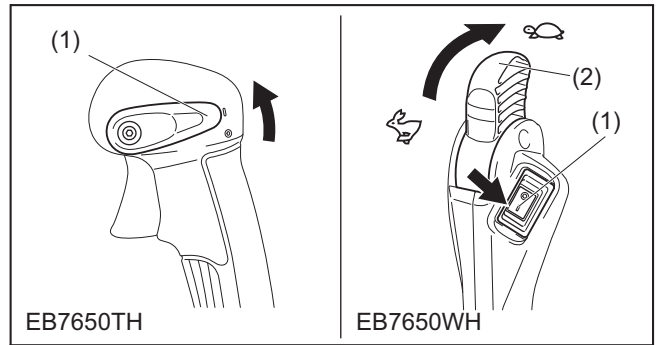
1. Starting

⚠ WARNING:

- Never attempt engine start in a place where the fuel has been supplied.
 - It may cause ignition or fire. When starting the engine, keep a distance of at least 3 m.
- Exhaust gas from the engine is toxic. Do not operate the engine in a poorly-ventilated place, such as in a tunnel, building, etc.
 - Operating the engine in the poorly-ventilated place may cause poisoning by exhaust gas.
- In case of detection of any abnormality in sound, odor, vibration after starting, stop the engine immediately and carry out inspection.
 - If the engine is operated without attending such abnormality, an accident may occur.
- Do not touch hot engine cover. Otherwise skin burn may result.
- Make sure that there are no fuel leakage before starting the engine.
- Make sure that the engine stops when the stop switch is set to "O" position.

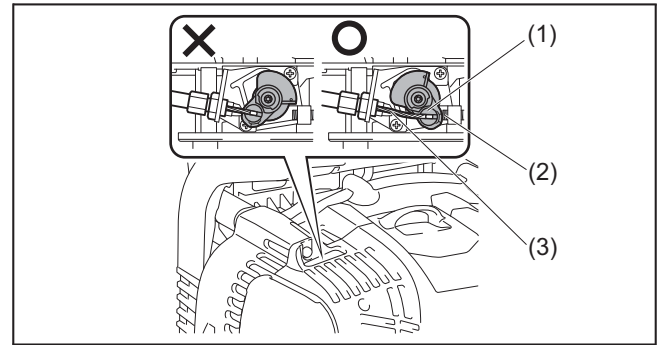
1) When the engine is cold or after refuelling (cold start)

- (1) Put the blower on a flat surface.
- (2) For tube throttle model
Set the stop control lever (1) to "I" position.
- (2) For hip throttle model
Set the stop switch (1) to "I" position.
And make sure that the throttle lever (2) is set to low speed position.
- (3) Continue to push the primer pump (3) until fuel comes into the primer pump.
 - In general, fuel comes into the carburetor by 7 to 10 pushes.
 - Even the primer pump is pushed excessively, an excess of gasoline returns to the fuel tank.
- (4) Lift the choke lever (4) to the closed position.
- (5) Stomp the pedal with your right foot, and hold the top of the unit cover with left hand to prevent the engine from moving.
- (6) Pull out slowly the starter handle till feeling compression. Then pull it strongly.
 - Never pull the rope to the full extension.
 - Return the starter knob gently into the housing. Otherwise released starter knob may hit your body or it may not rewind appropriately.
- (7) When the engine starts, down the choke lever to open position.
 - Open the choke lever fully when checking the engine operation.
 - In cold temperature or when the engine is not warm enough, never open the choke lever suddenly. Otherwise, the engine may stop.
- (8) Continue warm-up operation for 2 to 3 minutes.
- (9) Warm-up is complete when quick engine acceleration from low rpm to full throttle is felt.



NOTE:

- The engine may be damaged if the choke lever is moved further beyond the "CLOSE" position.
- If the engine fires and stops, return this lever to the "OPEN" position and pull the starter handle several times to start the engine again.
- If the operator keeps pulling the starter handle several times with the choke lever left in the "CLOSE" position, the engine may be difficult to start because of flooding of the fuel.
- In case of flooding of the fuel, remove the spark plug and pull the handle several times rapidly to discharge any excess fuel. Dry the spark plug electrode.
- When the throttle valve (1) does not return to a position in contact with the idling adjusting screw (2) even if the throttle lever is set to the low speed, correct the control cable (3) catching state to ensure proper return of the valve.



2) When the engine is warm (warm start)

- (1) Put the engine on a flat surface.
- (2) Push the primer pump several times.
- (3) Make sure that the choke lever is open.
- (4) Stump the pedal with your right foot, and hold the top of the unit with left hand to prevent the engine from moving.
- (5) Pull slowly the starter handle till feeling compression. Then pull it strongly.
- (6) When the engine is difficult to start, open the throttle valve by about 1/3.

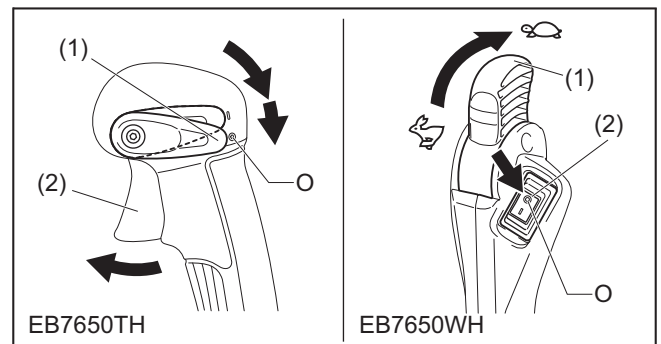
2. Stopping

For tube throttle model

Release the throttle trigger (2) and then set the stop control lever (1) to "O" position.

For hip throttle model

Set the throttle lever (1) to the low speed position to reduce the engine speed. Then set the stop switch (2) to "O" position.



ADJUSTMENT OF IDLING

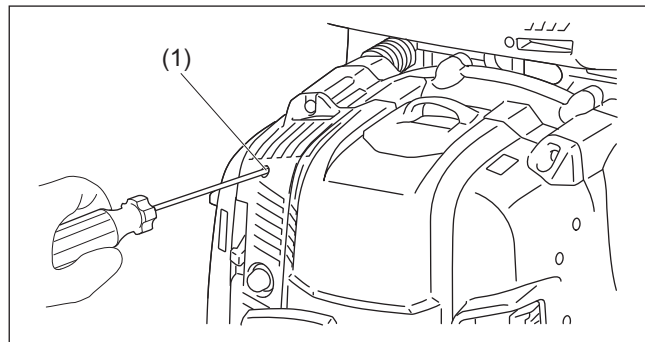
⚠ CAUTION:

- The carburetor is factory adjusted. Never adjust other than idling adjusting. For other adjustments, ask Makita authorized service center.

Checkup of low-speed rotation

Set the low-speed rotation to 2,800 rpm (/min).

- If it is necessary to change the rotation speed, regulate the idling adjusting screw (1), with Phillips screwdriver.
- Turn the adjusting screw to the right, and the engine speed will increase. Turn the adjusting screw to the left, and the engine speed will drop.



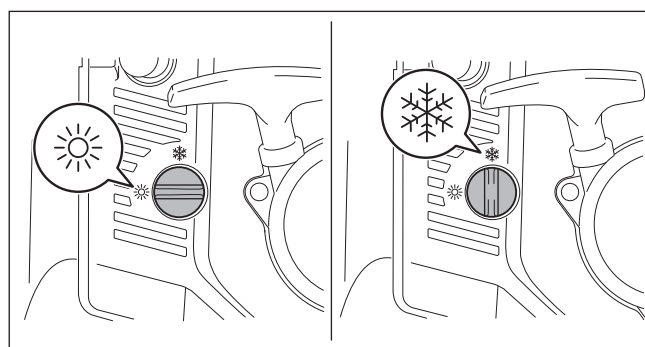
PREVENTION FROM CARBURETOR ICING

⚠ CAUTION:

- When environmental temperature is higher than 10°C, always return the lever to normal (sun mark) setting. Otherwise the engine may be damaged by overheating.

When the environmental temperature is low and humidity is high, water vapor may freeze inside the carburetor and the engine drives unsteadily (carburetor icing). Change the setting of the anti icing lever as follows if necessary.

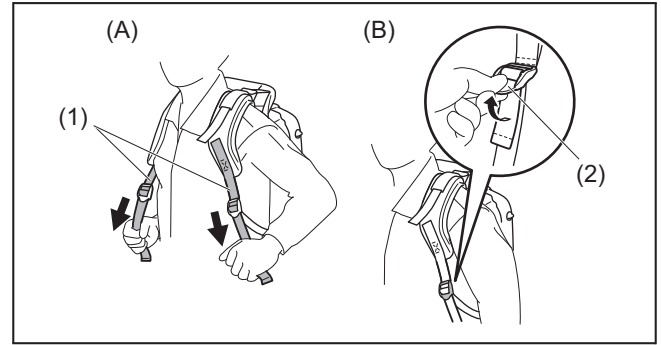
- Environment temperature is higher than 10°C: Turn the lever to normal position (sun mark).
- Environment temperature is equal or lower than 10°C: Turn the lever to anti-icing position (snow mark).



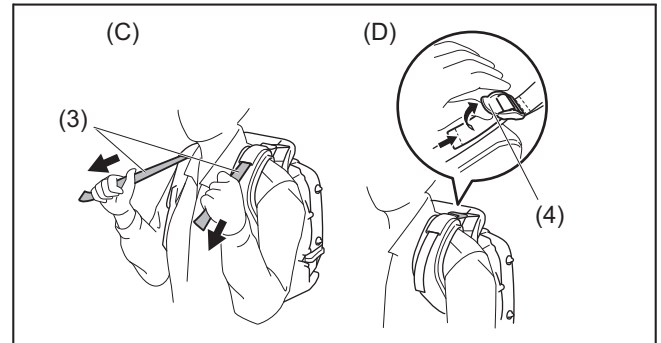
OPERATION METHOD

1. Adjusting Shoulder strap

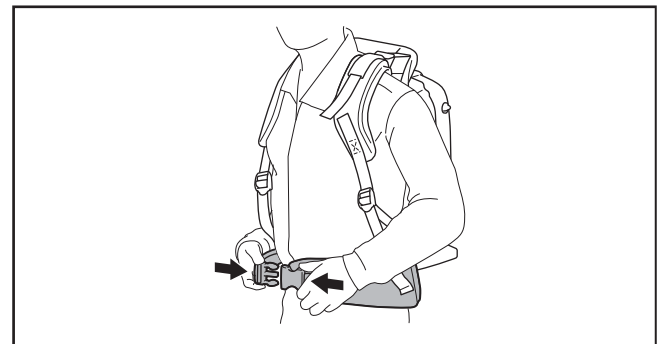
Adjust the shoulder strap (1) to a length that is comfortable to work while carrying the blower. To fasten (A) the strap, pull the end of the strap downwards. To loosen (B) the strap, pull up the end of the fastener (2).



Pull the stabilizer strap (3) until there are no space left between your back and the blower housing. To fasten (C) the strap, pull the end of the strap downwards. To loosen (D) the strap, pull up the end of the fastener (4).



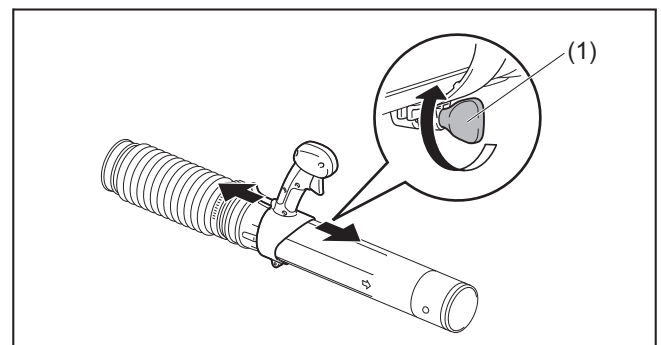
The hip belt (optional accessory) enables the operator to carry the tool more stably.



2. Adjusting the control lever

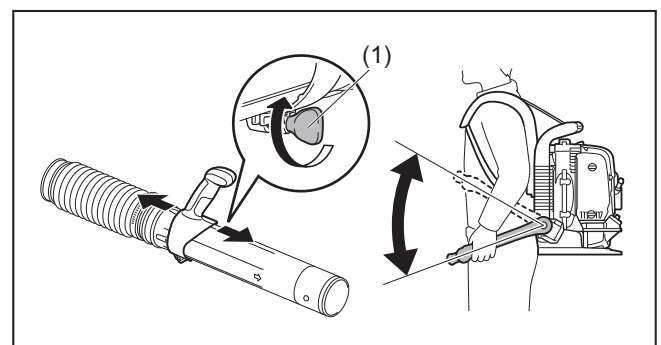
For tube throttle model

Move the control handle along the swivel pipe to the most comfortable position. Then tighten the control handle with the screw (1).



For hip throttle model

Move the handle assembly along the swivel to the most comfortable position. Then tighten the handle with the screw (1). Adjust the angle of the control arm for comfortable operation.



3. Blower Operation

- 1) While operating the blower, adjust the throttle trigger / throttle lever so that the wind force is appropriate for the work location and conditions.
- 2) Adjusting engine speed.

For tube throttle model

Engine speed increases by pulling the throttle trigger (1). To decrease the engine speed, loosen the throttle trigger.

Adjusting engine speed with the cruise control function:

The cruise control function allows the operator to maintain a constant engine speed without operating the trigger lever.

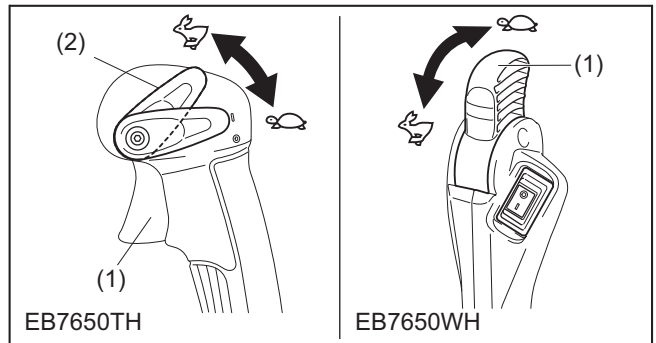
To increase the engine speed, turn the stop control lever (2) to high speed.

To decrease the engine speed, turn the stop control lever to low speed.

For hip throttle model

To increase the engine speed, turn the throttle lever (1) to high speed.

To decrease the engine speed, turn the throttle lever to low speed.



TRANSPORTING AND STORING THE BLOWER

⚠ CAUTION:

- When transporting the blower, be sure to stop the engine.

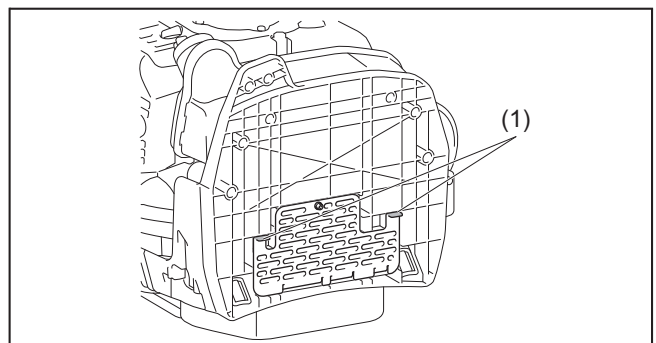
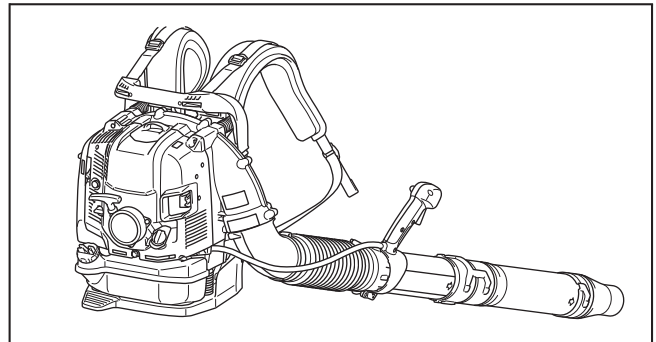
Do not sit or stand on the blower nor put an heavy object on it. It may damage the tool.

Maintain the blower in an upright position whenever transporting or storing.

Transporting or storing in a position that is not upright may cause oil to spill inside the blower engine. This may result in oil leaks and white smoke from burning oil, and the air cleaner may become dirty with oil.

Do not drag the blower when transporting. Otherwise the blower housing or air inlet net may be damaged, and it may cause rust.

* On the air inlet net there are ground contacts (1) which discharges electrostatic to the ground.



INSPECTION AND MAINTENANCE

⚠ CAUTION:

- Before inspection and maintenance, stop the engine and allow it to cool down. Remove the spark plug and plug cap.
 - Otherwise the operator may suffer burn or serious injury due to an accidental start-up.
- After inspection and maintenance, make sure that all parts are assembled. Then, proceed to operation.

1. Replacement of engine oil

Deteriorated engine oil will shorten the life of the sliding and rotating parts to a great extent. Be sure to check the period and quantity of replacement.

⚠ CAUTION:

- The engine main unit and engine oil still remain hot just after the engine is stopped. In replacement of oil, make sure that the engine main unit and engine oil are sufficiently cooled down. Otherwise, there may remain a risk of scald. Allow sufficient time after stopping engine for the engine oil to return to the oil tank to ensure accurate reading of the oil level indicator.
- If the oil filled above the limit, it may become dirty or may catch fire with white smoke.

Interval of replacement: After first 20 operating hours, followed by every 50 operating hours

Recommended oil: SAE10W-30 oil, API Classification SF Class or higher (4-stroke engine oil for automobile)

Oil Change Procedure

Please follow these steps when changing the oil:

- (1) Set the blower down on a level surface.
- (2) Put a waste oil container under the drainage hole (1) to catch the oil as it drains out. The container should have a capacity of at least 220 ml to be able to catch all of the oil.
- (3) Loosen the oil drain bolt (2) to let the oil drain out. Be careful not to allow oil to get on the fuel tank or other parts.

⚠ CAUTION:

- Be careful not to lose the gasket (aluminum washer) (3). Put the oil drain bolt (2) in a location where it will not accumulate dirt.

- (4) Remove the oil cap (4). (Removing the oil cap (4) allows the oil to drain easily.)

⚠ CAUTION:

- Be sure to set the oil cap (4) down in a location where it will not accumulate dirt.

- (5) As the level of the oil being drained decreases, tilt the blower over on to the side with the drain so that the oil will completely drain out.

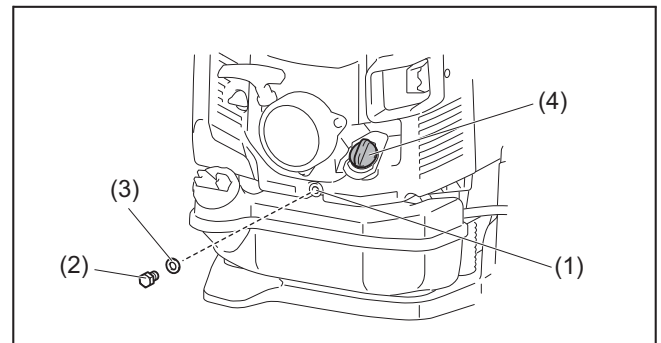
- (6) After the oil has completely drained out, tighten the oil drain bolt (2) securely. If the bolt is not tightly fastened, this may result in an oil leak.

⚠ CAUTION:

- Do not forget to put the gasket (aluminum washer) (3) back on when reattaching the drain plug.

- (7) Adding oil during the oil change procedure is performed in the same manner as the separately explained procedure for adding oil whenever the level is insufficient. Always add oil by filling from the opening under the oil cap.
(Specified oil level: Approximately 220 ml)

- (8) After filling with oil, tighten the oil cap (4) securely to prevent oil leaks.



Points in replacement of engine oil

- Never discard replaced engine oil in garbage, earth or sewage ditch. Disposal of oil is regulated by law. In disposal, always follow the relevant laws and regulations. For any points remaining unknown, contact Authorized Service Agent.
- Oil will deteriorate even when it is kept unused. Perform inspection and replacement at regular intervals (replace with new oil every 6 months).

2. Cleaning of air cleaner



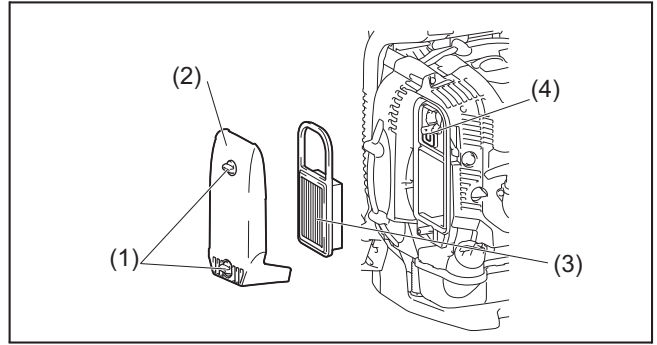
WARNING: INFLAMMABLES STRICTLY PROHIBITED

Interval of Cleaning and Inspection: Daily (every 10 operating hours)

- (1) Loosen the bolts (1).
- (2) Remove the air cleaner cover (2).
- (3) Remove the element (3) and clean off any dirt from the element with the brush.

Note:

- The element is a dry type and should not get wet. Never wash with water.
- (4) Replace the element with a new one if it is damaged or very dirty.
 - (5) Wipe off any oil that has come in to contact with the breather (4) with a rag or cloth.
 - (6) Install the element in the air cleaner case.
 - (7) Attach the air cleaner cover and tighten the knob bolt.



NOTICE:

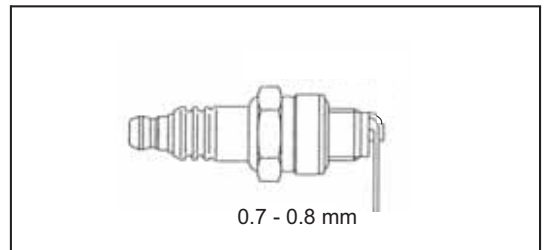
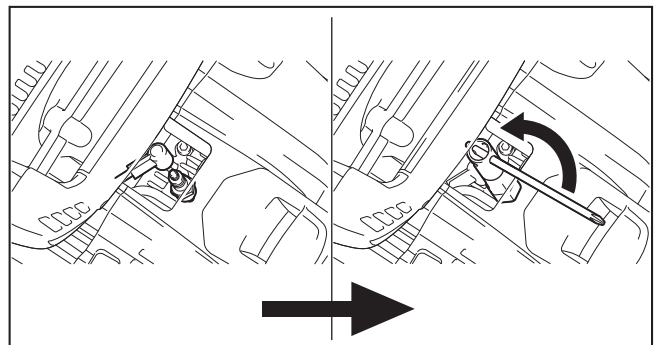
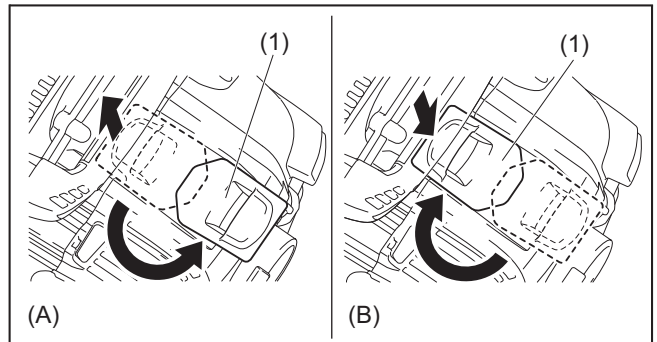
- Clean the element several times a day, if excessive dust adheres to it.
- If operation continues with the element remaining not cleared of oil, oil in the air cleaner may fall outside, resulting in oil contamination.

3. Checking the spark plug

CAUTION:

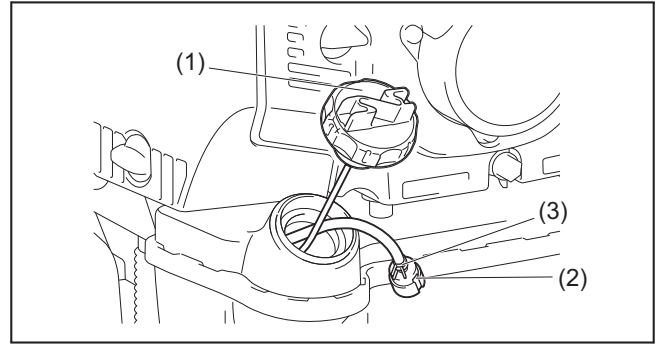
- Do not touch the spark plug while the engine is running. Otherwise electrical shock may result.
- Set the stop control lever/stop switch to OFF "O" position.
- Check the spark plug cord regularly. If it is damaged or torn, replace it. Otherwise electrical shock may result.
- When removing the spark plug, clean the spark plug and cylinder head first, so that no dirt, sand, etc will enter the cylinder.
- Remove the spark plug after the engine has cooled down in order to avoid damaging the threaded hole in the cylinder.
- Install the spark plug properly into the threaded hole. If installed at an angle, the threaded hole in the cylinder will get damaged.

- (1) Opening/closing the plug cover
To open (A) the plug cover (1), lift it and make a half turn of it. To close (B) the plug cover, make a half turn of it, and press around the dented part.
- (2) Removing the spark plug
Use an attached box wrench to remove or install the spark plug.
- (3) Checking the spark plug
The clearance between two electrodes of spark plug is 0.7 to 0.8 mm. Adjust to the correct clearance when it is too wide or too narrow.
Clean thoroughly or replace the spark plug if it has accumulated carbon or contaminated.
- (4) Replacing the spark plug
For replacement, use NGK-CMR6A.



4. Cleaning the fuel filter

- Clogged fuel filter may cause difficulty of start-up or failure of engine speed increase.
- Check the fuel filter regularly as follows:
 - (1) Remove the fuel tank cap (1), drain the fuel to empty the tank. Check the tank inside for any foreign materials. If any, wipe clean such materials.
 - (2) Pull out the fuel filter (2) with wire through the oil filling port.
 - (3) If the fuel filter surface is contaminated, clean it with gasoline. The gasoline used for the cleaning must be disposed of according to the method specified by each local authority. Excessively contaminated filter must be replaced.
 - (4) After checking, cleaning or replacing, insert the fuel filter into the fuel pipe and fix it by the hose clamp (3). Reset the fuel filter in the fuel tank and tighten firmly the fuel tank cap.
- Make sure there is no damage on the fuel tank.

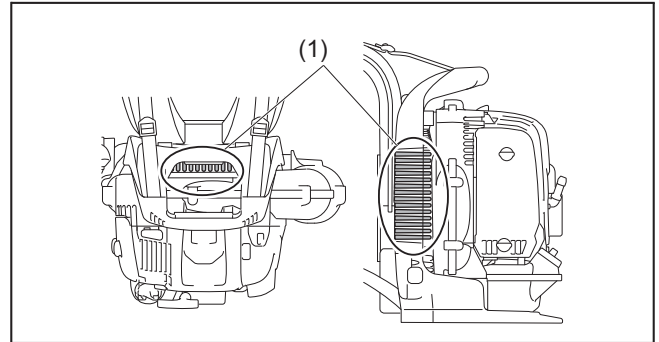


5. Inspection of bolts, nuts and screws

- Retighten loose bolts, nuts, etc.
- Check for fuel and oil leakage.
- Replace damaged parts with new ones for safety operation.

6. Cleaning of parts

- Keep engine clean by wiping down with a cloth rag.
- Keep the cylinder fins free of dust or dirt. Dust or dirt adhering to the fins will cause seizure.
- Blowing air is taken in from the air inlet vent and the air inlet net (1). When airflow drops down during operation, stop engine and inspect the air inlet vent and the air inlet net for any blockages. Clean it if necessary.
- Check the air inlet net at the bottom. Remove the screw and the air inlet net. Check if there are any blockages. Clean it if necessary.
- Such a blockage may cause overheat and damage the engine.

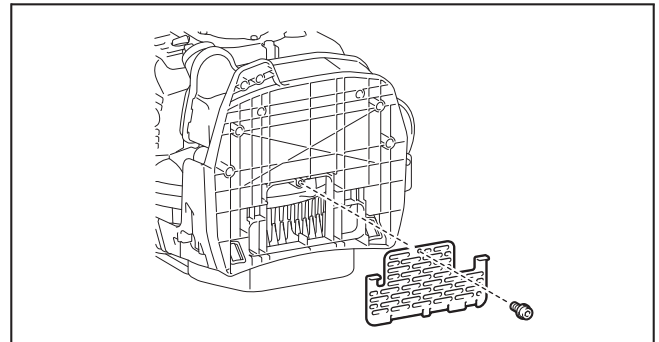


⚠ WARNING:

- Never use the blower without the net of the blower. Before each use, check that the net is attached in place and is free from any damage.

7. Replacement of gaskets and packings

Replace gaskets and packings if the engine is disassembled. Any maintenance of adjustment work that is not included and described in this manual is only to be performed by Authorized Service Agent.



STORAGE

⚠ WARNING:

- When draining the fuel, stop the engine and wait for the engine to cool down.
 - Failure to do so may cause burns or fire.

⚠ CAUTION:

- When you store the machine for a long time, drain all fuel from the fuel tank and carburetor, and keep it at a dry and clean place.

Drain fuel from the fuel tank and carburetor according to the following procedure:

- (1) Remove the fuel tank cap, and drain fuel completely. If there is any foreign materials remaining in the fuel tank, remove it completely.
- (2) Pull out the fuel filter from the refill port using a wire.
- (3) Push the primer pump until fuel is drained from there, and drain fuel coming into the fuel tank.
- (4) Reset the filter to the fuel tank, and securely tighten the fuel tank cap.
- (5) Then, continue to operate the engine until it stops.
- (6) Remove the spark plug, and drip several drops of engine oil through the spark plug hole.
- (7) Gently pull the starter handle so that engine oil will spread over the engine, and attach the spark plug.
- (8) Keep the machine with its handle upside.
- (9) Keep the drained fuel in a special container in a well-ventilated shade.

Fault location

Fault	System	Observation	Cause
Engine not starting or with difficulty	Ignition system	Ignition spark O.K.	Fault in fuel supply or compression system, mechanical defect
		No ignition spark	STOP-switch operated, wiring fault or short circuit, spark plug or connector defective, ignition module faulty
	Fuel supply	Fuel tank filled	Incorrect choke position, carburetor defective, fuel supply line bent or blocked, fuel dirty.
	Compression	No compression when pulled over	Cylinder bottom gasket defective, crankshaft seals damaged, cylinder or piston rings defective or improper sealing of spark plug
Warm start problems	Mechanical fault	Starter not engaging	Broken starter spring, broken parts inside of the engine
		Tank filled ignition spark existing	Carburetor contaminated, have it cleaned
Engine starts but dies	Fuel supply	Tank filled	Incorrect idling adjustment, carburetor contaminated Fuel tank vent defective, fuel supply line interrupted, cable or STOP-switch faulty
Insufficient performance	Several systems may simultaneously be affected	Engine idling poor	Air filter contaminated, carburetor contaminated, muffler clogged, exhaust duct in the cylinder clogged

Item	Operating time								Corresponding Page
		Before operation	After lubrication	Daily (10h)	30h	50h	200h	Shutdown/ rest	
Engine oil	Inspect/clean	○							10
	Replace					○*1			17
Tightening parts (bolt, nut)	Inspect	○							19
Fuel tank	Clean/inspect	○							—
	Drain fuel						○*3		19
Throttle trigger/ throttle lever	Check function		○						—
Stop control lever/ stop switch	Check function		○						13
Low-speed rotation	Inspect/adjust			○					14
Air cleaner	Clean			○					18
Ignition plug / plug cord	Inspect			○					18
Cooling air duct	Clean/inspect			○					19
Fuel pipe	Inspect			○					19
	Replace						◎*2		—
Fuel filter	Clean/replace					○			19
Clearance between air intake valve and air discharge valve	Adjust						◎*2		—
Oil tube	Inspect						◎*2		—
Engine overhaul							◎*2		—
Carburetor	Drain fuel						○*3		19

*1 Perform initial replacement after 20h operation.

*2 For the 200 operating hour inspection, request Authorized Service Agent or a machine shop.

*3 After emptying the fuel tank, continue to run the engine and drain fuel in the carburetor.

TROUBLESHOOTING

Before making a request for repairs, check a trouble for yourself. If any abnormality is found, control your machine according to the description of this manual. Never tamper or dismount any part contrary to the description. For repairs, contact Authorized Service Agent or local dealership.

State of abnormality	Probable cause (malfunction)	Remedy
Engine does not start	Failure to operate primer pump	Push 7 to 10 times.
	Low pulling speed of starter rope	Pull strongly.
	Lack of fuel	Feed fuel.
	Clogged fuel filter	Clean
	Bent fuel tube	Straighten fuel tube
	Deteriorated fuel	Deteriorated fuel makes starting more difficult. Replace with new one. (Recommended replacement: 1 month)
	Excessive suction of fuel	Set throttle lever from medium speed to high speed, and pull starter handle until engine starts. If engine will not start still, remove spark plug, make electrode dry, and reassemble them as they originally are. Then, start as specified.
	Detached plug cap	Attach securely
	Contaminated spark plug	Clean
	Abnormal clearance of spark plug	Adjust clearance
	Other abnormality of spark plug	Replace
	Abnormal carburetor	Make request for inspection and maintenance.
	Cannot pull the starter knob	Make request for inspection and maintenance.
Abnormal drive system	Make request for inspection and maintenance.	
Engine stops soon Engine speed does not increase	Insufficient warm-up	Perform warm-up operation
	Choke lever is set to "CLOSE" although engine is warmed up	Set to "OPEN"
	Clogged fuel filter	Clean
	Contaminated or clogged air cleaner	Clean
	Abnormal carburetor	Make request for inspection and maintenance.
	Abnormal drive system	Make request for inspection and maintenance.
	Detached throttle wire	Attach securely
Engine does not stop. ↓ Run engine at idling, and set choke lever to "CLOSE".	Detached connector	Attach securely
	Abnormal electric system	Make request for inspection and maintenance.

When the engine does not start after warm-up operation:

If there is no abnormality found for the check items, open the throttle by about 1/3 and start the engine.

Nous vous remercions d'avoir choisi un souffleur Makita, fruit d'un important programme de développement et d'années de connaissances et d'expérience accumulées.

Ces modèles de souffleur allient les avantages d'une technologie de pointe à une conception ergonomique. Ces outils de qualité professionnelle sont légers, pratiques, compacts, et utilisés dans de nombreuses applications.

Lisez, assimilez et respectez les instructions figurant dans ce manuel, qui traite en détail des différents points permettant de tirer le meilleur parti possible des performances de votre souffleur Makita, en toute sécurité.

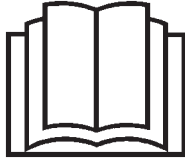


Table des matières

	Page
Symboles.....	22
Consignes de sécurité.....	23
Déclaration de conformité CE.....	26
Caractéristiques techniques.....	27
Nomenclature.....	28
Instructions de montage.....	29
Avant de démarrer le moteur.....	30
Fonctionnement.....	32
Réglage du ralenti.....	34
Prévention du givrage du carburateur.....	34
Mode opératoire.....	35
Inspection et entretien.....	37
Remisage.....	39
Dépannage.....	41

SYMBOLES

Lors de la lecture des instructions figurant dans ce manuel, prêtez une attention particulière aux symboles suivants.

	AVERTISSEMENT/DANGER		Éloignez les personnes présentes
	Lisez, assimilez et respectez les instructions figurant dans ce manuel		Carburant (essence)
	Interdit		Démarrage manuel du moteur
	Interdiction de fumer		Arrêt d'urgence
	Flamme nue interdite		Premiers secours
	Port de gants de protection obligatoire		ON/Marche
	Maintenez les personnes et les animaux domestiques à l'écart de la zone de travail		OFF/Arrêt
	Port de protections des yeux et des oreilles obligatoire		Pales en rotation - Risque de sectionnement des doigts ou de la main
	Surfaces chaudes - Risque de brûlures		Les cheveux longs risquent de se prendre dans les pièces en mouvement.

CONSIGNES DE SÉCURITÉ

Généralités

- Pour garantir un fonctionnement en toute sécurité, vous devez lire, assimiler et respecter les instructions figurant dans ce manuel pour vous familiariser avec la manipulation du souffleur (1). Les utilisateurs mal informés risquent, par des manipulations inappropriées, de se blesser ou de blesser leur entourage.
- Il est conseillé de ne prêter cet appareil qu'aux personnes ayant déjà une certaine expérience des souffleurs.
- Fournissez-leur aussi le manuel d'instruction.
- Les utilisateurs novices doivent demander au vendeur les explications de base leur permettant de se familiariser avec le souffleur.
- Les enfants et les jeunes gens de moins de 18 ans ne doivent pas être autorisés à utiliser le souffleur. Les personnes âgées de plus de 16 ans peuvent cependant utiliser l'outil pour apprendre à s'en servir, mais uniquement sous le contrôle direct d'un formateur qualifié.
- Utilisez toujours le souffleur avec prudence.
- N'utilisez la machine que si vous êtes en bonne condition physique.
- Faites très attention à tout ce que vous faites. En tant qu'utilisateur, vous êtes responsable des autres.
- N'utilisez jamais le souffleur lorsque vous êtes sous l'influence d'alcool ou de médicaments (2).
- N'utilisez pas l'appareil lorsque vous êtes fatigué.
- Conservez soigneusement ce manuel afin de pouvoir vous y référer ultérieurement.

Équipement de protection personnelle

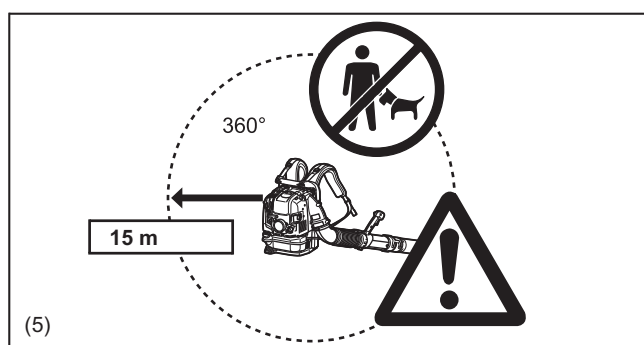
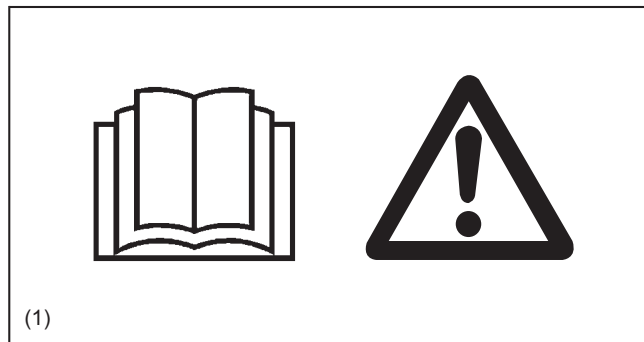
- Portez des vêtements fonctionnels et adaptés, c'est-à-dire ajustés, mais n'entravant pas vos mouvements. Ne portez pas de bijoux ou de vêtements qui pourraient être happés par l'entrée d'air, attachez les cheveux longs.
- Pour éviter les blessures à la tête, aux yeux, aux mains, aux pieds et les blessures auditives, portez les équipements et les vêtements de protection suivants lorsque vous utilisez le souffleur.

Prêtez une attention particulière aux consignes suivantes

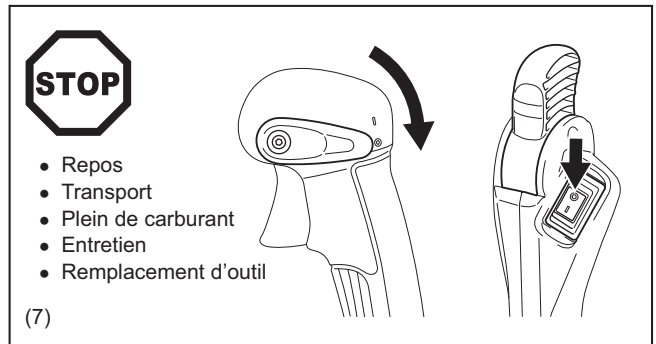
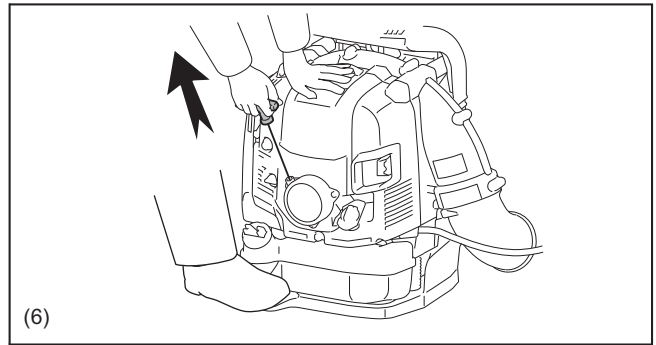
- Les vêtements doivent être résistants et ajustés, sans toutefois entraver la liberté de mouvement. Évitez les vestes amples, les pantalons à jambes larges, les écharpes, les cheveux longs non attachés, ou tout ce qui pourrait être happé par l'arrivée d'air. (4) Portez un bleu de travail ou un pantalon long pour protéger vos jambes. Ne portez pas de pantalon court. (4)
- Les appareils à moteur sont généralement bruyants et leur bruit risque d'altérer votre audition. Portez des protections antibruit (bouchons d'oreille, serre-tête antibruit). Si vous utilisez le souffleur de façon régulière et continue, faites vérifier votre ouïe régulièrement. (3)
- Le port de gants est recommandé lorsque vous utilisez le souffleur. Portez des chaussures solides à semelles antidérapantes. (4)
- Protégez-vous soigneusement les yeux. Même si l'évacuation est dirigée à l'opposé de l'utilisateur, des ricochets et des rebonds peuvent se produire en cours de fonctionnement. (3)
- N'utilisez jamais le souffleur sans porter des lunettes de sécurité munies d'une protection supérieure et latérale appropriées et conformes à la norme EN166 et à la réglementation en vigueur dans votre pays.
- Afin de réduire le risque de lésions liées à l'inhalation de poussière, portez un masque filtrant dans les milieux poussiéreux.

Démarrage du souffleur

- Assurez-vous que personne (et a fortiori aucun enfant) ne se trouve dans une zone d'action de 15 mètres autour de l'appareil (5). Faites aussi attention aux animaux. N'utilisez jamais le souffleur dans des zones urbaines.
- Avant le démarrage, vérifiez que le souffleur est en bon état de marche : Vérifiez le bon fonctionnement du levier de commande d'accélération. Celui-ci doit pouvoir être manipulé facilement et sans à-coup. Vérifiez le bon fonctionnement du système de verrouillage du levier de commande d'accélération. Assurez-vous que les poignées sont propres et sèches et vérifiez le fonctionnement du commutateur de marche/arrêt. Les poignées ne doivent pas présenter de traces d'huile ou de carburant.

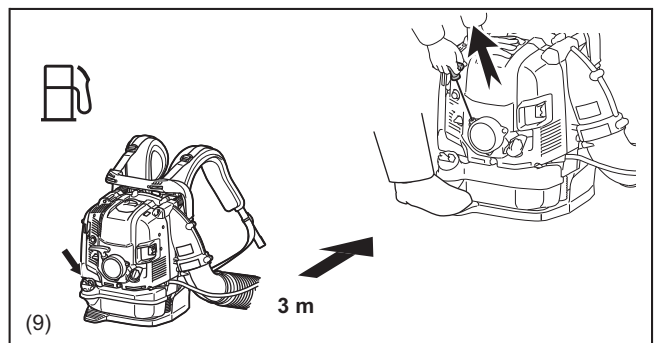
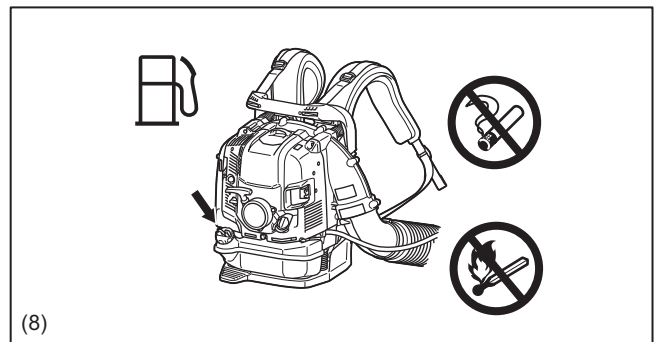


- Mettez le souffleur en marche en respectant les instructions. N'utilisez pas d'autres méthodes de mise en marche du moteur (6).
- Utilisez le souffleur et les outils fournis uniquement pour les applications spécifiées.
- Ne mettez le moteur du souffleur en marche qu'une fois l'outil entièrement assemblé. L'outil ne fonctionne que lorsque tous les accessoires appropriés sont montés.
- En cas de problème, arrêtez immédiatement le moteur.
- Lorsque vous travaillez avec le souffleur, tenez fermement la poignée en plaçant vos doigts autour de celle-ci, et en serrant la poignée de commande entre le pouce et l'index. Maintenez la main dans cette position pour garder le contrôle de l'appareil en permanence. Vérifiez que la poignée de commande est en bonne condition et qu'elle est exempte d'humidité, de goudron, d'huile ou de graisse. Gardez une bonne position d'équilibre et une prise ferme au sol.
- Portez le souffleur correctement sur les deux épaules lors de son utilisation. Ne portez pas le souffleur avec une seule courroie d'épaule. Le non-respect de cette consigne peut entraîner des blessures.
- Utilisez le souffleur de manière à éviter toute inhalation des gaz d'échappement. Ne mettez jamais le moteur en marche dans des locaux fermés (risques d'asphyxie et d'empoisonnement par les gaz d'échappement). Le monoxyde de carbone est un gaz inodore. Assurez-vous toujours que la ventilation est suffisante.
- Coupez le moteur pendant les pauses ou lorsque vous laissez le souffleur sans surveillance. Mettez-le en lieu sûr pour éviter de blesser l'entourage, de mettre le feu aux matériaux combustibles, ou d'endommager l'appareil.
- Ne posez jamais le souffleur chaud sur de l'herbe sèche ou des matériaux combustibles.
- Le souffleur doit être utilisé avec tous les dispositifs et les pièces de protection fournis.
- Ne faites jamais fonctionner l'appareil avec un silencieux défectueux.
- Arrêtez le moteur pendant le transport (7).
- Mettez le souffleur dans une position sûre pendant le transport en camion ou en voiture pour éviter les fuites de carburant.
- Lors du transport du souffleur, assurez-vous que le réservoir de carburant est totalement vide.
- Portez le souffleur en le tenant par sa poignée de transport. Ne tirez pas le souffleur par la buse, le tube ou une autre partie.
- Lorsque vous portez le souffleur, pensez à plier les genoux et faites attention à vos épaules et à vos lombaires.



Plein de carburant

- Coupez le moteur lors du remplissage du réservoir. (7) Tenez-vous à distance de toute flamme nue. (8) Ne fumez pas.
- Évitez tout contact de la peau avec les produits pétroliers. N'inhalez pas les vapeurs de carburant. Portez toujours des gants de protection. Changez et nettoyez régulièrement les vêtements de protection.
- Veillez à ne pas déverser de carburant ou d'huile, pour éviter de contaminer le sol (protection de l'environnement). En cas de déversement de carburant, nettoyez immédiatement le souffleur. Laissez sécher les chiffons humides avant de les jeter dans un conteneur approprié et couvert, pour éviter tout risque de combustion spontanée.
- Évitez tout contact du carburant avec vos vêtements. Changez-vous immédiatement en cas de déversement de carburant sur vos vêtements (risque d'incendie).
- Vérifiez régulièrement que le bouchon du réservoir est bien fermé.
- Serrez soigneusement la vis de verrouillage du réservoir de carburant. Éloignez-vous d'au moins 3 m de l'endroit où vous avez fait le plein avant de mettre le moteur en marche. (9)
- Ne faites jamais le plein dans des locaux fermés : les vapeurs de carburant s'accumulent au niveau du sol (risque d'explosion).
- Le carburant doit être transporté et stocké uniquement dans des conteneurs approuvés. Veillez à ce que les enfants n'aient pas accès au carburant stocké.
- Ne faites jamais le plein lorsque le moteur est chaud ou en marche.



Fonctionnement

- Utilisez le souffleur uniquement dans des endroits bien éclairés, où la visibilité est bonne. Faites attention aux zones glissantes ou humides, au verglas et à la neige (risque de chute) ainsi qu'aux espaces restreints. Conservez toujours un bon appui au sol.
- N'utilisez jamais le souffleur sur une surface instable ou sur une pente abrupte.
- Ne travaillez pas sur une échelle ou une zone en hauteur. Le non-respect de cette consigne peut entraîner des blessures.
- Pour réduire le risque de blessure, ne dirigez pas le jet d'air vers les personnes présentes ; la pression élevée de l'air peut causer une blessure aux yeux ou projeter des petits objets à très grande vitesse.
- Ne mettez jamais de corps étrangers dans l'entrée d'air ou dans la buse du souffleur. Cela endommagerait le ventilateur. De plus, l'éjection à grande vitesse des corps étrangers ou de pièces cassées risque de blesser l'utilisateur ou les personnes présentes.
- Tenez compte de la direction du vent, de façon à ne pas travailler contre le vent.
- Pour éviter de chute et de perte le contrôle de l'appareil, ne reculez jamais pendant son utilisation.
- Coupez toujours le moteur avant tout nettoyage, entretien ou remplacement de pièces de l'appareil.
- Faites des pauses afin d'éviter toute perte de contrôle due à la fatigue. Nous vous recommandons une pause de 10 à 20 minutes toutes les heures.
- N'utilisez pas l'appareil près des fenêtres, etc.
- Pour réduire les dommages corporels dus aux vibrations et au bruit, faites fonctionner l'appareil à vitesse lente si possible et limitez la durée d'utilisation.
- Utilisez l'appareil uniquement à des heures raisonnables. N'utilisez pas le souffleur tôt le matin ou tard le soir lorsque vous risquez de déranger le voisinage.
- Il est recommandé de décompacter les débris à l'aide d'un râteau ou d'un balai avant soufflage.
- Dans les milieux poussiéreux, humidifiez légèrement les surfaces avant soufflage, ou utilisez un pulvérisateur d'eau si nécessaire.
- Réglez la longueur de la buse du souffleur afin que le jet d'air soit soufflé près du sol.
- Afin de réduire le niveau sonore, limitez le nombre d'équipements utilisés simultanément.

NETTOYEZ après utilisation du souffleur ou d'autres équipements ! Mettez les débris dans des poubelles.

Instructions d'entretien

- Respectez l'environnement. Limitez autant que possible le bruit et la pollution lorsque vous utilisez le souffleur. Vérifiez en particulier que le carburateur est réglé correctement.
- Nettoyez régulièrement le souffleur et vérifiez que toutes les vis et tous les écrous sont bien serrés.
- Le souffleur doit toujours être entretenu et stocké à l'écart des flammes nues, des étincelles, etc (11).
- Remisez toujours le souffleur dans un local bien ventilé et fermant à clé, et videz le réservoir.

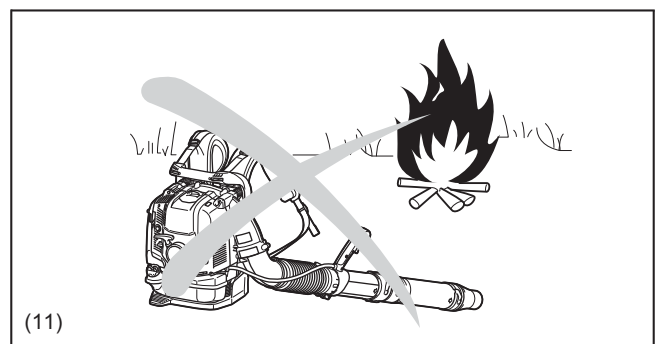
Respectez toutes les consignes de prévention d'accidents des associations professionnelles et des compagnies d'assurances. Ne modifiez pas le souffleur, sous peine de compromettre votre sécurité.

N'effectuez aucune opération d'entretien ou de réparation qui ne soit pas prévue par ce manuel. Toutes les autres opérations doivent être effectuées par des techniciens agréés.

Utilisez uniquement des pièces de rechange et des accessoires d'origine, fournis par Makita.

L'utilisation d'accessoires et d'outils non agréés augmente les risques d'accident et de blessure. Makita décline toute responsabilité en cas d'accident ou de dommage provoqué par l'utilisation de pièces ou d'accessoires non agréés.

Ne modifiez jamais l'équipement. Le non-respect de cette consigne peut entraîner des accidents ou des blessures graves.

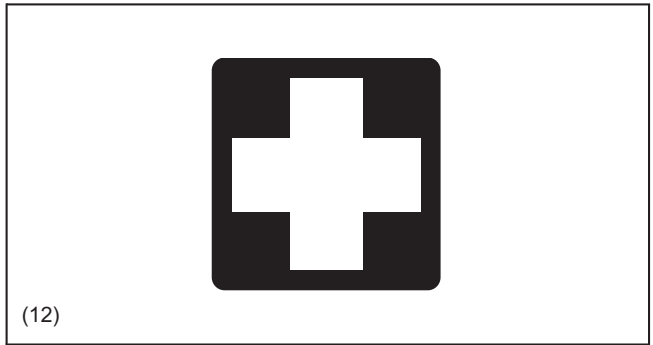


Premiers secours

Veillez à avoir toujours à portée de la main une trousse de premiers secours complète. Remplacez immédiatement tout article utilisé.

En cas d'accident, appelez les services de secours et fournissez-leur les informations suivantes :

- lieu de l'accident
- circonstances de l'accident
- nombre de personnes blessées
- gravité des blessures
- votre nom



Pour l'Europe uniquement

Déclaration de conformité CE

Je soussigné, représentant de Makita Corporation, fabricant, déclare que la (les) machine(s) Makita suivante(s) :

Désignation de la machine : Souffleur à essence

N° de modèle/type : EB7650TH, EB7650WH

Spécifications : voir le tableau « CARACTÉRISTIQUES TECHNIQUES »

est un produit de série et

est conforme aux directives européennes suivantes :

2000/14/CE, 2006/42/CE

et est fabriqué conformément aux normes ou aux documents normalisés suivants :

EN15503

La documentation technique est disponible auprès de notre représentant agréé en Europe :

Makita International Europe Ltd.,

Michigan Drive, Tongwell, Milton Keynes, Bucks MK15 8JD, Angleterre

La procédure d'évaluation de la conformité requise par la Directive 2000/14/CE a été réalisée en conformité avec l'annexe V.

Niveau de puissance acoustique mesuré : 110 dB

Niveau de puissance acoustique garanti : 111 dB

6. 8. 2013



Tomoyasu Kato

Directeur

Makita Corporation

3-11-8, Sumiyoshi-cho,

Anjo, Aichi, JAPON

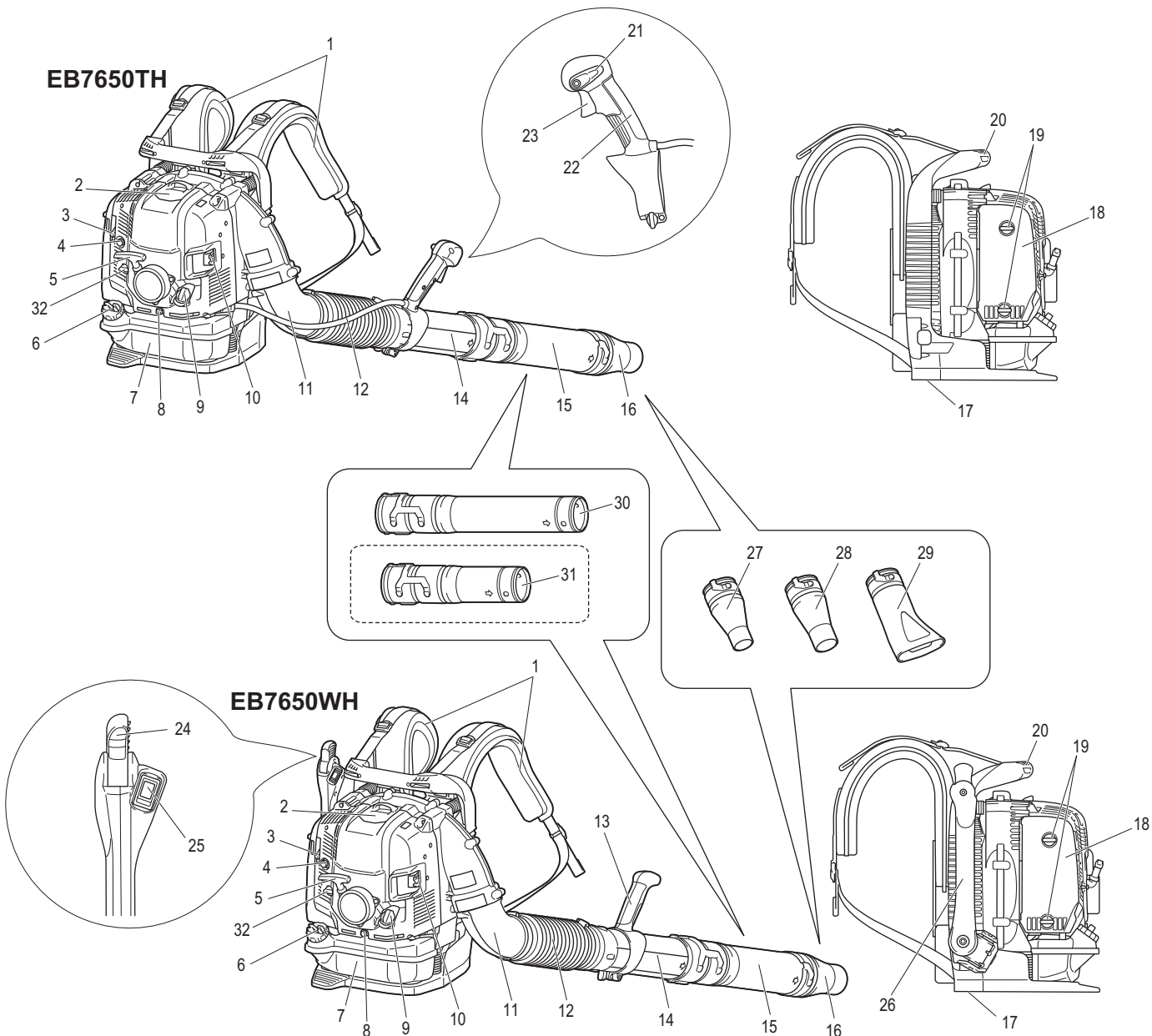
CARACTÉRISTIQUES TECHNIQUES

Modèle				EB7650TH	EB7650WH		
Type de commande d'accélération				Commande d'accélération sur le tube	Commande d'accélération à la hanche		
Poids (sans le tube du souffleur) (kg)				10,8	11,0		
Dimensions (sans le tube du souffleur) (L x l x H) (mm)				332 x 460 x 480	332 x 510 x 480		
Vitesse de l'air	(avec tube long)	(avec buse haute vitesse)		(m/s)	89		
		(avec buse haut débit)			81		
		(avec buse plate)			86		
	(avec tube court)	(avec buse haute vitesse)			90		
		(avec buse haut débit)			81		
		(avec buse plate)			87		
Débit volumétrique d'air	(avec tube long)	(avec buse haute vitesse)		(m ³ /minute)	17		
		(avec buse haut débit)			19		
		(avec buse plate)			17		
	(avec tube court)	(avec buse haute vitesse)			17		
		(avec buse haut débit)			19		
		(avec buse plate)			17		
Vitesse max. du moteur (avec buse haute vitesse) (min ⁻¹)				7 100			
Vitesse au ralenti (min ⁻¹)				2 800			
Cylindrée du moteur (cm ³)				75,6			
Carburant				Essence automobile			
Capacité du réservoir de carburant (cm ³)				1 900			
Huile moteur				huile SAE 10W-30 de classe SF ou supérieure, selon la norme API (huile pour moteur automobile 4 temps)			
Capacité du réservoir d'huile moteur (cm ³)				220			
Carburateur (type)				Carburateur à diaphragme			
Bougie				NGK CMR6A			
Distance entre électrodes (mm)				0,7 – 0,8			
Vibrations selon EN15503 2009	Poignée droite	a _{hv eq}	(avec tube long)	(avec buse haute vitesse)	(m/s ²)	2,5	2,7
				(avec buse haut débit)		2,3	2,3
				(avec buse plate)		4,1	4,8
		(avec tube court)	(avec buse haute vitesse)	3,1		2,7	
			(avec buse haut débit)	2,8		2,3	
			(avec buse plate)	3,7		5,1	
	Incertitude (K)					2,2	3,0
	Poignée gauche (bras de commande)	a _{hv eq}	(avec tube long)	(avec buse haute vitesse)		0,7	
				(avec buse haut débit)		0,7	
				(avec buse plate)		0,9	
		(avec tube court)	(avec buse haute vitesse)	0,8			
			(avec buse haut débit)	0,7			
			(avec buse plate)	0,9			
	Incertitude (K)					0,5	
	Niveau de pression acoustique moyen selon EN15503: 2009					L _{PA eq} dB(A)	100
						Incertitude (K) dB(A)	1,5
	Niveau de puissance acoustique moyen selon EN15503: 2009					L _{WA eq} dB(A)	110
						Incertitude (K) dB(A)	1,0

Notes :

- Étant donné l'évolution constante de notre programme de recherche et développement, les spécifications contenues dans ce manuel sont sujettes à modification sans préavis.
- Les spécifications peuvent varier suivant les pays.

NOMENCLATURE



1. Courroie d'épaules	9. Bouchon du réservoir d'huile	17. Crépine de l'entrée d'air	25. Interrupteur d'arrêt
2. Cache de bougie	10. Silencieux	18. Couvercle du filtre à air	26. Bras de commande
3. Levier du dispositif de démarrage à froid	11. Coude	19. Boulon (du couvercle du filtre à air)	27. Buse haute vitesse
4. Pompe d'amorçage	12. Tuyau flexible	20. Poignée de transport	28. Buse haut débit
5. Poignée de démarrage	13. Poignée de montage	21. Levier de commande d'arrêt	29. Buse plate
6. Bouchon du réservoir de carburant	14. Tube rotatif	22. Poignée de commande	30. Tube long
7. Réservoir de carburant	15. Tube (long/court)	23. Gâchette de commande d'accélération	31. Tube court (accessoire en option)
8. Boulon de vidange d'huile	16. Buse	24. Levier de commande d'accélération	32. Levier du dispositif antigivrage

• Les accessoires standard peuvent varier d'un pays à l'autre.

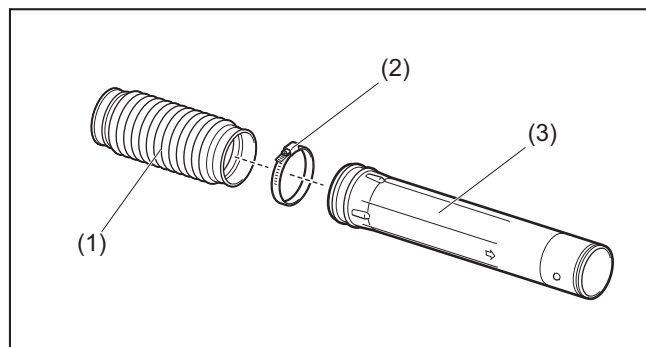
INSTRUCTIONS DE MONTAGE

MONTAGE DES TUBES DU SOUFFLEUR

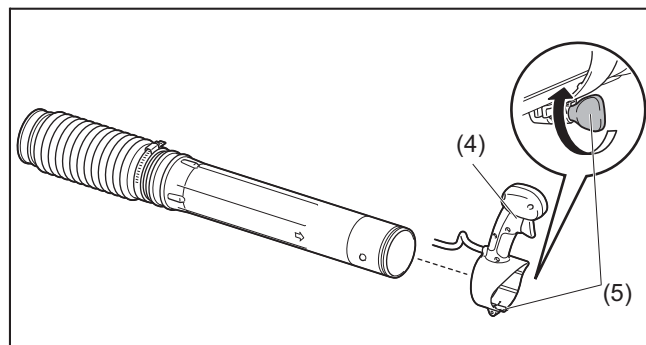
⚠ ATTENTION :

- Avant toute opération sur le souffleur, coupez toujours le moteur et débranchez les connecteurs de bougie.
- Portez toujours des gants de protection !
- Ne mettez le souffleur en marche que lorsqu'il est complètement monté.
- Portez toujours des gants de protection !

1. Insérez le tube rotatif (3) dans le tuyau flexible (1) et assemblez-les avec le collier de serrage (2).



2. Installez la poignée de commande/de montage (4) sur le tube rotatif et assemblez-les avec la vis de blocage (5).



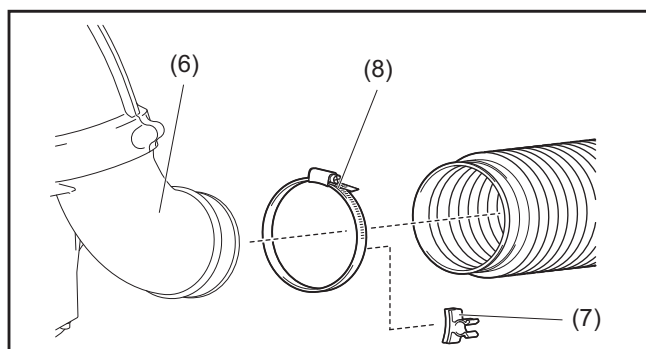
3. Modèle à commande d'accélération sur le tube

Insérez le tuyau flexible dans le coude (6) du souffleur.

Montez le support de câble (7) entre le collier de serrage (8) et le coude.

Assemblez le support de câble, le tuyau flexible et le coude avec le collier de serrage.

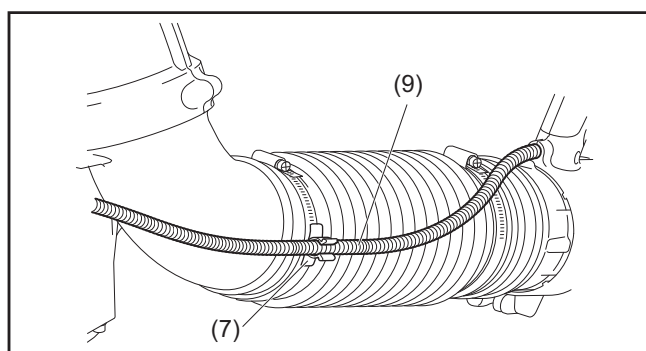
Montez le câble de commande (9) sur le support de câble (7).



Modèle à commande d'accélération à la hanche

Insérez le tuyau flexible dans le coude (6) du souffleur.

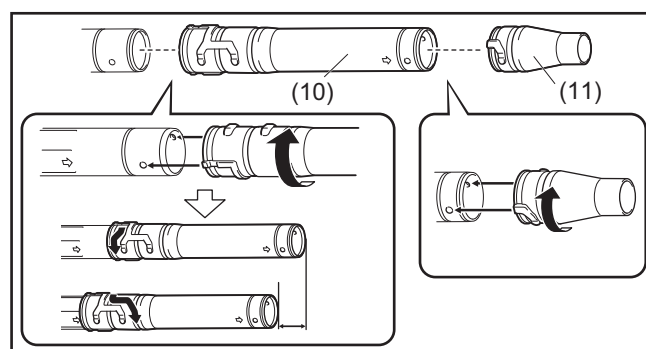
Assemblez le tuyau flexible et le coude avec le collier de serrage (8).



4. Montez le tube long/court (10) sur le tube rotatif. Tournez le tube long/court dans le sens des aiguilles d'une montre pour le verrouiller.

Montez ensuite la buse du souffleur (11) sur le tube long/court. Tournez la buse du souffleur dans le sens des aiguilles d'une montre pour la verrouiller.

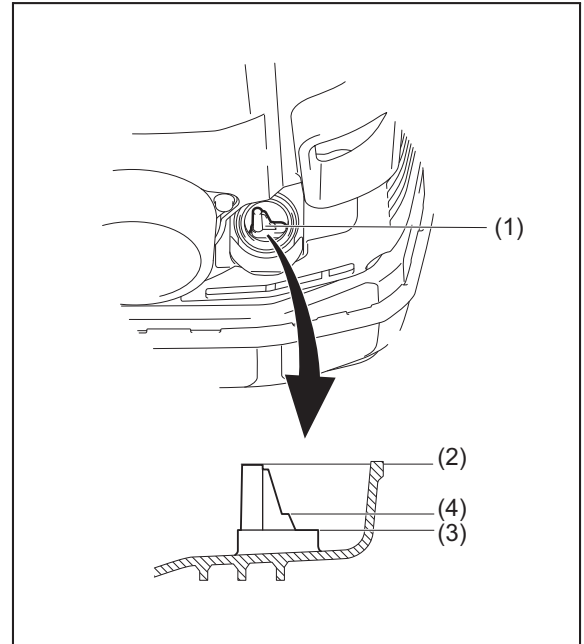
5. Vérifiez que tous les dispositifs de fixation sont serrés.



AVANT DE DÉMARRER LE MOTEUR

1. Vérification du niveau d'huile moteur et ajout d'huile

- 1) Suivez la procédure ci-dessous. Le moteur doit être froid. Le non-respect de cette consigne peut entraîner des brûlures cutanées.
 - Vérification : Placez le souffleur par terre sur une surface plane et retirez le bouchon du réservoir d'huile. Vérifiez le niveau d'huile (1). Assurez-vous que le niveau d'huile se trouve entre les repères supérieur (2) et inférieur de (3) l'indicateur de niveau d'huile. Si le niveau est inférieur à 100 ml (4), ajoutez de l'huile neuve.
 - Ajout d'huile : Placez le souffleur par terre sur une surface plane et retirez le bouchon du réservoir d'huile. Remplissez avec de l'huile jusqu'au repère supérieur de l'indicateur de niveau d'huile.
- 2) En moyenne, le niveau d'huile moteur doit être ajusté toutes les 20 heures d'utilisation, ce qui correspond à 10 – 15 pleins de carburant.
- 3) Changez l'huile lorsqu'elle est sale ou lorsque sa couleur change de manière significative (Voir « **Remplacement de l'huile moteur** » pour la procédure et la fréquence de l'opération.)



Huile recommandée : huile Makita ou huile SAE10W-30 de classe SF ou supérieure, selon la norme API (huile pour moteur 4 temps)
Capacité du réservoir d'huile : environ 0,22 l (220 ml)

NOTE :

- Si le souffleur n'est pas rangé verticalement, l'huile risque de passer de l'indicateur de niveau dans le moteur et donner une fausse indication de niveau lors de la vérification. Ceci peut entraîner un remplissage excessif lors de l'ajout d'huile. Rangez toujours le souffleur verticalement.
- En cas de remplissage excessif, l'huile peut jaillir du reniflard du filtre à air et encrasser les pièces voisines, ou bien la combustion du surplus d'huile risque de brûler en dégageant une fumée blanche.

Démontage/remise en place du bouchon du réservoir d'huile

- Nettoyez autour de l'orifice de remplissage avant de retirer le bouchon.
- Le bouchon démonté doit rester exempt de terre et de sable. Sinon, la terre et le sable collés au bouchon du réservoir d'huile peuvent entraîner une circulation d'huile irrégulière et une usure du moteur, et provoquer des dysfonctionnements.

Après l'ajout d'huile

- Nettoyez avec un chiffon tout déversement d'huile.

2. Plein de carburant

AVERTISSEMENT :

- Lors du plein, assurez-vous que les instructions suivantes sont respectées pour éviter toute inflammation, tout incendie et toute blessure :
 - Le plein de carburant doit se faire en absence de source d'incendie. N'approchez jamais de source d'incendie (cigarette allumée, etc.) du lieu où vous faites le plein.
 - Arrêtez le moteur et laissez-le refroidir avant de faire le plein.
 - Faites le plein sur une surface plane. Ne faites pas le plein sur une surface instable ou dans un endroit mal ventilé.
 - Faites le plein dans un endroit bien éclairé, où la visibilité est bonne.
 - Faites le plein dans un endroit ouvert et dégagé.
 - Ouvrez doucement le bouchon du réservoir de carburant. Le carburant risque de se répandre sous l'effet de la pression interne.
 - Faites attention à ne pas déverser de carburant. Nettoyez tout déversement de carburant.
 - Faites le plein dans un endroit bien ventilé.
- Manipulez le carburant avec soin.
 - Le carburant adhérent à la peau ou pénétrant dans les yeux peut causer des allergies ou une irritation. En cas de trouble physique, consultez immédiatement un médecin spécialiste.
- NE versez PAS d'huile dans le réservoir de carburant.

DURÉE DE STOCKAGE DU CARBURANT

Le carburant doit être utilisé dans un délai de 4 semaines, même s'il est conservé dans un conteneur spécial dans un emplacement bien aéré et à l'ombre.

Autrement, le carburant peut se détériorer en une journée.

Stockage de l'appareil et du conteneur de carburant

- Conservez l'appareil et le conteneur dans un endroit frais, à l'abri du soleil direct.
- Ne laissez jamais le carburant dans une voiture.

CARBURANT

Le moteur est à quatre temps. Utilisez de l'essence ordinaire ou du supercarburant.

Points essentiels pour le carburant

- N'utilisez jamais d'essence contenant de l'huile moteur, sous peine d'accumulation excessive de carbone ou de problèmes mécaniques.
- L'utilisation d'une huile détériorée entraîne un démarrage irrégulier.

Arrêtez le moteur et laissez-le refroidir avant de faire le plein.

REPLISSAGE DU RÉSERVOIR DE CARBURANT

- Desserrez légèrement le bouchon du réservoir pour libérer la pression du réservoir.
- Enlevez le bouchon du réservoir et faites le plein. Inclinez le réservoir afin d'orienter l'orifice de remplissage vers le haut. NE remplissez PAS le réservoir de carburant à ras bord.
- Une fois le plein effectué, remettez le bouchon en place et serrez-le fermement.
- En cas de défaut ou de détérioration du bouchon, remplacez-le.
- Le bouchon se détériore au fil du temps. Remplacez-le tous les deux à trois ans.
- NE versez PAS de carburant dans l'orifice de remplissage d'huile.

FUNCTIONNEMENT

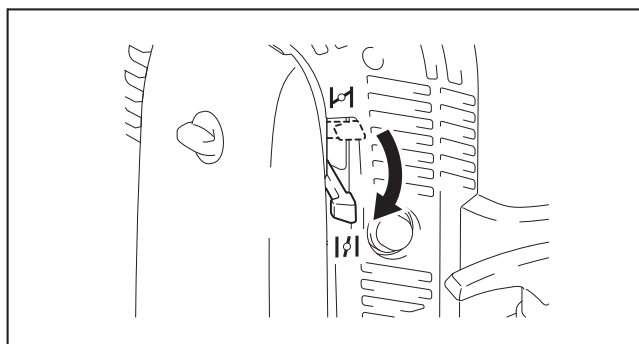
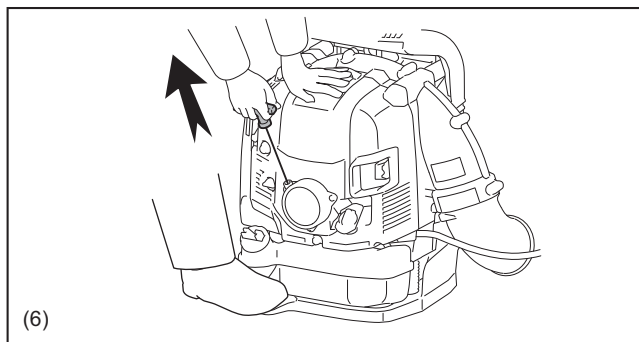
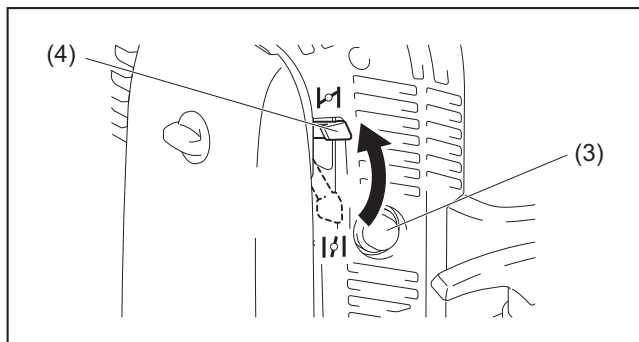
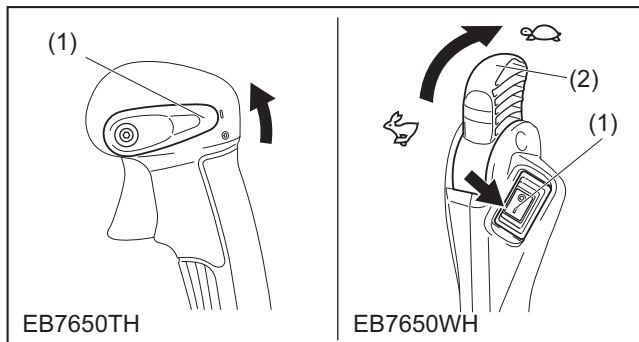
1. Mise en marche

⚠ AVERTISSEMENT :

- N'essayez jamais de démarrer le moteur à l'endroit où vous avez effectué le plein.
 - Il y a risque d'inflammation ou d'incendie. Éloignez-vous d'au moins 3 m avant de mettre le moteur en marche.
- Les gaz d'échappement du moteur sont toxiques. Ne faites pas tourner le moteur dans un endroit mal ventilé, par exemple dans un tunnel, un bâtiment, etc.
 - Le fonctionnement du moteur dans un endroit mal ventilé peut entraîner un empoisonnement aux gaz d'échappement.
- En cas d'odeurs, de vibrations, de bruits anormaux après le démarrage, arrêtez immédiatement le moteur et effectuez une inspection.
 - Si vous faites fonctionner le moteur sans résoudre ces anomalies, un incident risque de se produire.
- Ne touchez pas le carter du moteur chaud. Le non-respect de cette consigne peut entraîner des brûlures cutanées.
- Vérifiez l'absence de fuites de carburant avant de démarrer le moteur.
- Vérifiez que le moteur s'arrête lorsque vous mettez l'interrupteur d'arrêt dans la position « O ».

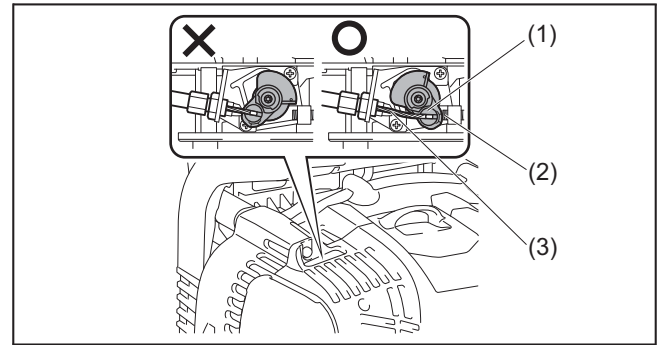
1) Lorsque le moteur est froid, ou après avoir fait le plein (démarrage à froid)

- (1) Placez le souffleur sur une surface plane.
- (2) Modèle à commande d'accélération sur le tube
Mettez le levier de commande d'arrêt (1) en position « I ».
- (2) Modèle à commande d'accélération à la hanche
Mettez l'interrupteur d'arrêt (1) en position « I ».
Assurez-vous que le levier de commande d'accélération (2) est réglé sur la position vitesse lente.
- (3) Appuyez de façon répétée sur la pompe d'amorçage (3) jusqu'à ce que le carburant pénètre dans la pompe d'amorçage.
 - Il faut en général appuyer 7 à 10 fois pour que le carburant arrive dans le carburateur.
 - Si vous effectuez un trop grand nombre de pressions sur la pompe d'amorçage, le carburant en excès est renvoyé vers le réservoir.
- (4) Mettez le levier du dispositif de démarrage à froid (4) en position fermée.
- (5) Appuyez sur la pédale avec votre pied droit et maintenez le dessus du carter de l'appareil avec votre main gauche pour empêcher celui-ci de bouger.
- (6) Tirez doucement sur la poignée de démarrage jusqu'à ce que vous sentiez la compression.
Tirez-la ensuite fortement.
 - Ne tirez jamais la corde jusqu'au bout.
 - Laissez la poignée de démarrage revenir doucement dans son logement. Sinon, la poignée risque de vous heurter, et la corde risque de ne pas se réenrouler correctement.
- (7) Lorsque le moteur démarre, mettez le levier du dispositif de démarrage à froid en position ouverte.
 - Ouvrez le dispositif de démarrage à froid à fond lors de la vérification du fonctionnement du moteur.
 - Par temps froid ou lorsque le moteur n'est pas assez chaud, n'ouvrez jamais le dispositif de démarrage à froid brusquement. Le moteur risque de s'arrêter.
- (8) Poursuivez le préchauffage pendant 2 à 3 minutes.
- (9) Le préchauffage du moteur est terminé lorsque le moteur passe rapidement du bas régime au plein régime.



NOTE :

- Vous risquez d'endommager le moteur si vous poussez le levier du dispositif de démarrage à froid au-delà de la position « CLOSE » (fermée).
- Si le moteur tourne et s'arrête, remettez ce levier en position « OPEN » (ouverte) et tirez plusieurs fois sur la poignée de démarrage pour faire redémarrer le moteur.
- Si vous tirez sur la poignée de démarrage plusieurs fois avec le levier du dispositif de démarrage à froid en position « CLOSE », vous risquez de noyer le moteur par excès de carburant.
- Dans ce cas, enlevez la bougie et tirez plusieurs fois rapidement sur la poignée pour éliminer l'excès de carburant. Séchez l'électrode de la bougie.
- Lorsque la vanne d'étranglement (1) ne revient pas à sa position de contact avec la vis de réglage du ralenti (2) même lorsque le levier de commande d'accélération est en position vitesse lente, modifiez la position d'accrochage du câble de commande (3) pour garantir le bon retour de la vanne.

**2) Lorsque le moteur est chaud (démarrage à chaud)**

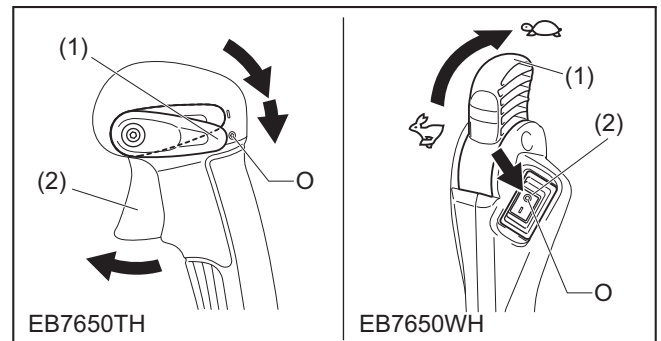
- (1) Placez l'appareil sur une surface plane.
- (2) Appuyez plusieurs fois sur la pompe d'amorçage.
- (3) Vérifiez que le levier du dispositif de démarrage à froid est en position ouverte.
- (4) Appuyez sur la pédale avec votre pied droit et maintenez le dessus de l'appareil avec votre main gauche pour empêcher celui-ci de bouger.
- (5) Tirez doucement sur la poignée de démarrage jusqu'à ce que vous sentiez la compression. Tirez ensuite à fond.
- (6) Si le moteur démarre difficilement, ouvrez la vanne d'étranglement d'environ 1/3.

2. Arrêt**Modèle à commande d'accélération sur le tube**

Relâchez la gâchette de commande (2) et mettez-le levier de commande d'arrêt (1) en position « O ».

Modèle à commande d'accélération à la hanche

Mettez le la gâchette de commande d'accélération (1) en position vitesse lente pour réduire la vitesse du moteur. Mettez ensuite l'interrupteur d'arrêt (2) en position « O ».



RÉGLAGE DU RALENTI

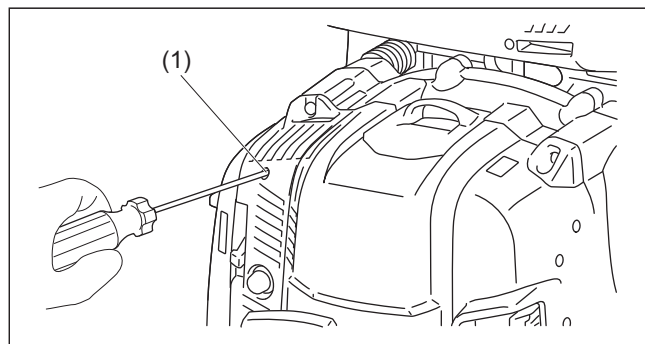
⚠ ATTENTION :

- Le carburateur est réglé en usine. Vous pouvez régler uniquement le ralenti. Pour tout autre réglage, adressez-vous à un centre technique agréé Makita.

Vérification de la rotation à vitesse lente

Réglez la rotation à vitesse lente sur 2 800 tr/m.

- S'il est nécessaire de changer la vitesse de rotation, ajustez la position de la vis de réglage du ralenti (1) avec un tournevis cruciforme.
- Pour augmenter la vitesse du moteur, tournez la vis de réglage vers la droite. Pour réduire la vitesse du moteur, tournez la vis de réglage vers la gauche.



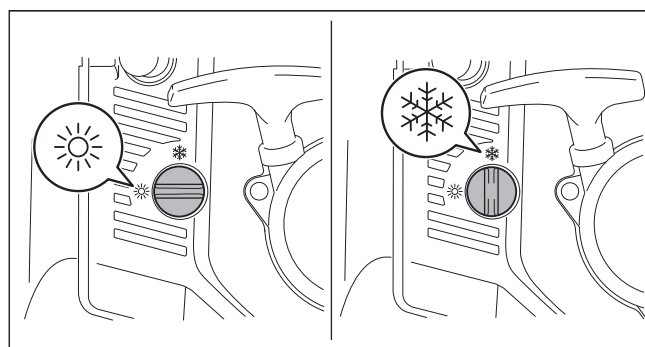
PRÉVENTION DU GIVRAGE DU CARBURATEUR

⚠ ATTENTION :

- Lorsque la température ambiante est supérieure à 10 °C, remplacez toujours le levier sur le réglage normal (symbole : soleil). Autrement, le moteur risque de surchauffer et de s'abîmer.

Lorsque la température ambiante est basse et que l'humidité est élevée, de la vapeur d'eau risque de geler à l'intérieur du carburateur (givrage du carburateur), et le fonctionnement du moteur devient irrégulier. Si nécessaire, modifiez le réglage du levier du dispositif antigivrage comme suit.

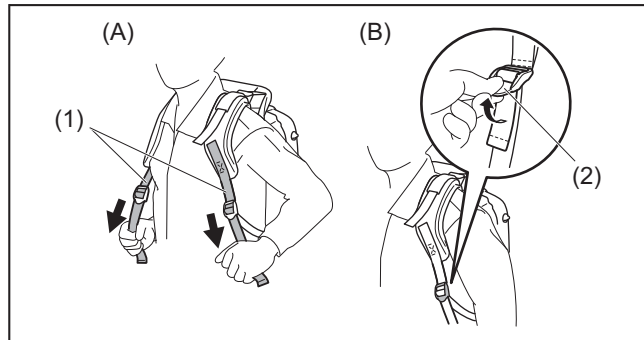
- Température ambiante supérieure à 10 °C : Placez le levier en position normale (symbole : soleil).
- Température ambiante inférieure ou égale à 10 °C : Placez le levier en position antigivrage (symbole : neige).



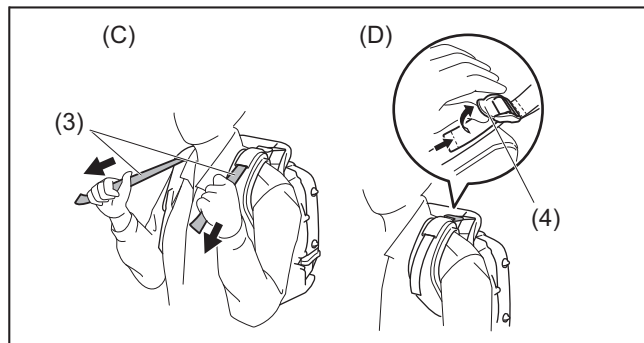
MODE OPÉRATEUR

1. Réglage des courroies d'épaule

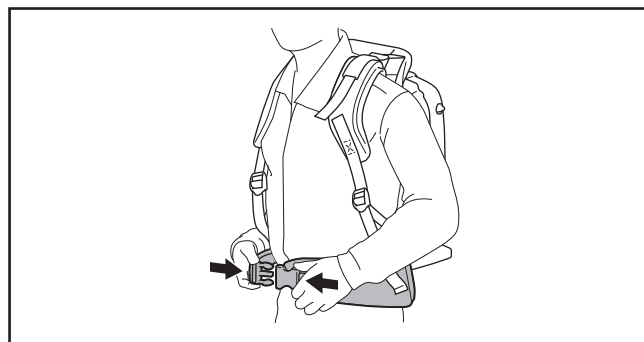
Régalez les courroies d'épaule (1) à une longueur adéquate vous permettant de porter le souffleur confortablement pour travailler. Pour raccourcir la courroie (A), tirez l'extrémité de celle-ci vers le bas. Pour allonger la courroie (B), tirez sur l'extrémité de la fixation (2).



Tirez sur les courroies de stabilisation (3) jusqu'à ce qu'il n'y plus d'espace entre votre dos et le corps du souffleur. Pour raccourcir la courroie (C), tirez l'extrémité de celle-ci vers le bas. Pour allonger la courroie (D), tirez sur l'extrémité de la fixation (4).



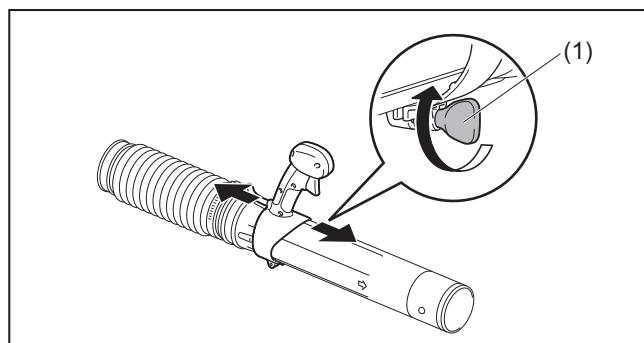
La ceinture de hanche (accessoire en option) permet à l'utilisateur de porter l'outil en conservant une meilleure stabilité.



2. Réglage du levier de commande

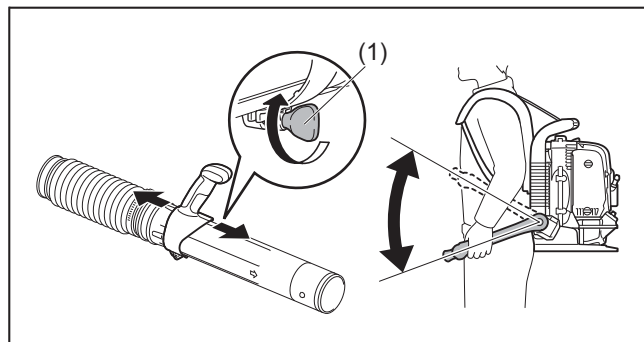
Modèle à commande d'accélération sur le tube

Déplacez la poignée de commande le long du tube rotatif sur la position la plus confortable. Fixez ensuite la poignée de commande avec la vis (1).



Modèle à commande d'accélération à la hanche

Déplacez la poignée de montage le long du tube rotatif sur la position la plus confortable. Fixez ensuite la poignée avec la vis (1). Réglez l'angle du bras de commande dans une position de travail confortable.



3. Utilisation du souffleur

- 1) Lorsque vous utilisez le souffleur, réglez la gâchette/le levier de commande d'accélération de sorte que la force du jet d'air soit appropriée au lieu et aux conditions de travail.
- 2) Réglage de la vitesse du moteur.

Modèle à commande d'accélération sur le tube

Pour augmenter la vitesse du moteur, appuyez sur la gâchette de commande d'accélération (1). Pour réduire la vitesse du moteur, relâchez la gâchette de commande d'accélération.

Réglage de la vitesse du moteur à l'aide de la fonction de régulation automatique de la vitesse :

La fonction de régulation automatique de la vitesse vous permet de maintenir la vitesse du moteur constante sans devoir utiliser la gâchette de commande d'accélération.

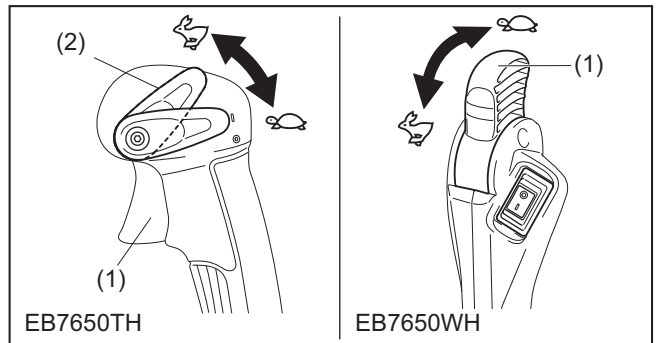
Pour augmenter la vitesse du moteur, placez le levier de commande d'arrêt (2) en position vitesse rapide.

Pour réduire la vitesse du moteur, placez le levier de commande d'arrêt en position vitesse lente.

Modèle à commande d'accélération à la hanche

Pour augmenter la vitesse du moteur, placez le levier de commande d'accélération (1) en position vitesse rapide.

Pour réduire la vitesse du moteur, placez le levier de commande d'accélération en position vitesse lente.



TRANSPORT ET REMISAGE DU SOUFFLEUR

⚠ ATTENTION :

- Lorsque vous transportez le souffleur, veillez à arrêter le moteur.

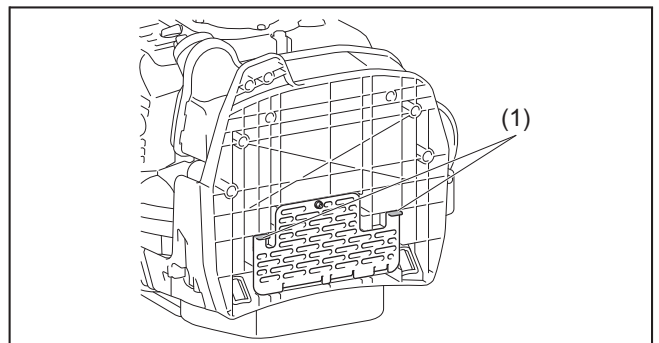
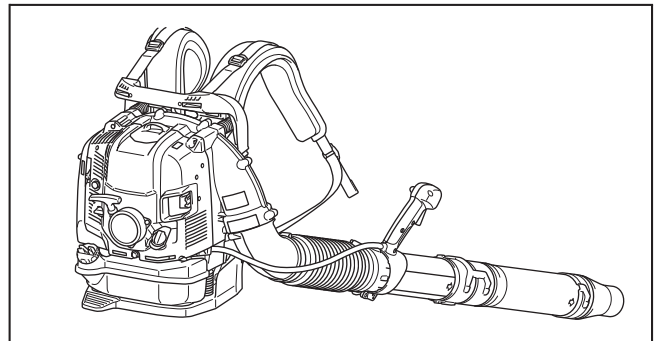
Ne vous asseyez pas sur le souffleur, ne montez pas et ne placez pas d'objet lourd dessus. Vous risqueriez d'abîmer l'outil.

Transportez et remisez le souffleur en position verticale.

Si vous transportez ou remisez le souffleur dans une autre position, de l'huile risque de se déverser dans le moteur du souffleur. Ceci risque d'entraîner des fuites d'huile, un dégagement de fumée blanche due à la combustion de l'huile et l'encrassement de filtre à air.

Ne traînez pas le souffleur lorsque vous le transportez. Sinon, vous risquez d'endommager le corps du souffleur ou la crépine de l'entrée d'air, ce qui peut entraîner l'apparition de rouille.

* La crépine de l'entrée d'air est munie de contacts de mise à la terre (1) qui éliminent l'électricité statique par écoulement à la terre.



INSPECTION ET ENTRETIEN

⚠ ATTENTION :

- Arrêtez le moteur et laissez-le refroidir avant tout travail d'inspection ou d'entretien. Enlevez la bougie et le capuchon de bougie.
 - Le non-respect de cette consigne risque d'entraîner un démarrage accidentel pouvant causer des brûlures cutanées ou des blessures graves.
- Après inspection et entretien, vérifiez que toutes les pièces ont bien été remontées avant d'utiliser le souffleur.

1. Remplacement de l'huile moteur

Une huile moteur dégradée diminue considérablement la durée de vie des pièces mobiles. Vérifiez la périodicité de remplacement de l'huile ainsi que le volume.

⚠ ATTENTION :

- Le bloc moteur et l'huile moteur sont très chaud juste après l'arrêt du moteur. Lors du remplacement de l'huile, assurez-vous que le bloc moteur et l'huile moteur ont suffisamment refroidi. Le non-respect de cette consigne peut entraîner des brûlures. Attendez suffisamment longtemps après l'arrêt du moteur pour permettre à l'huile moteur de retourner dans le réservoir d'huile, afin d'obtenir une indication précise du niveau d'huile.
- En cas de remplissage excessif, l'huile peut s'encrasser ou risque de brûler en dégageant une fumée blanche.

Intervalle de remplacement : Après les 20 premières heures de fonctionnement, et ensuite toutes les 50 heures de fonctionnement
Huile recommandée : huile SAE10W-30 de classe SF ou supérieure, selon la norme API (huile pour moteur 4 temps)

Procédure de changement de l'huile

Veillez suivre les étapes ci-dessous pour changer l'huile.

- (1) Placez le souffleur sur une surface plane.
- (2) Placez un récipient sous l'orifice de vidange (1) pour collecter l'huile usagée lors de son écoulement. La capacité du récipient doit être au minimum de 220 ml pour pouvoir récupérer toute l'huile.
- (3) Desserrez le boulon de vidange d'huile (2) pour laisser l'huile s'écouler. Faites attention à ne pas laisser l'huile couler sur le réservoir de carburant ou sur d'autres pièces.

⚠ ATTENTION :

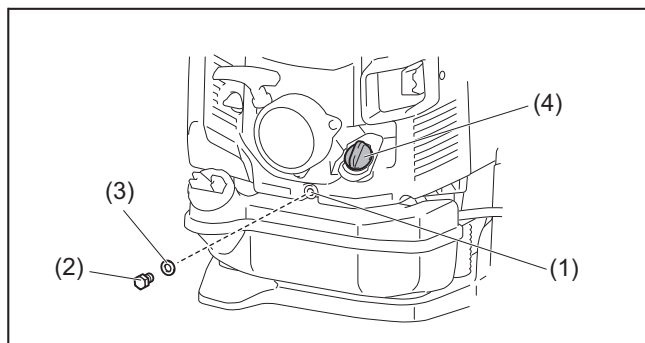
- Veillez à ne pas perdre le joint (rondelle en aluminium) (3). Placez le boulon de vidange d'huile (2) dans un endroit où il ne risque pas d'être sali.
- (4) Retirez le bouchon du réservoir d'huile (4). (Le retrait du bouchon du réservoir d'huile (4) permet à l'huile de s'écouler facilement.)

⚠ ATTENTION :

- Veillez à placer le bouchon du réservoir d'huile (4) dans un endroit où il ne risque pas d'être sali.
- (5) À mesure que le niveau d'huile dans le réservoir diminue, inclinez le souffleur sur le côté pour vidanger complètement l'huile.
 - (6) Une fois la vidange terminée, remettez le boulon de vidange d'huile (2) en place et serrez-le fermement. Si le boulon n'est pas assez serré, une fuite d'huile risque de se produire.

⚠ ATTENTION :

- N'oubliez pas de remonter le joint (rondelle en aluminium) (3) lorsque vous remettez le boulon de vidange d'huile en place.
- (7) L'ajout l'huile après la vidange se fait selon la même procédure (décrite précédemment) que pour l'ajout d'huile lorsque le niveau est insuffisant. Ajoutez toujours l'huile par l'orifice correspondant au bouchon du réservoir d'huile. (niveau d'huile spécifié : environ 220 ml)
 - (8) Après avoir rempli le réservoir d'huile, refermez bien le bouchon (4) pour éviter les fuites.



Points essentiels pour le remplacement de l'huile moteur

- Ne jetez jamais l'huile moteur avec les ordures ménagères, ne le déversez pas sur le sol ou dans les égouts. L'élimination de l'huile est réglementée par la loi. Conformez-vous aux lois et réglementations applicables. Si vous avez besoin d'informations supplémentaires, contactez un technicien agréé.
- L'huile se dégrade même si elle n'est pas utilisée. Vérifiez-la et remplacez-la régulièrement (vidange complète tous les 6 mois).

2. Nettoyage du filtre à air



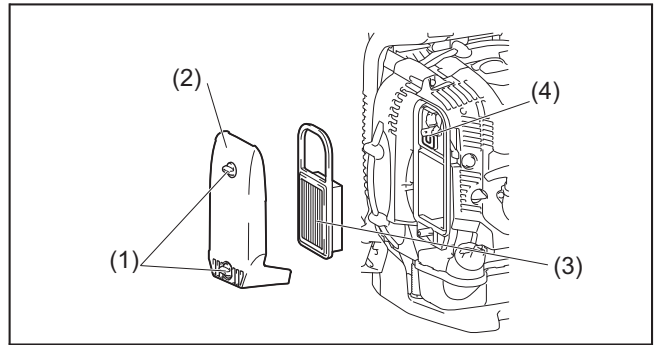
**AVERTISSEMENT : SUBSTANCES INFLAMMABLES
STRICTEMENT INTERDITES**

Intervalle de nettoyage et d'inspection : Quotidien (toutes les 10 heures de fonctionnement)

- (1) Desserrez les boulons du couvercle (1).
- (2) Retirez le couvercle du filtre à air (2).
- (3) Retirez le filtre (3) et nettoyez-le avec la brosse.

Note :

- Il s'agit d'un filtre sec, qui ne doit pas être mouillé. Ne le nettoyez jamais à l'eau.
- (4) Remplacez le filtre s'il est endommagé ou très sale.
 - (5) Essuyez toute huile se trouvant sur le reniflard (4) avec un chiffon.
 - (6) Placez le filtre à air dans son logement.
 - (7) Fixez le couvercle du filtre à air à l'aide des boulons.



REMARQUE :

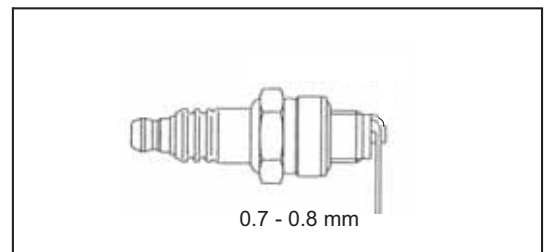
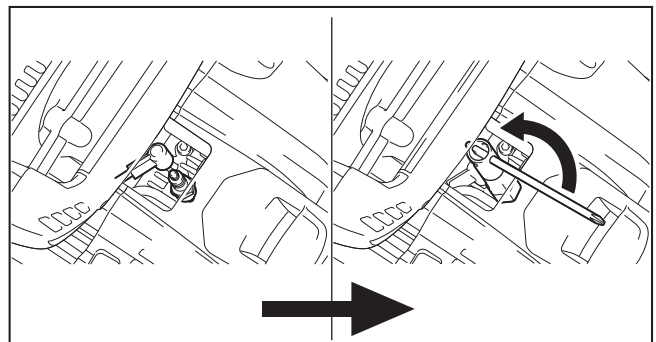
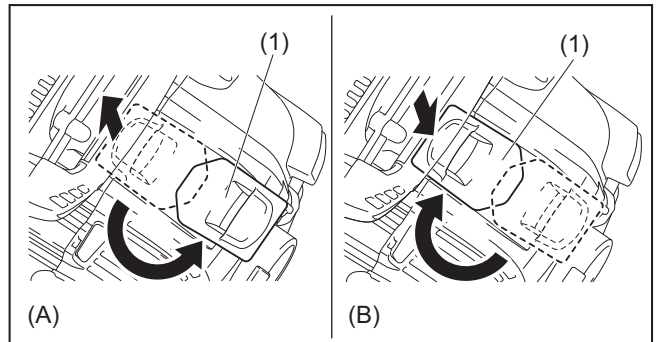
- Nettoyez le filtre plusieurs fois par jour en cas de dépôt de poussière excessif.
- Si vous continuez à utiliser le souffleur alors que le filtre à air est encrassé par de l'huile, cette huile risque de s'écouler à l'extérieur, et d'entraîner une contamination.

3. Vérification de la bougie d'allumage

⚠ ATTENTION :

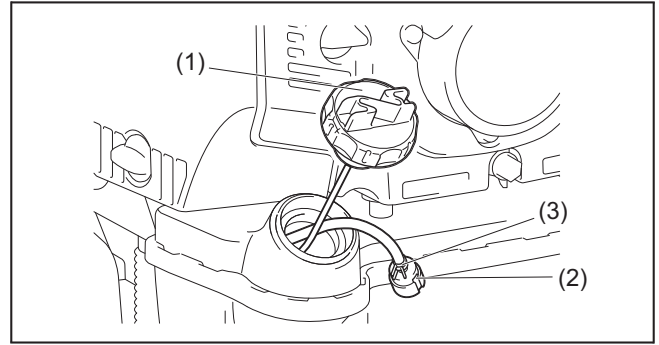
- Ne touchez pas la bougie alors que le moteur tourne. Le non-respect de cette consigne peut entraîner un choc électrique.
- Mettez le levier de commande d'arrêt/interrupteur d'arrêt en position « O » (arrêt).
- Vérifiez régulièrement le câble d'alimentation de la bougie. Remplacez-le s'il est endommagé. Le non-respect de cette consigne peut entraîner un choc électrique.
- Lors du démontage de la bougie d'allumage, nettoyez d'abord la bougie et la culasse pour éviter la pénétration d'impuretés ou de sable dans la culasse.
- Attendez le refroidissement complet du moteur avant de démonter la bougie d'allumage sous peine d'endommager le pas de vis de la culasse.
- Vissez correctement la bougie dans le trou fileté. Ne la vissez pas de travers sous peine d'endommager le filetage de la culasse.

- (1) Ouverture/fermeture du cache de bougie
Pour ouvrir (A) le cache de bougie (1), soulevez-le et faites-le décrire un demi-cercle. Pour fermer (B) le cache de bougie, faites-le décrire un demi-cercle et appuyez sur la partie en relief.
- (2) Retrait de la bougie
Utilisez la clé à douille fournie pour retirer ou installer la bougie d'allumage.
- (3) Vérification de la bougie
La distance entre les deux électrodes de la bougie est de 0,7 à 0,8 mm. Réglez-la correctement si elle est trop importante ou trop faible.
Nettoyez la bougie à fond ou remplacez-la en cas d'accumulation de carbone ou d'encrassement.
- (4) Remplacement de la bougie
Utilisez des bougies NGK-CMR6A.



4. Nettoyage du filtre à carburant

- Un filtre à carburant colmaté peut rendre le démarrage difficile ou empêcher la montée en vitesse du moteur.
- Vérifiez régulièrement le filtre à carburant comme suit :
 - (1) Retirez le bouchon du réservoir de carburant (1) et vidangez-le entièrement. Vérifiez qu'aucun corps étranger ne se trouve à l'intérieur du réservoir. Le cas échéant, enlevez-les.
 - (2) Faites sortir le filtre à carburant (2) à l'aide d'un câble par l'orifice de remplissage du réservoir.
 - (3) Si la surface du filtre à carburant est encrassée, nettoyez-la avec de l'essence. L'essence utilisée pour le nettoyage doit être éliminée conformément aux méthodes spécifiées par les autorités locales. Un filtre doit être remplacé s'il est très encrassé.
 - (4) Après inspection, nettoyage ou remplacement, insérez le filtre à carburant sur le tuyau à carburant et fixez-le à l'aide du collier de serrage (3). Remettez le filtre à carburant dans le réservoir de carburant, remettez le bouchon en place et serrez-le fermement.
- Assurez-vous que le réservoir de carburant n'est pas endommagé.

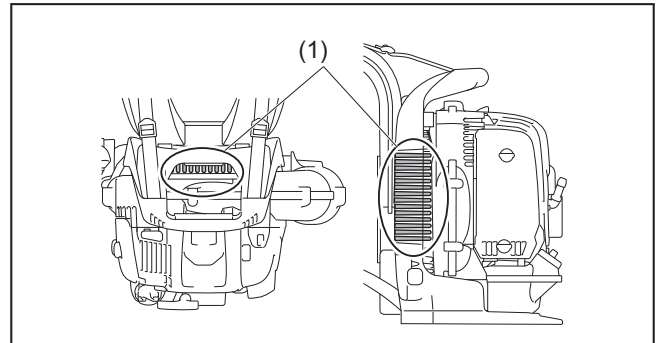


5. Inspection des boulons, écrous et vis

- Resserrez les boulons, écrous, etc.
- Vérifiez l'absence de fuite de carburant et d'huile.
- Remplacez les pièces endommagées pour assurer un fonctionnement en toute sécurité.

6. Nettoyage des pièces

- Maintenez le moteur propre en l'essuyant avec un chiffon.
- Maintenez les ailettes de la culasse exemptes de poussières ou d'impuretés. La poussière et les impuretés adhérant aux ailettes peuvent entraîner un grippage.
- L'air soufflé provient de l'entrée d'air et de la crépine d'entrée d'air (1). Lorsque le débit d'air diminue en cours de fonctionnement, arrêtez le moteur et vérifiez que l'entrée d'air et la crépine d'entrée d'air ne sont pas obstruées. Nettoyez-les si nécessaire.
- Inspectez la crépine de l'entrée d'air située sous le souffleur. Retirez la vis et la crépine de l'entrée d'air. Vérifiez qu'elle n'est pas obstruée. Nettoyez-la si nécessaire.
- Une obstruction peut entraîner une surchauffe et endommager le moteur.

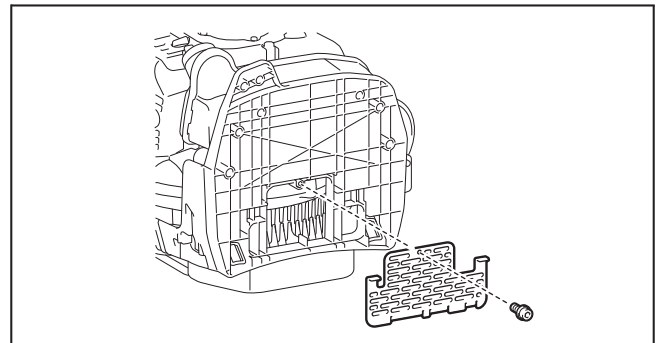


⚠ AVERTISSEMENT :

- N'utilisez jamais le souffleur sans la crépine. Avant chaque utilisation, vérifiez que la crépine est bien en place et qu'elle n'est pas endommagée.

7. Remplacement des joints et garnitures

Remplacez les joints et garnitures en cas de démontage du moteur. Tous les travaux d'entretien et les réglages non prévus et non décrits par ce manuel doivent être effectués par un technicien agréé.



REMISAGE

⚠ AVERTISSEMENT :

- Arrêtez le moteur et laissez-le refroidir avant de vidanger le réservoir de carburant.
– Le non-respect de cette consigne peut entraîner des brûlures ou un incendie.

⚠ ATTENTION :

- Si vous entreposez l'appareil pendant une période prolongée, vidangez tout le carburant contenu dans le réservoir de carburant et le carburateur. Remisez-le dans un endroit propre et sec.

Vidangez le carburant contenu dans le réservoir de carburant et le carburateur selon la procédure suivante :

- (1) Enlevez le bouchon du réservoir à carburant, et vidangez tout le carburant. Retirez tout corps étranger se trouvant dans le réservoir à carburant.
- (2) Faites sortir le filtre à carburant par l'orifice de remplissage à l'aide d'un fil métallique.
- (3) Appuyez sur la pompe d'amorçage jusqu'à ce que le carburant s'écoule, et vidangez le carburant s'écoulant dans le réservoir de carburant.
- (4) Remettez le filtre à carburant dans le réservoir de carburant, remettez le bouchon en place et serrez-le fermement.
- (5) Faites ensuite fonctionner le moteur jusqu'à ce qu'il s'arrête.
- (6) Enlevez la bougie d'allumage, et versez quelques gouttes de l'huile moteur dans le trou de la bougie.
- (7) Tirez doucement sur la poignée de démarrage afin que l'huile moteur se répartisse dans tout le moteur, et installez la bougie d'allumage.
- (8) Rangez l'appareil avec sa poignée sur le dessus.
- (9) Conservez le carburant collecté dans un conteneur spécial dans un emplacement bien aéré et à l'ombre.

Localisation des défauts

Anomalie	Système	Observation	Cause
Le moteur ne démarre pas, ou avec difficulté	Système d'allumage	Présence de l'étincelle d'allumage	Défaut de l'alimentation en carburant ou du système de compression, défaut mécanique
		Pas d'étincelle d'allumage	Interrupteur d'arrêt activé, défaut de câblage ou court-circuit, bougie d'allumage ou connecteur défectueux, module d'allumage défectueux
	Alimentation en carburant	Réservoir de carburant plein	Position incorrecte du levier du dispositif de démarrage à froid, carburateur défectueux, tuyau d'alimentation en carburant plié ou obstrué, carburant contaminé
	Compression	Pas de compression lors de la traction sur la poignée de démarrage	Joint d'étanchéité du fond de culasse défectueux, joints de vilebrequin endommagés, culasse ou segments de piston défectueux, mauvaise étanchéité au niveau de la bougie d'allumage
Problèmes lors du démarrage à chaud	Défaut mécanique	Pas d'enclenchement du démarreur	Ressort du démarreur cassé, pièces cassées à l'intérieur du moteur
	Alimentation en carburant	Réservoir de carburant plein, présence de l'étincelle d'allumage	Carburateur encrassé, à nettoyer
Le moteur démarre puis s'arrête	Alimentation en carburant	Réservoir de carburant plein	Réglage incorrect du ralenti, carburateur encrassé
Performances insuffisantes	Plusieurs systèmes sont peut-être affectés simultanément	Ralenti moteur médiocre	Aération du réservoir de carburant défectueuse, tuyau alimentation en carburant obstrué, câble ou interrupteur d'arrêt défectueux
			Filtre à air encrassé, carburateur encrassé, silencieux obstrué, conduit d'échappement de la culasse obstrué

Élément	Durée de fonctionnement								Page correspondante
		Avant utilisation	Après lubrification	Quotidien (10 h)	30 h	50 h	200 h	Arrêt/pause	
Huile moteur	Inspecter/nettoyer	○							30
	Remplacer					○ ¹			37
Pièces de serrage (boulons, écrous)	Inspecter	○							39
Réservoir de carburant	Nettoyer/inspecter	○							—
	Vidanger le carburant						○ ³		39
Gâchette/levier de commande d'accélération	Vérifier le fonctionnement		○						—
Levier de commande d'arrêt/interrupteur d'arrêt	Vérifier le fonctionnement		○						33
Rotation à vitesse lente	Vérifier/régler			○					34
Filtre à air	Nettoyer			○					38
Bougie d'allumage/câble d'alimentation de la bougie	Inspecter			○					38
Conduit d'air de refroidissement	Nettoyer/inspecter			○					39
	Inspecter			○					39
Tuyau de carburant	Remplacer						◎ ²		—
	Nettoyer/remplacer					○			39
Filtre à carburant	Nettoyer/remplacer					○			39
Espace entre soupape d'admission d'air et soupape d'échappement d'air	Régler						◎ ²		—
Tube d'huile	Inspecter						◎ ²		—
Révision générale du moteur							◎ ²		—
Carburateur	Vidanger le carburant							○ ³	39

*1 Premier remplacement après 20 heures de fonctionnement.

*2 Pour l'inspection des 200 heures de fonctionnement, adressez-vous à un technicien agréé ou à un atelier de réparation.

*3 Après avoir vidangé le réservoir de carburant, continuez à faire fonctionner le moteur et vidangez le carburant présent dans le carburateur.

DÉPANNAGE

Avant de faire faire une réparation, vérifiez les points suivants. En cas d'anomalie, inspectez votre appareil conformément aux instructions contenues dans ce manuel. Ne démontez aucune pièce de manière non conforme aux instructions, ne les modifiez pas. Pour toute réparation, adressez-vous à un technicien agréé ou à votre revendeur le plus proche.

Anomalie constatée	Cause probable (dysfonctionnement)	Remède
Le moteur ne démarre pas	Mauvais fonctionnement de la pompe d'amorçage	Appuyez 7 à 10 fois.
	Faible vitesse de traction de la poignée de démarrage	Tirez fort.
	Manque de carburant	Faites le plein de carburant.
	Filtre à carburant colmaté	Nettoyez-le.
	Tuyau de carburant plié	Redressez le tuyau de carburant.
	Carburant dégradé	Un carburant dégradé rend le démarrage difficile. Remplacez le carburant. (intervalle recommandé : 1 mois)
	Aspiration du carburant excessive	Faites passer le levier de commande d'accélération de la position vitesse moyenne à la position vitesse rapide, et tirez sur la poignée de démarrage jusqu'à ce que le moteur démarre. Si le moteur ne démarre pas, déposez la bougie d'allumage, séchez l'électrode et remontez la bougie dans sa position initiale. Ensuite, démarrez en suivant les instructions.
	Capuchon de bougie déposé	Remontez-le et fixez-le fermement.
	Bougie d'allumage encrassée	Nettoyez-la.
	Distance anormale entre les deux électrodes de la bougie	Réglez la distance.
	Autre anomalie de la bougie d'allumage	Remplacez-la.
	Anomalie du carburateur	Faites une demande d'inspection et d'entretien.
	Impossible de tirer sur la poignée de démarrage	Faites une demande d'inspection et d'entretien.
Anomalie du système d'entraînement	Faites une demande d'inspection et d'entretien.	
Le moteur s'arrête tout de suite. Le moteur n'accélère pas.	Préchauffage insuffisant	Préchauffez le moteur.
	Le levier du dispositif de démarrage à froid est en position « CLOSE » (fermée) bien que le moteur soit chaud.	Mettez-le en position « OPEN » (ouverte).
	Filtre à carburant colmaté	Nettoyez-le.
	Filtre à air encrassé ou colmaté	Nettoyez-le.
	Anomalie du carburateur	Faites une demande d'inspection et d'entretien.
	Anomalie du système d'entraînement	Faites une demande d'inspection et d'entretien.
	Câble de commande de l'accélération détaché	Remontez-le et fixez-le fermement.
Le moteur ne s'arrête pas.	Connecteur déconnecté	Remontez-le et fixez-le fermement.
	Anomalie du système électrique	Faites une demande d'inspection et d'entretien.
<div style="border: 1px solid black; padding: 5px; width: fit-content;"> <p>Faites tourner le moteur au ralenti, et mettez le levier du dispositif de démarrage à froid en position « CLOSE » (fermée).</p> </div>		

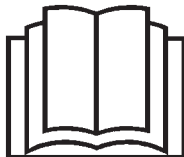
Lorsque le moteur ne démarre pas après le préchauffage :

Si les éléments inspectés ne présentent aucune anomalie, ouvrez la vanne d'étranglement d'environ 1/3 et démarrez le moteur.

Vielen Dank, dass Sie dieses Makita-Blasgerät gewählt haben. Wir freuen uns, Ihnen das Makita-Blasgerät anbieten zu können. Es stellt das Ergebnis eines langen Entwicklungsprogramms und langjähriger Fachkenntnis und Erfahrung dar.

Die Blasgerätemodelle vereinen die Vorzüge hochmoderner Technologie mit ergonomischem Design. Sie sind leicht, handlich, kompakt und repräsentieren professionelle Geräte für zahlreiche Anwendungen.

Bitte lesen, verstehen und befolgen Sie diese Anleitung, in der die verschiedenen Punkte, welche die hervorragende Leistung dieses Produkts demonstrieren, ausführlich behandelt werden. Dies wird Ihnen dabei helfen, die bestmöglichen Resultate von Ihrem Makita-Blasgerät auf sichere Weise zu erhalten.



Inhaltsverzeichnis

	Seite
Symbole.....	42
Sicherheitsvorschriften	43
EG-Konformitätserklärung	46
Technische Daten	47
Bezeichnung der Teile	48
Montageanleitung	49
Vor dem Starten des Motors.....	50
Betrieb	52
LeerlaufEinstellung	54
Verhütung von vergaservereisung.....	54
Betriebsmethode	55
Überprüfung und Wartung	57
Lagerung	59
Fehlersuche.....	61

SYMBOLE

Es ist sehr wichtig, die Bedeutung der folgenden Symbole beim Durchlesen dieser Anleitung zu verstehen.

	WARNUNG/GEFAHR		Umstehende fernhalten
	Lesen, verstehen und befolgen Sie die Bedienungsanleitung.		Kraftstoff (Benzin)
	Verboten		Motor – Manueller Start
	Nicht rauchen		Notstopp
	Keine offenen Flammen		Erste Hilfe
	Schutzhandschuhe tragen		EIN/START
	Den Arbeitsbereich von Personen und Tieren frei halten		AUS/STOPP
	Augen- und Gehörschutz tragen		Finger- oder Handverletzungen durch Laufradflügel
	Heiße Oberflächen – Verbrennungen von Fingern oder Händen		Langes Haar kann einen Unfall durch Erfassen verursachen.

SICHERHEITSVORSCHRIFTEN

Allgemeine Vorschriften

- Damit korrekter und sicherer Betrieb gewährleistet ist, muss der Benutzer diese Bedienungsanleitung lesen, verstehen und befolgen, um sich mit der Handhabung des Blasgerätes vertraut zu machen (1). Unzureichend informierte Benutzer können sich und andere Personen durch unsachgemäßen Gebrauch gefährden.
- Es ist ratsam, das Blasgerät nur an Personen zu verleihen, die erwiesenermaßen Erfahrung im Umgang mit Blasgeräten haben.
- Dabei ist auch stets die Bedienungsanleitung auszuhändigen.
- Erstmalige Benutzer sollten eine Grundeinführung vom Händler erhalten, um sich mit der Handhabung eines Blasgerätes vertraut zu machen.
- Kinder und Jugendliche unter 18 Jahren dürfen das Blasgerät nicht benutzen. Personen über 16 Jahren ist jedoch die Benutzung des Gerätes für Ausbildungszwecke nur unter direkter Aufsicht eines qualifizierten Ausbilders gestattet.
- Benutzen Sie Blasgeräte mit äußerster Sorgfalt und Aufmerksamkeit.
- Betreiben Sie das Blasgerät nur, wenn Sie sich in guter körperlicher Verfassung befinden.
- Führen Sie alle Arbeiten gewissenhaft und sorgfältig durch. Der Benutzer ist gegenüber Dritten verantwortlich.
- Benutzen Sie das Blasgerät niemals unter dem Einfluss von Alkohol oder Drogen (2).
- Benutzen Sie das Gerät nicht, wenn Sie müde sind.
- Bewahren Sie diese Anleitung für spätere Bezugnahme auf.

Persönliche Schutzausrüstung

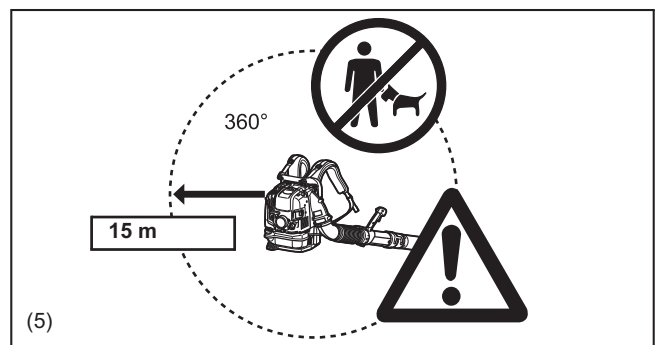
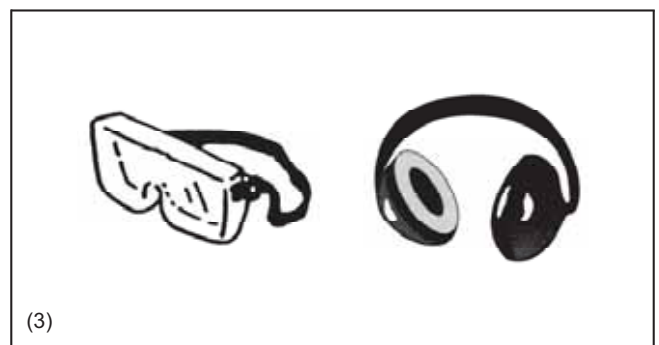
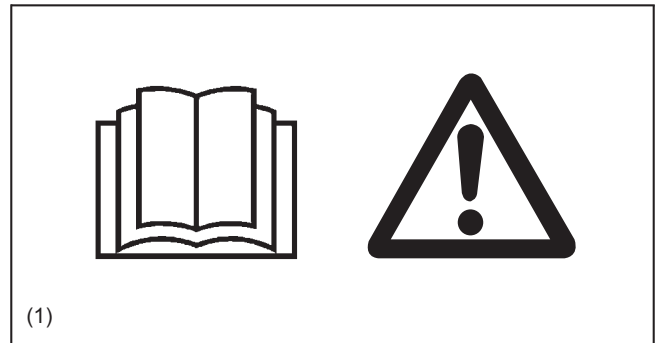
- Die Kleidung soll zweckmäßig und angemessen, d. h. eng anliegend, aber nicht hinderlich sein. Tragen Sie keine Schmucksachen, Kleidungsstücke oder lange Haare, die in den Lufteinlass gesaugt werden könnten.
- Um Verletzungen von Kopf, Augen, Händen oder Füßen sowie Gehörschäden zu vermeiden, müssen die folgenden Schutzvorrichtungen und Schutzkleidung während der Arbeit mit dem Blasgerät verwendet werden.

Schenken Sie den folgenden Vorschriften besondere Aufmerksamkeit

- Die Kleidung sollte robust und eng anliegend sein, aber dennoch vollkommene Bewegungsfreiheit gewähren. Vermeiden Sie lockersitzende Jacken, ausgestellte oder umgeschlagene Hosen, Schals, offenes langes Haar oder Gegenstände, die in den Lufteinlass gesaugt werden könnten. (4) Tragen Sie einen Overall oder eine lange Hose, um Ihre Beine zu schützen. Tragen Sie keine Shorts. (4)
- Motorprodukte sind im Allgemeinen laut, und ihr Geräusch kann Gehörschäden verursachen. Tragen Sie Gehörschutz (Ohrenstöpsel oder Ohrenschützer) zum Schutz Ihres Gehörs. Langzeit- und Dauerbenutzer sollten ihr Gehör regelmäßig überprüfen lassen. (3)
- Die Verwendung von Handschuhen bei der Arbeit mit dem Blasgerät wird empfohlen. Feste Schuhe mit rutschfesten Sohlen tragen. (4)
- Angemessener Augenschutz ist ein Muss. Obwohl der Auslass vom Bediener weg gerichtet ist, können Querschläger und Rückpraller während des Betriebs des Blasgerätes auftreten. (3)
- Betreiben Sie ein Blasgerät nur mit einer Schutzbrille oder einer vorschriftsmäßigen Sicherheitsbrille mit geeignetem Ober- und Seitenschutz, die der Norm EN166 und den Vorschriften Ihres Landes entspricht.
- Um die mit dem Einatmen von Staub verbundene Verletzungsgefahr zu verringern, verwenden Sie eine Atemschutzmaske bei staubigen Verhältnissen.

Starten des Blasgerätes

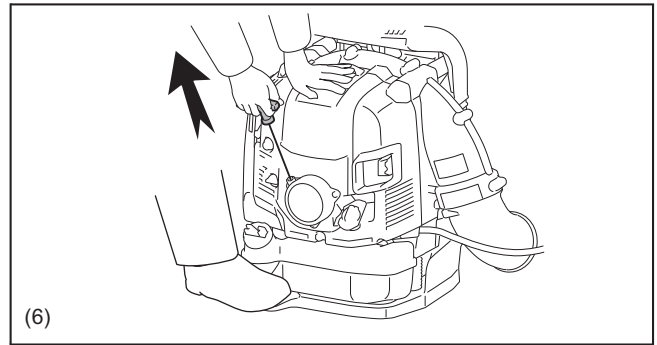
- Vergewissern Sie sich, dass sich keine Kinder oder andere Personen innerhalb eines Arbeitsradius von 15 m (5) aufhalten, und achten Sie auch auf Tiere im Arbeitsbereich. Benutzen Sie das Blasgerät niemals in Stadtgebieten.
- Prüfen Sie vor der Benutzung immer, ob das Blasgerät betriebssicher ist: Prüfen Sie die Sicherheit des Gashebels. Der Gashebel sollte auf reibungslose und leichtgängige Betätigung überprüft werden. Prüfen Sie, ob die Gashebelsperre einwandfrei funktioniert. Vergewissern Sie sich, dass die Handgriffe sauber und trocken sind, und überprüfen Sie die Funktion des Ein-Aus-Schalters. Halten Sie die Handgriffe frei von Öl und Kraftstoff.



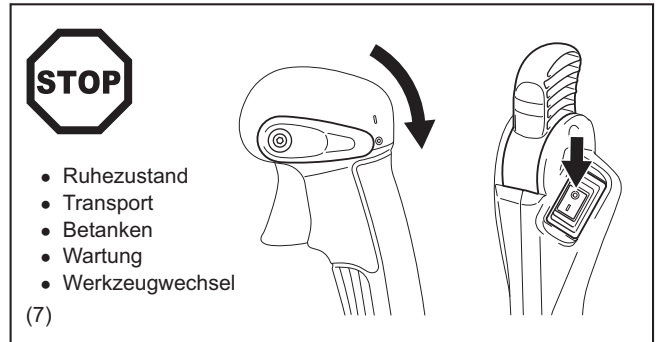
- Starten Sie das Blasgerät nur gemäß den Anweisungen. Verwenden Sie kein anderes Verfahren zum Starten des Motors (6).
- Verwenden Sie das Blasgerät und die mitgelieferten Werkzeuge nur für die angegebenen Anwendungen.
- Starten Sie den Blasgerätemotor erst, nachdem die Maschine vollständig montiert worden ist. Der Betrieb der Maschine ist nur zulässig, wenn alle vorgeschriebenen Zubehöerteile montiert sind.
- Im Falle einer Motorstörung ist der Motor sofort abzustellen.
- Wenn Sie mit dem Blasgerät arbeiten, umschließen Sie den Handgriff immer fest mit Ihren Fingern, und halten Sie den Steuergriff zwischen Daumen und Zeigefinger. Halten Sie Ihre Hand in dieser Position, damit Sie Ihre Maschine jederzeit unter Kontrolle haben. Vergewissern Sie sich, dass Ihr Steuergriff in gutem Zustand und frei von Feuchtigkeit, Pech, Öl oder Fett ist.

Achten Sie stets auf sicheren, ausgewogenen Stand.

- Tragen Sie das Blasgerät während der Arbeit richtig auf beiden Schultern. Tragen Sie das Blasgerät nicht mit nur einem Schulterriemen. Anderenfalls kann es zu Personenschaden kommen.
- Betreiben Sie das Blasgerät stets so, dass Sie keine Abgase einatmen. Lassen Sie den Motor niemals in geschlossenen Räumen laufen (Erstickungs- und Gasvergiftungsgefahr). Kohlenmonoxid ist ein geruchloses Gas.
- Achten Sie stets auf ausreichende Belüftung.
- Stellen Sie den Motor ab, wenn Sie sich ausruhen oder das Blasgerät unbeaufsichtigt lassen.
Bewahren Sie das Gerät an einem sicheren Ort auf, um Gefahr für andere Personen, Entzündung von brennbaren Materialien oder Beschädigung der Maschine zu verhindern.
- Legen Sie das heiße Blasgerät niemals auf trockenes Gras oder brennbare Materialien.
- Alle mit der Maschine gelieferten Schutzteile und Schutzhauben müssen während des Betriebs benutzt werden.
- Betreiben Sie den Motor niemals mit schadhaftem Schalldämpfer.
- Stellen Sie den Motor während des Transports ab (7).
- Bringen Sie das Blasgerät während des Transports mit einem Auto oder Lastwagen in eine sichere Position, um Auslaufen von Kraftstoff zu vermeiden.
- Wenn Sie das Blasgerät transportieren, vergewissern Sie sich, dass der Kraftstofftank vollkommen leer ist.
- Tragen Sie das Blasgerät an seinem Tragegriff. Ziehen Sie das Blasgerät nicht an der Düse, am Rohr oder an anderen Teilen.
- Wenn Sie das Blasgerät transportieren, beugen Sie Ihre Knie, und achten Sie darauf, dass Sie Ihre Schultern und Lendenwirbelsäule nicht überlasten.



(6)

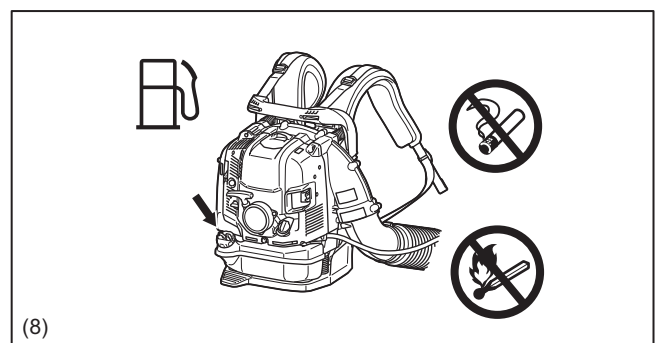


(7)

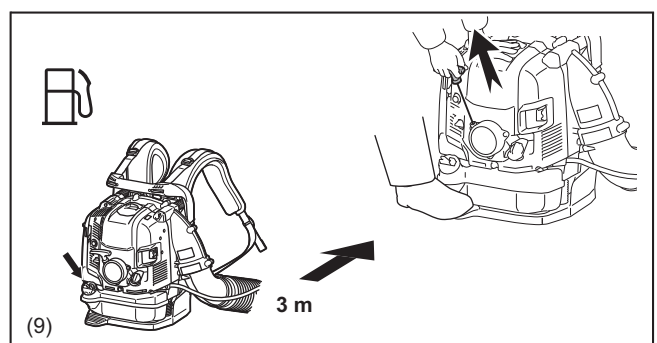
- Ruhezustand
- Transport
- Betanken
- Wartung
- Werkzeugwechsel

Betanken

- Stellen Sie zum Betanken stets den Motor ab (7), halten Sie offene Flammen fern (8), und rauchen Sie nicht.
- Vermeiden Sie Hautkontakt mit Erdölprodukten. Atmen Sie keine Kraftstoffdämpfe ein.
Tragen Sie beim Betanken stets Schutzhandschuhe. Die Schutzkleidung ist in regelmäßigen Abständen zu wechseln und zu reinigen.
- Achten Sie darauf, weder Kraftstoff noch Öl zu verschütten, um Bodenverschmutzung zu verhüten (Umweltschutz). Reinigen Sie das Blasgerät sofort, nachdem Kraftstoff verschüttet worden ist. Lassen Sie nasse Tücher trocknen, bevor Sie sie in einem ordnungsgemäß abgedeckten Behälter entsorgen, um Selbstentzündung zu verhüten.
- Achten Sie darauf, dass kein Kraftstoff mit Ihrer Kleidung in Berührung kommt. Wechseln Sie Ihre Kleidung sofort, falls Kraftstoff darauf verschüttet worden ist (Brandgefahr).
- Überprüfen Sie den Tankdeckel in regelmäßigen Abständen, um sicherzustellen, dass er fest verschlossen bleibt.
- Ziehen Sie die Sicherungsschraube des Kraftstofftanks sorgfältig fest. Wechseln Sie den Standort zum Starten des Motors (mindestens 3 m Abstand vom Betankungsort) (9).
- Betanken Sie die Maschine niemals in geschlossenen Räumen. Kraftstoffdämpfe sammeln sich in Bodennähe an (Explosionsgefahr).
- Transportieren und lagern Sie Kraftstoff nur in zugelassenen Behältern. Achten Sie darauf, dass gelagerter Kraftstoff für Kinder unzugänglich ist.
- Versuchen Sie nicht, einen heißen oder laufenden Motor zu betanken.



(8)



(9)

Betriebsmethode

- Benutzen Sie das Blasgerät nur bei guten Licht- und Sichtverhältnissen. Nehmen Sie sich vor schlüpfrigen oder nassen Bereichen, Eis und Schnee (Rutschgefahr) sowie Engstellen in Acht. Achten Sie stets auf sicheren Stand.
- Arbeiten Sie niemals auf instabilen Flächen oder in steilem Gelände.
- Arbeiten Sie nicht auf Leitern oder an hohen Orten. Anderenfalls kann es zu Personenschaden kommen.
- Um Verletzungsgefahr zu reduzieren, richten Sie den Luftstrahl nicht auf Umstehende, da der hohe Druck des Luftstrahls Augen verletzen und kleine Objekte mit hoher Geschwindigkeit hochschleudern kann.
- Führen Sie niemals irgendwelche Fremdkörper in den Lufteinlass der Maschine oder die Düse des Blasgerätes ein. Dadurch wird das Gebläserad beschädigt, was schwere Verletzungen der Bedienungsperson oder von Umstehenden zur Folge haben kann, weil der Fremdkörper oder Bruchstücke mit hoher Geschwindigkeit herausgeschleudert werden.
- Achten Sie auf die Windrichtung, d. h., arbeiten Sie nicht gegen den Wind.
- Um Stolpergefahr und Verlust der Kontrolle zu reduzieren, gehen Sie nicht rückwärts, während Sie die Maschine betreiben.
- Stellen Sie stets den Motor ab, bevor Sie das Gerät reinigen oder warten oder Teile austauschen.
- Machen Sie eine Pause, um durch Müdigkeit verursachten Verlust der Kontrolle zu verhüten. Wir empfehlen, jede Stunde eine Pause von 10 bis 20 Minuten einzulegen.
- Betreiben Sie die Maschine nicht in der Nähe eines Fensters usw.
- Um Schäden durch Vibration und/oder Gehörschäden zu verringern, betreiben Sie die Maschine möglichst mit niedriger Drehzahl, und begrenzen Sie die Betriebszeit.
- Betreiben Sie die Maschine nur zu zumutbaren Zeiten. Betreiben Sie das Blasgerät nicht früh morgens oder spät nachts, wenn Personen gestört werden könnten.
- Es wird empfohlen, Rechen und Besen zu benutzen, um Unrat vor dem Blasen aufzulockern.
- Bevor Sie mit dem Blasen beginnen, sollten Sie Oberflächen bei staubigen Bedingungen nötigenfalls leicht anfeuchten oder einen Wassersprüher verwenden.
- Stellen Sie die Länge der Blasdüse so ein, dass der Luftstrom nahe am Boden arbeiten kann.
- Um den Schalldruckpegel zu verringern, begrenzen Sie die Anzahl der gleichzeitig verwendeten Geräte.

Nach der Benutzung von Blasgeräten und anderer Ausrüstung: SÄUBERN!
Werfen Sie Unrat in Mülltonnen.

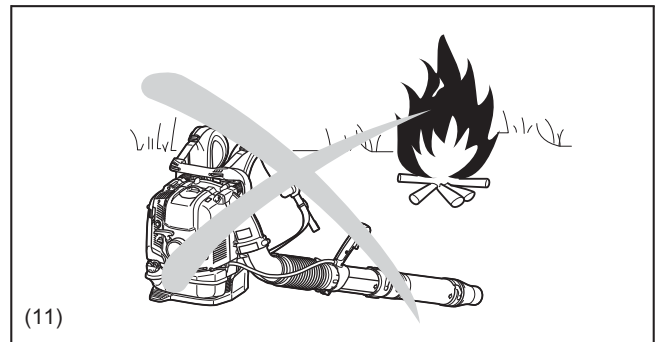
Wartungsvorschriften

- Seien Sie freundlich zur Umwelt. Betreiben Sie das Blasgerät mit möglichst wenig Lärmerzeugung und Verschmutzung. Überprüfen Sie insbesondere die korrekte Einstellung des Vergasers.
- Reinigen Sie das Blasgerät in regelmäßigen Abständen, und stellen Sie sicher, dass alle Schrauben und Muttern einwandfrei festgezogen sind.
- Unterlassen Sie das Warten oder Lagern des Blasgerätes in der Nähe von offenen Flammen, Funken usw. (11).
- Lagern Sie das Blasgerät stets mit leerem Kraftstofftank in einem gut belüfteten und verschlossenen Raum.

Beachten und befolgen Sie alle relevanten Unfallverhütungsvorschriften, die von den Arbeitgeberverbänden und Versicherungsgesellschaften herausgegeben wurden. Nehmen Sie keine Abänderungen am Blasgerät vor, weil dadurch Ihre Sicherheit gefährdet wird.

Die Durchführung von Wartungs- oder Reparaturarbeiten durch den Benutzer beschränkt sich auf die in dieser Anleitung beschriebenen Arbeiten. Alle übrigen Arbeiten sind von einer Vertragswerkstatt durchzuführen. Verwenden Sie nur Original-Ersatzteile und -Zubehörteile von Makita. Die Verwendung nicht zugelassener Zubehörteile und Werkzeuge stellt eine erhöhte Unfall- und Verletzungsgefahr dar. Makita übernimmt keine Haftung für Unfälle oder Schäden, die durch den Gebrauch nicht zugelassener Vorrichtungen oder Zubehörteile verursacht werden.

Nehmen Sie keinesfalls Abänderungen am Gerät vor. Dadurch können gefährliche Unfälle oder Personenschäden verursacht werden.

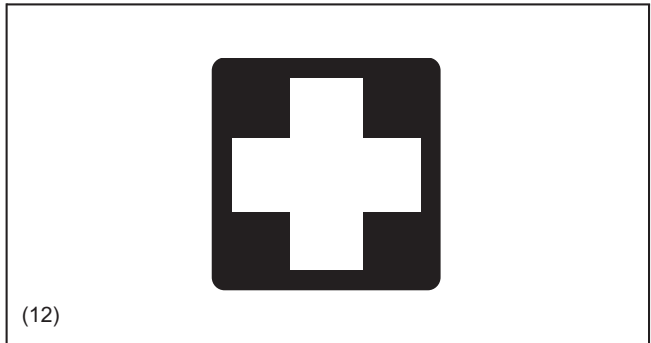


Erste Hilfe

Sorgen Sie dafür, dass bei einem Unfall ein gut bestückter Erste-Hilfe-Kasten in der Nähe des Arbeitsplatzes verfügbar ist. Dem Erste-Hilfe-Kasten entnommenes Material ist sofort wieder aufzufüllen.

Wenn Sie Hilfe anfordern, machen Sie bitte folgende Angaben:

- Unfallort
- Art des Unfalls
- Zahl der Verletzten
- Ausmaß der Verletzungen
- Ihr Name



Nur für europäische Länder

EG-Konformitätserklärung

Wir, die Firma Makita als verantwortlicher Hersteller, erklären, dass die folgende(n) Makita-Maschine(n):

Bezeichnung der Maschine: Benzinblasgerät

Modell-Nr./Typ: EB7650TH, EB7650WH

Technische Daten: siehe Tabelle „TECHNISCHE DATEN“

der Serienproduktion entstammen und

den folgenden europäischen Richtlinien entsprechen:

2000/14/EG, 2006/42/EG

und gemäß den folgenden Standards oder standardisierten Dokumenten hergestellt werden:

EN15503

Die technische Dokumentation befindet sich im Bestand unserer autorisierten Vertretung in Europa, nämlich:

Makita International Europe Ltd.,

Michigan Drive, Tongwell, Milton Keynes, Bucks MK15 8JD, England

Das von der Richtlinie 2000/14/EG geforderte Konformitätsbewertungsverfahren war in Übereinstimmung mit Anhang V.

Gemessener Schallleistungspegel: 110 dB

Garantierter Schallleistungspegel: 111 dB

6. 8. 2013



Tomoyasu Kato
Geschäftsführer
Makita Corporation
3-11-8, Sumiyoshi-cho,
Anjo, Aichi, JAPAN

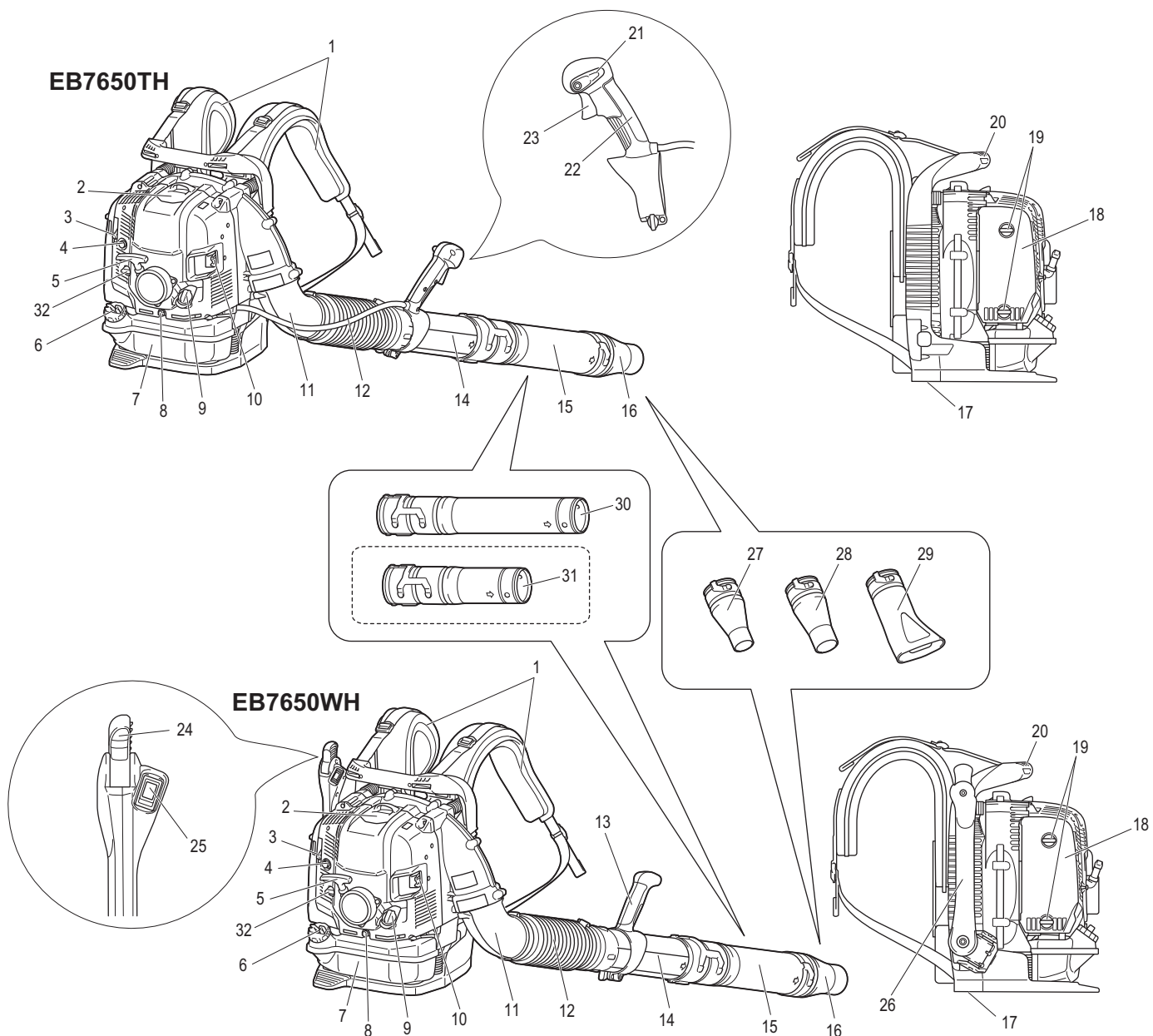
TECHNISCHE DATEN

Modell				EB7650TH	EB7650WH			
Drosseltyp				Rohrdrossel	Hüftdrossel			
Gewicht (ohne Blasrohr) (kg)				10,8	11,0			
Abmessungen (ohne Blasrohr, L × B × H) (mm)				332 x 460 x 480	332 x 510 x 480			
Luftstromgeschwindigkeit	(mit langem Rohr)	(mit Hochleistungsdüse)		(m/s)	89			
		(mit Volumendüse)			81			
		(mit Flachdüse)			86			
	(mit kurzem Rohr)	(mit Hochleistungsdüse)			90			
		(mit Volumendüse)			81			
		(mit Flachdüse)			87			
Luftvolumenstrom	(mit langem Rohr)	(mit Hochleistungsdüse)		(m ³ /Minute)	17			
		(mit Volumendüse)			19			
		(mit Flachdüse)			17			
	(mit kurzem Rohr)	(mit Hochleistungsdüse)			17			
		(mit Volumendüse)			19			
		(mit Flachdüse)			17			
Max. Motordrehzahl (mit Hochleistungsdüse) (min ⁻¹)				7 100				
Leerlaufdrehzahl (min ⁻¹)				2 800				
Hubraum (cm ³)				75,6				
Kraftstoff				Kraftfahrzeugbenzin				
Kraftstofftank-Inhalt (cm ³)				1 900				
Motoröl				Öl der API-Klasse SF oder höher, SAE 10W-30 (Kraftfahrzeug-4-Takt-Motoröl)				
Motorölmenge (cm ³)				220				
Vergaser (Typ)				Membranvergaser				
Zündkerze				NGK CMR6A				
Elektrodenabstand (mm)				0,7 – 0,8				
Vibrationen nach EN15503 2009	Rechter Handgriff	a _{h_veq}	(mit langem Rohr)	(mit Hochleistungsdüse)	(m/s ²)	2,5	2,7	
				(mit Volumendüse)		2,3	2,3	
				(mit Flachdüse)		4,1	4,8	
		(mit kurzem Rohr)	(mit Hochleistungsdüse)	3,1		2,7		
			(mit Volumendüse)	2,8		2,3		
			(mit Flachdüse)	3,7		5,1		
	Ungewissheit K					2,2	3,0	
	Linker Handgriff (Steuerarm)	a _{h_veq}	(mit langem Rohr)	(mit Hochleistungsdüse)		0,7		
				(mit Volumendüse)		0,7		
				(mit Flachdüse)		0,9		
		(mit kurzem Rohr)	(mit Hochleistungsdüse)	0,8				
			(mit Volumendüse)	0,7				
			(mit Flachdüse)	0,9				
	Ungewissheit K					0,5		
Schalldruckpegel-Durchschnitt nach EN15503: 2009			L _{PA,eq}	dB (A)	100			
			Ungewissheit K		dB (A)	1,5		
Schalleistungspegel-Durchschnitt nach EN15503: 2009			L _{WA,eq}	dB (A)	110			
			Ungewissheit K		dB (A)	1,0		

Hinweise:

- Aufgrund unseres Dauerprogramms der Forschung und Entwicklung unterliegen die hier angegebenen technischen Daten Änderung ohne Vorankündigung.
- Die technischen Daten können von Land zu Land unterschiedlich sein.

BEZEICHNUNG DER TEILE



1. Schulterriemen	9. Öldeckel	17. Lufteinlassnetz (an Unterseite)	25. Stoppschalter
2. Zündkerzendeckel	10. Schalldämpfer	18. Luftfilterabdeckung	26. Steuerarm
3. Chokehebel	11. Kniestück	19. Schraube (der Luftfilterabdeckung)	27. Hochleistungsdüse
4. Anlasspumpe	12. Flexibles Rohr	20. Tragegriff	28. Volumendüse
5. Startergriff	13. Griffeneinheit	21. Drehzahlsteuerhebel	29. Flachdüse
6. Kraftstofftankdeckel	14. Schwenkrohr	22. Steuergriff	30. Langes Rohr
7. Kraftstofftank	15. Rohr (lang/kurz)	23. Gasabzug	31. Kurzes Rohr (Sonderzubehör)
8. Ölablassschraube	16. Düse	24. Gashebel	32. Vereisungsschutzhebel

- Das Standardzubehör kann von Land zu Land unterschiedlich sein.

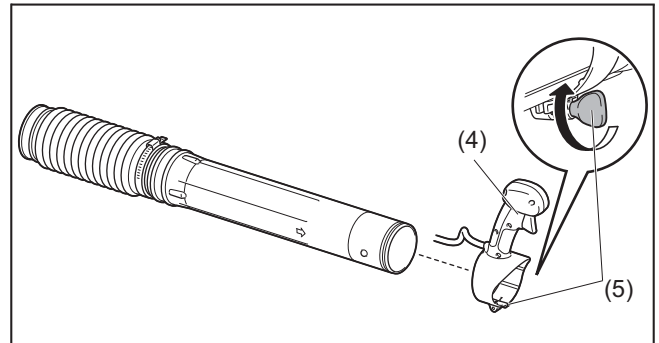
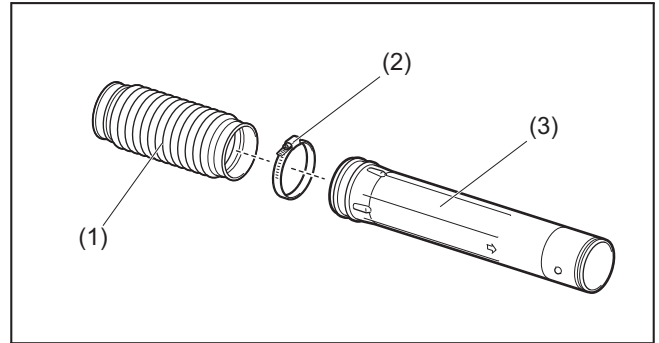
MONTAGEANLEITUNG

MONTAGE DER BLASROHRE

⚠ VORSICHT:

- Bevor Sie irgendwelche Arbeiten am Blasgerät durchführen, sollten Sie stets den Motor abstellen und den Zündkerzenstecker von der Zündkerze abziehen.
Tragen Sie stets Schutzhandschuhe!
- Starten Sie das Blasgerät erst, nachdem es vollständig zusammengebaut worden ist.
- Tragen Sie stets Schutzhandschuhe!

1. Das Schwenkrohr (3) in das flexible Rohr (1) einführen, und die Teile mit der Schlauchschelle (2) festziehen.
2. Den Steuergriff/die Griffeneinheit (4) am Schwenkrohr montieren, und die Teile mit der Klemmschraube (5) festziehen.

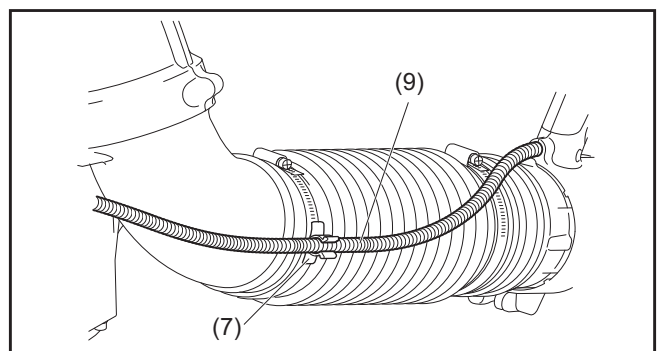
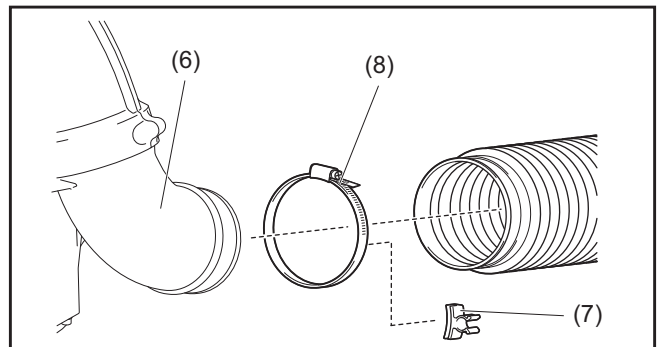


3. Für Modell mit Rohrdrossel

- Das flexible Rohr auf das Kniestück (6) des Blasgerätes schieben.
Den Seilzughalter (7) zwischen Schlauchschelle (8) und Kniestück anbringen.
Seilzughalter, flexibles Rohr und Kniestück mit der Schlauchschelle festziehen.
Den Steuerzug (9) am Seilzughalter (7) anbringen.

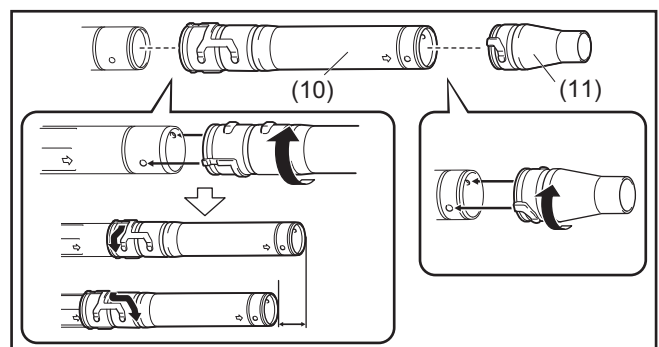
Für Modell mit Hüftdrossel

- Das flexible Rohr auf das Kniestück (6) des Blasgerätes schieben.
Das flexible Rohr und das Kniestück mit der Schlauchschelle (8) festziehen.



4. Das lange/kurze Rohr (10) auf das Schwenkrohr schieben. Das lange/ kurze Rohr im Uhrzeigersinn drehen, um es zu verriegeln.
Dann die Blasdüse (11) am langen/kurzen Rohr anbringen. Die Blasdüse im Uhrzeigersinn drehen, um sie zu verriegeln.

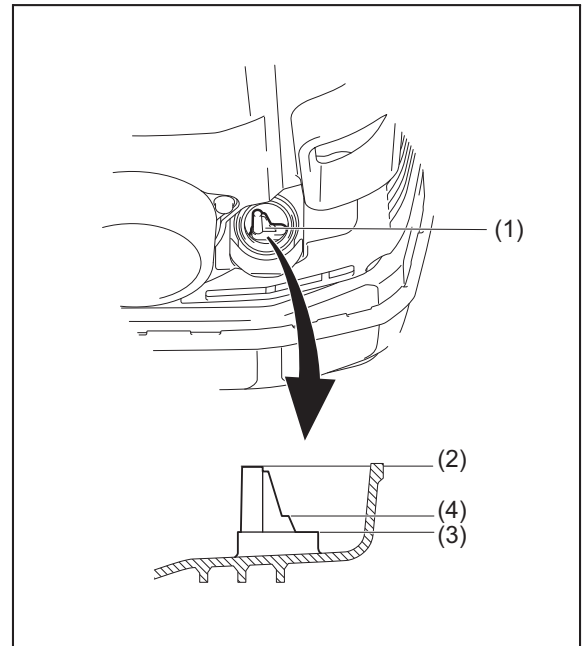
5. Sicherstellen, dass alle Klemmen fest sitzen.



VOR DEM STARTEN DES MOTORS

1. Überprüfen und Nachfüllen von Motoröl

- 1) Führen Sie den folgenden Vorgang bei kaltem Motor durch. Anderenfalls kann es zu Hautverbrennungen kommen.
 - **Überprüfung:** Das Blasgerät auf einer ebenen Fläche absetzen, und den Öldeckel entfernen. Den Ölmesstab (1) überprüfen. Sicherstellen, dass sich der Ölstand zwischen der oberen (2) und unteren (3) Grenzmarkierung befindet. Falls der Ölstand nicht am 100-ml-Pegel (4) steht, neues Öl nachfüllen.
 - **Öl einfüllen:** Das Blasgerät auf einer ebenen Fläche absetzen, und den Öldeckel entfernen. Das Öl bis zur oberen Grenzmarkierung des Ölstandanzeigers einfüllen.
- 2) Im Durchschnitt muss Motoröl nach jeweils 20 Betriebsstunden (jeweils 10 – 15 Betankungen) nachgefüllt werden.
- 3) Wechseln Sie das Öl, sobald es schmutzig wird oder seine Farbe beträchtlich ändert. (Angaben zu Ölwechselverfahren und Häufigkeit finden Sie unter „**Motorölwechsel**“.)



Empfohlenes Öl: Original-Makita-Öl oder SAE10W-30 Öl der API-Klasse SF oder höher (4-Takt-Motoröl für Automobile)
Ölfüllmenge: Ca. 0,22 L (220 ml)

HINWEIS:

- Falls das Blasgerät nicht in aufrechter Stellung abgesetzt wird, kann Öl vom Ölstandanzeiger in den Motor fließen und beim Überprüfen des Ölstands eine falsche Anzeige liefern. Dies kann beim Nachfüllen zu versehentlichem Überfüllen von Motoröl führen. Lagern Sie das Blasgerät stets in aufrechter Stellung.
- Wird Öl über den Maximalpegel hinaus eingefüllt, kann Öl aus der Entlüftung des Filters herausspritzen und die umliegenden Teile verschmutzen, oder weißer Rauch kann durch Verbrennung überschüssigen Öls erzeugt werden.

Ölwechsel „Öldeckel“

- Staub oder Schmutz im Bereich der Öleinfüllöffnung entfernen, und den Öldeckel abnehmen.
- Halten Sie den abgenommenen Öldeckel von Sand oder Staub frei. Anderenfalls kann am Öldeckel haftender Sand oder Staub unregelmäßige Ölzirkulation oder Verschleiß von Motorteilen verursachen, was zu Störungen führt.

Nach dem Einfüllen von Öl

- Verschüttetes Öl mit einem Lappen aufwischen.

2. Kraftstoffzufuhr

WARNUNG:

- Beachten Sie beim Betanken des Gerätes die folgenden Anweisungen, um Entzündung, Brand oder Personenschaden zu verhindern:
 - Das Auftanken muss an einem feuerfreien Ort erfolgen. Bringen Sie niemals Feuer (brennende Zigaretten usw.) in die Nähe des Auftankortes.
 - Stellen Sie den Motor vor dem Auftanken ab, und lassen Sie ihn abkühlen.
 - Tanken Sie auf einer ebenen Fläche auf. Tanken Sie nicht an einem instabilen oder schlecht belüfteten Platz auf.
 - Tanken Sie bei guten Licht- und Sichtverhältnissen auf.
 - Tanken Sie an einem offenen, freien Ort auf.
 - Öffnen Sie den Kraftstofftankdeckel langsam. Anderenfalls kann Kraftstoff durch den internen Druck herausspritzen.
 - Achten Sie darauf, keinen Kraftstoff zu verschütten. Verschütteter Kraftstoff muss aufgewischt werden.
 - Betanken Sie das Gerät an einem gut belüfteten Ort.
- Behandeln Sie Kraftstoff mit Sorgfalt.
 - Kraftstoff, der auf die Haut oder in die Augen gelangt, kann Allergien oder Hautreizungen verursachen. Falls Sie irgendwelche körperlichen Unregelmäßigkeiten feststellen, konsultieren Sie sofort einen Facharzt.
- ÖL NICHT in den Kraftstofftank einfüllen.

LAGERUNGSDAUER VON KRAFTSTOFF

Kraftstoff sollte innerhalb von 4 Wochen aufgebraucht werden, selbst wenn er in einem Spezialbehälter an einem gut belüfteten und schattigen Ort gelagert wird. Anderenfalls kann der Kraftstoff an einem Tag schlecht werden.

Lagerung der Maschine und des Nachfülltanks

- Lagern Sie Maschine und Tank an einem kühlen Ort, der keinem direkten Sonnenlicht ausgesetzt ist.
- Kraftstoff niemals in einem Auto aufbewahren.

KRAFTSTOFF

Der Motor ist ein Viertakt-Motor. Verwenden Sie unbedingt Automobil-Benzin (Normalbenzin oder Super).

Bezüglich des Kraftstoffs zu beachtende Punkte

- Verwenden Sie keinesfalls ein Benzin-Motoröl-Gemisch. Dies verursacht übermäßige Kohlenstoffablagerung oder mechanische Störungen.
- Die Verwendung von verdorbenem Öl verursacht Startschwierigkeiten.

Stellen Sie vor dem Betanken den Motor ab, und warten Sie, bis er abgekühlt ist.

AUFTANKMETHODE

- Den Tankdeckel ein wenig lösen, um den Tankdruck abzulassen.
- Den Tankdeckel abnehmen, dann auftanken. Dabei Luft entweichen lassen, indem der Kraftstofftank so geneigt wird, dass die Kraftstoffeinfüllöffnung oben liegt. Kraftstoff NICHT bis zum Rand des Tanks einfüllen.
- Nach dem Auftanken den Tankdeckel sicher festziehen.
- Falls der Tankdeckel irgendeinen Mangel oder Schaden aufweist, ist er auszutauschen.
- Der Tankdeckel verschleißt im Laufe der Zeit. Er ist alle zwei bis drei Jahre auszutauschen.
- Kraftstoff NICHT in die Öleinfüllöffnung einfüllen.

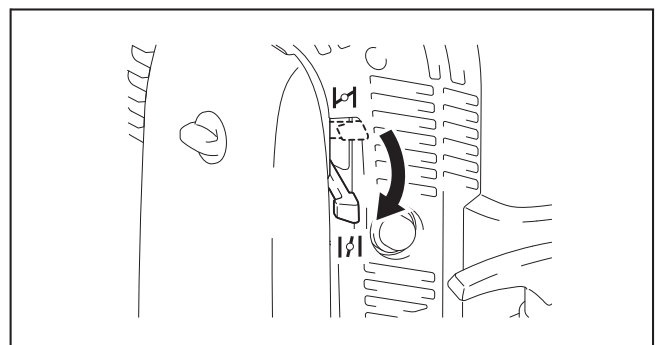
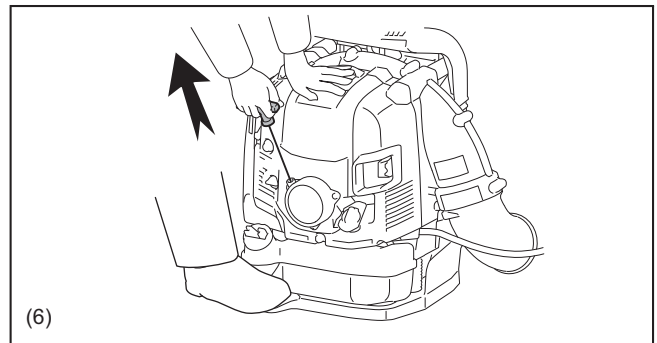
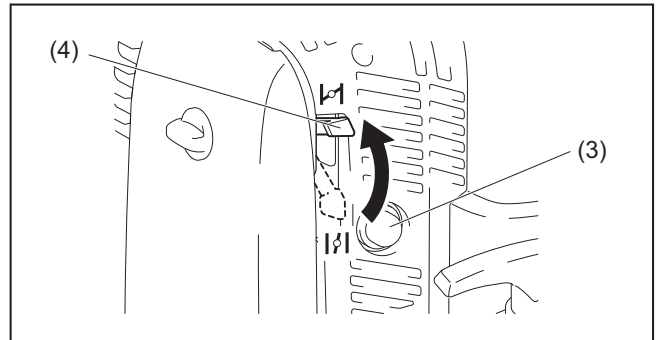
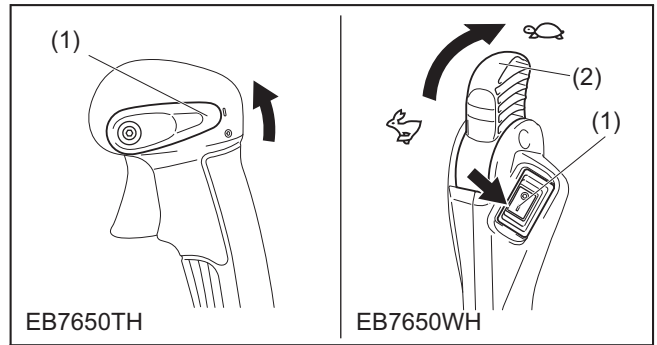
1. Starten

⚠️ WARNUNG:

- Versuchen Sie niemals, den Motor am Auftankort anzulassen.
– Dies kann Entzündung oder Brand verursachen. Beim Starten des Motors einen Abstand von mindestens 3 m einhalten.
- Die Abgase des Motors sind giftig. Betreiben Sie den Motor nicht an einem schlecht belüfteten Ort, wie z. B. in einem Tunnel, Gebäude usw.
– Der Betrieb des Motors an einem schlecht belüfteten Ort kann Vergiftung durch Abgase verursachen.
- Falls Sie irgendwelche Unregelmäßigkeiten im Motorgeräusch, im Geruch oder Vibrationen nach dem Start feststellen, stellen Sie sofort den Motor ab, und führen Sie eine Überprüfung durch.
– Wird der Motor trotz solcher Unregelmäßigkeiten weiter betrieben, kann ein Unfall auftreten.
- Nicht die heiße Motorabdeckung berühren. Anderenfalls kann es zu Hautverbrennungen kommen.
- Stellen Sie vor dem Starten des Motors sicher, dass kein Kraftstoffleck vorhanden ist.
- Stellen Sie sicher, dass der Motor stehen bleibt, wenn der Stoppschalter auf die Position „O“ gestellt wird.

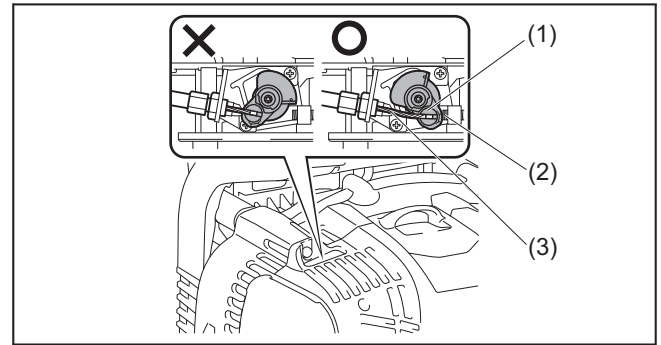
1) Bei kaltem Motor oder nach dem Auftanken (Kaltstart)

- (1) Das Blasgerät auf eine ebene Fläche stellen.
- (2) Für Modell mit Rohrdrossel
Den Drehzahlsteuerhebel (1) auf die Position „I“ stellen.
- (2) Für Modell mit Hüftdrossel
Den Stoppschalter (1) auf die Position „I“ stellen.
Und vergewissern Sie sich, dass der Gashebel (2) auf der Niederdrehzahlposition steht.
- (3) Die Anlasspumpe (3) so lange betätigen, bis Kraftstoff einströmt.
 - Im Allgemeinen fließt Kraftstoff nach 7 bis 10 Betätigungen in den Vergaser.
 - Falls die Anlasspumpe zu stark betätigt wird, fließt überschüssiger Kraftstoff in den Kraftstofftank zurück.
- (4) Den Chokehebel (4) auf die geschlossene Stellung anheben.
- (5) Mit dem rechten Fuß das Pedal treten, und die Oberseite der Geräteabdeckung mit der linken Hand festhalten, um Bewegung des Motors zu verhindern.
- (6) Ziehen Sie den Startergriff langsam heraus, bis Sie die Kompression spüren. Dann kräftig ziehen.
 - Ziehen Sie das Starterseil niemals vollständig heraus.
 - Führen Sie den Startergriff sachte in das Gehäuse zurück. Wenn Sie den Startergriff loslassen, kann er Ihren Körper treffen, oder das Starterseil wird möglicherweise nicht richtig aufgewickelt.
- (7) Sobald der Motor startet, den Chokehebel auf die geöffnete Position absenken.
 - Öffnen Sie den Chokehebel vollständig, während Sie den Motorbetrieb überprüfen.
 - Öffnen Sie den Chokehebel bei niedrigen Temperaturen, oder wenn der Motor nicht warm genug ist, niemals abrupt. Anderenfalls kann der Motor stehen bleiben.
- (8) Setzen Sie den Warmlaufbetrieb für 2 bis 3 Minuten fort.
- (9) Der Warmlauf ist beendet, wenn der Motor von niedriger Drehzahl bis Vollgas schnell anspricht.



HINWEIS:

- Der Motor kann beschädigt werden, falls der Chokehebel über die Stellung „CLOSE“ hinaus geschoben wird.
- Falls der Motor sofort nach dem Anspringen stehen bleibt, diesen Hebel auf die Stellung „OPEN“ zurückstellen, und den Startergriff mehrmals ziehen, um den Motor wieder zu starten.
- Wird der Startergriff mehrmals gezogen, während der Chokehebel in der Stellung „CLOSE“ belassen wird, kann der Motor wegen Überfettung schwer zu starten sein.
- Bei Überfettung die Zündkerze herausdrehen, und den Handgriff mehrmals schnell ziehen, um überschüssigen Kraftstoff auszustoßen. Die Zündkerzenelektrode abtrocknen.
- Falls die Drosselklappe (1) trotz Einstellung des Gashebels auf Niederdrehzahl nicht zu der Position in Kontakt mit der Leerlauf-Einstellschraube (2) zurückkehrt, den Erfassungszustand des Seilzugs (3) korrigieren, um einwandfreie Rückkehr der Drosselklappe zu gewährleisten.



2) Bei warmem Motor (Warmstart)

- (1) Den Motor auf eine ebene Fläche stellen.
- (2) Die Anlasspumpe mehrmals drücken.
- (3) Sicherstellen, dass der Chokehebel geöffnet ist.
- (4) Mit dem rechten Fuß das Pedal treten, und die Oberseite des Gerätes mit der linken Hand festhalten, um Bewegung des Motors zu verhindern.
- (5) Ziehen Sie den Startergriff langsam heraus, bis Sie die Kompression spüren. Dann kräftig ziehen.
- (6) Wenn der Motor schwer zu starten ist, die Drosselklappe um etwa 1/3 öffnen.

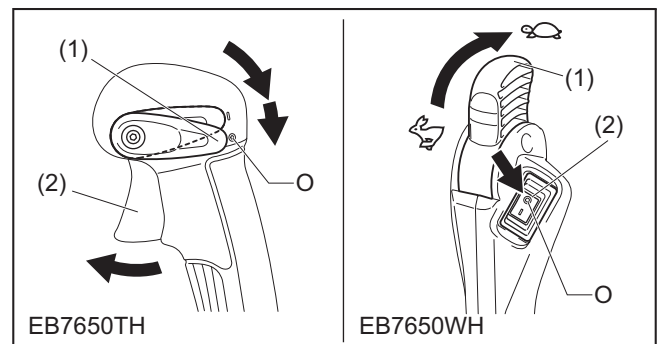
2. Abstellen

Für Modell mit Rohrdrossel

Den Gasabzug (2) loslassen, und dann den Drehzahlsteuerhebel (1) auf die Position „O“ stellen.

Für Modell mit Hüftdrossel

Den Gashebel (1) auf die Niederdrehzahlposition stellen, um die Motordrehzahl zu verringern. Dann den Stoppschalter (2) auf die Position „O“ stellen.



LEERLAUFEINSTELLUNG

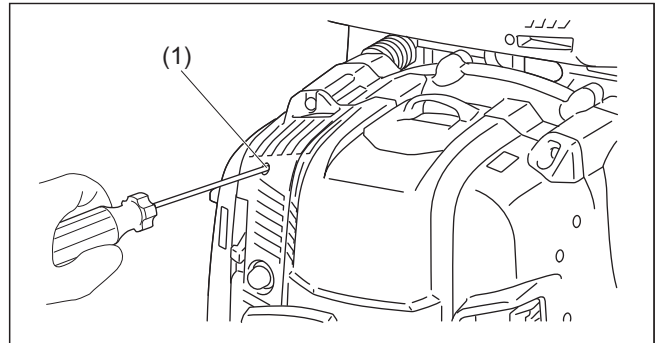
⚠ VORSICHT:

- Der Vergaser ist werksseitig eingestellt. Nehmen Sie außer der LeerlaufEinstellung niemals andere Einstellungen vor. Wenden Sie sich für andere Einstellungen an eine autorisierte Makita-Kundendienststelle.

Überprüfung des Niederdrehzahlbetriebs

Stellen Sie den Niederdrehzahlbetrieb auf 2 800/min ein.

- Sollte eine Änderung der Drehzahl notwendig sein, drehen Sie die Leerlauf-Einstellschraube (1) mit einem Kreuzschlitzschraubendreher.
- Durch Drehen der Einstellschraube nach rechts wird die Motordrehzahl erhöht. Durch Drehen der Einstellschraube nach links wird die Motordrehzahl erniedrigt.



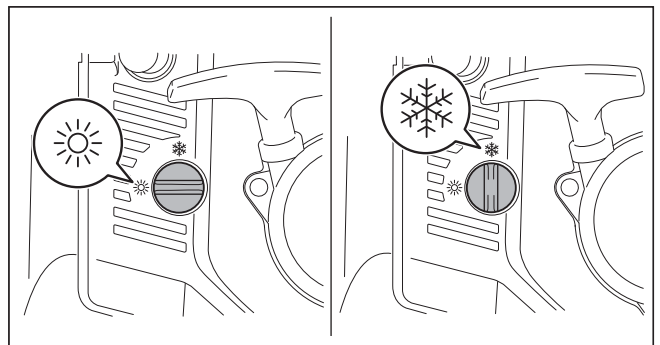
VERHÜTUNG VON VERGASERVEREISUNG

⚠ VORSICHT:

- Stellen Sie den Hebel bei Umgebungstemperaturen über 10°C immer auf die Normalstellung (Sonnensymbol) zurück. Andernfalls kann der Motor durch Überhitzung beschädigt werden.

Bei niedrigen Umgebungstemperaturen und hoher Luftfeuchtigkeit kann Wasserdampf im Vergaser gefrieren (Vergaservereisung), was zu ungleichmäßigem Motorlauf führt. Ändern Sie die Einstellung des Vereisungsschutzhebels nötigenfalls wie folgt.

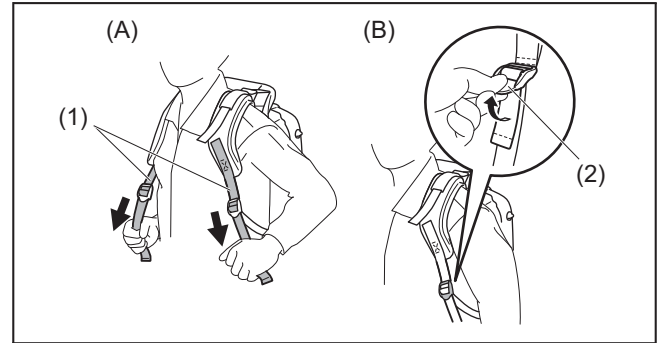
- Umgebungstemperatur ist höher als 10°C: Stellen Sie den Hebel auf die Normalstellung (Sonnensymbol).
- Umgebungstemperatur ist 10°C oder niedriger: Stellen Sie den Hebel auf die Anti-Vereisungsstellung (Schneesymbol).



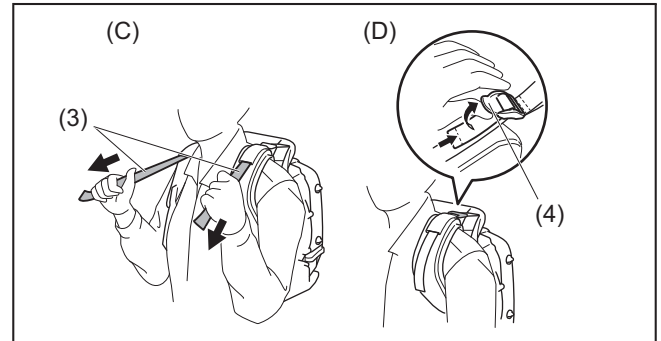
BETRIEBSMETHODE

1. Einstellen des Schulterriemens

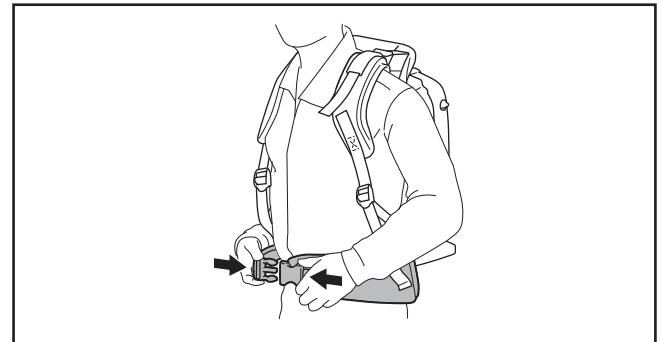
Stellen Sie den Schulterriemen (1) auf eine Länge ein, die bequemes Arbeiten mit dem Blasgerät ermöglicht. Zum Straffen (A) des Riemens, das Riemenende nach unten ziehen. Zum Lockern (B) des Riemens, das Ende der Schnalle (2) hochziehen.



Ziehen Sie den Stabilisierungsriemen (3), bis kein Spielraum mehr zwischen Ihrem Rücken und den Blasgerätegehäuse vorhanden ist. Zum Straffen (C) des Riemens, das Riemenende nach unten ziehen. Zum Lockern (D) des Riemens, das Ende der Schnalle (4) nach oben ziehen.



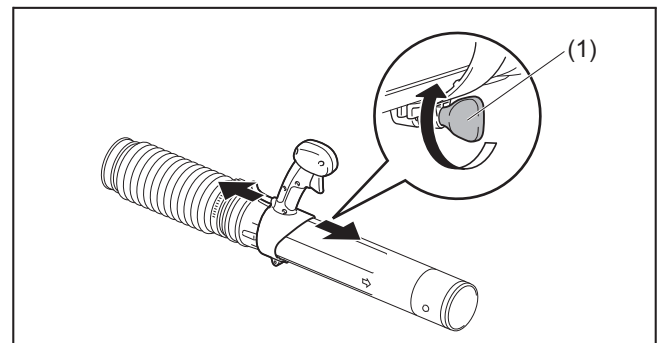
Der Hüftgurt (Sonderzubehör) ermöglicht es dem Benutzer, das Werkzeug stabiler zu tragen.



2. Einstellen des Steuerhebels

Für Modell mit Rohrdrossel

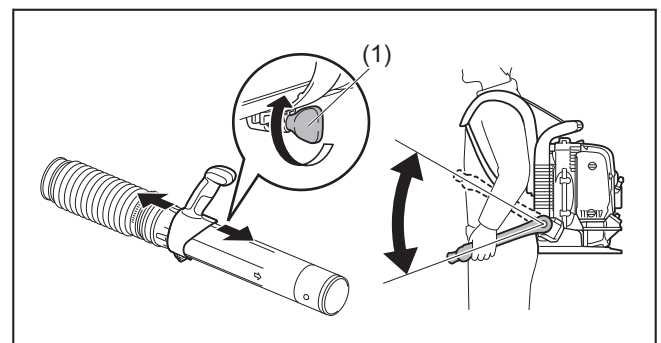
Verschieben Sie den Steuergriff entlang dem Schwenkrohr auf die komfortabelste Position. Ziehen Sie dann den Steuergriff mit der Schraube (1) fest.



Für Modell mit Hüftdrossel

Verschieben Sie die Griffereinheit auf dem Schwenkrohr auf die komfortabelste Position. Ziehen Sie dann den Griff mit der Schraube (1) fest.

Stellen Sie den Winkel des Steuerarms für komfortable Bedienung ein.



3. Blasgerätebetrieb

- 1) Stellen Sie den Gasabzug/Gashebel während des Betriebs des Blasgerätes auf eine für den Arbeitsplatz und die Bedingungen angemessene Luftstrahlkraft ein.
- 2) Einstellen der Motordrehzahl.

Für Modell mit Rohrdrossel

Durch Ziehen des Gasabzugs (1) wird die Motordrehzahl erhöht. Durch Loslassen des Gasabzugs wird die Motordrehzahl verringert.

Einstellen der Motordrehzahl mit der Drehzahlsteuerfunktion:

Die Drehzahlsteuerfunktion gestattet es dem Bediener, eine konstante Motordrehzahl beizubehalten, ohne den Abzughebel zu betätigen.

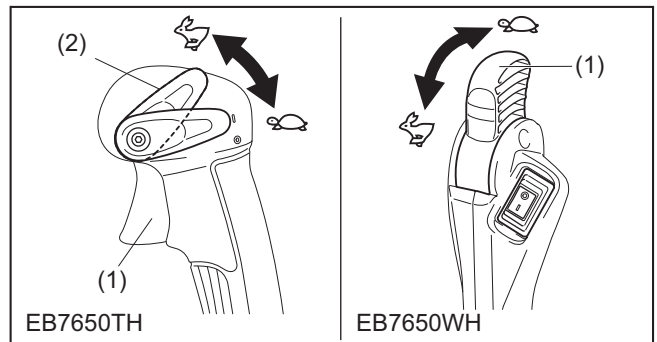
Zum Erhöhen der Motordrehzahl den Drehzahlsteuerhebel (2) auf hohe Drehzahl stellen.

Zum Verringern der Motordrehzahl den Drehzahlsteuerhebel auf niedrige Drehzahl stellen.

Für Modell mit Hüftdrossel

Zum Erhöhen der Motordrehzahl den Gashebel (1) auf hohe Drehzahl stellen.

Zum Verringern der Motordrehzahl den Gashebel auf niedrige Drehzahl stellen.



TRANSPORTIEREN UND LAGERN DES BLASGERÄTES

⚠ VORSICHT:

- Transportieren Sie das Blasgerät grundsätzlich nur mit abgestelltem Motor.

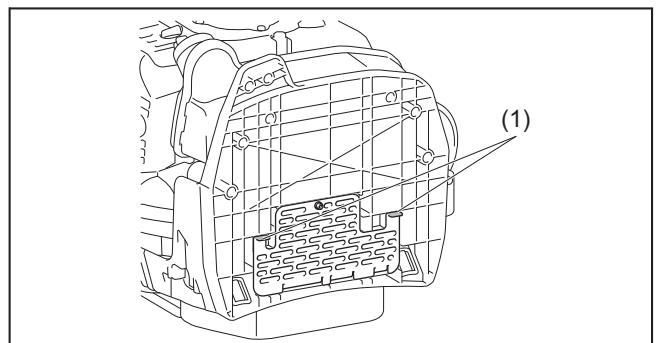
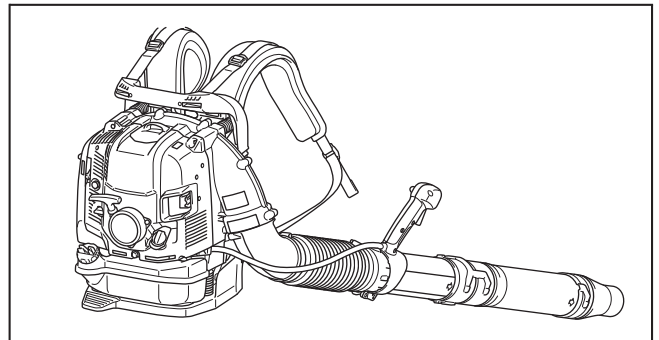
Setzen oder stellen Sie sich nicht auf das Blasgerät, und legen Sie auch keine schweren Gegenstände darauf. Dadurch kann die Maschine beschädigt werden.

Halten Sie das Blasgerät bei Transport oder Lagerung in einer aufrechten Stellung.

Wird das Gerät nicht in aufrechter Stellung transportiert oder gelagert, kann Öl in den Motor des Blasgerätes gelangen. Dies kann zu Öllecks und Erzeugung von weißem Rauch durch Ölverbrennung führen, und außerdem kann der Luftfilter mit Öl verschmutzt werden.

Ziehen Sie das Blasgerät beim Transportieren nicht. Anderenfalls kann das Blasgerätegehäuse oder das Lufteinlassnetz beschädigt werden, und es kann zu Rostbildung kommen.

* Am Lufteinlassnetz befinden sich Erdungskontakte (1), die elektrostatische Ladung an den Boden ableiten.



ÜBERPRÜFUNG UND WARTUNG

⚠ VORSICHT:

- Stellen Sie den Motor ab, und lassen Sie ihn abkühlen, bevor Sie Überprüfungs- und Wartungsarbeiten durchführen. Kerzenstecker und Zündkerze entfernen.
 - Anderenfalls kann der Bediener Verbrennungen oder schwere Verletzungen durch versehentliches Anspringen erleiden.
- Vergewissern Sie sich nach jeder Überprüfung und Wartung, dass alle Teile wieder eingebaut sind. Fahren Sie dann mit dem Betrieb fort.

1. Motorölwechsel

Verschlehtes Motoröl verkürzt die Lebensdauer der gleitenden und rotierenden Teile erheblich. Überprüfen Sie die Zeitspanne und Menge des Wechsels.

⚠ VORSICHT:

- Motoreinheit und Motoröl sind unmittelbar nach dem Abstellen des Motors noch heiß. Vergewissern Sie sich beim Ölwechsel, dass Motoreinheit und Motoröl ausreichend abgekühlt sind. Anderenfalls besteht Verbrennungsgefahr. Warten Sie nach dem Abstellen des Motors, bis das Motoröl in den Öltank zurückgelaufen ist, um eine genaue Ablesung des Ölstandanzeigers zu gewährleisten.
- Wird Öl über den Maximalpegel hinaus eingefüllt, kann das Öl verschmutzt werden oder Feuer fangen und weißen Rauch erzeugen.

Wechselintervall: Nach den ersten 20 Betriebsstunden, danach alle 50 Betriebsstunden
Empfohlenes Öl: SAE 10W-30 Öl der API-Klasse SF oder höher (4-Takt-Motoröl für Automobile)

Ölwechselverfahren

Bitte befolgen Sie diese Schritte beim Ölwechsel:

- (1) Das Blasgerät auf eine ebene Fläche stellen.
- (2) Einen Altölbehälter unter die Ablassöffnung (1) stellen, um das auslaufende Öl aufzufangen. Der Behälter sollte ein Fassungsvermögen von mindestens 220 ml haben, um die gesamte Ölmenge aufzufangen.
- (3) Die Ölablassschraube (2) lösen, um das Öl abzulassen. Achten Sie darauf, dass kein Öl auf den Kraftstofftank oder andere Teile gelangt.

⚠ VORSICHT:

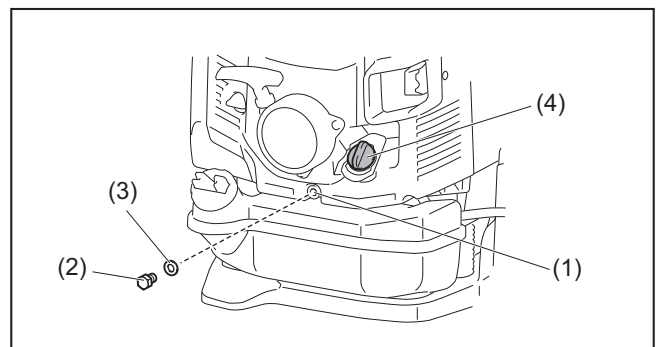
- Achten Sie darauf, dass die Dichtung (Aluminiumscheibe) (3) nicht verloren geht. Legen Sie die Ölablassschraube (2) an einen Ort, wo sich kein Schmutz ansammeln kann.
- (4) Den Öldeckel (4) entfernen. (Durch Entfernen des Öldeckels (4) kann das Öl leichter auslaufen.)

⚠ VORSICHT:

- Legen Sie den Öldeckel (4) an einen Ort, wo sich kein Schmutz ansammeln kann.
- (5) Wenn die auslaufende Ölmenge geringer wird, das Blasgerät zur Seite der Ablassöffnung kippen, damit das Öl restlos ausläuft.
 - (6) Nachdem das Öl vollständig ausgelaufen ist, die Ölablassschraube (2) fest anziehen. Wird die Schraube nicht fest angezogen, kann es zu einem Ölleck kommen.

⚠ VORSICHT:

- Vergessen Sie beim Wiedereindreihen der Ablassschraube nicht, die Dichtung (Aluminiumscheibe) (3) wieder anzubringen.
- (7) Das Einfüllen von Öl während des Ölwechselverfahrens erfolgt auf die gleiche Weise wie beim getrennt beschriebenen Verfahren zum Nachfüllen von Öl bei niedrigem Ölstand. Füllen Sie Öl stets durch die Öffnung unter dem Öldeckel ein. (Vorgeschriebener Ölstand: ca. 220 ml)
 - (8) Nach dem Einfüllen des Öls den Öldeckel (4) festziehen, um Öllecks zu verhüten.



Beim Motorölwechsel zu beachtende Punkte

- Schütten Sie Altöl niemals in den Müll, in den Boden oder in einen Abwassergraben. Die Entsorgung von Öl ist gesetzlich geregelt. Befolgen Sie bei der Entsorgung immer die einschlägigen Gesetze und Vorschriften. Bei Unklarheiten kontaktieren Sie eine Vertragswerkstatt.
- Öl verschlechtert sich, wenn es unbenutzt bleibt. Führen Sie Überprüfung und Wechsel in regelmäßigen Abständen durch (das Öl alle 6 Monate durch neues ersetzen).

2. Reinigen des Luftfilters



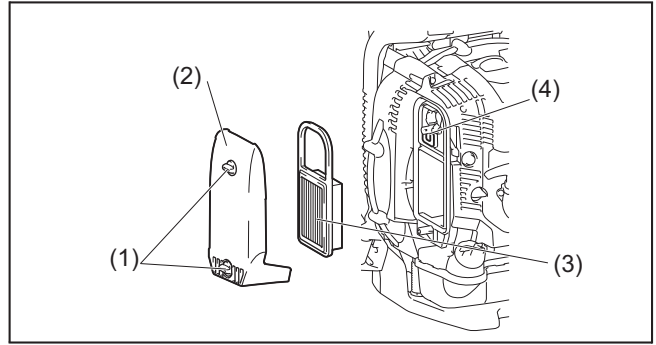
WARNUNG: ZÜNDSTOFFE STRENG VERBOTEN

Reinigungs- und Überprüfungsintervall: Täglich (alle 10 Betriebsstunden)

- (1) Die Schrauben (1) lösen.
- (2) Die Luftfilterabdeckung (2) entfernen.
- (3) Den Filtereinsatz (3) herausnehmen, und jeglichen Schmutz mit einer Bürste vom Einsatz entfernen.

Hinweis:

- Der Einsatz ist ein Trockenelement, das nicht nass werden darf. Keinesfalls mit Wasser abwaschen.
- (4) Ersetzen Sie den Einsatz durch einen neuen, wenn er beschädigt oder stark verschmutzt ist.
 - (5) Wischen Sie etwaiges Öl in der Ventilationsöffnung (4) mit einem Lappen oder Tuch ab.
 - (6) Den Einsatz in das Luftfiltergehäuse einsetzen.
 - (7) Die Luftfilterabdeckung anbringen, und die Rändelschraube anziehen.



BEMERKUNG:

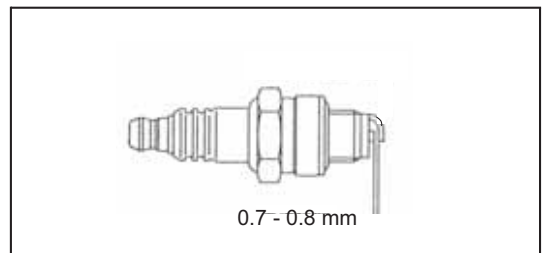
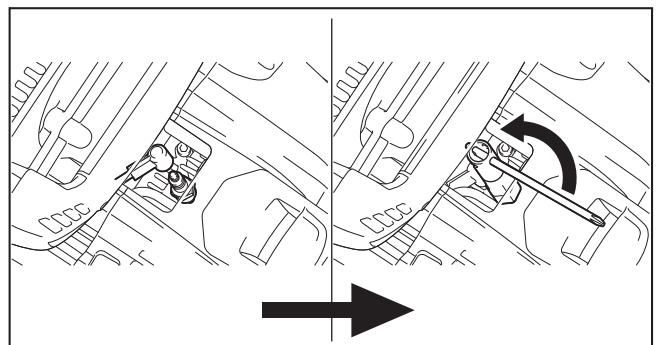
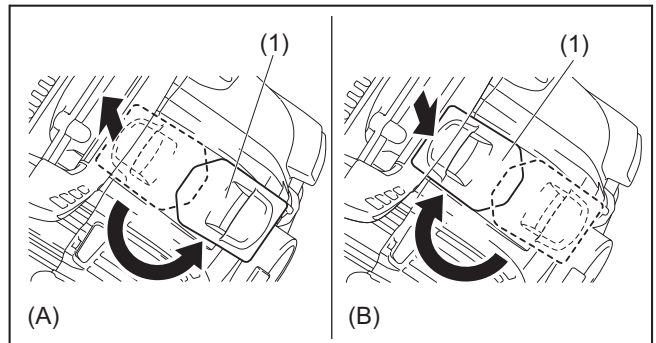
- Reinigen Sie den Einsatz mehrmals pro Tag, falls sich übermäßig viel Staub angesammelt hat.
- Wird der Betrieb fortgesetzt, wenn Öl am Einsatz haften bleibt, kann das Öl im Luftfilter nach außen gelangen und zu Ölverschmutzung führen.

3. Überprüfen der Zündkerze

⚠ VORSICHT:

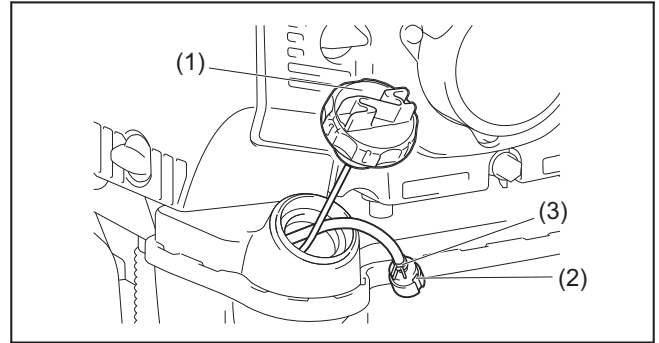
- Berühren Sie die Zündkerze nicht bei laufendem Motor. Anderenfalls kann es zu einem elektrischen Schlag kommen.
- Stellen Sie den Drehzahlsteuerhebel/Stoppschalter auf die AUS-Stellung "0".
- Überprüfen Sie das Zündkerzenkabel regelmäßig. Falls es beschädigt oder gerissen ist, ersetzen Sie es. Anderenfalls kann es zu einem elektrischen Schlag kommen.
- Reinigen Sie zuerst die Zündkerze und den Zylinderkopf, bevor Sie die Zündkerze entfernen, damit kein Schmutz, Sand usw. in den Zylinder gelangt.
- Entfernen Sie die Zündkerze erst, nachdem der Motor abgekühlt ist, um eine Beschädigung der Gewindebohrung im Zylinder zu vermeiden.
- Drehen Sie die Zündkerze korrekt in die Gewindebohrung ein. Wird sie schief eingedreht, führt das zu einer Beschädigung der Gewindebohrung im Zylinder.

- (1) Öffnen/Schließen des Zündkerzendeckels
Zum Öffnen (A) den Zündkerzendeckel (1) anheben und um eine halbe Umdrehung drehen. Zum Schließen (B) den Zündkerzendeckel um eine halbe Umdrehung drehen, und um die Vertiefung herum andrücken.
- (2) Entfernen der Zündkerze
Die Zündkerze mit dem beigegeführten Steckschlüssel heraus- und hineindrehen.
- (3) Überprüfen der Zündkerze
Der Abstand zwischen den beiden Zündkerzenelektroden beträgt 0,7 bis 0,8 mm. Stellen Sie den Elektrodenabstand auf den korrekten Wert ein, wenn er zu groß oder zu klein ist. Die Zündkerze gründlich reinigen oder austauschen, falls sich Kohlenstoff oder Schmutz angesammelt hat.
- (4) Austauschen der Zündkerze
Verwenden Sie NGK-CMR6A als Ersatz.



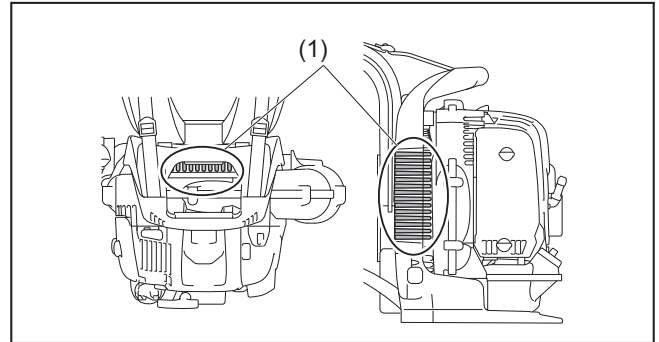
4. Reinigen des Kraftstofffilters

- Ein verstopfter Kraftstofffilter kann Startschwierigkeiten verursachen oder eine Erhöhung der Motordrehzahl verhindern.
- Den Kraftstofffilter regelmäßig wie folgt überprüfen:
 - (1) Den Kraftstofftankdeckel (1) entfernen, und den Kraftstoff ablassen, um den Tank zu leeren. Die Innenseite des Tanks auf etwaige Fremdkörper überprüfen. Falls Fremdkörper vorhanden sind, muss der Tank sauber gewischt werden.
 - (2) Den Kraftstofffilter (2) mit einem Draht durch die Kraftstoff-Einfüllöffnung herausziehen.
 - (3) Falls die Oberfläche des Kraftstofffilters verschmutzt ist, mit Benzin reinigen. Das für die Reinigung verwendete Benzin muss gemäß der von der jeweiligen örtlichen Behörde vorgeschriebenen Methode entsorgt werden. Ein stark verschmutzter Filter muss ausgetauscht werden.
 - (4) Den Kraftstofffilter nach dem Überprüfen, Reinigen oder Austauschen in die Kraftstoffleitung einführen und mit der Schlauchklemme (3) sichern. Den Kraftstofffilter wieder in den Kraftstofftank einsetzen, und den Kraftstofftankdeckel fest anziehen.
- Vergewissern Sie sich, dass der Kraftstofftank keine Beschädigung aufweist.



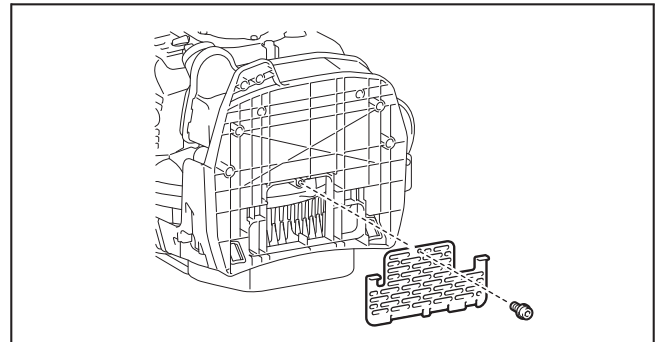
5. Überprüfung von Bolzen, Muttern und Schrauben

- Lockere Schrauben, Muttern usw. nachziehen.
- Auf Kraftstoff- und Öllecks überprüfen.
- Beschädigte Teile für sicheren Betrieb durch neue ersetzen.



6. Reinigung von Teilen

- Halten Sie den Motor durch Abwischen mit einem Lappen sauber.
- Halten Sie die Zylinderlamellen von Staub oder Schmutz frei. An den Lamellen haftender Staub oder Schmutz verursacht Festfressen.
- Die Blaslufte wird durch den Lufteinlass und das Lufteinlassnetz (1) angesaugt. Falls der Luftstrom während des Betriebs schwächer wird, stellen Sie den Motor ab, und überprüfen Sie den Lufteinlass und das Lufteinlassnetz auf etwaige Blockierungen. Reinigen Sie die Teile nötigenfalls.
- Überprüfen Sie das Lufteinlassnetz an der Unterseite. Entfernen Sie die Schraube und das Lufteinlassnetz. Prüfen Sie, ob irgendwelche Blockierungen vorhanden sind. Reinigen Sie die Teile nötigenfalls.
- Eine derartige Blockierung kann Überhitzung verursachen und den Motor beschädigen.



⚠️ WARNUNG:

- Benutzen Sie das Blasgerät keinesfalls ohne das Netz. Stellen Sie vor jeder Benutzung sicher, dass das Netz angebracht und unbeschädigt ist.

7. Austausch von Dichtungen und Packungen

Dichtungen sind im Falle einer Zerlegung des Motors auszutauschen. Wartungs- oder Einstellarbeiten, die nicht in dieser Anleitung enthalten und beschrieben sind, dürfen nur von einer Vertragswerkstatt durchgeführt werden.

LAGERUNG

⚠️ WARNUNG:

- Vor dem Ablassen des Kraftstoffs den Motor abstellen und warten, bis er abgekühlt ist.
– Anderenfalls kann es zu Verbrennungen oder einem Brand kommen.

⚠️ VORSICHT:

- Soll die Maschine längere Zeit gelagert werden, den Kraftstoff restlos von Kraftstofftank und Vergaser ablassen, und die Maschine an einem trockenen und sauberen Ort aufbewahren.

Kraftstoff nach dem folgenden Verfahren von Kraftstofftank und Vergaser ablassen:

- (1) Den Kraftstofftankdeckel entfernen, und den Kraftstoff vollständig ablassen. Falls Fremdkörper im Kraftstofftank vorhanden sind, diese vollkommen entfernen.
- (2) Den Kraftstofffilter mit einem Draht aus der Nachfüllöffnung herausziehen.
- (3) Die Anlasspumpe drücken, bis Kraftstoff von ihr ausläuft, und den in den Kraftstofftank fließenden Kraftstoff ablassen.
- (4) Den Kraftstofffilter wieder in den Kraftstofftank einsetzen, und den Kraftstofftankdeckel fest anziehen.
- (5) Dann den Motor laufen lassen, bis er stehen bleibt.
- (6) Die Zündkerze entfernen, und mehrere Tropfen Motoröl durch die Zündkerzenbohrung tröpfeln lassen.
- (7) Den Startergriff sachte ziehen, so dass sich das Motoröl im Motor verteilt, und die Zündkerze wieder eindrehen.
- (8) Die Maschine mit oben liegendem Griff aufbewahren.
- (9) Den abgelassenen Kraftstoff in einem Spezialbehälter an einem gut belüfteten und schattigen Ort lagern.

Fehlerortung

Fehler	System	Beobachtung	Ursache
Motor springt nicht oder nur schwer an	Zündanlage	Zündfunken OK	Störung in Kraftstoffzufuhr oder Kompressionssystem, mechanischer Defekt
		Kein Zündfunke	Stoppschalter betätigt, Fehler oder Kurzschluss in Verkabelung, Zündkerze oder Kerzenstecker defekt, Zündmodul fehlerhaft
	Kraftstoffzufuhr	Kraftstofftank gefüllt	Falsche Chokeyposition, defekter Vergaser, Kraftstoffleitung verbogen oder blockiert, Kraftstoff verschmutzt
	Kompression	Keine Kompression beim Ziehen	Zylinderfußdichtung defekt, Kurbelwellendichtungen beschädigt, Zylinder oder Kolbenringe defekt oder schlechte Abdichtung der Zündkerze
Warmstartprobleme	Mechanischer Fehler	Starter rückt nicht ein	Gerissene Starterfeder, beschädigte Motor-Innenteile
		Tank gefüllt, Zündfunke vorhanden	Vergaser verschmutzt, reinigen lassen
Motor springt an, stirbt aber sofort wieder ab	Kraftstoffzufuhr	Tank gefüllt	Falsche Leerlaufeinstellung, Vergaser verschmutzt
Unzureichende Leistung	Mehrere Systeme können gleichzeitig betroffen sein	Schlechter Leerlauf des Motors	Kraftstofftankbelüftung defekt, Kraftstoffzufuhrleitung unterbrochen, Kabel oder Stoppschalter fehlerhaft
			Luftfilter verschmutzt, Vergaser verschmutzt, Schalldämpfer zugesetzt, Auslasskanal im Zylinder zugesetzt

Gegenstand	Betriebszeit							Abstellen/ Ruhe lassen	Entsprechende Seite
		Vor dem Betrieb	Nach der Schmierung	Täglich (10 Std.)	30 Std.	50 Std.	200 Std.		
Motoröl	Überprüfen/ Reinigen	○							50
	Austauschen					○ ^{*1}			57
Befestigungsteile (Schraube, Mutter)	Überprüfen	○							59
Kraftstofftank	Reinigen/ Überprüfen	○							—
	Kraftstoff ablassen						○ ^{*3}		59
Gasabzug/ Gashebel	Funktion überprüfen		○						—
Drehzahlsteuerhebel/ Stoppschalter	Funktion überprüfen		○						53
Niedrige Drehzahl	Überprüfen/ Einstellen			○					54
Luftfilter	Reinigen			○					58
Zündkerze / Zündkerzenkabel	Überprüfen			○					58
Kühlluftkanal	Reinigen/ Überprüfen			○					59
Kraftstoffleitung	Überprüfen			○					59
	Austauschen						⊙ ^{*2}		—
Kraftstofffilter	Reinigen/ Austauschen					○			59
Abstand zwischen Luftinlassventil und Luftauslassventil	Einstellen						⊙ ^{*2}		—
Ölleitung	Überprüfen						⊙ ^{*2}		—
Motorüberholung							⊙ ^{*2}		—
Vergaser	Kraftstoff ablassen						○ ^{*3}		59

*1 Ersten Austausch nach 20 Betriebsstunden durchführen.

*2 Für die Überprüfung nach 200 Betriebsstunden eine Vertragswerkstatt oder einen Mechaniker beauftragen.

*3 Den Motor nach dem Leeren des Kraftstofftanks weiter laufen lassen, und den Kraftstoff im Vergaser ablassen.

FEHLERSUCHE

Bevor Sie eine Reparatur anfordern, versuchen Sie zunächst, die Störungsursache selber ausfindig zu machen. Falls Sie eine Unregelmäßigkeit feststellen, kontrollieren Sie Ihre Maschine gemäß der Beschreibung in dieser Anleitung. Niemals Eingriffe vornehmen oder Teile ausbauen, die von der Beschreibung abweichen. Wenden Sie sich für Reparaturen an eine Vertragswerkstatt oder einen örtlichen Händler.

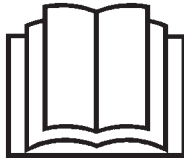
Zustand der Unregelmäßigkeit	Wahrscheinliche Ursache (Funktionsstörung)	Abhilfemaßnahme
Der Motor springt nicht an.	Anlasspumpe wurde nicht betätigt	7- bis 10-mal drücken.
	Zu niedrige Zuggeschwindigkeit des Starterseils	Kräftig ziehen.
	Kraftstoffmangel	Kraftstoff zuführen.
	Zugesetzter Kraftstofffilter	Reinigen
	Verbogene Kraftstoffleitung	Kraftstoffleitung begradigen.
	Verschlechterter Kraftstoff	Verschlechterter Kraftstoff erschwert das Anlassen. Durch neuen ersetzen. (Empfohlener Austausch: 1 Monat)
	Übermäßige Kraftstoffansaugung	Den Gashebel von mittlerer auf hohe Drehzahl einstellen, und den Startergriff ziehen, bis der Motor anspringt. Falls der Motor nicht anspringt, die Zündkerze entfernen, die Elektroden abtrocknen, und die Teile wieder an ihrem ursprünglichen Platz einbauen. Dann vorschriftsmäßig starten.
	Losgelöster Kerzenstecker	Einwandfrei anbringen.
	Verschmutzte Zündkerze	Reinigen
	Anormaler Elektrodenabstand	Abstand einstellen.
	Sonstige Unregelmäßigkeit der Zündkerze	Austauschen
	Anormaler Vergaser	Überprüfung und Wartung anfordern.
	Startergriff kann nicht gezogen werden.	Überprüfung und Wartung anfordern.
Anormales Antriebssystem	Überprüfung und Wartung anfordern.	
Der Motor bleibt sofort wieder stehen. Die Motordrehzahl nimmt nicht zu.	Unzureichender Warmlauf	Warmlaufvorgang durchführen.
	Chokehebel wurde trotz warmgelaufenen Motors auf „CLOSE“ gestellt.	Auf „OPEN“ stellen.
	Zugesetzter Kraftstofffilter	Reinigen
	Verschmutzter oder zugesetzter Luftfilter	Reinigen
	Anormaler Vergaser	Überprüfung und Wartung anfordern.
	Anormales Antriebssystem	Überprüfung und Wartung anfordern.
	Losgelöster Gaszug	Einwandfrei anbringen.
Der Motor geht nicht aus. ↓ Den Motor im Leerlauf betreiben, und den Chokehebel auf „CLOSE“ stellen.	Losgelöster Stecker	Einwandfrei anbringen.
	Anormale Elektrik	Überprüfung und Wartung anfordern.

Wenn der Motor nach dem Warmlaufbetrieb nicht anspringt:
Falls keine Unregelmäßigkeit bei den Prüfpunkten festgestellt wird, den Gashebel um etwa 1/3 betätigen, und den Motor starten.

Grazie per aver scelto questo soffiatore Makita. Siamo fieri di poter offrire questo soffiatore Makita, che è il risultato di un lungo programma di sviluppo e di molti anni di conoscenze e di esperienze.

Questi modelli di soffiatori combinano i vantaggi di una tecnologia da stato dell'arte e un disegno ergonomico. Essi sono leggeri, maneggevoli, compatti, e rappresentano apparecchi professionali per una grande varietà di applicazioni.

Leggere, capire e seguire questo libretto, che descrive dettagliatamente i vari punti che dimostrano le sue eccezionali qualità. Esso aiuta a ottenere in tutta sicurezza le prestazioni migliori possibili di questo soffiatore Makita.



Indice

	Pagina
Simboli	62
Istruzioni per la sicurezza	63
Dichiarazione di conformità CE	66
Dati tecnici	67
Nome delle parti	68
Istruzioni per il montaggio.....	69
Prima di avviare il motore.....	70
Utilizzo	72
Regolazione del minimo	74
Prevenzione del congelamento del carburatore.....	74
Modo di utilizzo.....	75
Ispezione e manutenzione.....	77
Immagazzinaggio	79
Correzione dei problemi	81

SIMBOLI

Per la lettura di questo manuale è molto importante capire i simboli seguenti.

	AVVERTIMENTO/PERICOLO		Tenere lontani gli astanti
	Leggere, capire e seguire il manuale di istruzioni		Carburante (benzina)
	Da non fare		Avviamento manuale del motore
	Vietato fumare		Arresto di emergenza
	Niente fiamme nude		Pronto soccorso
	Si devono indossare i guanti di protezione		ON/AVVIAMENTO
	Tenere tutte le persone e gli animali domestici lontani dall'area di lavoro		OFF/ARRESTO
	Proteggere gli occhi e le orecchie		Mutilazione delle dita o della mano, lama della ventola
	Superfici molto calde - Pericolo di ustionare le dita o le mani		I capelli lunghi possono causare incidenti.

ISTRUZIONI PER LA SICUREZZA

Istruzioni generali

- Per un funzionamento corretto e sicuro, l'operatore deve leggere, capire e seguire questo manuale di istruzioni per familiarizzarsi con il modo di usare il soffiatore (1). Gli operatori senza sufficienti informazioni rischiano di mettere in pericolo se stessi e anche gli altri, a causa di un utilizzo scorretto.
- Si consiglia di prestare il soffiatore soltanto alle persone di provata esperienza nell'uso dei soffiatori.
- Consegnare sempre il manuale di istruzioni unitamente al soffiatore.
- Chi usa il soffiatore per la prima volta deve chiedere al rivenditore le istruzioni di base per familiarizzarsi con il modo di usare il soffiatore.
- L'uso del soffiatore deve essere vietato ai bambini e alle persone sotto i 18 anni. I giovani di oltre 16 anni potrebbero però usare il soffiatore a scopo di addestramento, ma soltanto sotto la supervisione di una persona qualificata.
- Usare il soffiatore prestando sempre la massima attenzione.
- Usare il soffiatore soltanto in condizioni fisiche perfette.
- Eseguire ogni lavoro coscientemente e con cura. L'operatore è responsabile nei confronti di terzi.
- Il soffiatore non deve mai essere usato sotto l'effetto di alcol o di medicine (2).
- Non usarlo in stato di stanchezza.
- Conservare queste istruzioni per riferimenti futuri.

Equipaggiamento personale di protezione

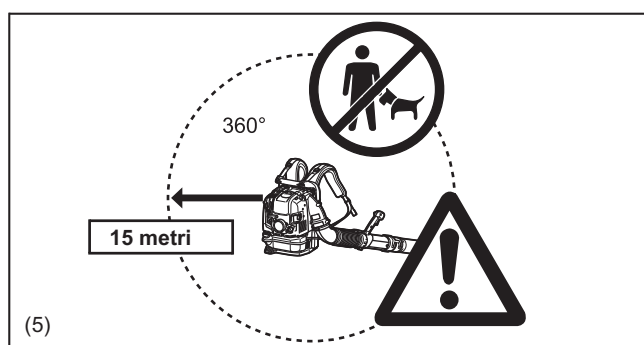
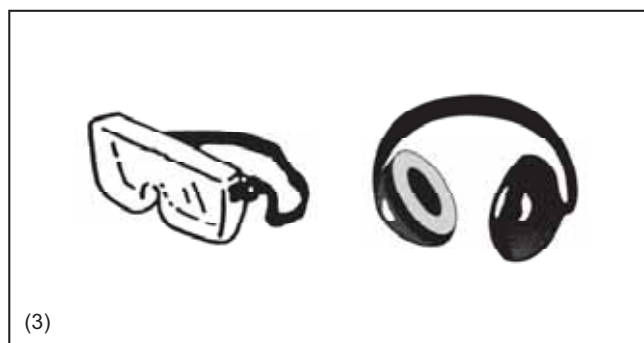
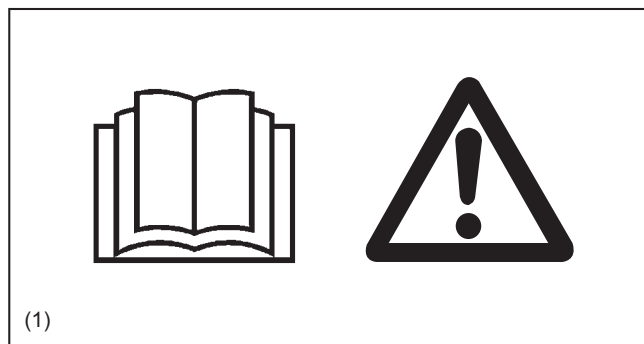
- L'abbigliamento indossato deve essere funzionale e appropriato, e cioè deve essere aderente senza ostacolare i movimenti. Non indossare gioielli o capi di abbigliamento che potrebbero venir aspirati dall'apparecchio. Fare attenzione ai capelli lunghi.
- Per evitare ferite a testa, occhi, mani o piedi, e per proteggere l'udito, durante l'uso del soffiatore è necessario indossare l'equipaggiamento e l'abbigliamento protettivo seguente.

Prestare una particolare attenzione alle norme seguenti

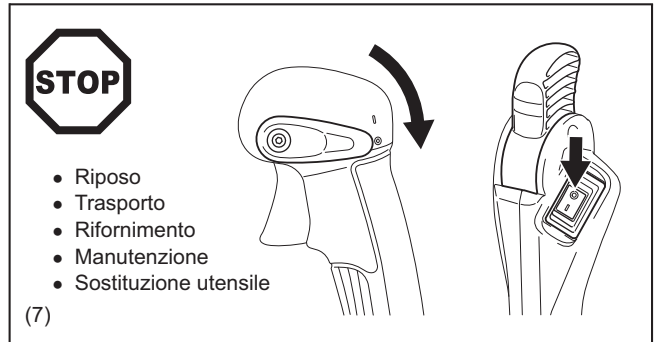
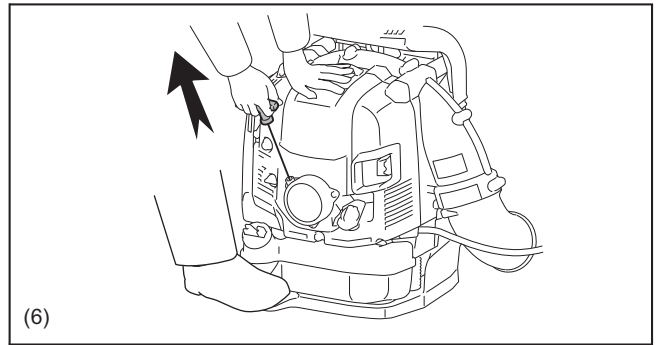
- Gli abiti devono essere robusti e aderenti, ma allo stesso tempo permettere la piena libertà di movimento. Non indossare giacche ampie, pantaloni scampanati o con risvolti, e scarpe, non lasciare i capelli lunghi sciolti ed evitare tutto ciò che potrebbe essere attirato nell'ingresso dell'aria. (4) Per proteggere le gambe, indossare una tuta o pantaloni lunghi. Non indossare pantaloncini corti. (4)
- I motori sono generalmente rumorosi, e il loro rumore potrebbe danneggiare l'udito. Indossare le protezioni contro i rumori (tappi per le orecchie o cuffie). Chi fa un uso continuo e frequente, dovrebbe sottoporsi a regolari controlli dell'udito. (3)
- Per il lavoro con il soffiatore si consiglia di usare guantoni. Calzare scarponcini robusti con soles antiscivolo. (4)
- L'uso degli occhiali di protezione è obbligatorio. Anche se lo scarico è rivolto lontano dall'operatore, durante il funzionamento del soffiatore si potrebbero verificare dei rimbalzi di detriti verso lo stesso. (3)
- Il soffiatore non deve mai essere usato senza aver prima indossato gli occhiali di protezione, oppure occhiali di sicurezza con protezione superiore e laterale adeguata, conformi EN166 e alle norme locali.
- Per ridurre il rischio di danni causati dalla inalazione della polvere, in condizioni di polvere usare una mascherina per il viso con filtro antipolvere.

Avviamento del soffiatore

- Accertarsi che non ci siano bambini o altre persone entro un'area di lavoro di 15 metri (5), e fare anche attenzione agli animali nelle vicinanze del lavoro. Il soffiatore non deve mai essere usato all'interno delle aree urbane.
- Prima di usarlo, controllare sempre che il soffiatore funzioni correttamente:
Controllare la sicurezza della leva di comando gas. Bisogna controllare che l'azione della leva di comando gas sia scorrevole e uniforme. Controllare che il dispositivo di bloccaggio della leva di comando gas funzioni correttamente. Accertarsi che le impugnature siano pulite e asciutte, e controllare il funzionamento dell'interruttore I-O (Avviamento/Arresto). Controllare che le impugnature non siano sporche di olio o carburante.

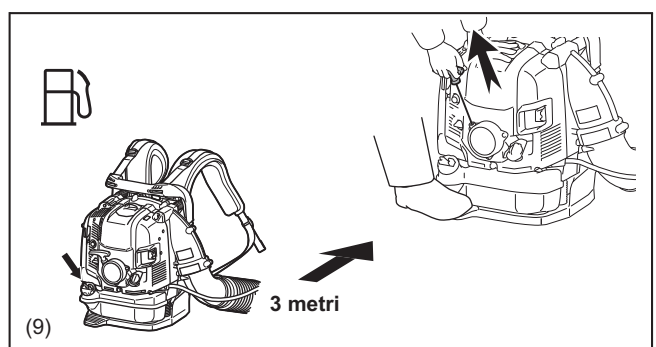
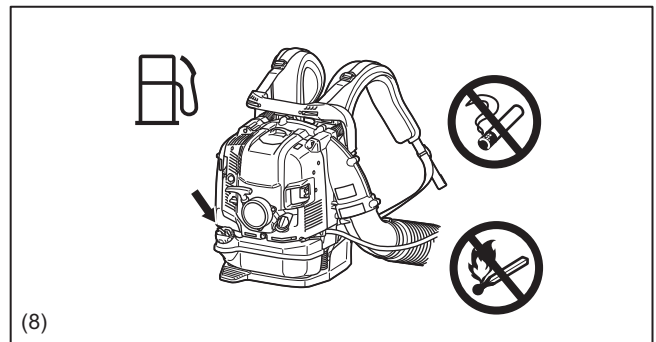


- Avviare il soffiatore soltanto secondo le istruzioni. Per avviare il motore non si deve usare alcun altro metodo. (6)
- Usare il soffiatore e gli attrezzi forniti soltanto per le applicazioni specificate.
- Avviare il motore soltanto dopo aver montato l'intero soffiatore. Il soffiatore può essere usato soltanto dopo che sono stati montati tutti gli accessori appropriati.
- Il soffiatore deve essere spento immediatamente se si verifica un qualsiasi problema del motore.
- Durante il lavoro, afferrare saldamente il soffiatore per l'impugnatura, tenendo l'impugnatura di controllo tra il pollice l'indice. Tenere la mano in questa posizione per avere sempre la macchina sotto controllo. Accertarsi che l'impugnatura di controllo sia in buone condizioni e senza tracce di umidità, olio o grasso. Accertarsi sempre di avere un appoggio sicuro per i piedi, e mantenere un buon equilibrio.
- Trasportare correttamente il soffiatore su entrambe le spalle durante il lavoro. Il soffiatore non deve essere trasportato con una sola cinghia da spalla. In caso contrario, c'è pericolo di un incidente.
- Usare il soffiatore in modo da non inalare i gas di scarico. Non far mai girare il motore in ambienti chiusi (pericolo di soffocamento e di avvelenamento da gas). Il monossido di carbonio è un gas inodoro. Accertarsi sempre che la ventilazione sia adeguata.
- Spegnerlo durante le pause del lavoro, o quando si lascia il soffiatore incustodito. Tenerlo in un luogo sicuro per evitare pericoli a terzi, di incendiare materiali combustibili o di danneggiare la macchina.
- Non mettere mai il soffiatore caldo sull'erba secca o un qualsiasi altro materiale combustibile.
- Prima di utilizzare il soffiatore si devono installare tutte le protezioni fornite con la macchina.
- Il motore non deve mai essere fatto funzionare con la marmitta di scarico difettosa.
- Spegnerlo durante il trasporto. (7)
- Sistemare il soffiatore in modo sicuro durante il trasporto in macchina o camion, per evitare perdite di carburante.
- In caso di trasporto del soffiatore, accertarsi che il serbatoio del carburante sia completamente vuoto.
- Trasportare il soffiatore a mano. Non trascinarlo per la bocchetta, tubo o altre parti.
- Per trasportare il soffiatore, piegare il ginocchio e fare attenzione a non danneggiare la spalla o il fondo schiena.



Rifornimento

- Spegnerlo durante il rifornimento (7), tenerlo ben lontano dalle fiamme nude (8) e non fumare.
- Evitare il contatto del carburante con la pelle. Non inalare i vapori del carburante. Indossare sempre i guanti di protezione durante il rifornimento. Cambiare e pulire l'abbigliamento di protezione a intervalli regolari.
- Fare attenzione a non spandere il carburante o l'olio, per evitare l'inquinamento del suolo (protezione dell'ambiente). Pulire immediatamente il soffiatore se è stato spanto del carburante. Lasciare asciugare gli stracci bagnati prima di disfarsene mettendoli in un contenitore appropriato e chiuso, in modo da evitare una combustione spontanea.
- Evitare qualsiasi contatto del carburante con i vestiti. Cambiare immediatamente vestito se su di esso è stato spanto del carburante (pericolo d'incendio).
- Ispezionare il tappo del carburante a intervalli regolari, controllando che rimanga chiuso saldamente.
- Stringere con cura le vite di bloccaggio del serbatoio del carburante. Cambiare luogo prima di avviare il motore (almeno 3 metri dal posto di rifornimento). (9)
- Il rifornimento non deve mai essere fatto in ambienti chiusi. I vapori del carburante si accumulano al livello del suolo (pericolo di esplosione).
- Trasportare e conservare il carburante soltanto in contenitori omologati. Accertarsi che i bambini non possano avere accesso al luogo dove si conserva il carburante.
- Non cercare di fare rifornimento quando il motore è caldo o mentre gira.



Modo di utilizzo

- Usare il soffiatore soltanto in buone condizioni di illuminazione e di visibilità. Fare attenzione ai luoghi scivolosi o bagnati, ghiaccio e neve (pericolo di scivolare), e agli spazi angusti. Accertarsi sempre di avere i piedi appoggiati saldamente al suolo.
- Non si deve mai lavorare su superfici instabili o su terreni ripidi.
- Non lavorare sulle scale o in posti alti. In caso contrario, c'è pericolo di incidenti.
- Per evitare il rischio di incidenti, non dirigere il getto d'aria verso gli astanti, perché l'alta pressione del flusso d'aria potrebbe danneggiare gli occhi e far volare piccoli oggetti a grande velocità.
- Non si devono mai inserire oggetti estranei nella presa d'aria della macchina o nella bocchetta del soffiatore. Essi potrebbero danneggiare la ventola e causare un serio incidente all'operatore o agli astanti, perché essi o parti rotte potrebbero essere scagliati fuori a grande velocità.
- Fare attenzione alla direzione del vento, e cioè di non lavorare mai controvento.
- Per ridurre il rischio di inciampare e di una perdita di controllo, non camminare all'indietro mentre si usa la macchina.
- Spegnerne sempre il motore prima di eseguire operazioni di pulizia o di manutenzione della macchina, o di sostituire delle parti.
- Fare una pausa per evitare una perdita di controllo causata dalla stanchezza. Si consiglia una pausa dai 10 ai 20 minuti ogni ora.
- Non usare la macchina vicino alle finestre, ecc.
- Per evitare i danni causati dalle vibrazioni e/o di danneggiare l'udito, far funzionare la macchina a bassa velocità, se possibile, e limitare il tempo di utilizzo.
- Far funzionare la macchina soltanto alle ore ragionevoli. Non far funzionare il soffiatore la mattina presto o la sera tardi, quando si potrebbe disturbare.
- Si consiglia di usare un rastrello e una scopa per spargere i frammenti prima di soffiare.
- Prima di soffiare, bagnare leggermente le superfici nei luoghi polverosi, oppure usare uno spruzzatore di vapore acqueo se necessario.
- Regolare la lunghezza della bocchetta del soffiatore, in modo che il flusso operi vicino al suolo.
- Per ridurre i livelli del rumore, limitare il numero dei pezzi dell'attrezzatura usati allo stesso tempo.

PULIRE dopo aver usato il soffiatore e altra attrezzatura. Gettare i frammenti nei contenitori della spazzatura.

Istruzioni per la manutenzione

- Rispettare l'ambiente. Far funzionare il soffiatore con quanto meno rumore e inquinamento possibile. In modo particolare, controllare la regolazione corretta del carburatore.
- Pulire il soffiatore a intervalli regolari, e controllare che tutte le viti e i dadi siano stretti saldamente.
- Non si devono mai eseguire operazioni di manutenzione o lasciare il soffiatore nelle vicinanze di fiamme nude, ecc. (11).
- Custodire sempre il soffiatore in una stanza chiusa, ben ventilata, e con il serbatoio del carburante vuoto.

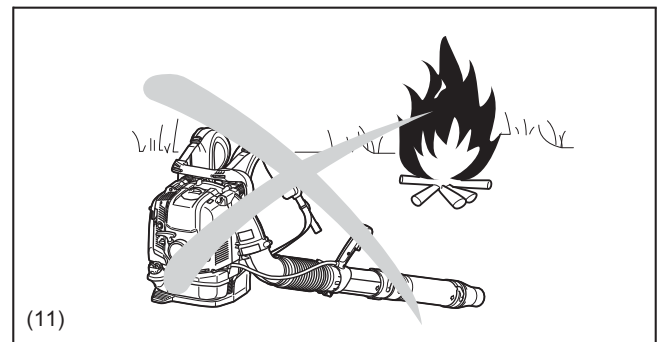
Rispettare tutte le norme di prevenzione degli infortuni previste dalle associazioni di categoria e dalle compagnie di assicurazione. L'operatore non deve eseguire alcuna modifica del soffiatore, perché ciò mette a rischio la sua incolumità personale.

Il lavoro di manutenzione o di riparazione da parte dell'utente è limitato alle attività descritte in questo manuale di istruzioni. Ogni altro lavoro deve essere eseguito da un Servizio di Assistenza autorizzato.

Usare soltanto i ricambi e gli accessori forniti da Makita.

L'impiego di accessori e utensili non omologati aumenta il rischio di incidenti. La Makita declina ogni responsabilità per gli incidenti o danni causati dall'impiego di parti o accessori non autorizzati.

Non si deve mai modificare l'utensile. Ciò potrebbe causare pericoli e incidenti.

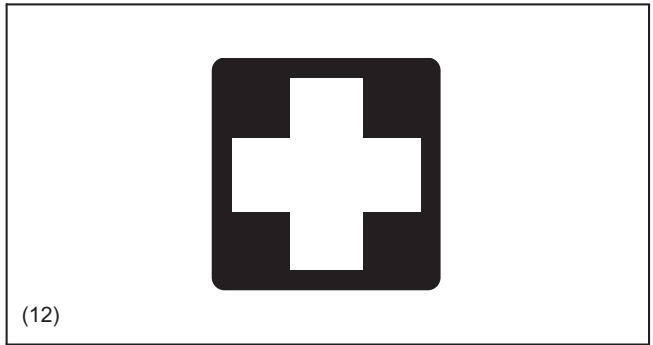


Pronto soccorso

Fare in modo che in caso di incidente ci sia una cassetta di pronto soccorso ben provvista vicino a dove si lavora. Sostituire immediatamente qualsiasi cosa prelevata dalla cassetta di pronto soccorso.

Quando si chiede aiuto, fornire le informazioni seguenti:

- Luogo dell'incidente
- Descrizione dell'accaduto
- Numero di feriti
- Gravità delle ferite
- Il proprio nome



Paesi europei soltanto

Dichiarazione di conformità CE

Noi della Makita Corporation, come produttori responsabili, dichiariamo che la macchina Makita seguente:

Designazione della macchina: Soffiatore a benzina

Modello No./Tipo: EB7650TH, EB7650WH

Dati tecnici: vedere la tabella "DATI TECNICI"

è prodotta in serie

conformemente alle direttive europee seguenti:

2000/14/CE, 2006/42/CE

È inoltre fabbricata in conformità agli standard o documenti standardizzati seguenti:

EN15503

La documentazione tecnica è tenuta dal nostro rappresentante autorizzato in Europa, che è:

Makita International Europe Ltd.,

Michigan Drive, Tongwell, Milton Keynes, Bucks MK15 8JD, England

La procedura di determinazione della conformità richiesta dalla Direttiva 2000/14/CE è stata eseguita in conformità all'allegato V.

Livello di potenza sonora misurato: 110 dB

Livello di potenza sonora garantito: 111 dB

6. 8. 2013



Tomoyasu Kato

Direttore

Makita Corporation

3-11-8, Sumiyoshi-cho,

Anjo, Aichi, JAPAN

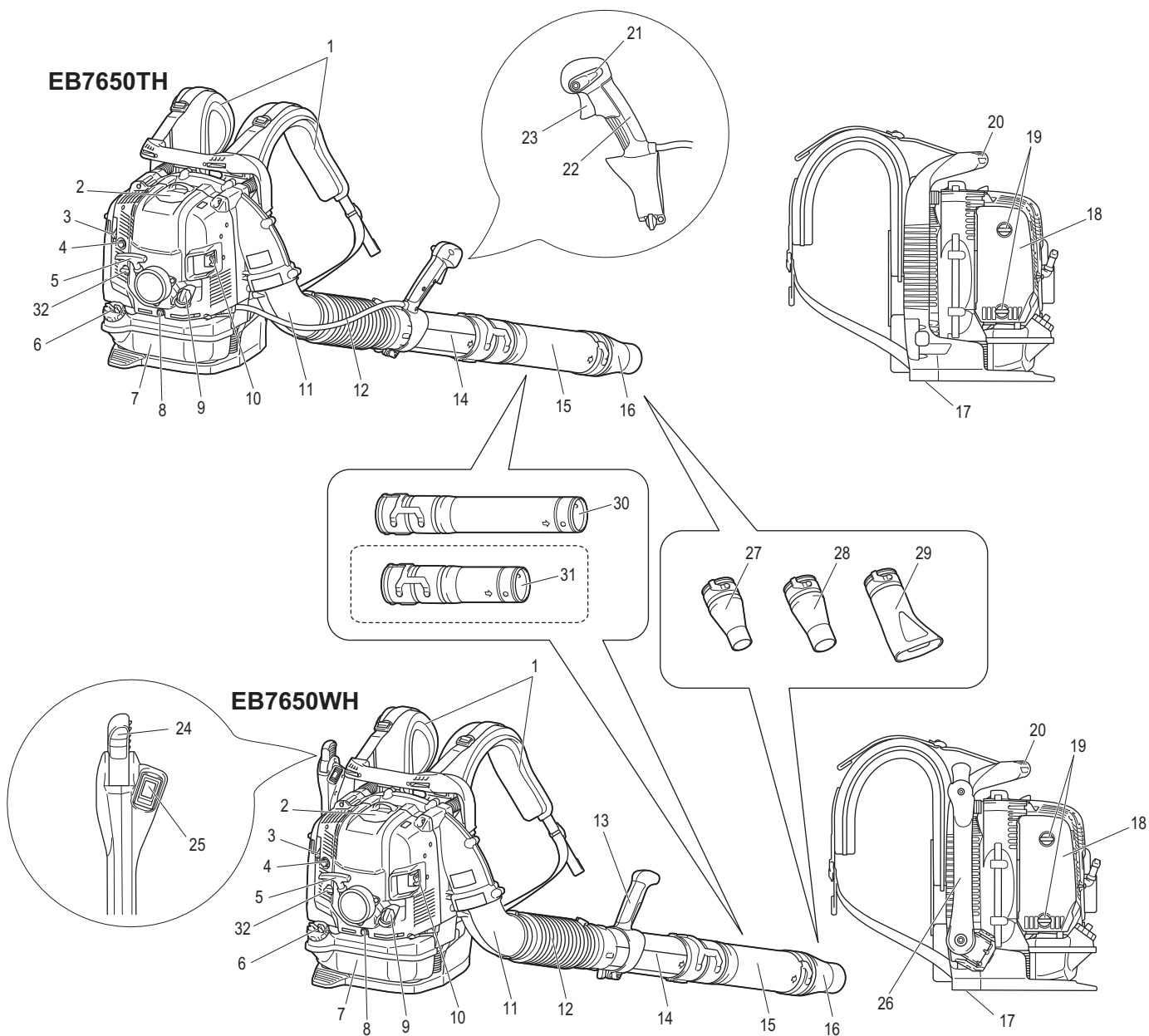
DATI TECNICI

Modello				EB7650TH	EB7650WH		
Tipo di comando gas				Comando gas su tubo	Comando gas su fianco		
Peso (tubo escluso)			(kg)	10,8	11,0		
Dimensioni (tubo escluso) (Lunghezza x Larghezza x Altezza)			(mm)	332 x 460 x 480	332 x 510 x 480		
Velocità aria	(con tubo lungo)	(con bocchetta velocità)		(m/s)	89		
		(con bocchetta volume)			81		
		(con bocchetta piatta)			86		
	(con tubo corto)	(con bocchetta velocità)			90		
		(con bocchetta volume)			81		
		(con bocchetta piatta)			87		
Velocità flusso volume aria	(con tubo lungo)	(con bocchetta velocità)		(m ³ /minuto)	17		
		(con bocchetta volume)			19		
		(con bocchetta piatta)			17		
	(con tubo corto)	(con bocchetta velocità)			17		
		(con bocchetta volume)			19		
		(con bocchetta piatta)			17		
Velocità massima motore (con bocchetta velocità)			(min ⁻¹)	7.100			
Minimo			(min ⁻¹)	2.800			
Cilindrata			(cm ³)	75,6			
Carburante				Benzina per automobili			
Capacità serbatoio carburante			(cm ³)	1.900			
Olio motore				SAE 10W-30, classe SF di gradi API o superiore (olio per automobili con motore a 4 tempi)			
Volume serbatoio olio motore			(cm ³)	220			
Carburatore				(tipo)	Membrana		
Candela di accensione				NGK CMR6A			
Distanza tra gli elettrodi			(mm)	0,7 – 0,8			
Vibrazioni conf. EN15503 2009	Impugnatura destra	$a_{hv\ eq}$	(con tubo lungo)	(con bocchetta velocità)	(m/s ²)	2,5	2,7
				(con bocchetta volume)		2,3	2,3
				(con bocchetta piatta)		4,1	4,8
			(con tubo corto)	(con bocchetta velocità)		3,1	2,7
				(con bocchetta volume)		2,8	2,3
				(con bocchetta piatta)		3,7	5,1
	Incertezza K					2,2	3,0
	Impugnatura sinistra (braccio di controllo)	$a_{hv\ eq}$	(con tubo lungo)	(con bocchetta velocità)		0,7	
				(con bocchetta volume)		0,7	
				(con bocchetta piatta)		0,9	
			(con tubo corto)	(con bocchetta velocità)		0,8	
				(con bocchetta volume)		0,7	
				(con bocchetta piatta)		0,9	
	Incertezza K					0,5	
	Livello medio di pressione sonora conf. EN15503: 2009			$L_{PA\ eq}$		dB(A)	100
				Incertezza K		dB(A)	1,5
	Livello medio di potenza sonora conf. EN15503: 2009			$L_{WA\ eq}$		dB(A)	110
				Incertezza K		dB(A)	1,0

Nota:

- Per il nostro continuo programma di ricerca e sviluppo, i dati tecnici specificati qui sono soggetti a cambiamenti senza avviso.
- I dati tecnici potrebbero differire da Paese a Paese.

NOME DELLE PARTI



1. Cinghia da spalla	9. Tappo olio	17. Retino di ingresso aria (sul fondo)	25. Interruttore di arresto
2. Coperchio candela di accensione	10. Marmitta	18. Coperchio filtro aria	26. Braccio di controllo
3. Leva valvola aria	11. Gomito	19. Bullone (coperchio filtro aria)	27. Bocchetta di velocità
4. Pompa di avviamento	12. Tubo flessibile	20. Manico di trasporto	28. Bocchetta di volume
5. Maniglia starter	13. Gruppo impugnatura	21. Leva di controllo arresto	29. Bocchetta piatta
6. Tappo serbatoio carburante	14. Snodo	22. Impugnatura di controllo	30. Tubo lungo
7. Serbatoio carburante	15. Tubo (lungo/corto)	23. Grilletto di comando gas	31. Tubo corto (accessorio opzionale)
8. Bullone di scarico olio	16. Bocchetta	24. Leva di comando gas	32. Leva antighiaccio

• Gli accessori standard potrebbero differire da Paese a Paese.

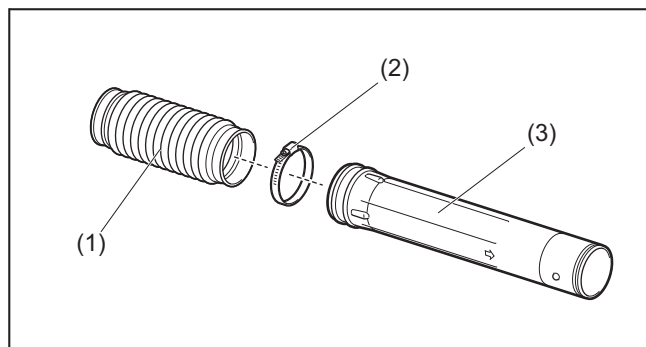
ISTRUZIONI PER IL MONTAGGIO

MONTAGGIO DEI TUBI SOFFIATORE

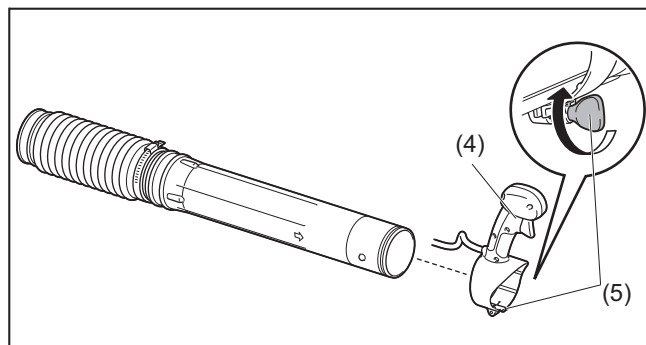
⚠ ATTENZIONE:

- Prima di un qualsiasi intervento sul soffiatore, spegnere sempre il motore e staccare i connettori della candela di accensione. Indossare sempre i guanti di protezione!
- Avviare il soffiatore soltanto dopo averne completato il montaggio.
- Indossare sempre i guanti di protezione!

1. Inserire lo snodo (3) nel tubo flessibile (1), e stringerli con la fascetta stringitubo (2).



2. Installare l'impugnatura di controllo/gruppo impugnatura (4) sullo snodo, e stringerli con la vite di fissaggio (5).



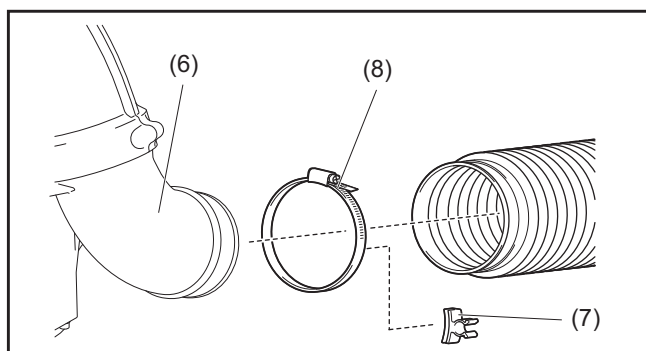
3. Modello con comando gas su tubo

Inserire il tubo flessibile nel gomito (6) del soffiatore.

Attaccare il fermacavo (7) tra la fascetta stringitubo (8) e il gomito.

Stringere il fermacavo, il tubo flessibile e il gomito con la fascetta stringitubo.

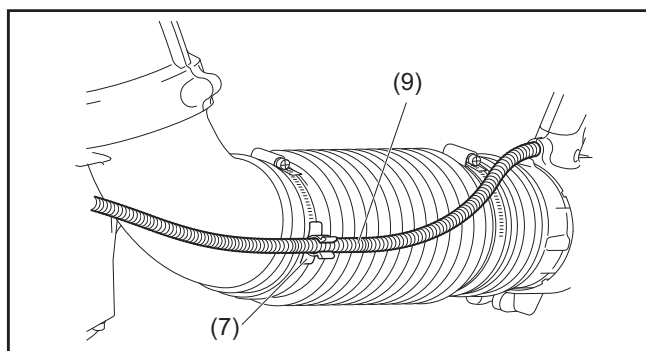
Sistemare il cavo di controllo (9) sul fermacavo (7).



Modello con comando gas su fianco

Inserire il tubo flessibile nel gomito (6) del soffiatore.

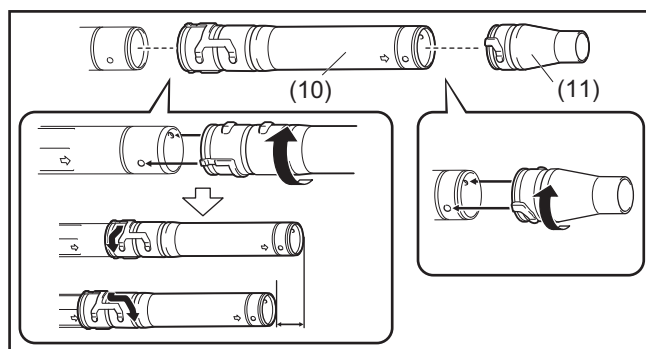
Stringere il tubo flessibile e il gomito con la fascetta stringitubo (8).



4. Attaccare il tubo lungo/corto (10) con lo snodo. Girare il tubo lungo/corto in senso orario per fissarlo in posizione.

Attaccare poi la bocchetta soffiatore (11) con il tubo lungo/corto. Girare la bocchetta soffiatore in senso orario per fissarla in posizione.

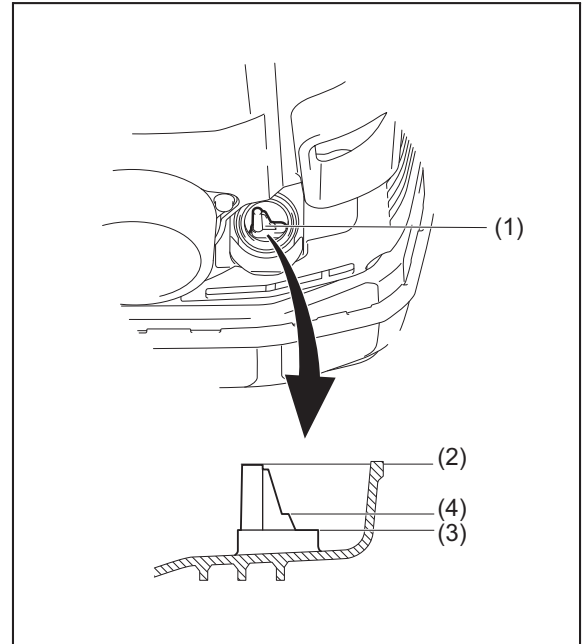
5. Accertarsi che tutte le fascette stringitubo siano strette saldamente.



PRIMA DI AVVIARE IL MOTORE

1. Controllo e rabbocco dell'olio motore

- 1) Procedere come segue quando il motore è freddo. In caso contrario, c'è pericolo di scottarsi.
 - **Ispezione:** Mettere il soffiatore su una superficie piana e rimuovere il tappo dell'olio. Controllare l'indicatore di livello olio (1). Accertarsi che il livello dell'olio sia tra i segni del limite superiore (2) e inferiore (3). Se l'olio non arriva fino al livello di 100 ml (4), rabboccare con olio fresco.
 - **Rabbocco dell'olio:** Mettere il soffiatore su una superficie piana e rimuovere il tappo dell'olio. Rabboccare l'olio fino al limite superiore dell'indicatore di livello olio.
- 2) In media, il rabbocco dell'olio è necessario dopo ogni 20 ore di uso (dopo 10 – 15 rifornimenti di carburante).
- 3) Cambiare l'olio ogni volta che diventa sporco o cambia visibilmente di colore. (Vedere **“Sostituzione dell'olio motore”** per la procedura e la frequenza di cambiamento dell'olio motore.)



Olio consigliato: Olio Makita genuino, oppure olio SAE10W-30, classe SF di gradi API o superiore (olio per automobili con motore a 4 tempi)
Capacità olio: 0,22 L (220 ml) circa

NOTA:

- Se il soffiatore non viene conservato in posizione verticale, l'olio potrebbe scorrere dall'indicatore di livello olio nel motore, e dare una falsa lettura quando si controlla il livello dell'olio. Ciò potrebbe causare una involontaria aggiunta di olio motore eccessiva quando si rabbocca l'olio. Conservare sempre il soffiatore in posizione verticale.
- Se c'è un eccesso dell'olio motore, l'olio potrebbe fuoriuscire dallo sfiato del filtro e sporcare le parti vicine, oppure potrebbe apparire del fumo bianco a causa dell'olio in eccesso che brucia.

Rimozione del tappo dell'olio

- Togliere la polvere e lo sporco intorno al foro di rabbocco olio, e rimuovere il tappo dell'olio.
- Fare attenzione che il tappo dell'olio staccato non si sporchi di sabbia o polvere. In caso contrario, la sabbia o la polvere attaccate al tappo dell'olio potrebbero causare una circolazione anormale dell'olio o l'usura delle parti del motore, e conseguenti problemi.

Dopo il rabbocco dell'olio

- Asciugare con uno straccio l'olio spanto.

2. Rifornimento di carburante

AVVERTIMENTO:

- Quando si fa rifornimento, osseverare le istruzioni seguenti per evitare un incendio o un incidente.
 - Il rifornimento di carburante deve essere fatto in un luogo dove non ci siano fuochi. Non si devono mai avvicinare fuochi (fumare, ecc.) al luogo di rifornimento.
 - Spegnerare il motore e lasciare che si raffreddi prima di fare rifornimento.
 - Fare il rifornimento su una superficie piana. Non fare rifornimento su un posto instabile o mal ventilato.
 - Fare il rifornimento dove la luce e la visibilità sono buone.
 - Fare il rifornimento in uno spazio ampio e aperto.
 - Aprire lentamente il tappo del serbatoio del carburante. Il carburante potrebbe fuoriuscire per la pressione interna.
 - Fare attenzione a non spandere il carburante. Il carburante spanto deve essere asciugato completamente.
 - Fare il rifornimento in un posto ben ventilato.
- Maneggiare con cura il carburante.
 - Se il carburante finisce sulla pelle o sugli occhi, potrebbe causare allergie o irritazioni. Rivolgersi immediatamente a un medico specialista in caso di anomalia nelle condizioni fisiche.
- NON versare olio nel serbatoio del carburante.

PERIODO DI CONSERVAZIONE DEL CARBURANTE

Il carburante deve essere usato entro un periodo di 4 settimane, anche se viene tenuto in uno speciale contenitore in un posto ben ventilato e all'ombra.

Il carburante potrebbe altrimenti deteriorarsi in un giorno.

Immagazzinaggio della macchina e del serbatoio del carburante

- Tenere la macchina e il serbatoio in un posto fresco lontano dalla luce diretta del sole.
- Il carburante non deve mai essere tenuto in una automobile.

CARBURANTE

Il motore è del tipo a quattro tempi. Accertarsi che il carburante usato sia una benzina per automobili (normale o super).

Riguardo al carburante

- Non si deve mai usare una miscela di benzina che contiene olio motore. Potrebbe altrimenti causare un accumulo eccessivo di residui carboniosi o problemi meccanici.
- L'uso di olio deteriorato causa un avviamento irregolare.

Prima di fare rifornimento, spegnere il motore e aspettare che si raffreddi.

METODO DI RIFORNIMENTO

- Svitare leggermente il tappo del serbatoio per rilasciare la pressione.
- Staccare il tappo del serbatoio e fare rifornimento scaricando l'aria inclinando il serbatoio in modo che il foro di rifornimento sia rivolto in alto. NON aggiungere carburante fino a riempire completamente il serbatoio.
- Dopo il rifornimento, stringere saldamente il tappo del serbatoio.
- Se il tappo del serbatoio è difettoso o danneggiato, deve essere sostituito.
- Il tappo del serbatoio si usura con il tempo. Sostituirlo ogni due o tre anni.
- NON versare carburante nel foro di rabbocco olio.

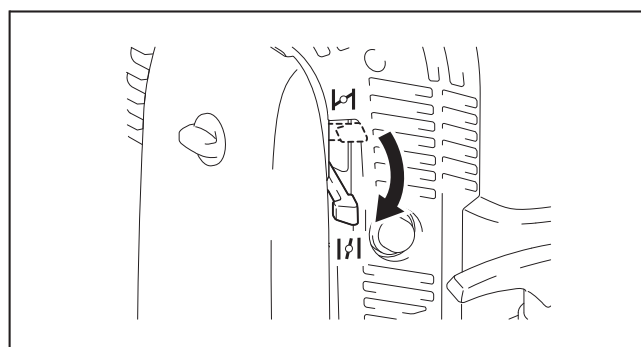
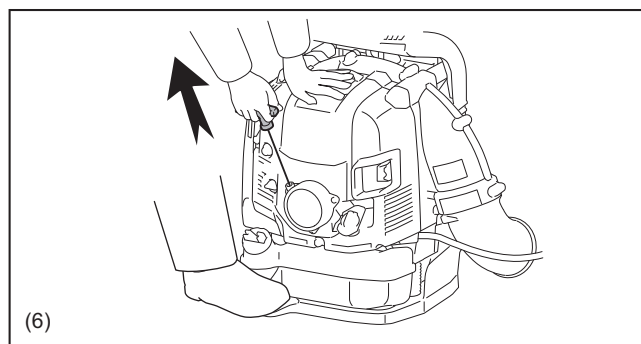
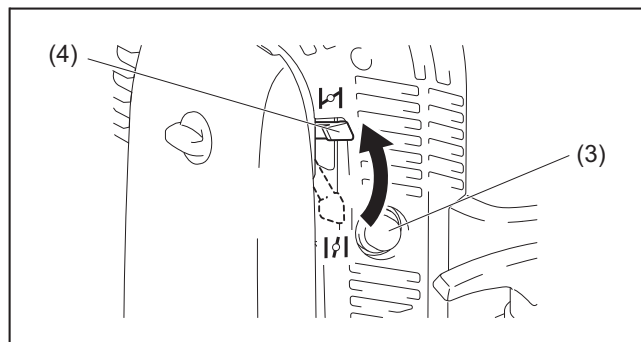
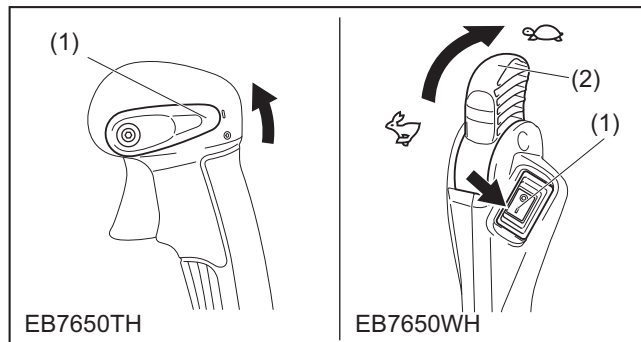
1. Avviamento

⚠ AVVERTIMENTO:

- Il motore non deve mai essere avviato dove si è fatto il rifornimento di carburante.
 - C'è pericolo d'incendio. Per avviare il motore, allontanarsi di almeno 3 metri.
- Il gas di scarico del motore è tossico. Non far girare il motore in un luogo insufficientemente ventilato, come in un tunnel, all'interno di un edificio, ecc.
 - Il motore che gira in un luogo insufficientemente ventilato potrebbe causare un avvelenamento da gas di scarico.
- Se dopo l'avviamento si nota un suono, odore o vibrazione anormale, spegnere immediatamente il motore e procedere a una ispezione.
 - Se si continua a far girare il motore in tale condizione anormale, si potrebbe verificare un incidente.
- Non toccare il coperchio del motore quando è caldo. In caso contrario, c'è pericolo di scottarsi.
- Accertarsi che non ci siano perdite di carburante prima di avviare il motore.
- Accertarsi che il motore si arresti quando si posiziona l'interruttore di arresto su "O".

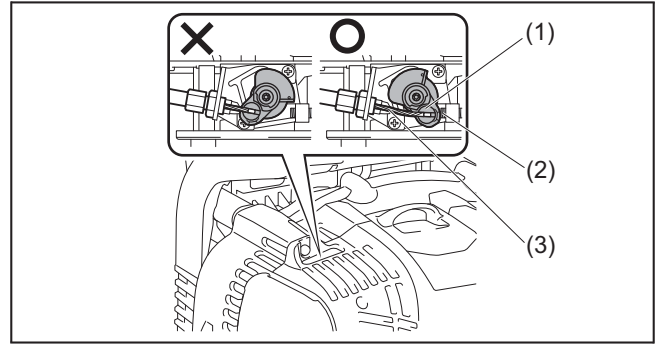
1) Quando il motore è freddo o dopo il rifornimento (avviamento a freddo)

- (1) Mettere il soffiatore su una superficie piana.
- (2) Modello con comando gas su tubo
Posizionare la leva di controllo arresto (1) su "I".
- (2) Modello con comando gas su fianco
Posizionare l'interruttore di arresto (1) su "I".
Accertarsi che la leva di comando gas (2) sia sulla posizione della bassa velocità.
- (3) Continuare a spingere la pompa di avviamento (3) finché il carburante vi entra dentro.
 - Il carburante entra generalmente nel carburatore dopo 7 o 10 spinte.
 - Se si spinge eccessivamente la pompa di avviamento, il carburante in eccesso torna nel serbatoio.
- (4) Sollevare la leva della valvola aria (4) sulla posizione di chiusura.
- (5) Schiacciare il pedale con il piede destro, e tenere la parte superiore del coperchio dell'unità con la mano sinistra, per evitare che il motore si muova.
- (6) Tirare fuori lentamente la maniglia dello starter finché si avverte la compressione.
Tirlarla poi con forza.
 - Non si deve mai tirare fuori completamente il cavo.
 - Rimettere delicatamente la maniglia dello starter nel suo alloggiamento. Altrimenti, la maniglia dello starter lasciata andare potrebbe urtare il corpo dell'operatore o non riavvolgersi correttamente.
- (7) Quando il motore parte, abbassare la leva della valvola aria sulla posizione di apertura.
 - Aprire completamente la leva della valvola aria per controllare il funzionamento del motore.
 - La leva della valvola aria non deve mai essere aperta bruscamente quando fa freddo o quando il motore non è sufficientemente caldo. Il motore potrebbe fermarsi.
- (8) Continuare l'operazione di riscaldamento per 2 o 3 minuti.
- (9) Il riscaldamento è completato quando si nota la veloce accelerazione del motore dai bassi giri fino a tutto gas.



NOTA:

- Se si sposta ulteriormente la leva della valvola aria oltre la posizione "CLOSE" si potrebbe danneggiare il motore.
- Se il motore si accende e si arresta, rimettere questa leva sulla posizione "OPEN" e tirare diverse volte la maniglia dello starter per riavviare il motore.
- Se l'operatore continua a tirare diverse volte la maniglia dello starter con la leva della valvola aria sulla posizione "CLOSE", il motore potrebbe faticare a partire a causa di un ingolfamento del carburante.
- In caso di ingolfamento del carburante, rimuovere la candela di accensione e tirare diverse volte rapidamente la maniglia per scaricare l'eccesso di carburante. Asciugare gli elettrodi della candela di accensione.
- Se la valvola a farfalla (1) non torna sulla posizione di contatto con la vite di regolazione minimo (2) anche se la leva di comando gas è regolata per la bassa velocità, correggere lo stato di presa del cavo di controllo (3) per assicurare il ritorno corretto della valvola.



2) Quando il motore è caldo (avviamento a caldo)

- (1) Mettere il motore su una superficie piana.
- (2) Spingere diverse volte la pompa di avviamento.
- (3) Accertarsi che la leva della valvola aria sia aperta.
- (4) Schiacciare il pedale con il piede destro, e tenere la parte superiore del motore con la mano sinistra per evitare che esso si muova.
- (5) Tirare lentamente la maniglia dello starter finché si avverte la compressione. Tirarla poi con forza.
- (6) Se il motore stenta a partire, aprire la valvola a farfalla di circa 1/3.

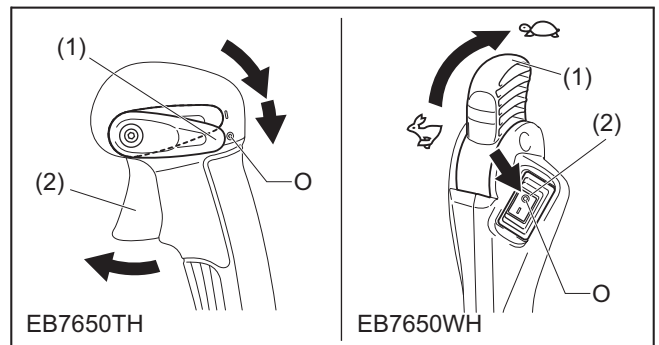
2. Arresto

Modello con comando gas su tubo

Rilasciare il grilletto di comando gas (2) e posizionare poi la leva di controllo arresto (1) su "O".

Modello con comando gas su fianco

Regolare la leva di comando gas (1) sulla posizione della bassa velocità per ridurre i giri del motore. Posizionare poi l'interruttore di arresto (2) su "O".



REGOLAZIONE DEL MINIMO

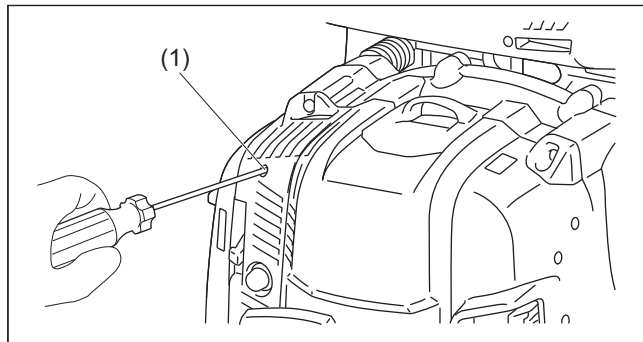
⚠ ATTENZIONE:

- Il carburatore è stato regolato in fabbrica. Non eseguire alcuna regolazione diversa da quella del minimo. Per le altre regolazioni, rivolgersi a un Servizio di Assistenza Makita autorizzato.

Controllo della rotazione a bassa velocità

Regolare la rotazione a bassa velocità a 2.800 giri/minuto.

- Se è necessario cambiare la velocità di rotazione, regolare la vite di regolazione minimo (1) con un cacciavite a croce.
- Girando la vite di regolazione a destra si aumentano i giri del motore. Girando la vite a sinistra si riducono i giri del motore.



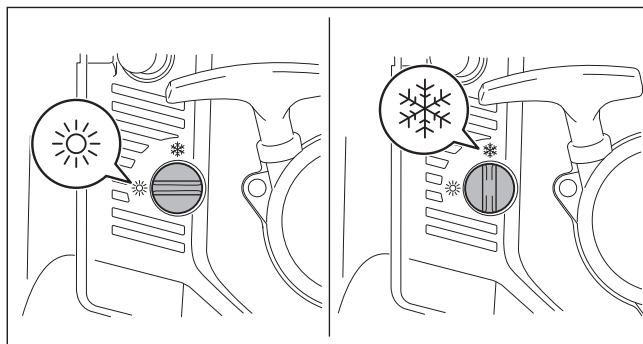
PREVENZIONE DEL CONGELAMENTO DEL CARBURATORE

⚠ ATTENZIONE:

- Quando la temperatura ambiente è sopra i 10°C, rimettere sempre la leva sulla posizione normale (segno del sole). In caso contrario, si potrebbe danneggiare il motore surriscaldandolo.

Quando la temperatura ambiente è bassa e l'umidità alta, il vapore acqueo potrebbe ghiacciarsi dentro il carburatore e il motore girare irregolarmente (congelamento del carburatore). Se necessario, cambiare l'impostazione della leva antighiaccio come segue.

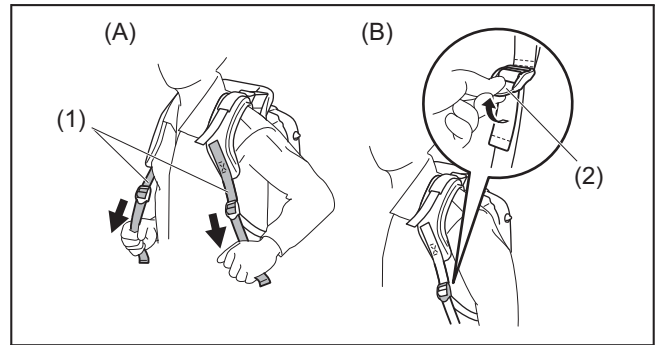
- Temperatura ambiente sopra i 10°C: Girare la leva sulla posizione normale (segno del sole).
- Temperatura ambiente uguale o inferiore ai 10°C: Girare la leva sulla posizione di anticongelamento (segno di neve).



MODO DI UTILIZZO

1. Regolazione della cinghia da spalla

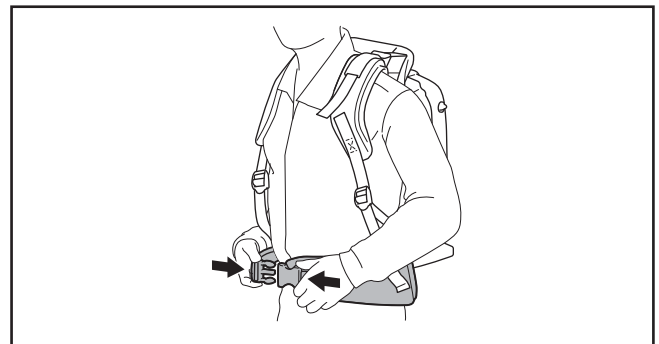
Regolare la lunghezza della cinghia da spalla (1) in modo da poter lavorare confortevolmente trasportando il soffiatore. Per fissare (A) la cinghia, tirare in giù l'estremità della cinghia. Per allentare (B) la cinghia, tirare in su l'estremità della fibbia (2).



Tirare la cinghia di stabilizzazione (3) finché non rimane più spazio tra la schiena e l'alloggiamento del soffiatore. Per fissare (C) la cinghia, tirare in giù l'estremità della cinghia. Per allentare (D) la cinghia, tirare in su l'estremità della fibbia (4).



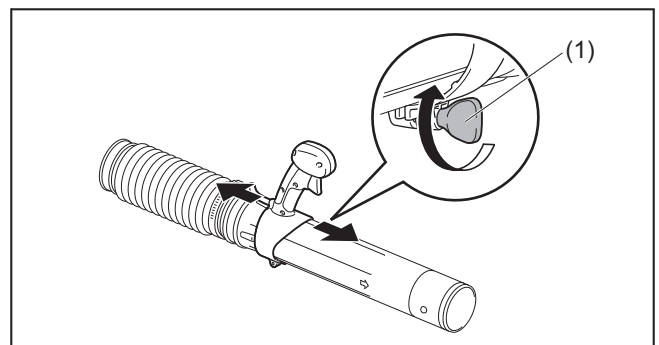
La cinghia per fianco (accessorio opzionale) permette all'operatore di trasportare più stabilmente l'utensile.



2. Regolazione della leva di controllo

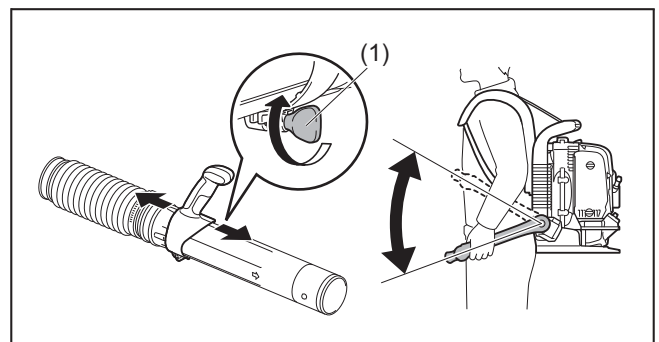
Modello con comando gas su tubo

Spostare l'impugnatura di controllo lungo il tubo dello snodo nella posizione più comoda. Stringere poi l'impugnatura di controllo con la vite (1).



Modello con comando gas su fianco

Spostare l'impugnatura di controllo lungo lo snodo sulla posizione più comoda. Fissare poi l'impugnatura con la vite (1).
Regolare l'angolo del braccio di controllo per poter lavorare comodamente.



3. Utilizzo del soffiatore

- 1) Mentre il soffiatore sta funzionando, regolare il grilletto di comando gas/leva di comando gas in modo che la forza del vento sia appropriata al posto e alle condizioni di lavoro.
- 2) Regolazione della velocità del motore.

Modello con comando gas su tubo

La velocità del motore si aumenta schiacciando il grilletto di comando gas (1). Per ridurre la velocità del motore, allentare la presa sul grilletto di comando gas.

Regolazione della velocità del motore con la funzione di controllo crociera:

La funzione di controllo crociera permette all'operatore di mantenere una velocità costante del motore senza usare il grilletto di comando gas.

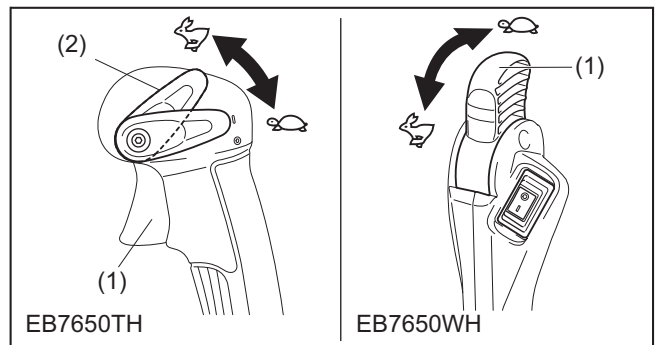
Per aumentare la velocità del motore, girare la leva di controllo arresto (2) sull'alta velocità.

Per ridurre la velocità del motore, girare la leva di controllo arresto sulla bassa velocità.

Modello con comando gas su fianco

Per aumentare la velocità del motore, girare la leva di comando gas (1) sull'alta velocità.

Per ridurre la velocità del motore, girare la leva di comando gas sulla bassa velocità.



TRASPORTO E IMMAGAZZINAGGIO DEL SOFFIATORE

⚠ ATTENZIONE:

- Prima di trasportare il soffiatore, accertarsi che sia spento.

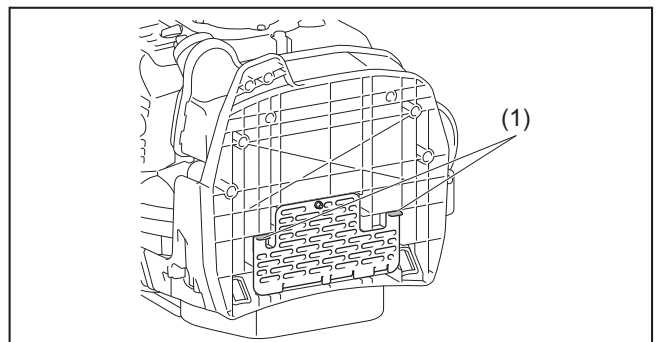
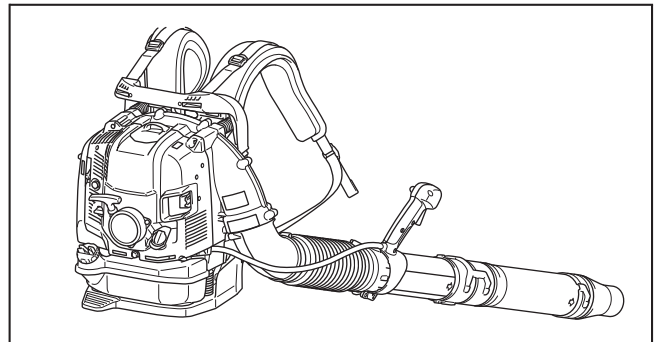
Non sedersi o montare sul soffiatore, e non mettervi sopra oggetti pesanti. Ciò potrebbe danneggiarlo.

Mantenere il soffiatore in posizione verticale ogni volta che lo si trasporta o lo si ripone.

Se si trasporta o si ripone il soffiatore in una posizione diversa da quella verticale, si potrebbe causare una perdita d'olio all'interno del motore. Ciò potrebbe causare perdite d'olio e fumo bianco dall'olio che brucia, e il filtro dell'aria potrebbe sporcarsi d'olio.

Non trascinare il soffiatore quando lo si trasporta. In caso contrario, si potrebbe danneggiare l'alloggiamento del soffiatore o il retino di ingresso aria, ciò che potrebbe causare ruggine.

* Sul retino di ingresso aria ci sono contatti di messa a terra (1), che scaricano l'elettricità statica nel suolo.



ISPEZIONE E MANUTENZIONE

⚠ ATTENZIONE:

- Prima di eseguire l'ispezione e la manutenzione, spegnere il motore e lasciarlo raffreddare. Rimuovere la candela di accensione e il cappello della candela.
 - In caso contrario, c'è pericolo di ustioni o di un serio incidente a causa dell'avviamento accidentale del motore.
- Dopo l'ispezione e la manutenzione, accertarsi di aver rimontato tutte le parti. Procedere poi con l'operazione desiderata.

1. Sostituzione dell'olio motore

L'olio motore deteriorato riduce notevolmente la vita di servizio delle parti scorrevoli e rotanti. Verificare gli intervalli di sostituzione e la quantità da sostituire.

⚠ ATTENZIONE:

- L'unità principale del motore e l'olio motore sono molto caldi subito dopo l'arresto del motore. Prima della sostituzione dell'olio, accertarsi che l'unità principale del motore e l'olio motore si siano raffreddati sufficientemente. C'è altrimenti il rischio di ustioni. Dopo l'arresto del motore, lasciare un tempo sufficiente per il ritorno dell'olio nel serbatoio dell'olio, in modo da ottenere una lettura precisa dell'indicatore di livello olio.
- Se si rabocca l'olio oltre il limite, esso potrebbe diventare sporco o prendere fuoco emettendo fumo bianco.

Intervallo di sostituzione: Dopo le prime 20 ore lavorative, seguite da ogni 50 ore lavorative

Olio consigliato: SAE10W-30, classe SF di gradi API o superiore (olio per automobili con motore a 4 tempi)

Procedura di sostituzione dell'olio

Per la sostituzione dell'olio procedere come segue:

- (1) Mettere giù il soffiatore su una superficie piana.
- (2) Mettere un recipiente per l'olio di scarto sotto il foro di scarico (1) per raccogliere l'olio che fuoriesce. Per poter raccogliere tutto l'olio, il recipiente deve avere una capacità di almeno 220 ml.
- (3) Svitare il bullone di scarico olio (2) per far uscire l'olio. Fare attenzione che l'olio non si sparga sul serbatoio del carburante o su altre parti.

⚠ ATTENZIONE:

- Fare attenzione a non perdere la guarnizione (rondella in alluminio) (3). Mettere il bullone di scarico (2) in un posto dove non si sporchi.

- (4) Togliere il tappo dell'olio (4). (Rimuovendo il tappo l'olio (4) fuoriesce più facilmente.)

⚠ ATTENZIONE:

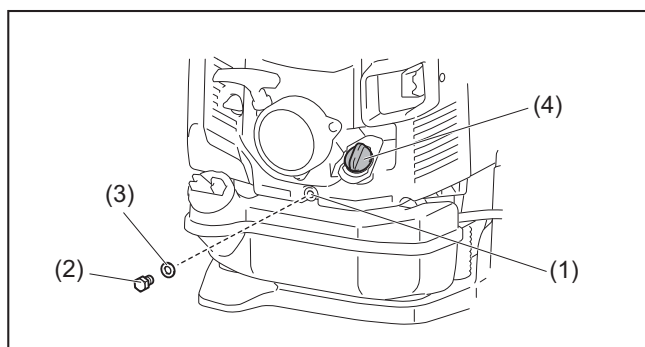
- Mettere il tappo dell'olio (4) in un posto dove non si sporchi.

- (5) Man mano che l'olio si scarica, inclinare il soffiatore sul lato di scarico in modo che l'olio fuoriesca tutto.
- (6) Dopo che l'olio è stato scaricato completamente, stringere saldamente il bullone di scarico olio (2). Se non si stringe saldamente il bullone, si potrebbe verificare una perdita d'olio.

⚠ ATTENZIONE:

- Non dimenticare di rimettere a posto la guarnizione (rondella in alluminio) (3) quando si riattacca il bullone di scarico.

- (7) L'aggiunta d'olio durante la procedura di sostituzione dell'olio si esegue allo stesso modo come descritto separatamente per il rabbocco dell'olio ogni volta che l'olio è insufficiente. Aggiungere sempre l'olio dall'apertura sotto il tappo dell'olio.
(Livello olio specificato: 220 ml circa)
- (8) Dopo aver riempito d'olio, stringere saldamente il tappo dell'olio (4) per evitare perdite.



Note sulla sostituzione dell'olio motore

- Non si deve mai gettare l'olio motore nella spazzatura, sul terreno o nelle fognature. Lo smaltimento dell'olio è regolato da norme di legge. Per lo smaltimento, rispettare sempre le leggi e norme pertinenti. Per qualsiasi dubbio al riguardo, rivolgersi a un Servizio di Assistenza autorizzato.
- L'olio si deteriora anche se rimane inutilizzato. Eseguire l'ispezione e la sostituzione a intervalli regolari (sostituire con olio nuovo ogni 6 mesi).

2. Pulizia del filtro dell'aria



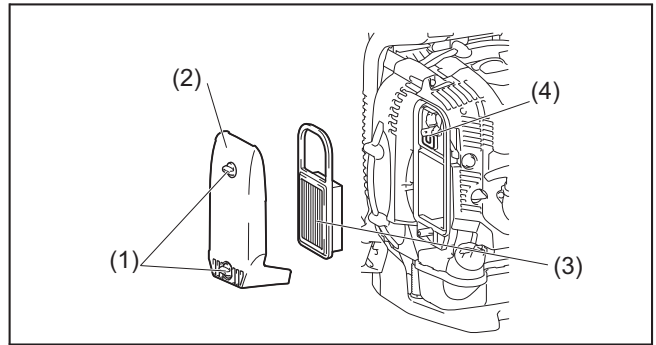
AVVERTIMENTO: È SEVERAMENTE VIETATO USARE SOSTANZE INFIAMMABILI

Intervallo di pulizia e di ispezione: Giornaliero (dopo ogni 10 ore lavorative)

- (1) Allentare i bulloni (1).
- (2) Rimuovere il coperchio del filtro dell'aria (2).
- (3) Rimuovere l'elemento (3) e togliere tutto lo sporco dall'elemento con una spazzola.

Nota:

- L'elemento è del tipo a secco, per cui non deve bagnarsi. Mai lavarlo con acqua.
- (4) Sostituire l'elemento con uno nuovo se è danneggiato o molto sporco.
 - (5) Asciugare ogni traccia d'olio che sia venuta a contatto con lo sfiatatoio (4) usando uno straccio o panno.
 - (6) Installare l'elemento nella scatola del filtro dell'aria.
 - (7) Attaccare il coperchio del filtro dell'aria e stringere il bullone con manopola.



AVVISO:

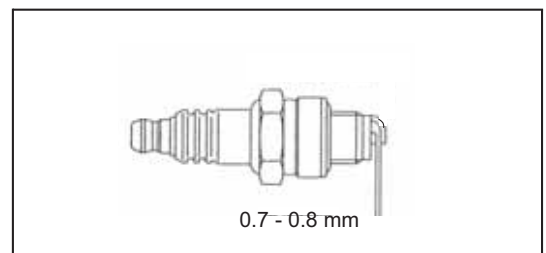
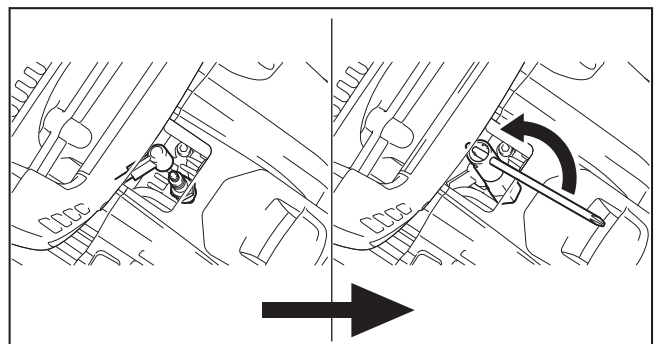
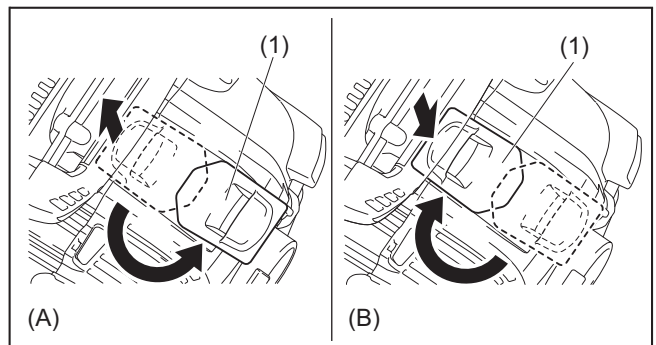
- Pulire l'elemento diverse volte al giorno se vi si aderisce polvere eccessiva.
- Se si continua a usare il soffiatore con l'elemento sporco d'olio, l'olio nel filtro dell'aria potrebbe fuoriuscire inquinando.

3. Controllo della candela di accensione

⚠ ATTENZIONE:

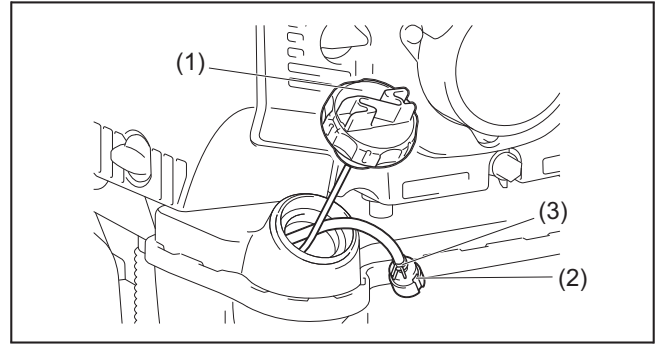
- Non toccare la candela di accensione mentre il motore sta funzionando. Si potrebbe altrimenti ricevere una scossa.
- Posizionare la leva di controllo arresto/interruttore di arresto sulla posizione OFF "O".
- Controllare regolarmente il cavo della candela. Sostituirlo se è danneggiato o lacerato. Si potrebbe altrimenti ricevere una scossa.
- Prima di rimuovere la candela di accensione, pulire la candela e la testata del cilindro in modo che nel cilindro non entri sporco o sabbia.
- Per evitare di danneggiare il foro filettato del cilindro, rimuovere la candela dopo che il motore si è raffreddato.
- Installare correttamente la candela di accensione nel foro filettato. Installandola storta si danneggia il foro filettato del cilindro.

- (1) Apertura/chiusura del coperchio della candela di accensione
Per aprire (A) il coperchio della candela di accensione (1), sollevarlo e fargli fare un mezzo giro. Per chiudere (B) il coperchio della candela, fargli fare un mezzo giro e premerlo intorno alla parte dentellata.
- (2) Rimozione della candela di accensione
Per rimuovere o installare la candela, usare la chiave a tubo in dotazione.
- (3) Controllo della candela di accensione
Il gioco tra gli elettrodi della candela è di 0,7 – 0,8 mm. Regolare il gioco corretto se è troppo ampio o troppo stretto. Pulire completamente o sostituire la candela di accensione se ci sono incrostazioni di carbone o se è contaminata.
- (4) Sostituzione della candela di accensione
Per la sostituzione usare una candela NGK-CMR6A.



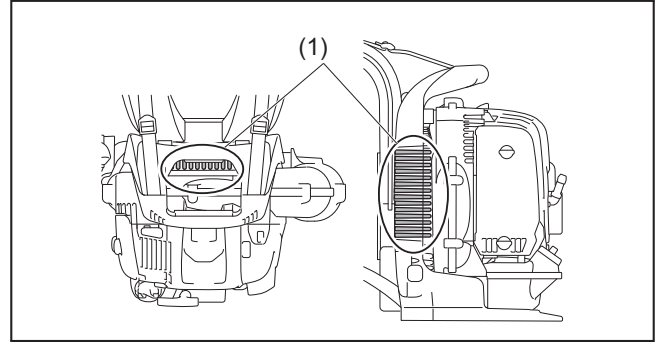
4. Pulizia del filtro del carburante

- L'intasamento del filtro del carburante potrebbe causare difficoltà di avviamento o il mancato aumento della velocità del motore.
- Controllare regolarmente il filtro del carburante come segue:
 - (1) Rimuovere il tappo del serbatoio del carburante (1) e scaricare il carburante fino a svuotare il serbatoio. Controllare che all'interno del serbatoio non ci siano sostanze estranee. Se ci sono, toglierle completamente.
 - (2) Tirare fuori con un fil di ferro il filtro del carburante (2) dal foro di rabbocco olio.
 - (3) Se la superficie del filtro del carburante è sporca, pulirla con benzina. Per disfarsi della benzina usata per la pulizia bisogna seguire le norme specificate dalle autorità locali. Il filtro va sostituito se è eccessivamente sporco.
 - (4) Dopo il controllo, la pulizia o la sostituzione, inserire il filtro del carburante nel tubo del carburante e fissarlo con la fascetta stringitubo (3). Rimettere il filtro del carburante nel serbatoio del carburante e stringere saldamente il tappo del serbatoio.
- Accertarsi che il serbatoio del carburante non sia danneggiato.



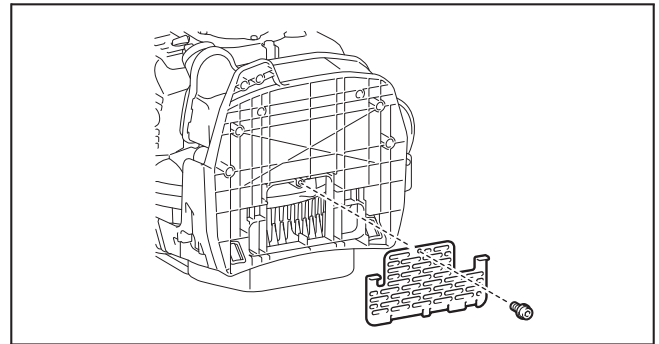
5. Ispezione dei bulloni, dadi e viti

- Stringere di nuovo i bulloni, dadi, viti, ecc., allentati.
- Controllare che non ci siano perdite di carburante e olio.
- Per un funzionamento sicuro, sostituire le parti danneggiate con altre nuove.



6. Pulitura delle parti

- Mantenere pulito il motore usando uno straccio.
- Mantenere pulite le alette del cilindro. La polvere o lo sporco sulle alette causa il grippaggio.
- L'aria soffiata viene aspirata dall'apertura di ingresso aria e dal retino di ingresso aria (1). Se il flusso d'aria diminuisce durante un lavoro, spegnere il motore e controllare se l'apertura di ingresso aria e il retino di ingresso aria sono intasati. Pulirli se necessario.
- Controllare il retino di ingresso aria sul fondo. Togliere la vite e il retino di ingresso aria. Controllare se c'è un intasamento. Pulirli se necessario.
- Tale intasamento potrebbe causare un surriscaldamento e danneggiare il motore.



⚠ AVVERTIMENTO:

- Il soffiatore non deve mai essere usato senza il suo retino. Controllare ogni volta che il retino sia attaccato in posizione e che non sia danneggiato prima di cominciare a lavorare.

7. Sostituzione delle guarnizioni

Sostituire le guarnizioni se si è smontato il motore.

Qualsiasi lavoro di manutenzione o regolazione non descritto in questo manuale deve essere eseguito soltanto da un Servizio di Assistenza autorizzato.

IMMAGAZZINAGGIO

⚠ AVVERTIMENTO:

- Prima di scaricare il carburante, spegnere il motore e aspettare che si raffreddi.
 - In caso contrario, c'è pericolo di ustioni o incendio.

⚠ ATTENZIONE:

- Prima di immagazzinare la macchina per un lungo periodo di tempo, scaricare tutto il carburante dal serbatoio del carburatore e dal carburatore e tenerlo in un posto asciutto e pulito.

Scaricare il carburante dal serbatoio del carburante e dal carburatore nel modo seguente:

- (1) Rimuovere il tappo del serbatoio del carburante e scaricare completamente il carburante. Rimuovere completamente qualsiasi sostanza estranea rimasta nel serbatoio del carburante.
- (2) Tirare fuori con un fil di ferro il filtro del carburante dal foro di rifornimento.
- (3) Spingere la pompa di avviamento fino a vuotarla, e scaricare il carburante che entra nel serbatoio del carburante.
- (4) Rimettere il filtro nel serbatoio del carburante, e stringere saldamente il tappo del serbatoio del carburante.
- (5) Continuare poi a far girare il motore finché si arresta.
- (6) Rimuovere la candela di accensione e versare diverse gocce di olio motore nel foro della candela.
- (7) Tirare delicatamente la maniglia dello starter in modo che l'olio si distribuisca nel motore, e riattaccare la candela di accensione.
- (8) Tenere la macchina con la sua impugnatura in alto.
- (9) Tenere il carburante scaricato in uno speciale contenitore in un posto ben ventilato.

Posizione dei guasti

Difetto	Sistema	Osservazione	Causa
Il motore non parte o ha difficoltà a partire	Sistema di accensione	Candela di accensione OK	Difetto di alimentazione del carburante o del sistema di compressione, difetto meccanico
	Rifornimento di carburante	Non c'è la candela di accensione	Si è azionato l'interruttore di arresto, difetto di allacciamento elettrico o cortocircuito, candela di accensione o connettore difettosi, modulo di accensione guasto
	Compressione	Serbatoio pieno	Posizione errata della valvola aria, carburatore difettoso, linea di alimentazione carburante storta o intasata, carburante sporco.
	Difetto meccanico	Non c'è compressione quando si tira completamente	Guarnizione fondo cilindro difettosa, guarnizioni albero a gomito danneggiate, anelli cilindro o pistone difettosi o difetto di tenuta della candela di accensione
Problemi di avviamento a caldo		Lo starter non avvia il motore	Molla dello starter rotta, parti rotte all'interno del motore
Il motore parte ma si arresta	Rifornimento di carburante	Serbatoio pieno di scintille di accensione	Carburatore contaminato, farlo controllare
		Serbatoio pieno	Regolazione del minimo sbagliata, carburatore contaminato
Prestazioni insufficienti	Potrebbero essere coinvolti allo stesso tempo diversi sistemi	Minimo del motore scadente	Apertura di ventilazione serbatoio carburante difettosa, linea di alimentazione carburante interrotta, cavo o interruttore di arresto difettosi Filtro aria sporco, carburatore contaminato, marmitta intasata, condotto di scarico nel cilindro intasato

Voce	Tempo di utilizzo								Pagina corrispondente
		Prima dell'utilizzo	Dopo la lubrificazione	Quotidiano (10 ore)	30 ore	50 ore	200 ore	Spegnimento/pausa	
Olio motore	Controllare/pulire	○							70
	Sostituire					○ ^{*1}			77
Pezzi da serrare (bulloni, dadi)	Controllare	○							79
Serbatoio carburante	Pulire/controllare	○							—
	Scaricare il carburante						○ ^{*3}		79
Grilletto di comando gas/leva di comando gas	Controllare il funzionamento		○						—
Leva di controllo arresto/interruttore di arresto	Controllare il funzionamento		○						73
Rotazione a bassa velocità	Controllare/regolare			○					74
Filtro aria	Pulire			○					78
Candela di accensione/cavo candela	Controllare			○					78
Condotto aria di raffreddamento	Pulire/controllare			○					79
Tubo del carburante	Controllare			○					79
	Sostituire						◎ ^{*2}		—
Filtro del carburante	Pulire/sostituire					○			79
Gioco tra valvola di ingresso aria e valvola di scarico aria	Regolare						◎ ^{*2}		—
Tubo dell'olio	Controllare						◎ ^{*2}		—
Revisione del motore							◎ ^{*2}		—
Carburatore	Scaricare il carburante						○ ^{*3}		79

*1 Eseguire la sostituzione iniziale dopo 20 ore lavorative.

*2 Per l'ispezione dopo 200 ore lavorative, rivolgersi a un Servizio di Assistenza autorizzato o a una officina.

*3 Dopo aver vuotato il serbatoio del carburante, continuare a far girare il motore e scaricare il carburante dal carburatore.

CORREZIONE DEI PROBLEMI

Prima di richiedere l'assistenza, controllare personalmente il problema. Se si riscontra qualcosa di anormale, controllare la macchina come descritto in questo manuale. Non si deve mai manomettere o smontare una qualsiasi parte in modo diverso dalla descrizione. Per le riparazioni, rivolgersi a un Servizio di Assistenza autorizzato o al concessionario locale.

Stato anormale	Causa probabile (malfunzionamento)	Rimedio
Il motore non parte	La pompa di avviamento non è stata azionata	Spingerla da 7 a 10 volte.
	Cavo dello starter tirato lentamente	Tirarlo con più forza.
	Mancanza di carburante	Fare rifornimento.
	Filtro del carburante intasato	Pulire
	Tubo del carburante storto	Raddrizzare il tubo del carburante
	Carburante contaminato	La contaminazione del carburante rende l'avviamento più difficile. Sostituire con quello nuovo. (Sostituzione consigliata: 1 mese)
	Aspirazione eccessiva del carburante	Regolare la leva di comando gas dalla media all'alta velocità, e tirare la maniglia dello starter fino all'avviamento del motore. Se il motore continua a non partire, rimuovere la candela di accensione, asciugare gli elettrodi e rimontarla. Avviare poi il motore secondo le istruzioni.
	Il cappello della candela di accensione è staccato	Attaccarlo saldamente
	Candela di accensione sporca	Pulire
	Distanza anormale elettrodi candela di accensione	Regolare la distanza
	Altra anomalia della candela di accensione	Sostituire
	Carburatore anormale	Richiedere l'ispezione e la manutenzione.
	La maniglia dello starter non può essere tirata	Richiedere l'ispezione e la manutenzione.
Sistema di trasmissione anormale	Richiedere l'ispezione e la manutenzione.	
Il motore si arresta subito La velocità del motore non aumenta	Riscaldamento insufficiente	Fare il riscaldamento
	La leva della valvola aria è posizionata su "CLOSE" anche se il motore è caldo	Posizionare su "OPEN"
	Filtro del carburante intasato	Pulire
	Filtro dell'aria sporco o intasato	Pulire
	Carburatore anormale	Richiedere l'ispezione e la manutenzione.
	Sistema di trasmissione anormale	Richiedere l'ispezione e la manutenzione.
	Cavo di comando gas staccato	Attaccarlo saldamente
Il motore non si arresta. ↓ Far girare il motore al minimo e posizionare la leva della valvola aria su "CLOSE".	Connettore staccato	Attaccarlo saldamente
	Sistema elettrico anormale	Richiedere l'ispezione e la manutenzione.

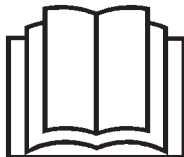
Se il motore non parte dopo l'operazione di riscaldamento:

Se non c'è niente di anormale in quanto controllato, aprire la valvola a farfalla di circa 1/3 e avviare il motore.

Hartelijk dank voor uw keuze van deze Makita bladblazer. Wij zijn ervan overtuigd dat de Makita bladblazer u zal bevallen, daar deze het resultaat is van een jarenlang ontwikkelingsprogramma op basis van onze brede kennis en ervaring.

Deze modellen bladblazers combineren de voordelen van de laatste technische vindingen met uitgekiend ergonomisch design. Ze zijn licht in gewicht, handig, compact en staan voor professionele inzet in tal van verschillende werkzaamheden.

Lees, begrijp en volg de instructies in deze handleiding, om tot in de details volledig gebruik te maken van de prima prestaties die deze machine biedt. Dit garandeert u een optimaal veilige en doeltreffende werking van uw Makita bladblazer.



Inhoudsopgave

	Pagina
Symbolen.....	82
Veiligheidsvoorschriften.....	83
EU-verklaring van conformiteit	86
Technische gegevens.....	87
Benaming van de onderdelen.....	88
Opbouw instructies.....	89
Voor u de motor gaat starten.....	90
Bediening.....	92
Stationairloop afstellen.....	94
Ijsafzetting in de carburateur voorkomen	94
Bedieningsmethode.....	95
Inspectie en onderhoud.....	97
Opslag apparatuur.....	99
Storingen verhelpen	101

SYMBOLLEN

Het is erg belangrijk dat u de volgende symbolen herkent en begrijpt wanneer u deze gebruiksaanwijzing doorleest.

	WAARSCHUWING/GEVAAR		Laat omstanders niet dichtbij komen
	Lees, begrijp en volg de gebruiksaanwijzing		Brandstof (benzine)
	Verboden		Handmatige motorstart
	Niet roken		Noodstop
	Geen open vuur		Eerste hulp
	Draag beschermende handschoenen		AAN/START
	Houd uw werkomgeving vrij van personen en dieren		UIT/STOP
	Draag oog- en oorbescherming		Gevaar voor verlies van vingers of hand, door impellerbladen
	Hete delen - brandgevaar voor vingers en handen		Lang haar kan verstrikt raken en ongelukken veroorzaken.

VEILIGHEIDSVOORSCHRIFTEN

Algemene aanwijzingen

- Om verzekerd te zijn van een correcte en veilige bediening moet de gebruiker de instructies in deze handleiding lezen, begrijpen en opvolgen om vertrouwd te geraken met de bladblazer (1). Gebruikers die onvoldoende deskundig zijn riskeren ongelukken voor zichzelf en anderen door onjuiste bediening.
- Het is aan te bevelen de bladblazer alleen uit te lenen aan personen die vertrouwd zijn met de werking hiervan.
- Reik altijd de gebruiksaanwijzing over.
- Onervaren gebruikers moeten zich door de dealer laten instrueren in de eerste beginselen voor het correcte gebruik van de bladblazer.
- Kinderen en personen onder de 18 jaar mogen niet werken met de bladblazer. Personen boven de 16 jaar mogen in hun trainingsfase het gereedschap wel bedienen, maar dan alleen onder direct toezicht van een bevoegd instructeur.
- Gebruik de bladblazer altijd met uiterste zorg en waakzaamheid.
- Gebruik de bladblazer enkel wanneer u in goede lichamelijke conditie verkeert.
- Verricht alle werkzaamheden steeds zorgvuldig en nauwgezet. De gebruiker is verantwoordelijk voor de veiligheid van derden.
- Gebruik de bladblazer nooit wanneer u onder de invloed van alcohol of medicijnen bent (2).
- Gebruik het apparaat niet wanneer u zich eigenlijk te moe voelt.
- Bewaar deze instructies voor latere naslag.

Beschermende kleding en veiligheidsvoorzieningen

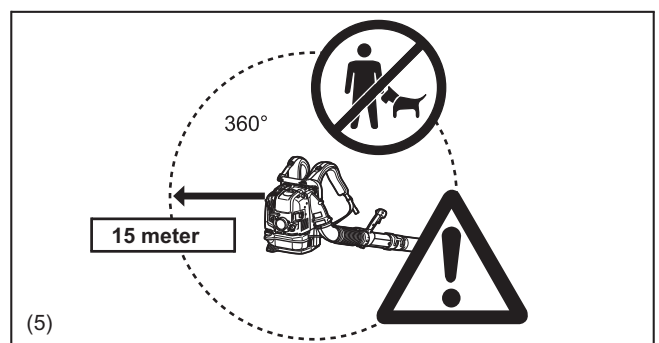
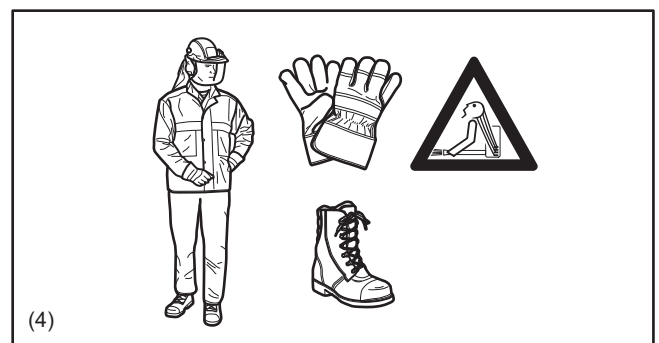
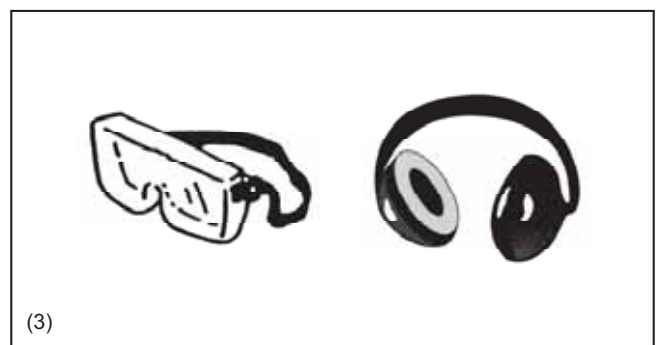
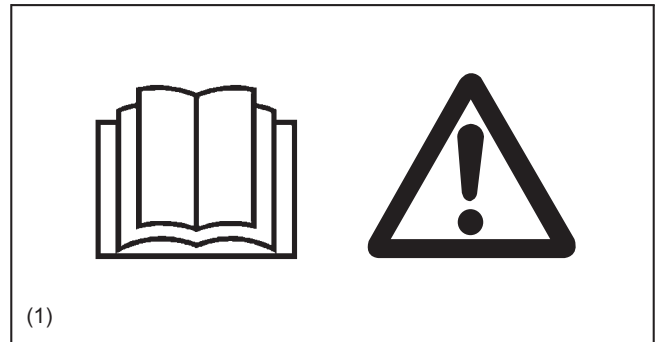
- Zorg dat uw kleding passend en functioneel is, m.a.w. niet loshangend maar nauwsluitend zonder dat het u hindert in uw bewegingen. Draag nooit sieraden zoals kettingen, loszittende kledingstukken of lang haar dat in de luchtinlaat kan worden gezogen.
- Ter voorkoming van hoofd-, oog-, hand- of voetverwondingen en om uw gehoor te beschermen moet u tijdens het gebruik van de bladblazer de volgende beschermende kleding en veiligheidsvoorzieningen dragen.

Neem vooral de volgende voorschriften zorgvuldig in acht

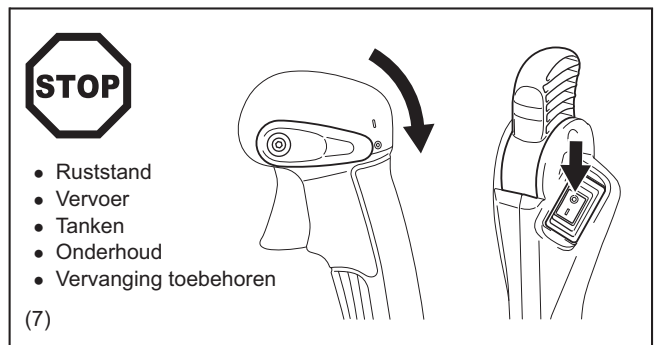
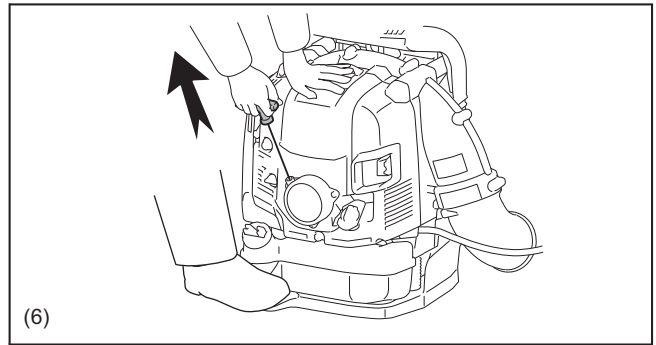
- Kleding moet nauwsluitend en afgekleed zitten, maar moet wel steeds voldoende bewegingsruimte bieden. Vermijd loshangende jasjes, wijde, gescheurde of omgeslagen broeken en dassen, shawls of loshangend haar dat in de luchtinlaat gezogen kan worden. (4)
Draag een overall of lange broek om uw benen te beschermen. Werk niet in korte broek. (4)
- Gemotoriseerde apparatuur kan vaak zoveel lawaai voortbrengen dat het uw gehoor kan beschadigen. Draag oorbeschermers (oordoppen of oorkleppen) om uw oren te beschermen. Zeer regelmatige of veelvuldige gebruikers moeten hun gehoor regelmatig laten testen. (3)
- Bij het gebruik van de bladblazer is het aanbevolen om handschoenen te dragen.
Draag stevig schoeisel met anti-slipzolen. (4)
- Deugdelijke oogbescherming is vereist. Alhoewel de luchtstroom van u af gericht is, kunnen er tijdens het gebruik van de bladblazer soms steentjes of takjes terugkaatsen. (3)
- Werk nooit met de blazer zonder uw ogen te beschermen met een goed passende veiligheidsbril of gezichtsmasker met afdoende bescherming van boven en opzij, die voldoet aan de voorschriften van EN166 en de plaatselijke veiligheidseisen.
- Om inwendig letsel door het inademen van stof te voorkomen, dient u in stoffige omstandigheden een stofmasker te dragen.

Starten van de blazer

- Verzeker u ervan dat er geen kinderen of andere personen zich binnen een straal van 15 meter bevinden (5), en let ook op de eventuele aanwezigheid van dieren dichtbij uw werkplek. Gebruik de blazer niet in druk bevolkte gebieden.
- Voor ingebruikname moet u altijd eerst de blazer controleren op veilig gebruik:
Controleer of de gashendel goed functioneert. De gashendel moet vooral vrij en soepel kunnen bewegen. Controleer ook de juiste werking van de gasvergrendelknop. Controleer op vetvrije en droge handgrepen en test het functioneren van de I-O aan/uit-schakelaar. Houd hendels en grepen vrij van olie en benzine.

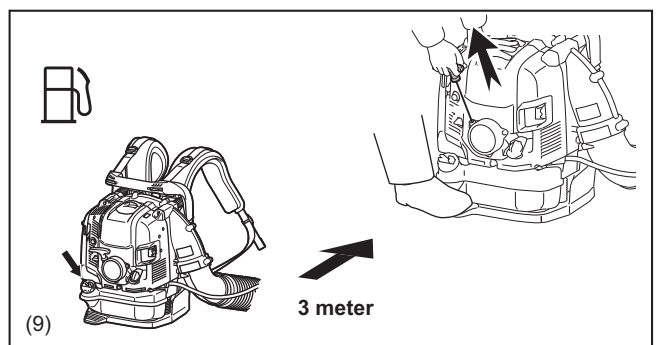
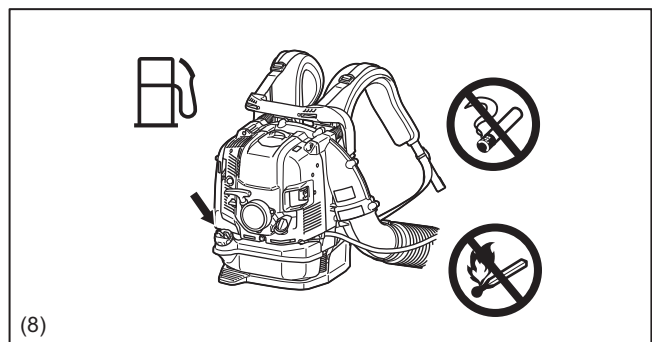


- Start de blazer enkel volgens de instructies. Probeer nooit om de motor op een andere manier te starten (6).
- Gebruik de blazer en de bijgeleverde gereedschappen alleen voor de specifiek aangegeven doeleinden.
- Start de motor van de blazer pas wanneer het apparaat volledig is gemonteerd. Het gebruik van dit apparaat is alleen toegestaan wanneer alle vereiste toebehoren er op zijn gemonteerd.
- De motor moet direct worden uitgeschakeld, indien zich hier problemen mee voordoen.
- Wanneer u werkt met de blazer, moet u altijd uw vingers stevig rond de handgreep houden, met de bedieningshendel tussen uw duim en wijsvinger. Houd uw hand in deze positie zodat u de machine voortdurend goed onder controle kunt houden. Zorg ervoor dat uw bedieningshendel in goede staat verkeert en vrij blijft van vocht, vuil, olie en vet. Zorg er altijd voor dat u zelf veilig en stevig staat.
- Draag de bladblazer tijdens het werk altijd evenwichtig op beide schouders. Draag de bladblazer niet aan één enkele schouderband. Anders zou u een blessure kunnen oplopen.
- Werk met de blazer steeds in een zodanige stand dat u geen uitlaatgassen inademt. Laat nooit de motor van het apparaat draaien in een afgesloten ruimte (gevaar voor verstikking en gasvergiftiging). Koolmonoxide is een geur- en kleurloos gas. Zorg altijd voor voldoende ventilatie.
- Schakel de motor altijd uit wanneer u even uitrust of wanneer u de blazer onbeheerd achterlaat. Berg het apparaat op in een veilige plaats om te voorkomen dat er schade aan ontstaat, dat het gevaar voor anderen kan opleveren of licht ontvlambare stoffen kan doen ontbranden.
- Leg een warmgelopen bladblazer nooit neer in droog gras of andere brandbare materialen.
- Tijdens het werken moeten alle bij het apparaat geleverde veiligheidsonderdelen en -voorzieningen er op worden gebruikt.
- Werk nooit met een defecte of verstopte uitlaat.
- Schakel de motor uit voor vervoer van het apparaat (7).
- Zorg dat de blazer tijdens vervoer in een auto of vrachtwagen stabiel is neergezet, om brandstoflekkage te voorkomen.
- Voor transport van de blazer dient u te zorgen dat de brandstoftank helemaal leeg is.
- Draag de bladblazer aan de draagbeugel. Sleep de bladblazer niet mee aan het mondstuk, de blaaspijp of andere onderdelen.
- Voor het optillen van de bladblazer dient u de knieën te buigen en voorzichtig te zijn dat u uw rug niet overbelast.



Tanken

- Schakel de motor uit voor het bijtanken (7), houd de machine weg bij open vuur (8) en rook beslist niet.
- Voorkom huidcontact met benzine. Adem geen benzinedampen in. Draag altijd beschermende handschoenen bij het tanken. Verwissel regelmatig uw beschermende kleding en reinig die ook regelmatig.
- Vermijd het morsen van benzine of olie om vervuiling van de grond te voorkomen (ter bescherming van het milieu). Veeg gemorste benzine direct af en maak de bladblazer goed schoon. Laat natte lappen opdrogen voordat u ze wegwerpt in een goed sluitende afvalbak, om het gevaar van spontane ontbranding te voorkomen.
- Zorg dat u geen benzine op uw kleding morst. Verkleed u onmiddellijk als er benzine op uw kleding is gemorst (vanwege brandgevaar).
- Controleer regelmatig de benzinetankdop op lekkage en let op dat de dop goed afsluit.
- Draai de borgschroef van de benzinetankdop stevig vast. Start de motor altijd op een andere plaats (tenminste 3 meter verwijderd) dan waar u hebt bijgetankt (9).
- Tank nooit bij in een afgesloten ruimte. Benzinedampen vormen zeer brandbare gassen op grondniveau (explosiegevaar).
- Vervoer en bewaar benzine uitsluitend in goedgekeurde jerrycans. Zorg dat uw brandstofvoorraad niet toegankelijk is voor kinderen.
- Tank nooit een hete of nog draaiende motor bij.



Bedieningsvoorschriften

- Gebruik de blazer enkel bij helder licht en goed zicht. Pas op voor natte of glibberige plaatsen, ijs, sneeuw en ijs (gevaar voor uitglijden) en krappe ruimten.
Zorg dat u altijd stevig staat.
- Werk nooit op een instabiele ondergrond of een steile helling.
- Werk nooit vanaf een ladder of een hoge plaats. Anders loopt u gevaar voor verwondingen.
- Om gevaar voor persoonlijk letsel te voorkomen, mag u nooit de luchtstroom op omstanders richten, want de hoge luchtdruk kan schadelijk zijn voor de ogen en de krachtige luchtstroom kan gruis e.d. met grote snelheid uitwerpen.
- Plaats nooit enig voorwerp in de luchtinlaat van het apparaat of in de blaaspijp van de bladblazer. Dat kan de ventilator beschadigen en kan gevaar voor ernstig letsel opleveren zowel voor u als gebruiker en voor omstanders, als het voorwerp of gebroken onderdelen met kracht worden weggeslingerd.
- Let altijd op de windrichting; werk vooral niet tegen de windrichting in.
- Om gevaar voor struikelen en vallen te voorkomen, mag u nooit in achterwaartse richting lopend met het apparaat werken.
- Schakel de motor altijd uit voordat u het apparaat gaat reinigen of onderhouden of voordat u onderdelen gaat vervangen.
- Neem regelmatig even rust om verlies aan beheersing door vermoeidheid te voorkomen. Wij raden u aan om elk uur een rustpauze van 10 tot 20 minuten in te lassen.
- Gebruik het apparaat niet al te dicht bij vensterruiten e.d.
- Om schade door trillingen en/of gehoorschade te voorkomen, dient u het apparaat zo veel mogelijk op lage snelheid te gebruiken en de gebruiksduur te beperken.
- Gebruik het apparaat alleen op een redelijke tijd van de dag. Gebruik de blazer niet op de vroege ochtend of erg laat in de avond, wanneer het apparaat hinder voor omwonenden kan opleveren.
- Het is aanbevolen om het afval voor het blazen los te maken met een hark of bezem.
- Onder stoffige omstandigheden kunt u de omgeving voor het blazen licht besproeien, desnoods met een mistapparaat.
- Verstel de lengte van het blaasmondstuk zodat de luchtstroom dichtbij de grond kan werken.
- Om het geluidsniveau te minimaliseren, dient u het aantal tegelijk gebruikte gereedschappen beperkt te houden.

Na het gebruik van de bladblazer en andere apparatuur, OPRUIMEN a.u.b.!
Werp alle afval in een afvalbak.

Onderhoudsaanwijzingen

- Ga milieubewust te werk. Gebruik de bladblazer met zo min mogelijk lawaai en luchtvervuiling als mogelijk. Laat vooral de afstelling van de carburateur regelmatig controleren.
- Maak de blazer regelmatig schoon en controleer of alle bouten en moeren stevig vast zitten.
- Onderhoud of bewaar de blazer nooit in de nabijheid van open vuur, vonken, enz. (11).
- Sla de bladblazer altijd op met een lege brandstoftank in een goed geventileerde, met een slot afgesloten ruimte.

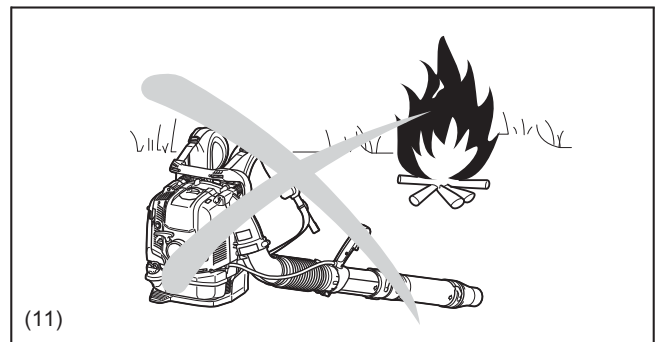
Pas op voor ongelukken en volg alle relevante veiligheidsinstructies, uitgegeven door overheidsinstellingen en verzekeringsinstanties. Maak geen enkele aanpassing of modificatie aan uw blazer, want dat kan uw veiligheid in gevaar brengen.

Het uitvoeren van onderhoud of reparaties door de gebruiker is beperkt tot de in deze gebruiksaanwijzing omschreven punten. Alle andere werkzaamheden dienen door een erkende onderhoudsdienst uitgevoerd te worden.

Gebruik enkel originele reserveonderdelen en accessoires geleverd door Makita.

Het gebruik van niet-goedgekeurde onderdelen of toebehoren verhoogt de kans op ongelukken en verwondingen. Makita aanvaardt geen enkele aansprakelijkheid voor ongelukken of schade die voortvloeit uit het gebruik van niet-goedgekeurde onderdelen of toebehoren.

Maak nooit aanpassingen aan de apparatuur. Dat kan gevaarlijke ongelukken veroorzaken, met kans op verwondingen.

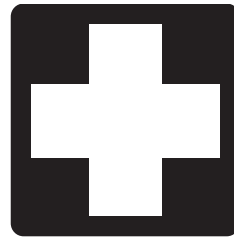


Eerste hulp

Voor het geval van ongelukken dient een goed gevulde eerste-hulpkoffer in de nabijheid van de werkzaamheden aanwezig te zijn. Vul direct na gebruik van de inhoud de eerste-hulpkoffer weer volledig aan.

Wanneer u hulp inroept, geef dan altijd de volgende informatie:

- Plaats van het ongeluk
- Wat er gebeurd is
- Aantal verwonde personen
- Aard van de verwondingen
- Uw naam



(12)

Alleen voor Europese landen

EU-verklaring van conformiteit

Wij, Makita Corporation, als de verantwoordelijke fabrikant, verklaren dat de volgende Makita-machine(s):

Aanduiding van de machine: Benzine bladblazer

Modelnr./Type: EB7650TH, EB7650WH

Technische gegevens: zie de tabel "TECHNISCHE GEGEVENS"

in serie zijn geproduceerd en

Voldoen aan de volgende Europese richtlijnen:

2000/14/EU, 2006/42/EU

En zijn gefabriceerd in overeenstemming met de volgende normen of genormaliseerde documenten:

EN15503

De technische documentatie wordt bewaard door onze erkende vertegenwoordiger in Europa, te weten:

Makita International Europe Ltd.,

Michigan Drive, Tongwell, Milton Keynes, Bucks MK15 8JD, Engeland

De conformiteitsbeoordelingsprocedure vereist door richtlijn 2000/14/EU was in overeenstemming met annex V.

Gemeten geluidsvermogeniveau: 110 dB

Gegarandeerd geluidsvermogeniveau: 111 dB

6. 8. 2013

Tomoyasu Kato

Directeur

Makita Corporation

3-11-8, Sumiyoshi-cho,

Anjo, Aichi, JAPAN

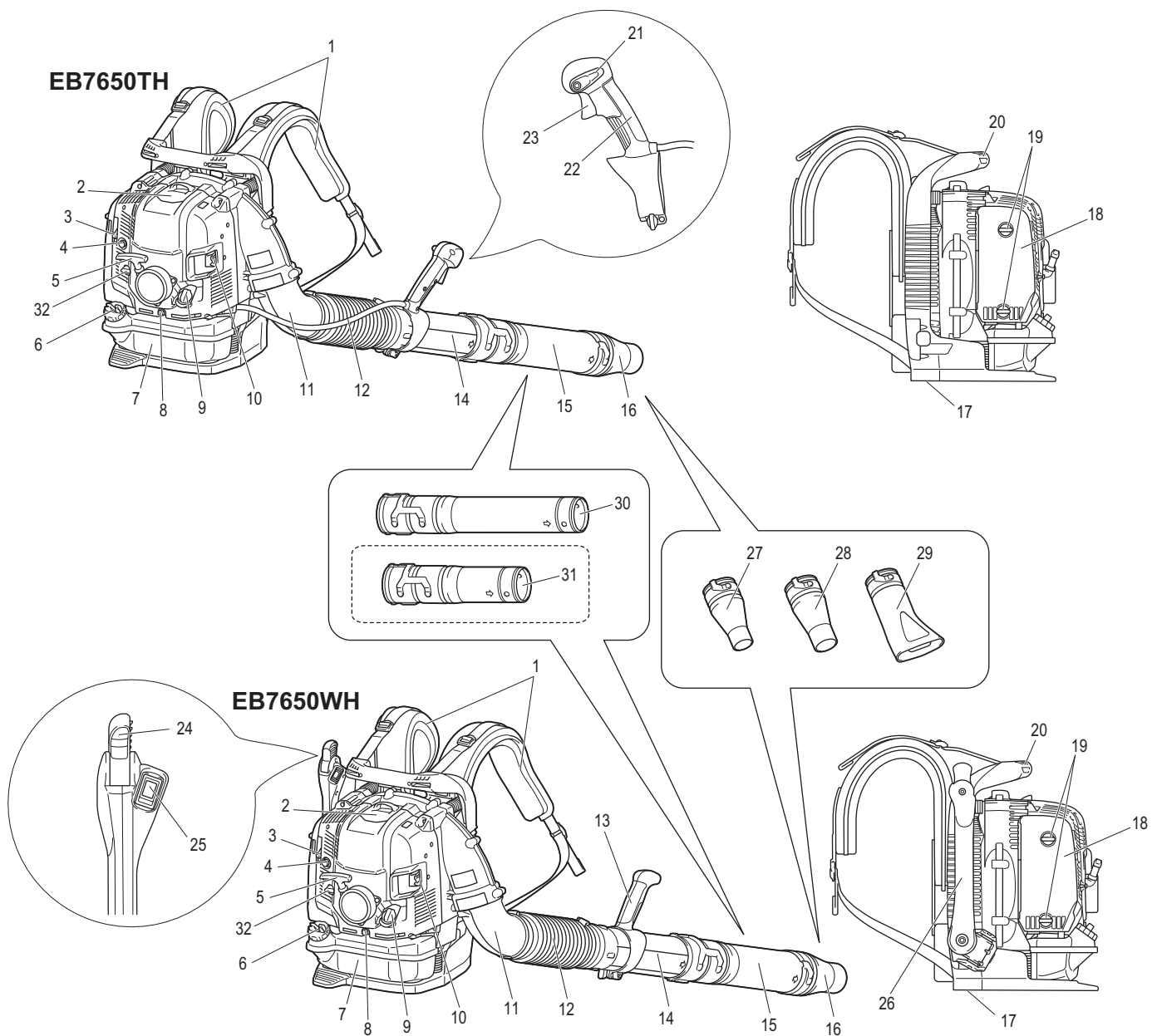
TECHNISCHE GEGEVENS

Model				EB7650TH	EB7650WH		
Type gasklep				Buisgasklep	Heupgasklep		
Gewicht (zonder blaaspijp) (kg)				10,8	11,0		
Afmetingen (zonder blaaspijp, L x B x H) (mm)				332 x 460 x 480	332 x 510 x 480		
Luchtstroomsnelheid	(met lange pijp)	(met snelheidblaasmondstuk)		(m/s)	89		
		(met volumeblaasmondstuk)			81		
		(met plat blaasmondstuk)			86		
	(met korte pijp)	(met snelheidblaasmondstuk)			90		
		(met volumeblaasmondstuk)			81		
		(met plat blaasmondstuk)			87		
Luchtstroomvolume	(met lange pijp)	(met snelheidblaasmondstuk)		(m ³ /minuut)	17		
		(met volumeblaasmondstuk)			19		
		(met plat blaasmondstuk)			17		
	(met korte pijp)	(met snelheidblaasmondstuk)			17		
		(met volumeblaasmondstuk)			19		
		(met plat blaasmondstuk)			17		
Max. motortoerental (met snelheidblaasmondstuk) (min ⁻¹)				7 100			
Stationair toerental (min ⁻¹)				2 800			
Cilinderinhoud (cm ³)				75,6			
Brandstof				Autobenzine			
Inhoud brandstoftank (cm ³)				1 900			
Motorolie				SAE 10W-30 olie van API-classificatie SF-klasse of hoger (4-takt motorolie voor auto's)			
Olievolume van de motor (cm ³)				220			
Carburateur (type)				Membraan			
Bougie				NGK CMR6A			
Elektrodenafstand (mm)				0,7 – 0,8			
Trillingen volgens EN15503: 2009	Rechter handgreep	a _{hv eq}	(met lange pijp)	(met snelheidblaasmondstuk)	(m/s ²)	2,5	2,7
				(met volumeblaasmondstuk)		2,3	2,3
				(met plat blaasmondstuk)		4,1	4,8
		(met korte pijp)	(met snelheidblaasmondstuk)	3,1		2,7	
			(met volumeblaasmondstuk)	2,8		2,3	
			(met plat blaasmondstuk)	3,7		5,1	
	Onzekerheid K					2,2	3,0
	Linker handgreep (bedieningsarm)	a _{hv eq}	(met lange pijp)	(met snelheidblaasmondstuk)			0,7
				(met volumeblaasmondstuk)			0,7
				(met plat blaasmondstuk)			0,9
		(met korte pijp)	(met snelheidblaasmondstuk)			0,8	
			(met volumeblaasmondstuk)			0,7	
			(met plat blaasmondstuk)			0,9	
	Onzekerheid K						0,5
	Gemiddeld geluidsdrumniveau volgens EN15503: 2009					L _{PA eq} dB(A)	100
						Onzekerheid K dB(A)	1,5
	Gemiddeld geluidsvermogeniveau volgens EN15503: 2009					L _{WA eq} dB(A)	110
						Onzekerheid K dB(A)	1,0

Opmerkingen:

- Vanwege ons voortgaand onderzoeks- en ontwikkelingsprogramma kunnen de hier vermelde technische gegevens zonder voorafgaande kennisgeving worden gewijzigd.
- De technische gegevens kunnen per land verschillend zijn.

BENAMING VAN DE ONDERDELEN



1. Schouderband	9. Olievuldop	17. Luchtinlaatrooster (onderaan)	25. Stopschakelaar
2. Bougiedeksel	10. Knaldemper	18. LuchtfILTERDEKSEL	26. Bedieningsarm
3. Chokehendel	11. Elleboogpijp	19. Bout (van luchtfILTERDEKSEL)	27. Snelheidsblaasmondstuk
4. Opvoerpomp	12. Flexibele pijp	20. Draagbeugel	28. Volumeblaasmondstuk
5. Startknop	13. Hendelgreep	21. Stopregelhendel	29. Plat blaasmondstuk
6. Brandstoftankdop	14. Zwenkpijp	22. Bedieningshendel	30. Lange pijp
7. Brandstoftank	15. Pijp (lang/kort)	23. Gaskleptrekker	31. Korte pijp (optioneel accessoire)
8. Olieaftapbout	16. Blaasmondstuk	24. Gasklephendel	32. Antivrieshendel

• De standaardaccessoires kunnen van land tot land verschillen.

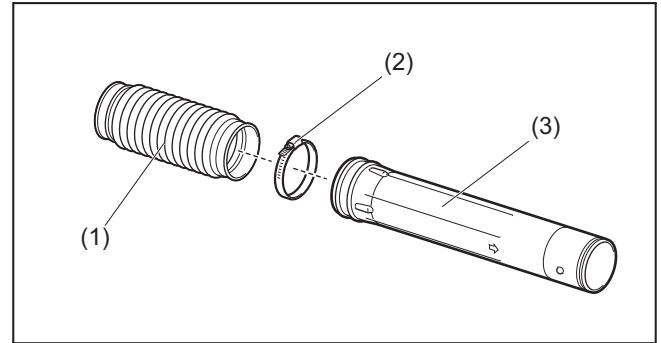
OPBOUWINSTRUCTIES

BEVESTIGEN VAN DE BLAASPIJPEN

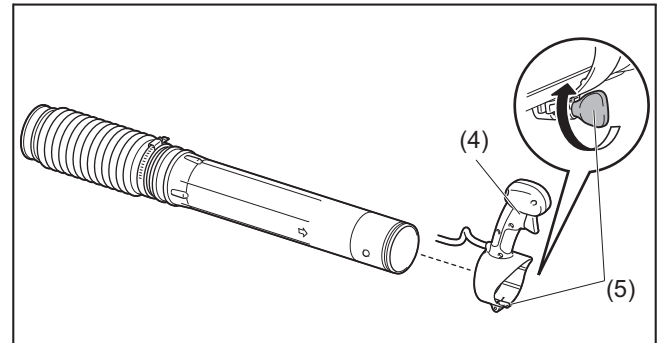
⚠ LET OP:

- Alvorens u enig werk aan de blazer gaat verrichten, zet u altijd eerst de motor af en trekt u de bougiedoppen van de bougie af.
Draag altijd beschermende handschoenen!
- Start de blazer pas nadat die volledig is gemonteerd.
- Draag altijd beschermende handschoenen!

1. Steek de zwenkpijp (3) in de flexibele pijp (1) en zet deze beide vast met de slangklem (2).

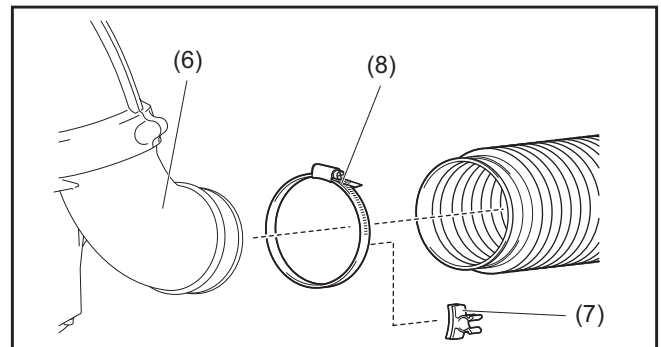


2. Bevestig de bedieningshendel / hendelgreep (4) aan de zwenkpijp en zet deze vast met de klemmschroef (5).



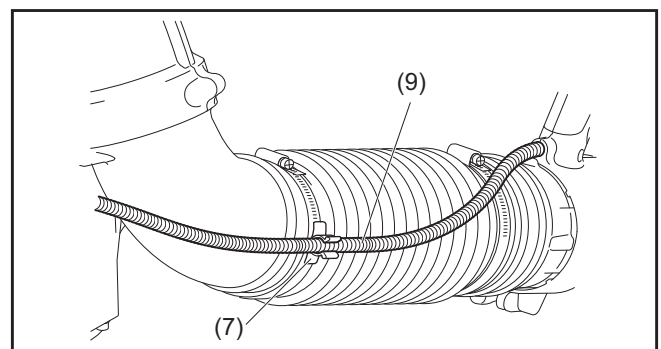
3. Voor het model met buisgasklep

Steek de flexibele pijp in de elleboogpijp (6) van de bladblazer. Bevestig de kabelhouder (7) tussen de slangklem (8) en de elleboogpijp. Maak de kabelhouder, de flexibele pijp en de elleboogpijp vast met de slangklem. Plaats de bedieningskabel (9) in de kabelhouder (7).

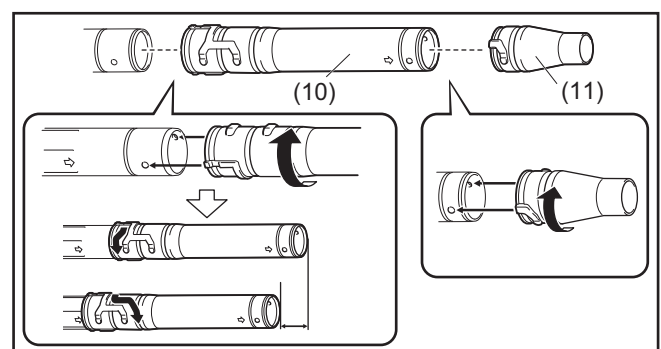


Voor het model met heupgasklep

Steek de flexibele pijp in de elleboogpijp (6) van de bladblazer. Maak de flexibele pijp en de elleboogpijp vast met de slangklem (8).



4. Bevestig de lange/korte pijp (10) aan de zwenkpijp. Draai de lange/korte pijp kloksgewijze om die vast te zetten. Bevestig vervolgens het blaasmondstuk (11) aan de lange/korte pijp. Draai het blaasmondstuk kloksgewijze om het vast te zetten.

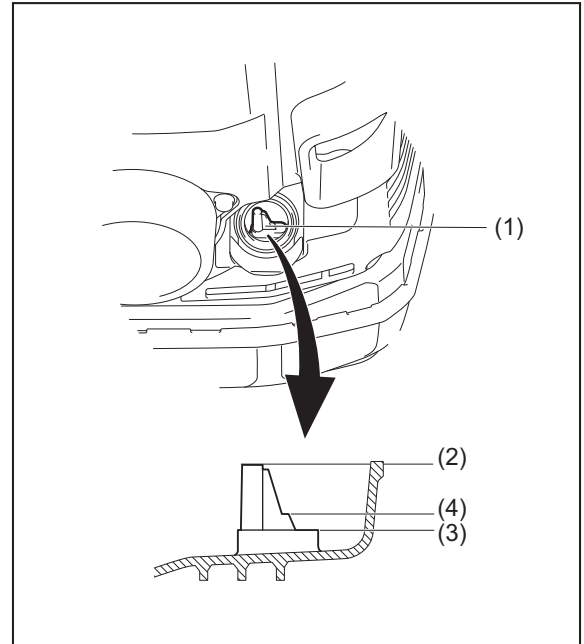


5. Zorg dat alle klemmen stevig vast zitten.

VOOR U DE MOTOR GAAT STARTEN

1. Controleren en bijvullen van motorolie

- 1) Verricht de volgende procedure altijd pas nadat de motor is afgekoeld.
Anders zou u brandwonden kunnen oplopen.
 - **Inspectie:** Plaats de bladblazer op een vlakke ondergrond en verwijder de olievuldop.
Controleer het oliepeil (1). Let op of het oliepeil tussen de bovenste (2) en onderste (3) limietmarkeringen staat. Als de olie niet tot aan de 100 ml markering (4) komt, dient u verse olie bij te vullen.
 - **Olie bijvullen:** Plaats de bladblazer op een vlakke ondergrond en verwijder de olievuldop.
Vul olie bij tot aan het bovenste peilstreepje van het oliepeilglas.
- 2) Over het algemeen zult u na ongeveer elke 20 gebruiksuren motorolie moeten bijvullen (om de 10 – 15 keer dat u benzine bijtankt).
- 3) Ververs de olie wanneer die vuil is of duidelijk van kleur veranderd is. (Zie onder "**Motorolie verversen**" voor de werkwijze en de regelmaat waarmee u de olie moet verversen.)



Aanbevolen olie: Originele Makita motorolie of SAE10W-30 olie van API-classificatie SF-klasse of hoger (4-takt motorolie voor auto's)
Oliecapaciteit: Ongeveer 0,22 L (220 ml)

OPMERKING:

- Als de blazer in opslag niet precies rechtop staat, kan de olie uit het peilglas in de motor vloeien, hetgeen bij controleren van het oliepeil een onjuiste oliepeilaanduiding geeft. Dit kan resulteren in het overmatig bijvullen telkens wanneer u motorolie bijvult. Zorg dat de bladblazer bij opslag precies rechtop staat.
- Als er te veel motorolie is, kan de olie uit de ontluchting van het luchtfilter komen en de omringende onderdelen bevuild, of kan witte rook vrijkomen doordat overtollige olie wordt verbrand.

Vervangen van olie "olievuldop"

- Verwijder stof of vuil rond de olievulopening en maak de olievuldop los.
- Zorg dat er geen stof of zand op de losse olievuldop komt. Anders kan zand of stof dat aan de olievuldop kleeft leiden tot onregelmatige olietoevoer of slijtage aan de motoronderdelen, hetgeen storingen kan veroorzaken.

Na het bijvullen van olie

- Veeg alle gemorste olie weg met een lap.

2. Brandstof tanken

WAARSCHUWING:

- Bij het tanken van brandstof dient u vooral de volgende punten in acht te nemen om ontbranding en gevaar voor brand of verwondingen te voorkomen:
 - Het bijtanken van brandstof moet gebeuren op een plaats waar geen open vuur is. Breng nooit enig brandend voorwerp (sigaret e.d.) dichtbij de plaats waar u brandstof tankt.
 - Zet de motor af en laat die afkoelen voordat u brandstof gaat tanken.
 - Kies een vlakke ondergrond voor het tanken van brandstof. Vermijd onstabiele of slecht geventileerde plaatsen voor het tanken van brandstof.
 - Verricht het tanken van brandstof bij helder licht en goed zicht.
 - Kies een vrije open omgeving voor het tanken van brandstof.
 - Open de brandstoftankdop heel voorzichtig. Door inwendige druk zou er brandstof uit de vulopening kunnen komen.
 - Wees voorzichtig dat u geen brandstof morst. Veeg eventueel gemorste brandstof onmiddellijk weg.
 - Verricht het tanken van brandstof op een goed geventileerde plaats.
- Ga voorzichtig om met brandstof.
 - Als er brandstof op uw huid of in uw ogen komt, kan dit leiden tot allergische reacties of irritatie. Roep onmiddellijk medische assistentie in wanneer u een fysieke afwijking bespeurt.
- DOE GEEN olie in de brandstoftank.

OPSLAGTERMIJN VAN BRANDSTOF

Brandstof hoort binnen 4 weken opgebruikt te worden, zelfs al bewaart u die in een speciale container in een goed geventileerde, donkere ruimte. Bij mindere omstandigheden kan brandstof al binnen een dag onbruikbaar worden.

Opslag van de machine en de brandstoftank

- Bewaar de machine en de brandstoftank op een koele plek, uit de zon.
- Bewaar brandstof nooit in uw auto.

BRANDSTOF

De motor is een 4-takt motor. Zorg dat u altijd benzine voor auto's gebruikt (normaal of super).

Opmerkingen over brandstof

- Gebruik nooit een benzine-olie mengsel (mengsmering). Dat kan overmatige koolafzetting en mechanische storingen veroorzaken.
- Bij gebruik van slechte olie/brandstof zal de motor onregelmatig starten.

Voor het bijtanken stopt u de motor en wacht u tot die afgekoeld is.

METHODE VOOR HET BIJTANKEN

- Draai de brandstoftankdop een beetje los om de overdruk geleidelijk te laten ontsnappen.
- Haal de tankdop er af en vul brandstof in de tank terwijl u er voor zorgt dat de gassen in de tank kunnen ontsnappen door de vulopening naar boven te houden. VUL NOOIT de tank tot aan de nok toe vol.
- Draai de tankdop weer stevig vast nadat u klaar bent met tanken.
- Als de tankdop beschadigd is, dient u deze te vervangen.
- De tankdop zal na verloop van tijd slijtage vertonen. Vervang de dop om de twee tot drie jaar.
- DOE NOOIT brandstof in de vulopening voor de motorolie.

BEDIENING

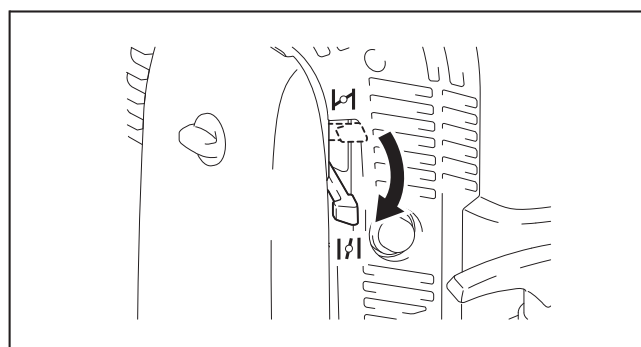
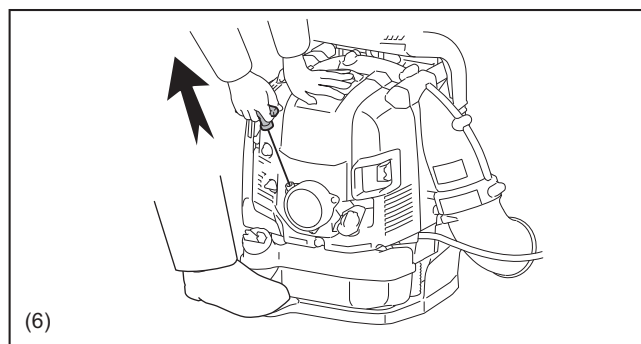
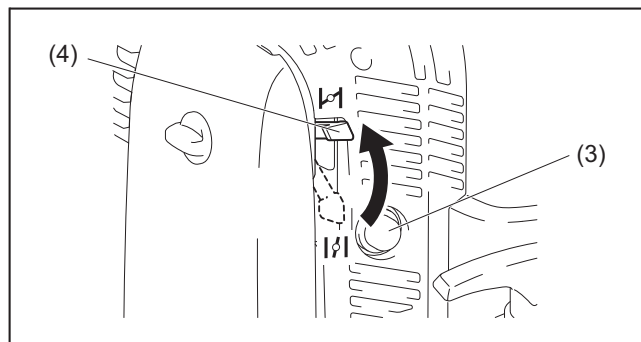
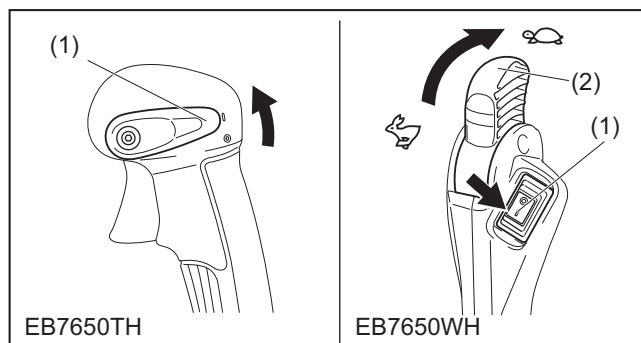
1. Starten

⚠ WAARSCHUWING:

- Start de motor in geen geval op dezelfde plek als waar u brandstof getankt heeft.
 - Dat zou gevaar voor brand kunnen veroorzaken. Ga minstens 3 meter bij de tankplek vandaan voordat u de motor start.
- De uitlaatgassen van de motor zijn giftig. Laat de motor niet draaien op een slecht geventileerde plaats, bijvoorbeeld in een tunnel, in een gebouw enz.
 - Gebruik van de motor op een slecht geventileerde plek kan leiden tot vergiftiging door uitlaatgassen.
- Stop en inspecteer de motor onmiddellijk wanneer u na het starten iets abnormaals bespeurt, zoals een vreemd geluid, geur, of trilling.
 - Als u de motor blijft gebruiken terwijl zich een dergelijk abnormaal verschijnsel voordoet, kan dat leiden tot ongelukken.
- Raak de hete motorkap niet aan. Anders zou u brandwonden kunnen oplopen.
- Let voor het starten van de motor goed op dat er geen sporen van brandstoflekkage zijn.
- Controleer of de motor daadwerkelijk stopt wanneer u de stopschakelaar in de "O" stand zet.

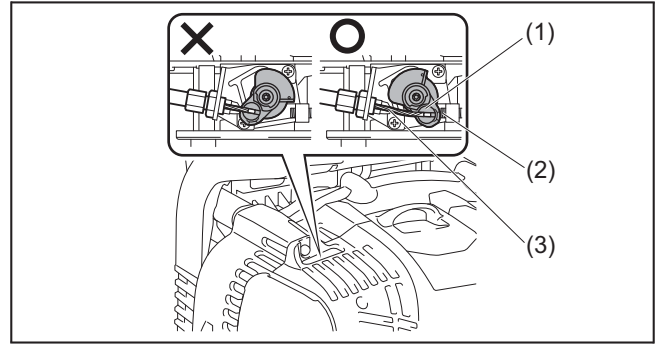
1) Wanneer de motor koud is of na het bijtanken (koude start)

- (1) Plaats de bladblazer op een vlakke ondergrond.
- (2) Voor het model met buisgasklep
Zet de stopregelhendel (1) in de "I" stand.
- (2) Voor het model met heuggasklep
Zet de stopschakelaar (1) in de "I" stand.
En zorg dat de gasklephendel (2) staat ingesteld op een laag toerental.
- (3) Blijf op de opvoerpomp (3) drukken totdat er brandstof in de opvoerpomp komt.
 - Meestal komt er na 7 tot 10 maal drukken brandstof in de carburateur.
 - Als u de opvoerpomp overmatig gebruikt, zal het teveel aan benzine teruggevoerd worden naar de brandstoftank.
- (4) Zet de chokehendel (4) omhoog in de gesloten stand.
- (5) Trap met uw rechervoet op het pedaal en houd de bovenkant van de apparaatkap met uw linkerhand vast om te voorkomen dat de motor in beweging komt.
- (6) Trek de starthendel langzaam uit totdat u compressie voelt. Geef er vervolgens een stevige ruk aan.
 - Trek het trekstartkoord nooit volledig uit.
 - Laat de trekstartknop geleidelijk terugkeren tot in de behuizing. Laat de trekstartknop niet abrupt los, want dan kan de knop tegen uw lichaam aan zwiepen of niet goed terugkeren.
- (7) Wanneer de motor start, zet u de chokehendel omlaag in de open stand.
 - Open de chokehendel helemaal wanneer u controleert hoe de motor loopt.
 - Bij koud weer of wanneer de motor is afgekoeld, mag u nooit de chokehendel ineens helemaal open zetten. Anders kan de motor afslaan.
- (8) Laat de motor 2 tot 3 minuten warmdraaien.
- (9) De motor is voldoende warmgedraaid wanneer deze snel op toeren komt zodra u vol gas geeft.



OPMERKING:

- De motor kan beschadigd raken als de chokehendel verder gezet wordt dan de "CLOSE" stand.
- Als de motor knalt en afslaat, zet u deze hendel terug in de "OPEN"-stand en trekt u enkele malen aan de starthendel om de motor opnieuw te starten.
- Als u aan de starthendel blijft trekken met de chokehendel in de "CLOSE" stand, kan de motor niet of nauwelijks meer starten omdat die door een teveel aan brandstof is verzopen.
- Als de motor door te veel brandstof is verzopen, verwijdert u de bougie en trekt u een paar keer snel aan de starthendel om het teveel aan brandstof te lozen. Maak de elektrode van de bougie goed droog.
- Wanneer de gasklep (1) niet terugkomt in een stand waarin deze de stationairstelschroef (2) raakt, zelfs niet wanneer de gasklep staat ingesteld op een laag toerental, stel dan de bedieningskabel (3) opnieuw af zodat de klep terugkeert in de correcte stand.



2) Wanneer de motor warm is (warme start)

- (1) Plaats de bladblazer op een vlakke ondergrond.
- (2) Druk enkele malen op de opvoerpomp.
- (3) Zorg dat de chokehendel open staat.
- (4) Trap met uw rechterschoen op het pedaal en houd de bovenkant van het apparaat met uw linkerhand vast om te voorkomen dat de motor in beweging komt.
- (5) Trek langzaam aan de starthendel totdat u compressie voelt.
- (6) Wanneer de motor niet gemakkelijk start, draait u de gasklep ongeveer 1/3 open.

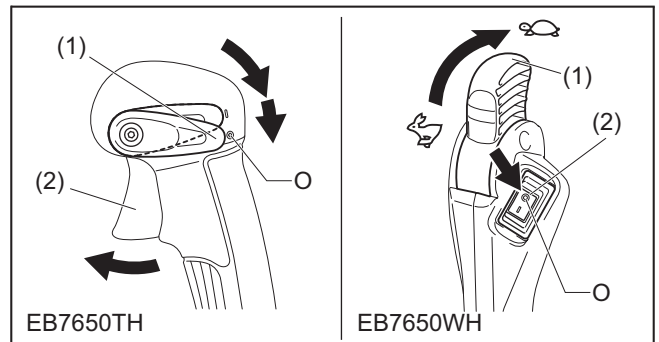
2. Stoppen

Voor het model met buisgasklep

Laat de gaskleptrekker (2) los en zet dan de stopregelhendel (1) in de "O" stand.

Voor het model met heupgasklep

Stel de gasklephendel (1) in op lage snelheid om het motortoerental te verminderen. Zet vervolgens de stopschakelaar (2) in de "O" stand.



STATIONAIRLOOP AFSTELLEN

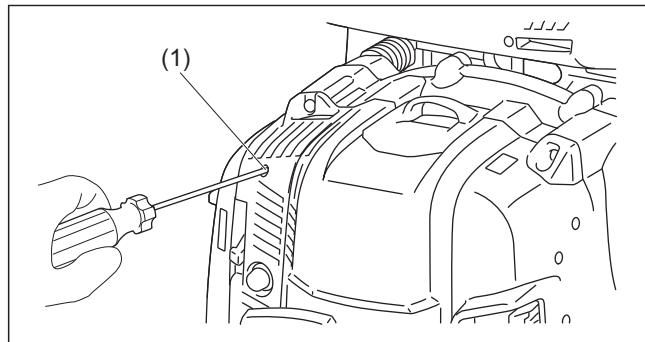
⚠ LET OP:

- De carburateur is in de fabriek afgesteld. Maak nooit enige andere afstelling dan alleen voor het stationair-toerental. Voor andere afstellingen dient u contact op te nemen met een erkend Makita servicecentrum.

Controleren van het stationair-toerental

Stel het stationair-toerental in op 2 800 toeren/min.

- Als het nodig is het toerental bij te regelen, kunt u de stelschroef (1) bijstellen met een kruiskopschroevendraaier.
- Draai de stelschroef naar rechts om het toerental van de motor te verhogen. Draai de stelschroef naar links om het motortoerental te verlagen.



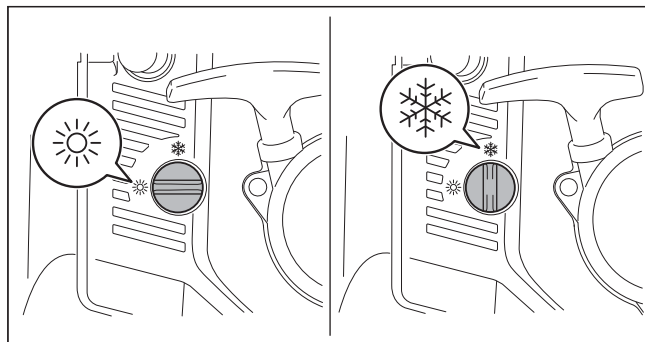
IJSAFZETTING IN DE CARBURATEUR VOORKOMEN

⚠ LET OP:

- Wanneer de omgevingstemperatuur hoger is dan 10°C, zet u de hendel altijd terug in de normale stand (gemarkt met een zonnetje). Ander zou de motor door oververhitting beschadigd kunnen worden.

Wanneer de omgevingstemperatuur laag is, met veel vocht in de lucht, kan er waterdamp binnenin de carburateur bevriezen, waardoor de motor onregelmatig zal gaan lopen (ijzafzetting in de carburateur). Verander indien nodig de stand van de antivrieshendel als volgt.

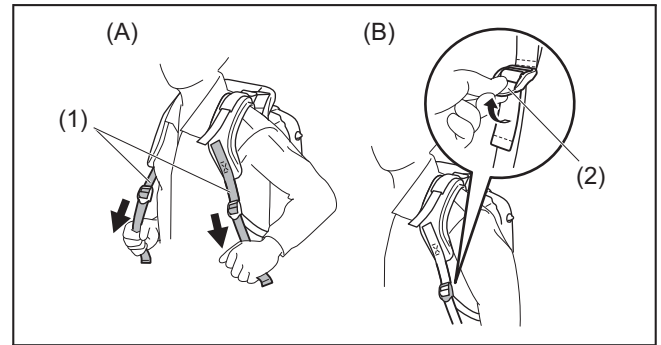
- Voor een omgevingstemperatuur boven 10°C: Draai de hendel in de normale stand (gemarkt met een zonnetje).
- Voor een omgevingstemperatuur gelijk aan of onder 10°C: Draai de hendel naar de antivriesstand (met het teken voor sneeuw).



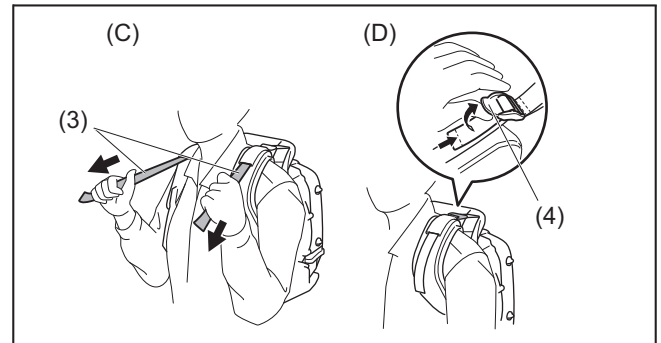
BEDIENINGSMETHODE

1. Verstellen van de schouderband

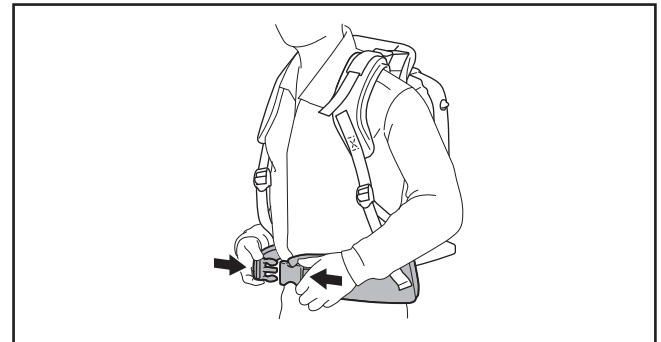
Stel de schouderband (1) in op een lengte waarbij u veilig en comfortabel kunt werken met de bladblazer op uw rug. Om de schouderband strak te trekken (A) trekt u het uiteinde van de schouderband omlaag. Om de schouderband losser te maken (B) trekt u het uiteinde van de gesp (2) omhoog.



Trek aan de stabilisatieband (3) totdat er geen speling meer open blijft tussen uw rug en het blazerhuis. Om de schouderband strak te trekken (C) trekt u het uiteinde van de schouderband omlaag. Om de schouderband losser te maken (D) trekt u het uiteinde van de gesp (4) omhoog.



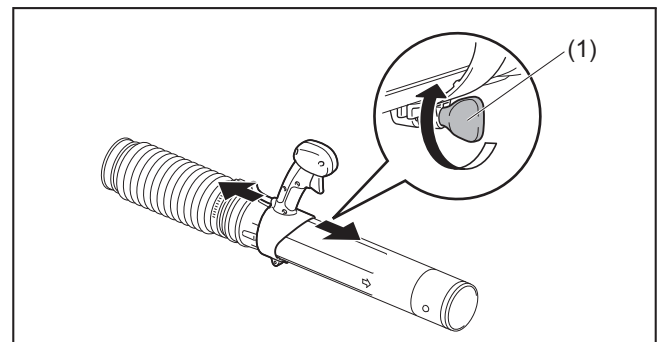
Met de heupriem (optioneel accessoire) kan de gebruiker het gereedschap stabiel dragen.



2. Afstellen van de bedieningshendel

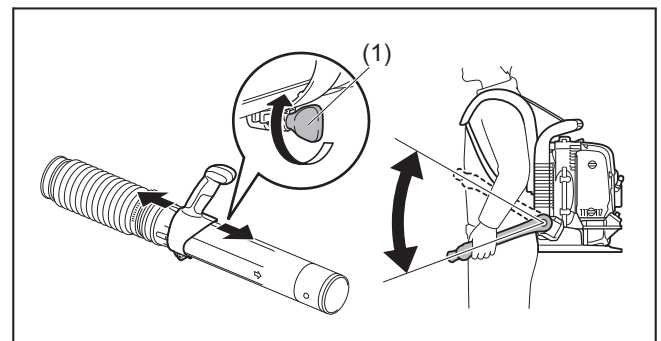
Voor het model met buisgasklep

Verschuif de bedieningshendel langs de zwenkpijp naar de meest comfortabele stand. Draai vervolgens de bedieningshendel vast met de schroef (1).



Voor het model met heupgasklep

Verschuif de hendelgreep langs de zwenkpijp naar de meest comfortabele stand. Draai vervolgens de hendelgreep vast met de schroef (1). Verstel de hoek van de bedieningsarm voor comfortabele bediening.



3. Bediening van de blazer

- 1) Tijdens het werken met de blazer kunt u de gaskleptrekker / gasklephendel zo instellen dat de blaasluchtdruk precies goed is voor de omstandigheden waaronder u werkt.
- 2) Afstellen van het motortoerental

Voor het model met buisgasklep

U verhoogt het motortoerental door de gaskleptrekker (1) verder in te drukken. Om het motortoerental te verlagen, laat u de gaskleptrekker een ietsje los.

Afstellen van het motortoerental met de "cruise control" functie:
Met de zgn. "cruise control" functie kunt u de motor op een constant toerental laten draaien zonder dat u uw vinger aan de trekker hoeft te houden.

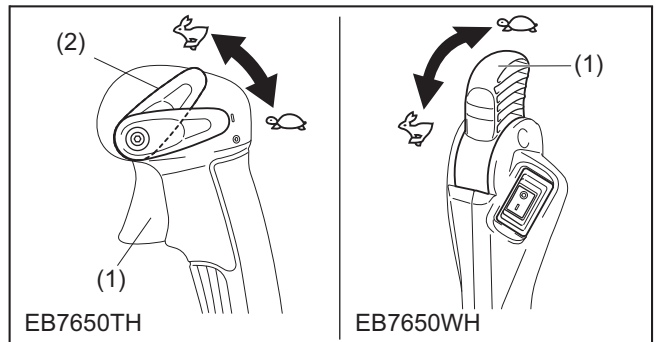
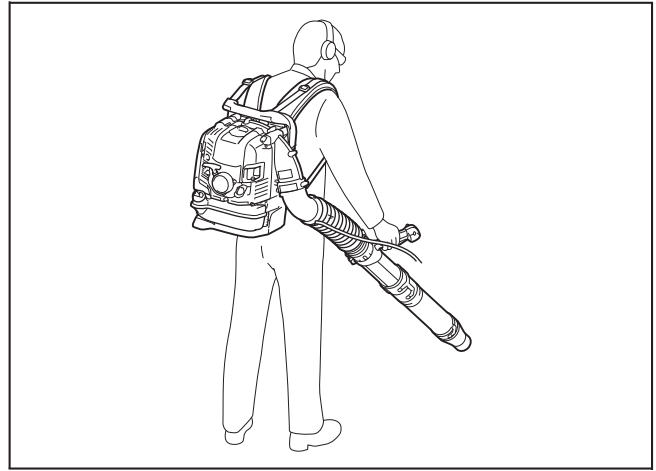
Voor een hoger motortoerental draait u de stopregelhendel (2) naar de stand voor hoge snelheid.

Voor een lager motortoerental draait u de stopregelhendel naar de stand voor lage snelheid.

Voor het model met heupgasklep

Voor een hoger motortoerental draait u de gasklephendel (1) naar de stand voor hoge snelheid.

Voor een lager motortoerental draait u de gasklephendel naar de stand voor lage snelheid.



VERVOER EN OPSLAG VAN DE BLAZER

⚠ LET OP:

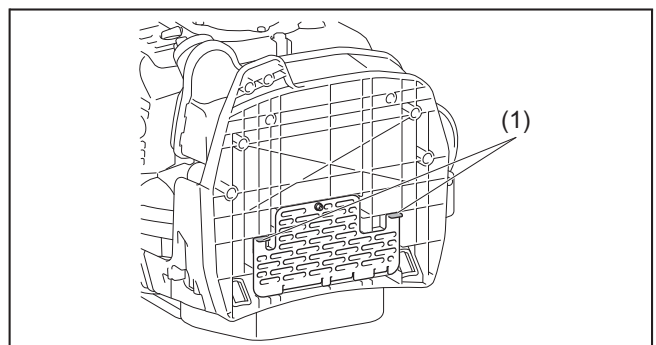
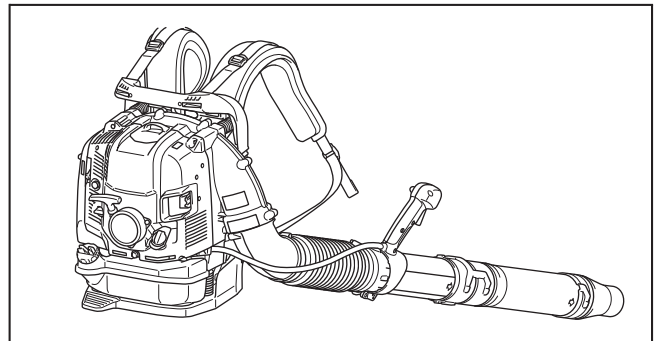
- Voordat u de blazer gaat vervoeren, zet u altijd eerst de motor af.

Ga niet op de bladblazer zitten of staan en plaats er geen zware voorwerpen bovenop. Dat kan het gereedschap beschadigen.

Zorg bij vervoer en opslag dat de blazer zo goed mogelijk rechtop staat. Bij vervoer of opslag in een andere dan rechtopstaande stand kan er olie in de motor van de blazer lekken. Dat kan leiden tot olie lekkage uit het apparaat en witte rook door de verbrandende olie en bovendien kan het blazerhuis door de olie vuil worden.

Bij vervoer of verplaatsen mag u de bladblazer niet over de grond laten slepen. Anders kan de behuizing van de bladblazer of het luchtinlaatrooster beschadigd worden en kunnen er onderdelen gaan roesten.

* Het luchtinlaatrooster heeft aardingscontacten (1) die statische elektriciteit naar de aarde laten afvloeien.



INSPECTIE EN ONDERHOUD

⚠ LET OP:

- Voor het verrichten van onderhoud en inspectie stopt u de motor en laat u die afkoelen. Verwijder de bougie en de bougiedop.
 - Als u dit nalaat, loopt u de kans op brandwonden of ernstig letsel als de motor onverwacht zou starten.
- Controleer na inspectie of onderhoud zorgvuldig of alle onderdelen goed op hun plaats zitten. Zo ja, dan kunt u het apparaat weer gebruiken.

1. Motorolie verversen

Te lang gebruikte motorolie zal de levensduur van de heen en weer bewegende en roterende onderdelen aanzienlijk bekorten. Vergeet niet te controleren wanneer en hoeveel olie er verversst moet worden.

⚠ LET OP:

- Meestal zullen de motor zelf en de motorolie nog enige tijd heet blijven, ook nadat de motor is gestopt. Als u de olie wilt gaan verversen, moet u eerst controleren of de motor zelf en de motorolie daarin voldoende zijn afgekoeld. Doet u dat niet, dan bestaat het gevaar dat u zich zult branden. Wacht na het stoppen van de motor nog even zodat de motorolie kan terugkeren naar de oliepan, om een juiste aanduiding van het oliepeil te garanderen.
- Als u olie bijvult tot voorbij de aangegeven limiet, kan de olie verontreinigd raken of verbranden met een witte rookontwikkeling.

Verversingsinterval: Na de eerste 20 gebruiksuren, en daarna om de 50 gebruiksuren.

Aanbevolen olie: SAE10W-30 olie van API- Classificatie SF-Klasse of hoger (4-takt olie voor auto's)

Werkwijze voor het verversen van de olie

Volg de onderstaande stappen wanneer u de olie gaat verversen:

- (1) Zet de bladblazer neer op een egale ondergrond.
- (2) Plaats een bak voor afgewerkte motorolie onder het aftapgat (1) om de olie in op te vangen. De olieopvangbak moet tenminste een inhoud hebben van 220 ml om alle olie te kunnen bevatten.
- (3) Draai de olieaftapbout (2) los om de olie te laten weglopen. Wees voorzichtig dat er geen olie morst op de brandstoftank of andere onderdelen.

⚠ LET OP:

- Pas op dat u de pakking (aluminium tussenring) (3) niet kwijt raakt. Leg de olieaftapbout (2) op een plek waar deze niet vuil kan worden.

- (4) Verwijder de olieuldop (4). (Door de olieuldop (4) te verwijderen kan de olie gemakkelijker uit de motor weglopen.)

⚠ LET OP:

- Leg de olieuldop (4) op een plek waar deze niet vuil kan worden.

- (5) Naarmate het oliepeil lager wordt, zult u de blazer geleidelijk naar de kant van het aftapgat moeten kantelen zodat alle olie uit de motor kan weglopen.

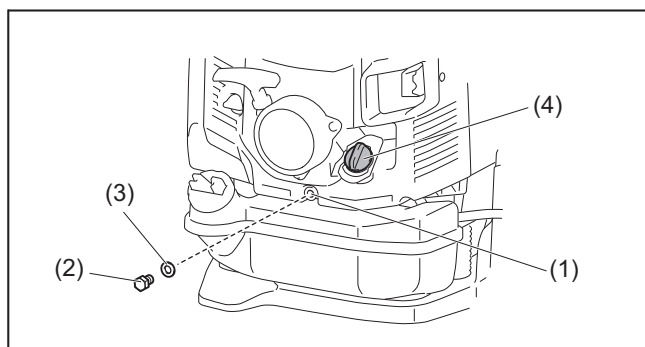
- (6) Nadat alle olie uit de motor gelopen is, draait u de olieaftapbout (2) weer stevig vast. Als de bout niet goed vast zit, kan er olie uit de motor blijven lekken.

⚠ LET OP:

- Vergeet niet de pakking (aluminium tussenring) (3) weer op zijn plaats te brengen wanneer u de olieaftapbout weer aanbrengt.

- (7) Extra olie bijvullen tijdens het olie verversen gaat op dezelfde manier als eerder werd beschreven voor het bijvullen van olie wanneer het oliepeil te laag geworden is. Olie bijvullen moet altijd via de opening van de olieuldop.
(Voorgeschreven oliepeil: Ongeveer 220 ml)

- (8) Nadat u de olie bijgevuld heeft, draait u de olieuldop (4) weer stevig vast, om olielekage te voorkomen.



Opmerkingen bij het verversen van de motorolie

- Gooi afgewerkte motorolie niet weg met het huisvuil en loos het niet in de natuur of in een sloot. Het afvoeren van olie is wettelijk geregeld. Volg altijd de geldende wetten en voorschriften wanneer u zich van afgewerkte motorolie wilt ontdoen. Raadpleeg een erkende onderhoudsdienst als u hieromtrent vragen hebt.
- Ook wanneer u olie gewoon bewaart zal de olie op den duur bederven. Controleer regelmatig of de olie die u wilt gebruiken nog goed is (vervang de olie minstens elke 6 maanden).

2. Reinigen van het luchtfilter



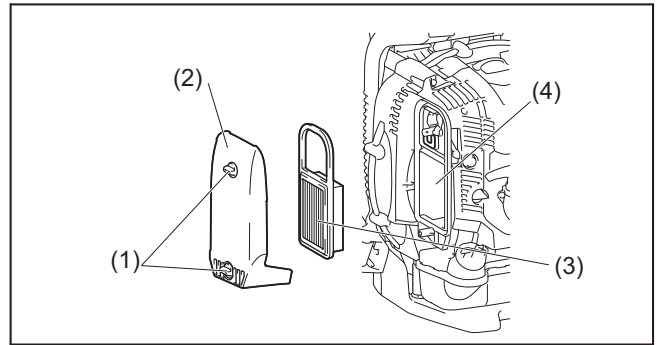
WAARSCHUWING: BRANDBARE STOFFEN STRENG VERBODEN

Interval voor reiniging en inspectie: Dagelijks (om de 10 gebruiksuren)

- (1) Draai de bouten (1) los.
- (2) Verwijder het luchtfilterdeksel (2).
- (3) Neem het element (3) er uit en verwijder met een borstel alle vuil van het element.

Opmerking:

- Het element is van het droge type en het mag niet nat worden. Was het in geen geval met water.
- (4) Vervang het element door een nieuw als het beschadigd of te zeer vervuild is.
 - (5) Veeg eventuele olie die op de luchtinlaat (4) is gekomen weg met een poetsdoek of lap.
 - (6) Installeer het element in het luchtfilterhuis.
 - (7) Breng het luchtfilterdeksel weer aan en draai de knopbout vast.



KENNISGEVING:

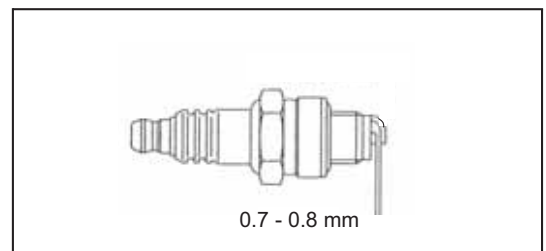
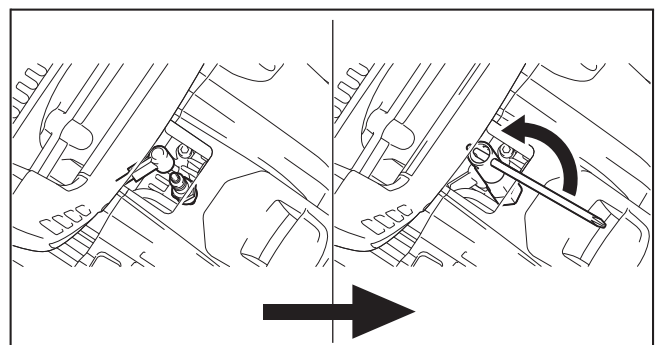
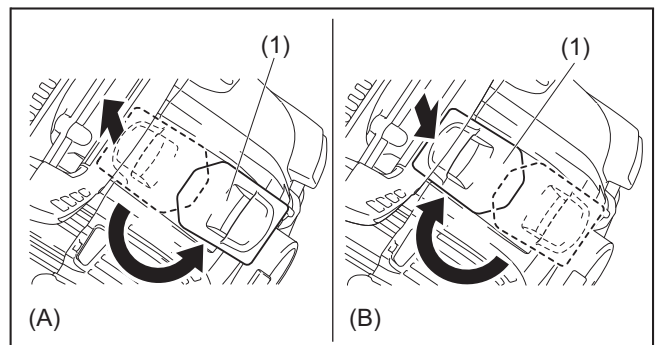
- Reinig het element verscheidene keren per dag als er erg veel stof door wordt opgevangen.
- Als u door blijft werken terwijl er aan het element nog olie kleeft, kan er olie uit het luchtfilter lekken, met als gevolg olievervuiling.

3. Bougie controleren

⚠ LET OP:

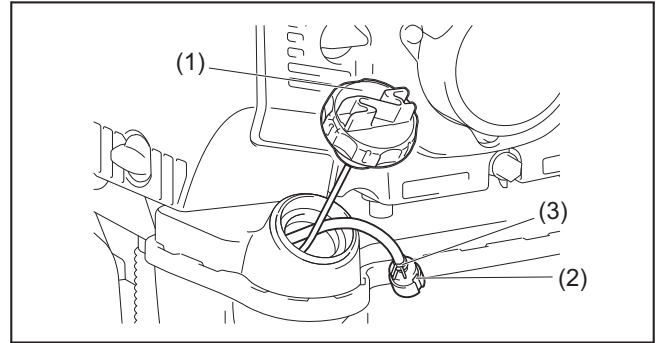
- Raak nooit de bougie aan terwijl de motor nog loopt. Anders kunt u een elektrische schok krijgen.
- Zet de stopregelhendel/stopschakelaar in de "O" UIT-stand.
- Controleer regelmatig de bougiekabel. Als de kabel beschadigd of gerafeld is, vervangt u die. Anders kunt u een elektrische schok krijgen.
- Voor het verwijderen van de bougie maakt u eerst de bougie en de cilinderkop goed schoon, om te voorkomen dat er stof of zand e.d. in de cilinder kan komen.
- De motor moet afgekoeld zijn voordat u de bougie verwijdert, om te voorkomen dat het inwendige schroefdraad in de cilinderkop beschadigd wordt.
- Schroef de bougie naderhand weer precies recht in het schroefgat. Als u de bougie er scheef indraait, zal dit het schroefdraad in de cilinderkop beschadigen.

- (1) Openen/sluiten van het bougiedeksel
Voor het openen (A) van het bougiedeksel (1) tilt u het op en draait u het een halve slag. Voor het sluiten (B) van het bougiedeksel draait u het een halve slag en drukt u het rond de uitholling dicht.
- (2) Verwijderen van de bougie
Gebruik de bijgeleverde bougiesleutel om de bougie te verwijderen of weer vast te draaien.
- (3) Controleren van de bougie
De speling tussen de twee elektroden van de bougie moet 0,7 tot 0,8 mm bedragen. Stel de juiste speling bij als de elektrodenafstand te groot of te klein is.
Maak de bougie grondig schoon of vervang de bougie wanneer deze verontreinigd is of veel koolaanslag heeft.
- (4) Vervangen van de bougie
Gebruik ter vervanging een NGK-CMR6A bougie.



4. Brandstoffilter schoonmaken

- Een verstopt brandstoffilter kan leiden tot startproblemen of de onmogelijkheid het toerental te verhogen.
- Controleer het brandstoffilter regelmatig op de volgende wijze:
 - (1) Verwijder de brandstoftankdop (1) en tap de brandstof af totdat de tank helemaal leeg is. Controleer de binnenkant van de tank op eventuele ongerechtigheden. Verwijder eventueel aanwezig vuil of gruis.
 - (2) Trek het brandstoffilter (2) met een draad uit de tank via de vulopening.
 - (3) Als het brandstoffilter vuil is, reinigt u het met schone benzine. Gooi de benzine die u voor het schoonmaken hebt gebruikt weg in overeenstemming met de ter plaatse geldende voorschriften. Als het brandstoffilter erg vuil is, vervangt u het.
 - (4) Na controle, reinigen of vervangen plaatst u het brandstoffilter in de brandstofpijp en maakt u het vast met de slangklem (3). Doe het brandstoffilter terug in de benzinetank en breng de tankdop weer stevig op zijn plaats.
- Controleer of er geen schade aan de brandstoftank is.

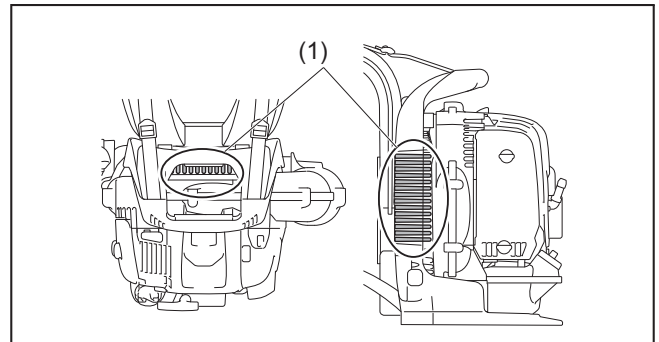


5. Inspectie van bouten, moeren en schroeven

- Draai losgetrilde bouten, moeren e.d. weer vast.
- Controleer of er brandstof- of olie lekkage is opgetreden.
- Vervang beschadigde of versleten onderdelen door nieuwe om een veilige werking van het apparaat te waarborgen.

6. Reinigen van onderdelen

- Houd de motor schoon door die met een lap af te vegen.
- Houd de cilinderkoelvinnen vrij van stof en vuil. Als de koelvinnen bedekt raken met stof of vuil, kan de motor vastlopen.
- De uitgeblazen lucht wordt eerst aangezogen via de luchtinlaat met het inlaatrooster (1). Wanneer u merkt dat de blaaskracht afneemt, moet u de motor stoppen en controleren of het inlaatrooster van de luchtinlaat niet gedeeltelijk verstopt geraakt is. Maak indien nodig de verstopte delen schoon.
- Controleer het luchtinlaatrooster onderaan. Verwijder de schroef en dan het luchtinlaatrooster. Controleer of het verstopt of geblokkeerd is. Maak indien nodig de verstopte delen schoon.
- Een dergelijke verstopping kan leiden tot oververhitting en schade aan de motor.



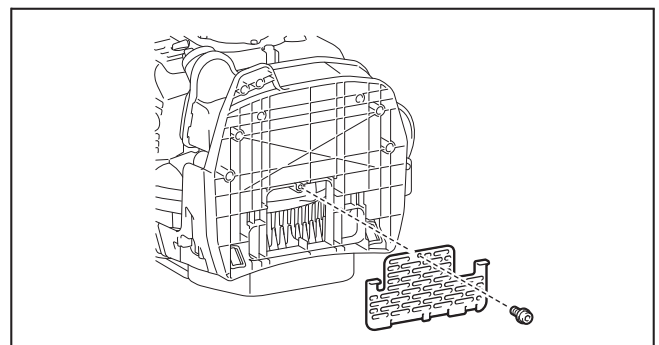
⚠ WAARSCHUWING:

- Gebruik de blazer in geen geval zonder het rooster voor de luchtinlaat. Controleer voor elk gebruik even of het rooster goed op zijn plaats zit en niet beschadigd is.

7. Vervangen van pakkingen en afdichtingen

Bij het demonteren en weer monteren van de motor vervangt u de pakkingen en afdichtingen door nieuwe.

Onderhouds- of afstelwerkzaamheden die niet beschreven worden in deze handleiding mogen alleen worden uitgevoerd door een erkende onderhoudsdienst.



OPSLAG APPARATUUR

⚠ WAARSCHUWING:

- Voordat u de brandstof aftapt, moet u de motor stoppen en laten afkoelen.
– Als u dit vergeet, loopt u kans op brandwonden en kan er brand uitbreken.

⚠ LET OP:

- Als u het apparaat voor langere tijd opbergt, dient u alle brandstof uit de tank en de carburateur af te tappen, om het apparaat dan op te bergen op een droge en schone plek.

Tap de brandstof uit de tank en de carburateur af op de volgende wijze:

- (1) Verwijder de brandstoftankdop en tap alle brandstof af.
Als er verontreinigingen achterblijven in de brandstoftank, dient u deze grondig te verwijderen.
- (2) Trek het brandstoffilter met een draad uit de tank via de vulopening.
- (3) Druk op de opvoerpomp totdat alle brandstof daaruit verwijderd is en tap daarna de instromende brandstof uit de tank af.
- (4) Plaats het brandstoffilter weer terug in de brandstoftank en draai de tankdop stevig vast.
- (5) Laat de motor vervolgens lopen tot deze vanzelf stopt.
- (6) Verwijder de bougie en druppel een paar druppels motorolie in het bougiegat.
- (7) Trek voorzichtig aan de starthendel om de motorolie door de motor te verspreiden en breng dan de bougie weer op zijn plaats.
- (8) Bewaar het apparaat rechtstandig, met de handgreep boven.
- (9) Bewaar de afgetapte brandstof in een speciale jerrycan in een goed geventileerde ruimte.

Storing lokaliseren

Probleem	Systeem	Waarnemingen	Oorzaak
Motor start niet of slechts met moeite	Ontstekingsstelsel	Ontstekingsvonk in orde Ontstekingsvonk niet goed	Probleem met de brandstofvoeder of het compressiestelsel, mechanisch defect STOP-schakelaar ingedrukt, bedradingsfout of kortsluiting, bougie of bougiecontact niet goed, defecte ontstekingsseenheid
Problemen met warme start	Brandstof tanken	Brandstoftank gevuld	Onjuist ingestelde chokehendel, carburateur niet in orde, brandstofleiding geknakt of geblokkeerd, vuil in de brandstof
	Compressie	Geen compressie bij aandraaien van de motor	Onderste cilinderpakking gescheurd, krukasafdichting beschadigd, cilinder- of zuigerringen defect of niet goed afsluitende bougie
	Mechanisch defect	Trekstarter werkt niet Tank gevuld, bougie vonkt	Gebroken startveer, gebroken onderdelen in de motor Carburateur vervuild, laten reinigen
Motor start maar slaat af	Brandstof tanken	Tank gevuld	Onjuiste stationairafstelling, carburateur vervuild Brandstoftankontluchting niet in orde, brandstofvoederleiding verstopt, kabel of STOP-schakelaar defect
Onvoldoende prestaties	Diverse systemen kunnen gelijktijdig niet in orde zijn	Onregelmatige stationairloop	Luchtfilter vervuild, carburateur vervuild, knaldemper verstopt, uitlaatpoort van de cilinder verstopt

Onderdeel	Gebruiksduur		Vóór het gebruik	Na smering	Dagelijks (10 gebr. uren)	30 uur	50 uur	200 uur	Uitschakelen/rusten	Betreffende pagina
Motorolie	Inspecteren/reinigen		○							90
	Vervangen						○ ¹			97
Onderdelen vastdraaien (bouten, moeren)	Inspecteren		○							99
Brandstoftank	Reinigen/inspecteren		○							—
	Brandstof aftappen								○ ³	99
Gaskleptrekker/gasklephendel	Werking controleren		○							—
Stopregelhendel/stopschakelaar	Werking controleren		○							93
Lage-snelheid draaiing	Inspecteren/bijstellen				○					94
Luchtfilter	Reinigen				○					98
Bougie/bougiekabel	Inspecteren				○					98
Koelluchtleiding	Reinigen/inspecteren				○					99
Brandstofpijp	Inspecteren				○					99
	Vervangen							⊙ ²		—
Brandstoffilter	Reinigen/vervangen						○			99
Speling tussen luchtinlaatklep en luchtuitblaasklep	Bijstellen							⊙ ²		—
Olieleiding	Inspecteren							⊙ ²		—
Motor laten reviseren								⊙ ²		—
Carburateur	Brandstof aftappen								○ ³	99

*1 Voer de eerste verversing uit na 20 gebruiksuren.

*2 Laat de inspectie na 200 gebruiksuren uitvoeren bij een erkende onderhoudsdienst of een servicecentrum.

*3 Laat de motor gewoon even doorlopen na het legen van de brandstoftank om ook alle brandstof uit de carburateur te verwijderen.

STORINGEN VERHELPEN

Ga eerst zelf na wat er aan de hand zou kunnen zijn voordat u om reparatie verzoekt. Als u ontdekt wat er mis kan zijn, volgt u de herstel instructies voor het apparaat zoals beschreven in deze handleiding. Demonteer geen onderdelen en probeer geen ingrepen uit die niet in de handleiding beschreven staan. Als reparatie nodig is, neemt u contact op met een erkende onderhoudsdienst of uw plaatselijke dealer.

Abnormale toestand	Waarschijnlijke oorzaak (storing)	Oplossing
De motor start niet	Opvoerpomp is niet gebruikt	7 tot 10 maal drukken.
	Trekstarter te traag uitgetrokken	Trek harder aan het koord.
	Onvoldoende brandstof	Brandstof bijtanken.
	Brandstoffilter verstopt	Reinigen
	Brandstofleiding geknakt	Haal de knik uit de brandstofleiding.
	Slechte brandstof	Brandstof van mindere kwaliteit maakt de motor moeilijker te starten. Vervangen door nieuwe. (Aanbevolen verversingstijd: 1 keer per maand)
	Verzopen door teveel brandstof	Zet de gasklephendel van gemiddelde naar hoge snelheid en trek aan de starthendel totdat de motor start. Als de motor nog steeds niet start, verwijdert u de bougie, droogt u de elektroden en brengt u de bougie weer op zijn plaats aan. Daarna start u volgens de instructies.
	Losse bougiedop	Stevig vastmaken
	Vervuilde bougie	Reinigen
	Onjuiste elektrodenafstand bougie	Stel de elektrodenafstand bij
	Iets anders mis met de bougie	Vervangen
	Probleem met de carburateur	Verzoek om inspectie en onderhoud.
	Trekstarter werkt niet	Verzoek om inspectie en onderhoud.
Probleem met de aandrijving	Verzoek om inspectie en onderhoud.	
Motor stopt al gauw Het motortoerental neemt niet toe	Onvoldoende opgewarmd	Laat de motor even warmdraaien
	De chokehendel staat op "CLOSE" terwijl de motor al is warmgedraaid	Zet de hendel in de "OPEN"-stand.
	Brandstoffilter verstopt	Reinigen
	Vervuild of verstopt luchtfilter	Reinigen
	Probleem met de carburateur	Verzoek om inspectie en onderhoud.
	Probleem met de aandrijving	Verzoek om inspectie en onderhoud.
	Losgeraakte gasklep kabel	Stevig vastmaken
De motor stopt niet.	Losgeraakte aansluitstekker	Stevig vastmaken
	Fout in het elektrisch systeem	Verzoek om inspectie en onderhoud.
<div style="border: 1px solid black; padding: 5px; width: fit-content;"> Laat de motor stationair draaien en zet de chokehendel dicht, in de "CLOSE"-stand. </div>		

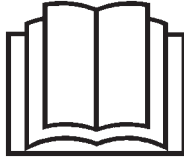
Als de motor wel warm is, maar niet start:

Als u geen oplossing vindt via de bovenstaande controles, draait u het gas ongeveer 1/3 open en start u vervolgens de motor.

Muchas gracias por haber seleccionado el soplador Makita. Nos complace poder ofrecerle el soplador Makita, que es el resultado de un largo programa de desarrollo y muchos años de acumulación de conocimientos y experiencia.

Esos modelos de soplador combinan las ventajas de la tecnología más avanzada con un diseño ergonómico. Son ligeros de peso, útiles, compactos y representan el equipo profesional para una gran variedad de aplicaciones.

Le rogamos que lea, entienda y siga las indicaciones de este folleto, que hace referencia con detalles a los diversos puntos que demuestran su excelente rendimiento. Esto le ayudará a obtener de forma segura los mejores resultados posibles de su soplador Makita.



Contenidos

	Página
Símbolos.....	102
Instrucciones de seguridad.....	103
Declaración de conformidad CE.....	106
Datos técnicos.....	107
Denominación de las partes.....	108
Instrucciones de montaje.....	109
Antes de arrancar el motor.....	110
Operación.....	112
Ajuste del ralentí.....	114
Prevención de congelación del carburador.....	114
Método de operación.....	115
Inspección y mantenimiento.....	117
Almacenamiento.....	119
Solución de problemas.....	121

SÍMBOLOS

Es muy importante que entienda los símbolos siguientes cuando lea este manual de instrucciones.

	ADVERTENCIA/PELIGRO		Mantenga alejados a los transeúntes
	Lea, entienda y siga las indicaciones del manual de instrucciones		Combustible (Gasolina)
	Prohibido		Encendido manual del motor
	No fumar		Parada de emergencia
	No acercar llamas		Primeros Auxilios
	Se deben utilizar guantes de protección		ON/ENCENDIDO
	Mantenga el área de trabajo libre de personas y animales domésticos		OFF/APAGADO
	Utilice protección para los ojos y oídos		Mutilación de los dedos o mano, álabo de la rueda móvil
	Superficies calientes - Quemarán sus dedos o manos		El cabello largo puede quedar enganchado y ocasionar un accidente.

INSTRUCCIONES DE SEGURIDAD

Instrucciones generales

- Para garantizar una operación correcta y segura, el usuario debe leer, entender y seguir este manual de instrucciones para familiarizarse con el manejo del soplador (1). Los usuarios insuficientemente informados se pondrán en riesgo de peligro a sí mismos y a otros debido a un manejo incorrecto.
- Se recomienda prestar el soplador únicamente a gente que demuestre tener experiencia en el uso de sopladores.
- Siempre debe entregar el manual de instrucciones.
- Los que utilizan el soplador por vez primera deben pedir al distribuidor las instrucciones básicas para familiarizarse con el manejo de un soplador.
- No se debe permitir el uso del soplador a niños y personas menores de 18 años. Las personas mayores de 16 años pueden, sin embargo, utilizar la herramienta por motivos de aprendizaje únicamente, bajo supervisión directa de un monitor cualificado.
- Utilice los sopladores con el máximo cuidado y atención.
- Maneje el soplador solamente si se encuentra en buena condición física.
- Realice todo el trabajo concienzuda y cuidadosamente. El usuario debe aceptar su responsabilidad con otras personas.
- No utilice nunca el soplador estando bajo la influencia de alcohol o drogas (2).
- No utilice la unidad cuando esté cansado.
- Conserve estas instrucciones para referencia futura.

Equipo personal de protección

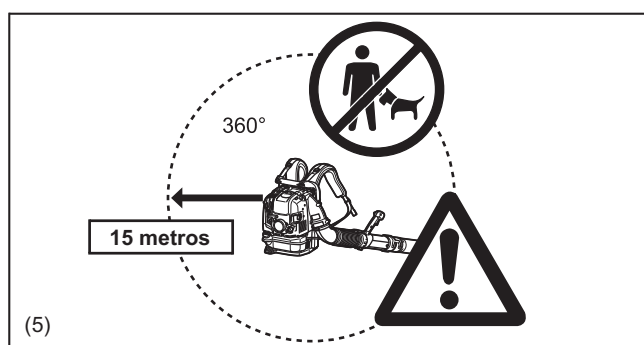
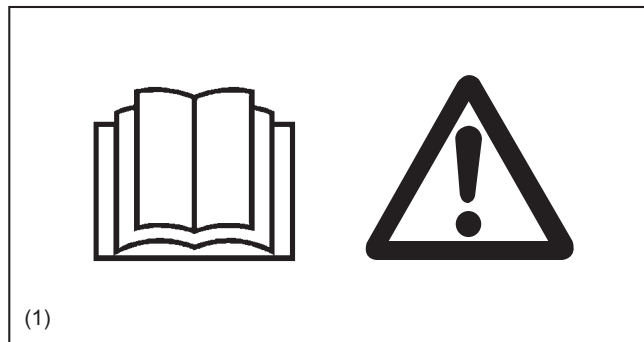
- La ropa utilizada debe ser funcional y adecuada, por ejemplo, debe quedar ceñida, sin causar estorbo. No lleve joyas, ropa o cabello largo que pueda ser atraído hacia la admisión de aire.
- Para evitar heridas en la cabeza, los ojos, las manos o los pies así como para proteger los oídos deberá utilizar el siguiente equipo de protección y ropa de protección durante la operación del soplador.

Preste particular atención a los reglamentos siguientes

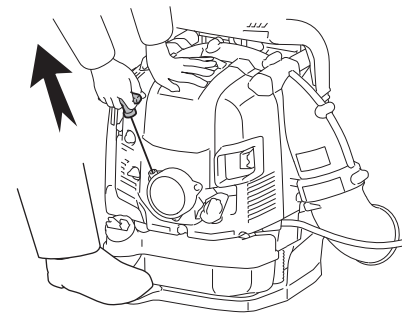
- La ropa deberá ser robusta y ceñida, pero que permita una completa libertad de movimiento. Evite las chaquetas holgadas, pantalones acampanados o pinzados, bufandas, cabello largo suelto o cualquier cosa que pueda ser atraída hacia la admisión de aire. (4) Póngase un mono de trabajo o pantalones largos para proteger las piernas. No se ponga pantalones cortos. (4)
- Generalmente, los productos a motor son ruidosos y su ruido puede dañar sus oídos. Póngase protectores de sonido (tapones de oídos u orejeras) para proteger sus oídos. Las personas que hacen uso continuado o regular del soplador deben comprobar el estado de sus oídos regularmente. (3)
- Se recomienda ponerse guantes cuando se trabaje con el soplador. Póngase zapatos robustos con suelas antideslizantes. (4)
- Es una obligación utilizar protección para los ojos. Aunque la descarga no esté dirigida hacia el operario, durante la operación del soplador pueden ocurrir oscilaciones y rebotes. (3)
- No utilice nunca un soplador a menos que lleve puestas gafas de protección o gafas de seguridad debidamente colocadas con protección superior y lateral adecuada que satisfagan la normativa EN166 y los reglamentos de su país.
- Para reducir el riesgo de sufrir heridas asociadas con la inhalación de polvo, utilice máscara de filtro en lugares polvorientos.

Arranque del soplador

- Asegúrese de que no hay niños u otras personas en un radio de 15 metros (5), preste también atención a cualquier animal en la proximidad del área de trabajo. No utilice nunca el soplador en áreas urbanas.
- Antes de la operación, compruebe siempre que el soplador se puede utilizar de forma segura:
Compruebe la seguridad de la palanca del acelerador. La palanca del acelerador deberá ser comprobada para ver que se acciona suavemente y con facilidad. Compruebe que el bloqueo de la palanca del acelerador funciona debidamente. Compruebe que los mangos están limpios y secos y que el interruptor I-O funciona correctamente. Mantenga los mangos libres de aceite y combustible.

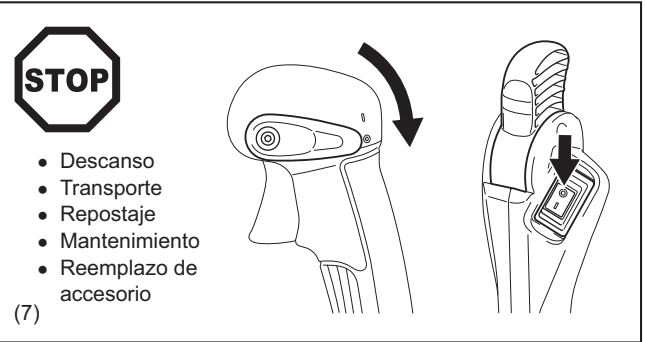


- Arranque el soplador solamente de acuerdo con las instrucciones. No utilice ningún otro método para arrancar el motor. (6)
- Utilice el soplador y las herramientas suministradas solamente para las aplicaciones especificadas.
- Arranque el motor del soplador solamente después de haber completado el montaje de toda la herramienta. La operación de la herramienta solamente está permitida después de haber colocado todos los accesorios apropiados.
- El motor deberá ser apagado inmediatamente si hay algún problema con el motor.
- Cuando trabaje con el soplador, pliegue siempre los dedos firmemente alrededor del mango, manteniendo el mango de control mecido entre sus dedos pulgar e índice. Mantenga la mano en esta posición para tener la máquina bajo control en todo momento. Asegúrese siempre de que el mango de control está en buenas condiciones y libre de humedad, resina, aceite o grasa.



(6)

- Asegúrese siempre de que pisa suelo firme y de que mantiene un buen equilibrio.
- Transporte el soplador de forma correcta sobre ambos hombros durante la operación. No transporte el soplador con una sola correa del hombro. De lo contrario, podrá resultar en heridas personales.
 - Utilice el soplador de tal manera que evite la inhalación de los gases de escape. No tenga nunca el motor en marcha en lugares cerrados (riesgo de sofocación e intoxicación por gas). El monóxido de carbono es un gas inodoro.

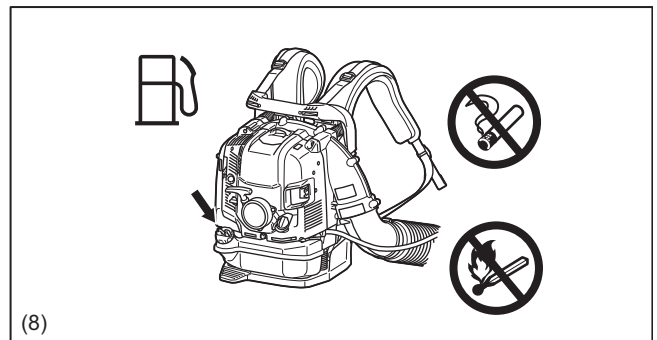


(7)

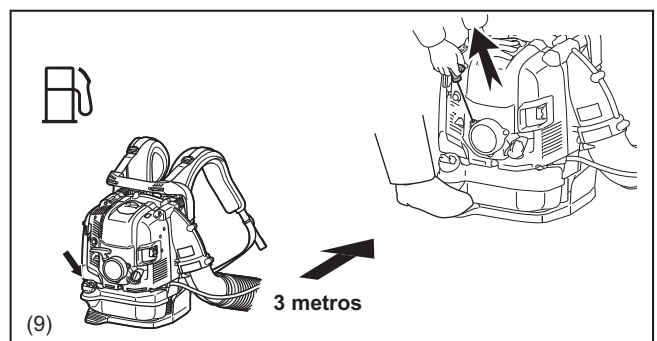
- Asegúrese siempre de que hay una ventilación adecuada.
- Apague el motor cuando descanse o cuando deje el soplador sin atender. Colóquelo en un lugar seguro para evitar daños a otras personas, prender fuego a materiales combustibles, o daños a la máquina.
 - No ponga nunca el soplador caliente sobre hierba seca o cualquier material combustible.
 - Todas las partes protectoras y cubiertas suministradas con la máquina deben utilizarse durante la operación.
 - No haga funcionar nunca el motor con un silenciador de escape defectuoso.
 - Apague el motor durante el transporte. (7)
 - Coloque el soplador de forma segura durante su transporte en automóvil o camión para evitar fugas de combustible.
 - Cuando transporte el soplador, asegúrese de que el depósito de combustible está completamente vacío.
 - Transporte el soplador por el mango de transporte. No arrastre el soplador agarrándolo de la boquilla, tubo u otras partes.
 - Cuando transporte el soplador, doble sus rodillas y asegúrese de no dañar su espalda y región lumbar.

Repostaje

- Apague el motor durante el repostaje (7), manténgase bien alejado de llamas (8) y no fume.
- Evite el contacto de la piel con productos de petróleo. No inhale vapor de combustible. Póngase siempre guantes de protección durante el repostaje. Cámbiese de ropa de protección y lávela a intervalos regulares.
- Tenga cuidado de no derramar combustible ni aceite para evitar contaminar la tierra (protección medioambiental). Limpie el soplador inmediatamente después de que se haya derramado combustible. Deje que las ropas mojadas se sequen antes de depositarlas en un contenedor debidamente cubierto para evitar una combustión espontánea.
- Evite todo contacto del combustible con sus ropas. Cámbiese de ropa inmediatamente si se ha derramado combustible en ellas (riesgo de incendio).
- Inspeccione el tapón del depósito de combustible a intervalos regulares asegurándose de que permanece firmemente apretado.
- Apriete cuidadosamente el tornillo de bloqueo del depósito de combustible. Cambie de lugar para arrancar el motor (separado al menos 3 metros del lugar de repostaje). (9)
- No reposte nunca en cuartos cerrados. Los vapores de combustible se acumulan a nivel del suelo (riesgo de explosiones).
- Transporte y almacene el combustible en recipientes homologados solamente. Asegúrese de que el combustible almacenado no es accesible a los niños.
- No intente repostar un motor caliente o puesto en marcha.



(8)



(9)

Método de operación

- Utilice el soplador solamente en buenas condiciones de luz y visibilidad. Tenga cuidado con las áreas resbaladizas o mojadas, el hielo y la nieve (riesgo de resbalamiento), y los espacios angostos. Asegúrese siempre de que pisa suelo firme.
- No trabaje nunca sobre superficies inestables o terreno con mucho desnivel.
- No trabaje desde escaleras o lugares elevados. De lo contrario podrá resultar en heridas personales.
- Para reducir el riesgo de sufrir heridas personales, no dirija el chorro de aire hacia transeúntes, dado que la alta presión del flujo de aire puede herir los ojos y puede lanzar pequeños objetos a gran velocidad.
- No inserte nunca ningún objeto extraño en la admisión de aire de la máquina ni en la boquilla del soplador. Se dañará el ventilador y podrá ocasionar heridas graves al operario o a transeúntes si el objeto o partes rotas salen lanzadas a gran velocidad.
- Preste atención a la dirección del viento, por ejemplo, no trabaje a contraviento.
- Para reducir el riesgo de tropezar y perder el control, no camine hacia atrás mientras maneja la máquina.
- Apague siempre el motor antes de limpiar o realizar el servicio a la unidad o cuando reemplace partes.
- Descanse de vez en cuando para evitar la pérdida del control a causa de la fatiga. Se recomienda descansar de 10 a 20 minutos cada hora.
- No utilice la máquina cerca de ventanas, etc.
- Para reducir el riesgo de daños por vibración y/o daños a los oídos, utilice la máquina a baja velocidad si es posible y limite el tiempo de operación.
- Utilice la máquina solamente a horas razonables. No utilice el soplador por la mañana o tarde por la noche cuando la gente pueda ser molestada.
- Se recomienda utilizar rastrillos y escobas para aflojar la suciedad antes del soplador.
- Antes de utilizar el soplador en condiciones polvorientas humedezca ligeramente las superficies o utilice rociadores de agua si es necesario.
- Ajuste la longitud de la boquilla del soplador de forma que el flujo de aire actúe cerca del suelo.
- Para reducir los niveles de ruido, limite el número de unidades de equipo utilizadas en cualquier momento.

Después de utilizar sopladores y otros equipos, ¡LIMPIE! Recoja los desechos en contenedores de basura.

Instrucciones de mantenimiento

- Sea respetuoso con el medioambiente. Utilice el soplador con el menor ruido y contaminación posibles. En especial, compruebe el correcto ajuste del carburador.
- Limpie el soplador a intervalos regulares y compruebe que todos los tornillos y tuercas están apretados firmemente.
- No realice nunca el servicio ni almacene el soplador cerca de llamas, chispas, etc. (11).
- Almacene siempre el soplador en un cuarto cerrado bien ventilado y con el depósito de combustible vacío.

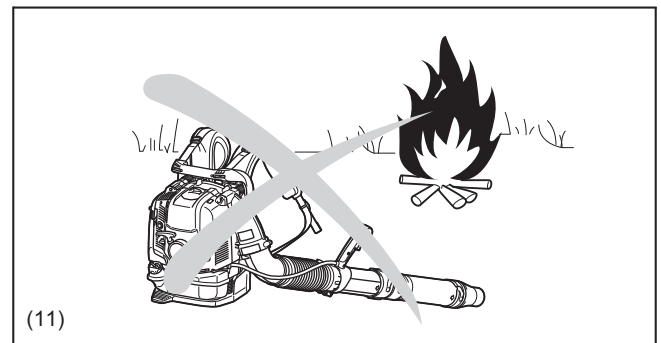
Observe y siga todas las instrucciones de prevención de accidentes aplicables emitidas por las asociaciones gremiales y compañías de seguros. No realice ninguna modificación al soplador porque pondrá en riesgo la seguridad.

La realización del trabajo de mantenimiento o de reparaciones por parte del usuario se limita a las actividades descritas en este manual de instrucciones. Todos los otros trabajos deben ser realizados por agentes de servicio autorizados.

Utilice solamente piezas de repuesto y accesorios genuinos suministrados por Makita.

La utilización de accesorios y herramientas no homologados conlleva un aumento en el riesgo de accidentes o heridas. Makita no aceptará ninguna responsabilidad por los accidentes o daños causados por la utilización de cualquier acoplamiento o accesorio no homologado.

No realice nunca modificaciones al equipo. Podrá ocasionar peligrosos accidentes o heridas personales.

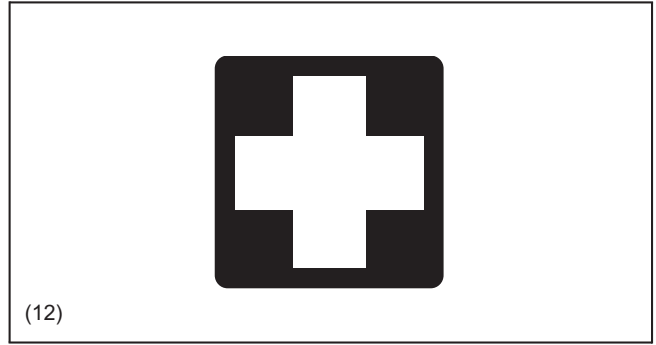


Primeros Auxilios

En caso de accidente asegúrese de que hay disponible un botiquín de primeros auxilios bien abastecido cerca del lugar donde realiza el trabajo. Reemplace inmediatamente cualquier artículo que coja del botiquín de primeros auxilios.

Cuando tenga que pedir ayuda, le rogamos que dé la información siguiente:

- Lugar del accidente
- Qué ha ocurrido
- Número de personas heridas
- Gravedad de las heridas
- Su nombre



Para países de Europa solamente

Declaración de conformidad CE

Makita Corporation como fabricante responsable declara que la(s) siguiente(s) máquina(s) Makita:

Designación de máquina: Soplador a gasolina

Modelo N.º/Tipo: EB7650TH, EB7650WH

Especificaciones: consulte la tabla "DATOS TÉCNICOS"

son producidas en serie y

Cumplen con las directivas europeas siguientes:

2000/14/CE, 2006/42/CE

Y que están fabricadas de acuerdo con las normas o documentos normalizados siguientes:

EN15503

Los documentos técnicos los guarda nuestro representante autorizado en Europa cuya persona es:

Makita International Europe Ltd.,

Michigan Drive, Tongwell, Milton Keynes, Bucks MK15 8JD, Inglaterra

El procedimiento de valoración de conformidad requerido por la Directiva 2000/14/CE ha sido realizado de acuerdo con el anexo V.

Nivel de potencia de sonido medido: 110 dB

Nivel de potencia de sonido garantizado: 111 dB

6. 8. 2013



Tomoyasu Kato
Director

Makita Corporation
3-11-8, Sumiyoshi-cho,
Anjo, Aichi, JAPÓN

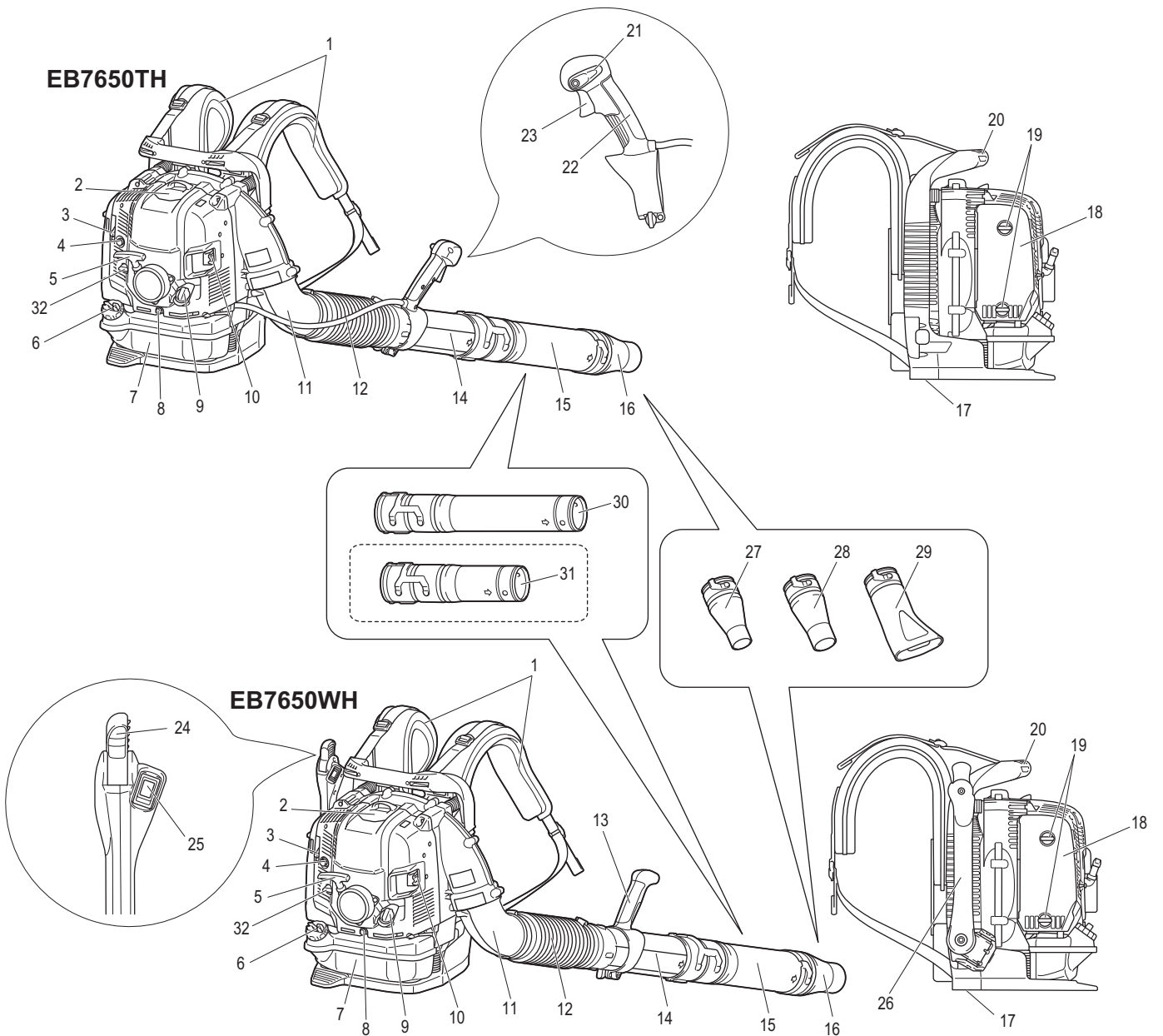
DATOS TÉCNICOS

Modelo					EB7650TH	EB7650WH	
Tipo de acelerador					Acelerador montado en tubo	Acelerador montado en cadera	
Peso (sin el tubo del soplador) (kg)					10,8	11,0	
Dimensiones (sin el tubo del soplador La x An x Al) (mm)					332 x 460 x 480	332 x 510 x 480	
Velocidad del aire	(con tubo largo)	(con boquilla de velocidad)			(m/s)	89	
		(con boquilla de volumen)				81	
		(con boquilla plana)				86	
	(con tubo corto)	(con boquilla de velocidad)				90	
		(con boquilla de volumen)				81	
		(con boquilla plana)				87	
Caudal del volumen de aire	(con tubo largo)	(con boquilla de velocidad)			(m ³ /minuto)	17	
		(con boquilla de volumen)				19	
		(con boquilla plana)				17	
	(con tubo corto)	(con boquilla de velocidad)				17	
		(con boquilla de volumen)				19	
		(con boquilla plana)				17	
Máxima velocidad del motor (con boquilla de velocidad) (min ⁻¹)					7.100		
Velocidad al ralentí (min ⁻¹)					2.800		
Desplazamiento del motor (cm ³)					75,6		
Combustible					Gasolina para automóviles		
Capacidad del depósito de combustible (cm ³)					1.900		
Aceite de motor					Aceite SAE 10W-30 de clasificación API clase SF o superior (aceite de motor de cuatro tiempos para automóviles)		
Volumen del aceite de motor (cm ³)					220		
Carburador (tipo)					Diafragma		
Bujía					NGK CMR6A		
Separación entre electrodos (mm)					0,7 – 0,8		
Vibración según EN15503 2009	Mango derecho	a _{tv eq}	(con tubo largo)	(con boquilla de velocidad)	(m/s ²)	2,5	2,7
				(con boquilla de volumen)		2,3	2,3
				(con boquilla plana)		4,1	4,8
			(con tubo corto)	(con boquilla de velocidad)		3,1	2,7
				(con boquilla de volumen)		2,8	2,3
				(con boquilla plana)		3,7	5,1
	Incertidumbre K					2,2	3,0
	Mango izquierdo (brazo de control)	a _{tv eq}	(con tubo largo)	(con boquilla de velocidad)			0,7
				(con boquilla de volumen)			0,7
				(con boquilla plana)			0,9
			(con tubo corto)	(con boquilla de velocidad)			0,8
				(con boquilla de volumen)			0,7
				(con boquilla plana)			0,9
	Incertidumbre K						0,5
	Nivel promedio de presión de ruido según EN15503: 2009					L _{PA eq} dB(A)	100
						Incertidumbre K dB(A)	1,5
	Nivel promedio de potencia de ruido según EN15503: 2009					L _{WA eq} dB(A)	110
						Incertidumbre K dB(A)	1,0

Notas:

- Debido a nuestro continuado programa de investigación y desarrollo, las especificaciones indicadas aquí están sujetas a cambio sin previo aviso.
- Las especificaciones pueden variar de un país a otro.

DENOMINACIÓN DE LAS PARTES



1. Correa de hombros	9. Tapón de aceite	17. Malla de admisión de aire (en la parte inferior)	25. Interruptor de parada
2. Tapa de la bujía	10. Silenciador	18. Tapa del filtro de aire	26. Brazo de control
3. Palanca de estrangulación	11. Codo	19. Perno (de la tapa del filtro de aire)	27. Boquilla de velocidad
4. Cebador	12. Tubo flexible	20. Mango de transporte	28. Boquilla de volumen
5. Tirador de arranque	13. Conjunto del mango de control	21. Palanca de control de parada	29. Boquilla plana
6. Tapón del depósito de combustible	14. Rótula	22. Mango de control	30. Tubo largo
7. Depósito de combustible	15. Tubo (largo/corto)	23. Gatillo acelerador	31. Tubo corto (accesorio opcional)
8. Perno de drenaje del aceite	16. Boquilla	24. Palanca del acelerador	32. Palanca anticongelante

• Los accesorios estándar pueden variar de un país a otro.

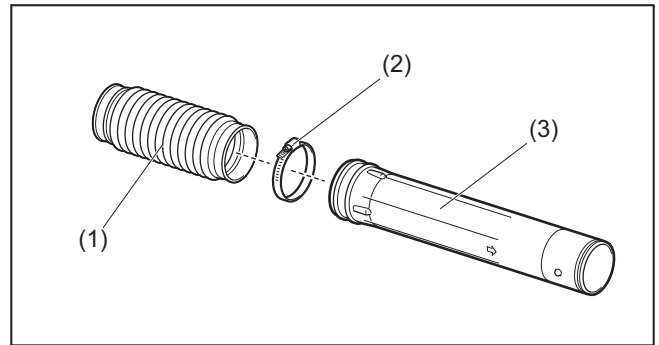
INSTRUCCIONES DE MONTAJE

MONTAJE DE LOS TUBOS DEL SOPLADOR

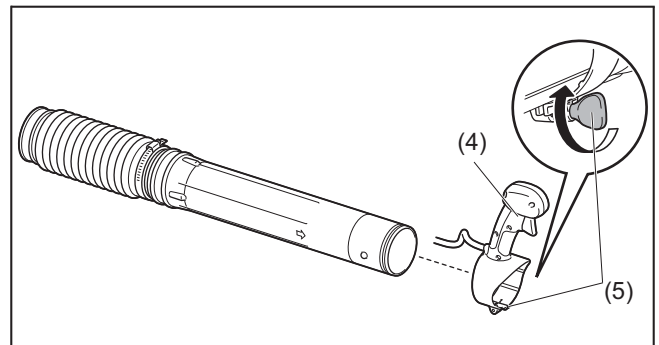
⚠ PRECAUCIÓN:

- Antes de realizar cualquier trabajo en el soplador, pare siempre el motor y extraiga los conectores de bujía de la bujía.
¡Póngase siempre guantes de protección!
- Arranque el soplador solamente después de haberlo montado completamente.
- ¡Póngase siempre guantes de protección!

1. Inserte la rótula (3) en el tubo flexible (1) y apriételos con una abrazadera para manguera (2).



2. Instale el mango de control / conjunto del mango de control (4) en la rótula y apriételos con el tornillo de fijación (5).



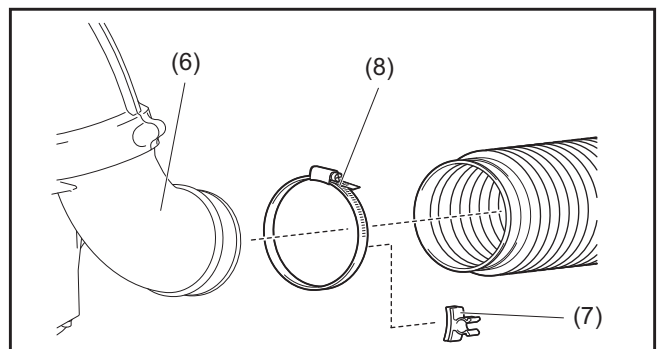
3. Para el modelo con acelerador montado en tubo

Inserte el tubo flexible en el codo (6) del soplador.

Coloque el sujetacables (7) entre la abrazadera para manguera (8) y el codo.

Apriete el sujetacables, tubo flexible y codo con la abrazadera para manguera.

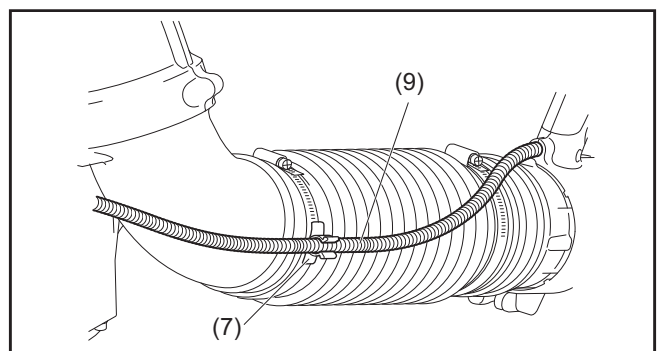
Coloque el cable de control (9) en el sujetacables (7).



Para el modelo con acelerador montado en cadera

Inserte el tubo flexible en el codo (6) del soplador.

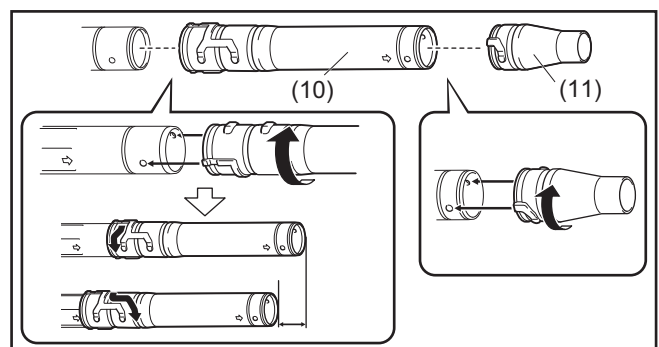
Apriete el tubo flexible y el codo con la abrazadera para manguera (8).



4. Coloque el tubo largo/corto (10) en la rótula. Gire el tubo largo/corto hacia la derecha para bloquearlo en su sitio.

Después coloque la boquilla del soplador (11) en el tubo largo/corto. Gire la boquilla del soplador hacia la derecha para bloquearla en su sitio.

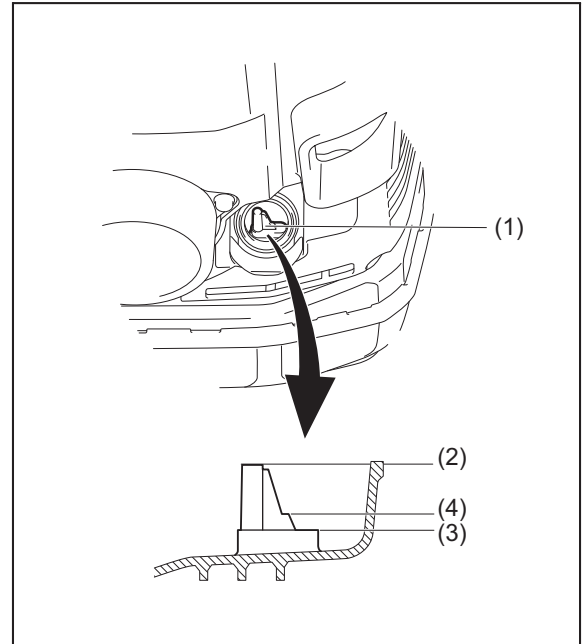
5. Asegúrese de que todas abrazaderas están apretadas.



ANTES DE ARRANCAR EL MOTOR

1. Comprobación y rellenado de aceite de motor

- 1) Realice el procedimiento siguiente cuando el motor esté frío. De lo contrario podrá resultar en quemaduras de piel.
 - Inspección: Ponga el soplador sobre una superficie plana y retire el tapón de aceite. Compruebe el medidor de nivel de aceite (1). Asegúrese de que el nivel de aceite está dentro de las marcas de límite superior (2) e inferior (3). Si el aceite no llega hasta el nivel de 100 ml (4), rellene con aceite nuevo.
 - Llenado de aceite: Ponga el soplador sobre una superficie plana y retire el tapón de aceite. Llene aceite hasta el límite superior del medidor de nivel de aceite.
- 2) En promedio, se debe añadir aceite de motor cada 20 horas de funcionamiento (cada 10 – 15 repostajes).
- 3) Cambie el aceite siempre que se vuelva sucio o cambie de color significativamente. (Consulte “**Reemplazo del aceite de motor**” para ver el procedimiento y la frecuencia del cambio de aceite.)



Aceite recomendado: Aceite genuino de Makita o aceite SAE10W-30 de tipo API grado SF o mejor (aceite de motor de 4 tiempos para automóviles)

Capacidad de aceite: Aproximadamente 0,22 L (220 ml)

NOTA:

- Si no almacena el soplador en posición vertical, el aceite puede fluir por el medidor de nivel hacia el motor y producir una lectura falsa cuando compruebe el nivel de aceite. Esto puede resultar en un rellenado excesivo por error cuando añada aceite de motor. Almacene siempre el soplador en posición vertical.
- Si se excede el nivel de aceite de motor, el aceite podrá derramarse por el respiradero del filtro de aire y ensuciar las partes adyacentes, o podrá aparecer humo blanco debido a un quemado excesivo de aceite.

Reemplazo del aceite “Tapón de aceite”

- Retire el polvo o la suciedad alrededor del orificio de llenado de aceite, y quite el tapón de aceite.
- Mantenga el tapón de aceite que ha quitado libre de arena o polvo. De lo contrario, cualquier resto de arena o polvo adherido al tapón de aceite puede ocasionar una circulación irregular del aceite o un desgaste de las partes del motor, que resultará en problemas.

Después de rellenar aceite

- Limpie con un trapo cualquier aceite derramado.

2. Suministro de combustible

ADVERTENCIA:

- Cuando reposte la unidad, asegúrese de observar las instrucciones siguientes para evitar una ignición o incendio o heridas personales:
 - El suministro de combustible deberá ser realizado en un lugar donde no haya fuego. No lleve nunca el fuego (fumar, etc.) cerca del lugar donde realiza el suministro de combustible.
 - Pare el motor y déjelo enfriar antes de realizar el repostaje.
 - Reposte sobre una superficie plana. No reposte en un lugar inestable o mal ventilado.
 - Reposte con buena luz y visibilidad.
 - Reposte en un lugar abierto y despejado.
 - Abra el tapón del depósito de combustible despacio. El combustible podrá derramarse debido a la presión interna.
 - Tenga cuidado de no derramar el combustible. Cualquier combustible derramado deberá ser limpiado.
 - Realice el suministro de combustible en un lugar bien ventilado.
- Maneje el combustible con cuidado.
 - Si el combustible se adhiere a la piel o entra en los ojos puede ocasionar alergias o irritación. Cuando detecte cualquier anomalía física, consulte con un médico especializado inmediatamente.
- NO ponga aceite en el depósito de combustible.

PERIODO DE ALMACENAMIENTO DEL COMBUSTIBLE

El combustible deberá utilizarse dentro de un periodo de 4 semanas, aunque esté almacenado en un recipiente especial en un lugar bien ventilado y sombreado.

De lo contrario, el combustible podrá deteriorarse en un día.

Almacenamiento de la máquina y rellenado del depósito

- Mantenga la máquina y el depósito en un lugar fresco y libre de la luz del sol directa.
- No deje nunca el combustible en un automóvil.

COMBUSTIBLE

El motor es un motor de cuatro tiempos. Asegúrese de utilizar gasolina para automóviles (gasolina normal o gasolina súper).

Puntos relacionados con el combustible

- No utilice nunca una mezcla de gasolina que contenga aceite de motor. De lo contrario, ocasionará una acumulación de carbón excesiva o problemas mecánicos.
- La utilización de aceite deteriorado podrá ocasionar un arranque irregular.

Cuando vaya a repostar, pare el motor y espere hasta que se enfríe.

MÉTODO DE REPOSTAJE

- Afloje un poco el tapón del depósito para liberar la presión del depósito.
- Quite el tapón del depósito, y reposte al tiempo que deja salir el aire inclinando el depósito de combustible de manera que el orificio de repostaje quede orientado hacia arriba. NO llene nunca el depósito de combustible hasta rebosar.
- Después de repostar, apriete el tapón del depósito firmemente.
- Si hay algún defecto o daño en el tapón del depósito, reemplácelo.
- El tapón del depósito se estropea con el paso del tiempo. Reemplácelo cada dos o tres años.
- NO ponga combustible en el orificio de llenado de aceite.

OPERACIÓN

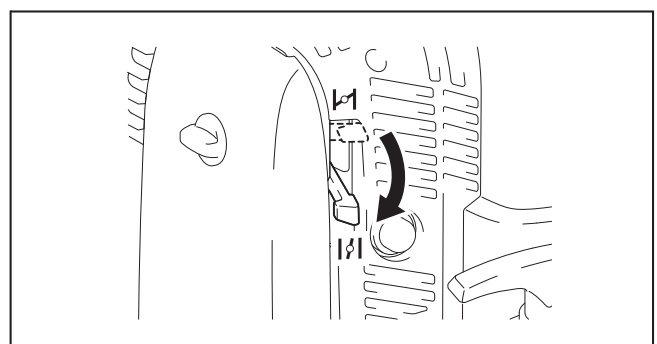
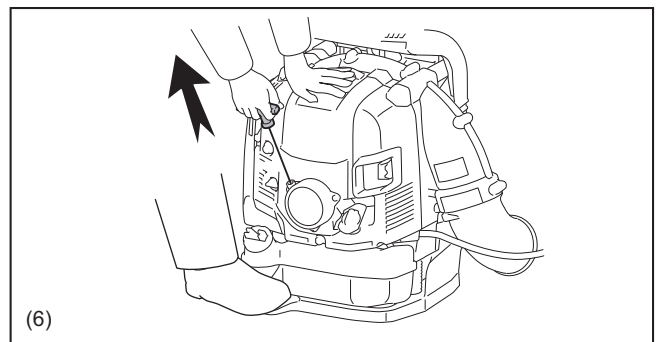
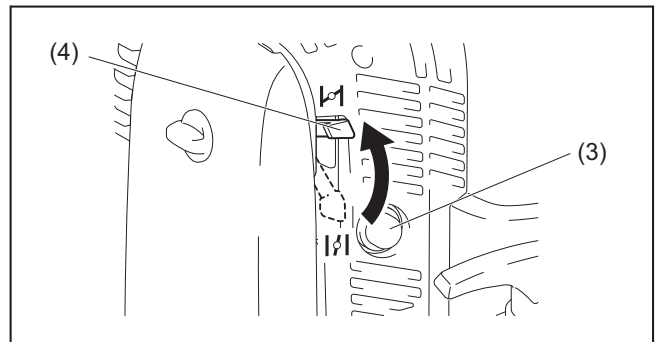
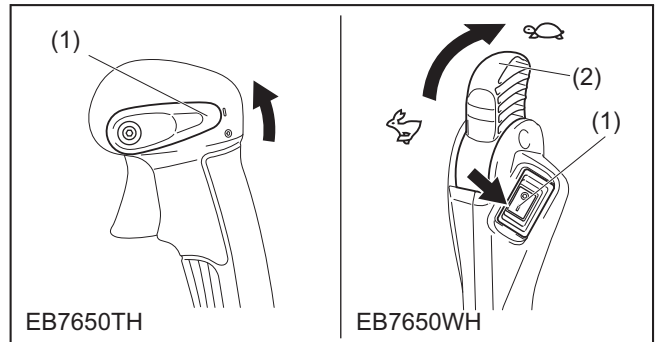
1. Arranque

⚠ ADVERTENCIA:

- No intente nunca arrancar el motor en un lugar donde ha sido suministrado el combustible.
 - Podrá causar ignición o incendio. Cuando arranque el motor, mantenga una distancia de al menos 3 metros.
- El gas de escape del motor es tóxico. No ponga en marcha el motor en un lugar mal ventilado, tal como en un túnel, edificio, etc.
 - Si pone en marcha el motor en un lugar mal ventilado el gas de escape podrá ocasionar una intoxicación.
- En el caso de que después de arrancar sienta cualquier anomalía en el sonido, el olor, o la vibración, pare inmediatamente el motor y realice una inspección.
 - Si sigue operando el motor sin atender tal anomalía, podrá ocurrir un accidente.
- No toque en cubierta del motor cuando esté caliente. De lo contrario podrá resultar en quemaduras de piel.
- Asegúrese de que no hay fugas de combustible antes de arrancar el motor.
- Asegúrese de que el motor se para cuando el interruptor de parada es puesto en la posición "O".

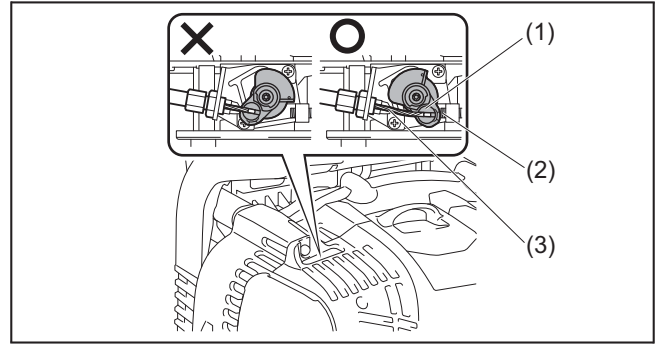
1) Cuando el motor esté frío o después de repostar (arranque en frío)

- (1) Ponga el soplador sobre una superficie plana.
- (2) Para el modelo con acelerador montado en tubo Ponga la palanca de control de parada (1) en la posición "I".
- (2) Para el modelo con acelerador montado en cadera Ponga el interruptor de parada (1) en la posición "I". Y asegúrese de que la palanca del acelerador (2) está puesta en posición de baja velocidad.
- (3) Continúe presionando el cebador (3) hasta que el combustible llegue al cebador.
 - En general, el combustible llegará al carburador tras presionar 7 a 10 veces.
 - Aunque presione el cebador excesivamente, el exceso de gasolina volverá al depósito de combustible.
- (4) Levante la palanca de estrangulación (4) hasta la posición cerrada.
- (5) Pise el pedal con su pie derecho, y sujete la parte superior de la cubierta de la unidad con la mano izquierda para evitar que el motor se mueva.
- (6) Tire despacio de tirador de arranque hasta que sienta compresión.
 - Después tire con fuerza.
 - Nunca tire hasta el límite del cordón.
 - Devuelva el tirador de arranque al alojamiento con cuidado. De lo contrario, el tirador de arranque suelto podrá golpear su cuerpo o no enrollarse debidamente.
- (7) Cuando el motor arranque, baje la palanca de estrangulación hasta la posición abierta.
 - Abra la palanca de estrangulación completamente cuando compruebe la operación del motor.
 - En temperaturas frías o cuando el motor no esté suficientemente caliente, no abra nunca la palanca de estrangulación súbitamente. De lo contrario, el motor se podrá parar.
- (8) Continúe la operación de calentamiento durante 2 a 3 minutos.
- (9) El calentamiento se habrá completado cuando se produzca una aceleración rápida del motor desde pocas rpm hasta todo gas.



NOTA:

- El motor podrá dañarse si la palanca de estrangulación es movida más allá de la posición "CLOSE".
- Si el motor detona y se para, vuelva a poner esta palanca en la posición "OPEN" y tire del tirador de arranque varias veces para arrancar el motor otra vez.
- Si el operario sigue tirando del tirador de arranque varias veces estando la palanca de estrangulación en la posición "CLOSE", es posible que resulte difícil arrancar el motor debido a una anegación de combustible.
- En el caso de una anegación de combustible, quite la bujía y tire del tirador de arranque varias veces rápidamente para descargar cualquier exceso de combustible. Seque el electrodo de la bujía.
- Cuando la válvula del acelerador (1) no vuelva a una posición en contacto con el tornillo de ajuste del ralenti (2) aunque la palanca del acelerador está puesta en la posición de baja velocidad, corrija el enganche del cable de control (3) para asegurarse de que la válvula vuelve debidamente.



2) Cuando el motor esté caliente (arranque en caliente)

- (1) Ponga el motor sobre una superficie plana.
- (2) Presione el cebador varias veces.
- (3) Asegúrese de que la palanca de estrangulación está abierta.
- (4) Pise el pedal con su pie derecho, y sujete la parte superior de la unidad con la mano izquierda para evitar que el motor se mueva.
- (5) Tire despacio de tirador de arranque hasta que sienta compresión. Después tire con fuerza.
- (6) Cuando resulte difícil arrancar el motor, abra la válvula del acelerador 1/3 aproximadamente.

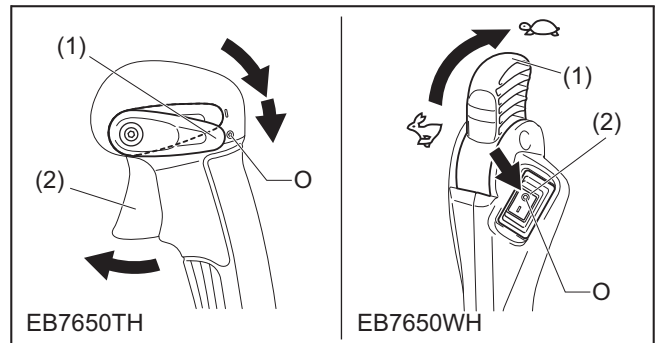
2. Parada

Para el modelo con acelerador montado en tubo

Libere el gatillo acelerador (2) y después ponga la palanca de parada (1) en la posición "O".

Para el modelo con acelerador montado en cadera

Ponga la palanca del acelerador (1) en la posición de baja velocidad para reducir la velocidad del motor. Después ponga el interruptor de parada (2) en la posición "O".



AJUSTE DEL RALENTÍ

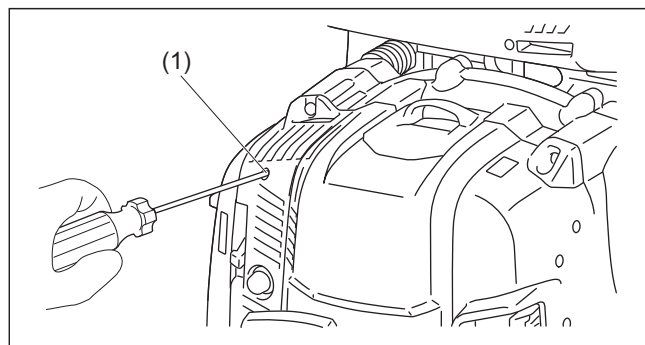
⚠ PRECAUCIÓN:

- El carburador se ajusta en fábrica. No haga nunca ajustes aparte del ajuste de ralentí. Para otros ajustes, pregunte al centro de servicio autorizado por Makita.

Comprobación del giro a baja velocidad

Ajuste el giro a baja velocidad a 2.800 rpm (/min).

- Si es necesario cambiar la velocidad de giro, regule el tornillo del ajuste de ralentí (1), con un destornillador Phillips.
- Gire el tornillo de ajuste hacia la derecha, y aumentará la velocidad el motor. Gire el tornillo de ajuste hacia la izquierda, y disminuirá la velocidad el motor.



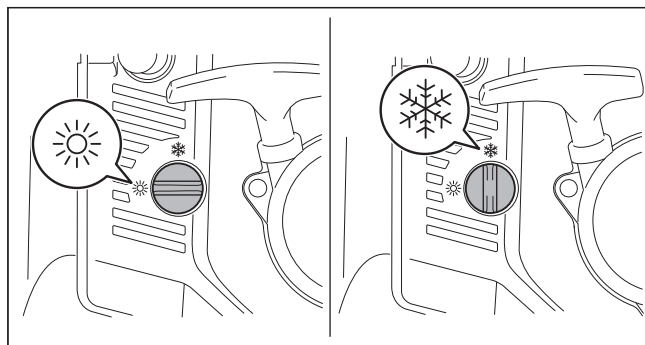
PREVENCIÓN DE CONGELACIÓN DEL CARBURADOR

⚠ PRECAUCIÓN:

- Cuando la temperatura ambiente sea superior a 10°C, vuelva a poner siempre la palanca en la posición normal (marca de sol). De lo contrario, el motor podrá dañarse por recalentamiento.

Cuando la temperatura ambiente sea baja y la humedad sea alta, podrá congelarse vapor de agua dentro del carburador y el motor funcionará inestablemente (congelación del carburador). Cambie el ajuste de la palanca anticongelante de la forma siguiente si es necesario.

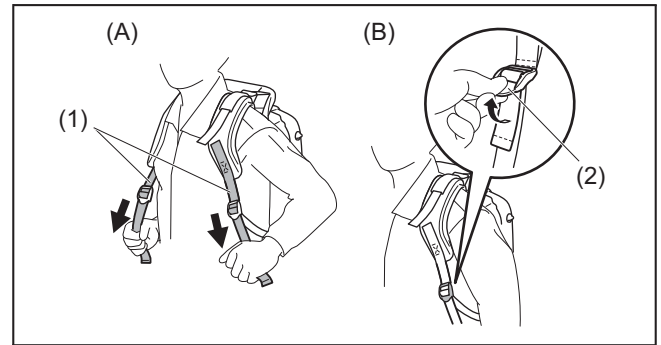
- Temperatura ambiente mas alta de 10°C: Gire la palanca a la posición normal (marca de sol).
- Temperatura ambiente igual o inferior a 10°C: Gire la palanca a la posición anticongelación (marca de nieve).



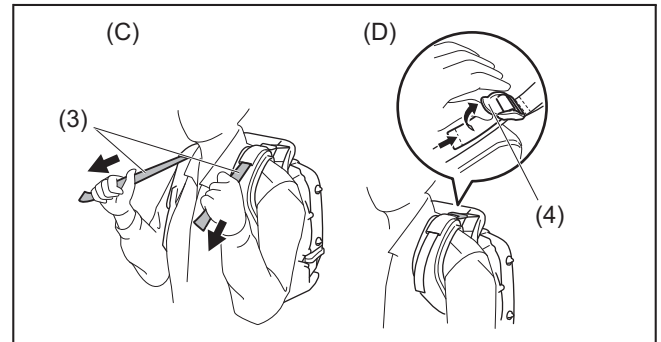
MÉTODO DE OPERACIÓN

1. Ajuste de las correas de los hombros

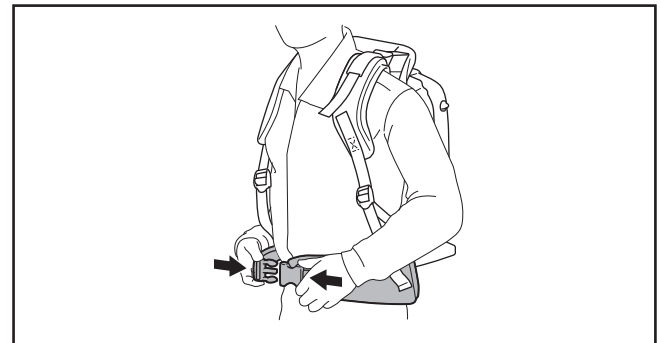
Ajuste las correas de los hombros (1) a una longitud que le resulte cómoda para trabajar mientras transporta el soplador. Para apretar (A) las correas, tire de los extremos de las correas hacia abajo. Para aflojar (B) las correas, empuje hacia arriba los extremos de los fijadores (2).



Tire de las correas estabilizadoras (3) hasta que no quede espacio entre su espalda y la carcasa del soplador. Para apretar (C) las correas, tire de los extremos de las correas hacia abajo. Para aflojar (D) las correas, empuje hacia arriba los extremos de los fijadores (4).



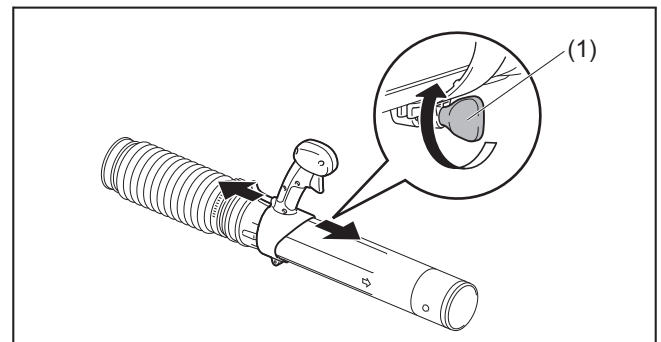
El cinturón de cadera (accesorio opcional) permite al operario transportar la herramienta más establemente.



2. Ajuste de la palanca de control

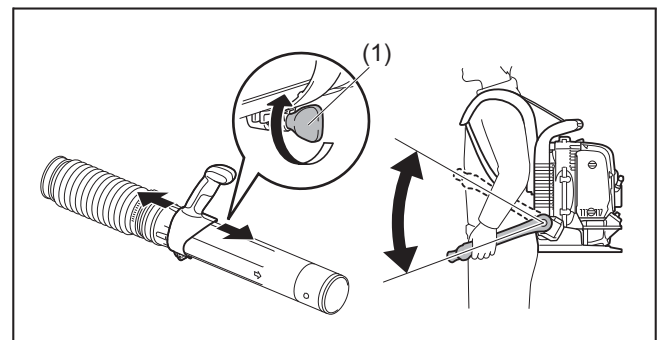
Para el modelo con acelerador montado en tubo

Mueva el mango de control a lo largo del tubo de rótula hasta la posición más cómoda. Después apriete el mango de control con el tornillo (1).



Para el modelo con acelerador montado en cadera

Mueva el conjunto del mango de control a lo largo de la rótula hasta la posición más cómoda. Después apriete el mango con el tornillo (1). Ajuste el ángulo del brazo de control para obtener una operación cómoda.



3. Operación del soplador

- 1) Mientras utiliza el soplador, ajuste el gatillo acelerador / palanca del acelerador de forma que la fuerza del viento sea apropiada para el lugar de trabajo y las condiciones.
- 2) Ajuste de la velocidad del motor.

Para el modelo con acelerador montado en tubo

La velocidad del motor aumenta apretando el gatillo acelerador (1). Para reducir la velocidad del motor, afloje el gatillo acelerador.

Ajuste de la velocidad del motor con la función de control de crucero:

La función de control de velocidad de crucero permite al operario mantener una velocidad del motor constante sin accionar el gatillo acelerador.

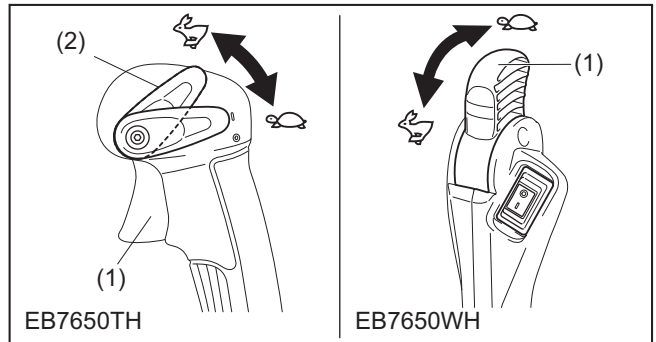
Para aumentar la velocidad del motor, gire la palanca de control de parada (2) a la posición de alta velocidad.

Para reducir la velocidad del motor, gire la palanca de control de parada a la posición de baja velocidad.

Para el modelo con acelerador montado en cadera

Para aumentar la velocidad del motor, gire la palanca del acelerador (1) a la posición de alta velocidad.

Para reducir la velocidad del motor, gire la palanca del acelerador a la posición de baja velocidad.



TRANSPORTE Y ALMACENAMIENTO DEL SOPLADOR

⚠ PRECAUCIÓN:

- Cuando transporte el soplador, asegúrese de parar el motor.

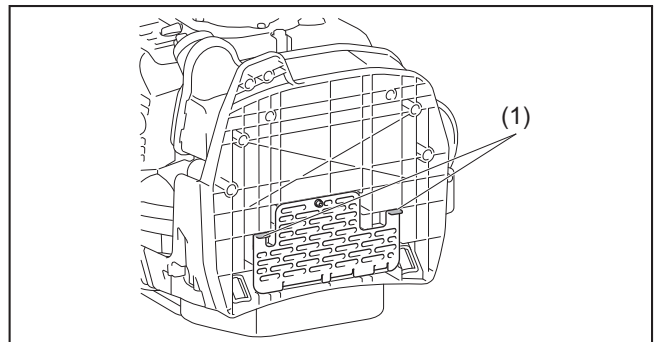
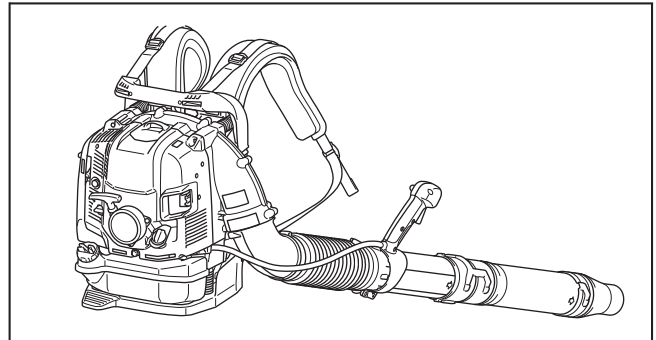
No se sienta ni se ponga encima del soplador, ni ponga un objeto pesado encima de él. Podrá dañar la herramienta.

Mantenga el soplador en posición vertical siempre que lo transporte o almacene.

Si lo transporta o almacena en una posición que no sea vertical podrá ocasionar un derrame de aceite dentro del motor del soplador. Esto podrá resultar en fugas de aceite y humo blanco del quemado de aceite, y el filtro de aire podrá ensuciarse con aceite.

No arrastre el soplador cuando lo transporte. De lo contrario, la carcasa del soplador o la malla de entrada de aire podrán dañarse, y ocasionar óxido.

* En la malla de entrada de aire hay contactos a tierra (1) que descargan la electricidad estática a tierra.



INSPECCIÓN Y MANTENIMIENTO

⚠ PRECAUCIÓN:

- Antes de realizar una inspección o mantenimiento, pare el motor y deje que se enfríe. Quite la bujía y el tapón de la bujía.
 - De lo contrario, el operario podrá sufrir quemaduras o heridas graves a causa de un arranque imprevisto.
- Después de la inspección o el mantenimiento, asegúrese de que están montadas todas las partes. Después, proceda con la operación.

1. Reemplazo del aceite de motor

El aceite de motor deteriorado acortará la vida de servicio de las partes deslizantes y rotativas en gran medida. Asegúrese de comprobar el periodo y la cantidad de reemplazo.

⚠ PRECAUCIÓN:

- La unidad principal del motor y el aceite de motor seguirán calientes justo después de haber parado el motor. En el reemplazo del aceite, asegúrese de que la unidad principal del motor y el aceite de motor están suficientemente fríos. De lo contrario, podrá perdurar el riesgo de escaldarse. Deje pasar tiempo suficiente después de parar el motor para que el aceite de motor vuelva al depósito de aceite con objeto de asegurar una lectura precisa del indicador de nivel de aceite.
- Si rellena aceite por encima del límite, el aceite podrá ensuciarse o podrá prender fuego con humo blanco.

Intervalo de reemplazo: Después de las primeras 20 horas de funcionamiento y posteriormente cada 50 horas de funcionamiento.

Aceite recomendado: Aceite SAE10W-30, clasificación API clase SF o superior (aceite de motor de 4 tiempos para automóviles)

Procedimiento para cambiar el aceite

Siga estos pasos cuando cambie el aceite:

- (1) Ponga el soplador en el suelo sobre una superficie plana.
- (2) Ponga un recipiente para aceite de desecho debajo del orificio de drenaje (1) para recoger el aceite a medida que se drena. El recipiente deberá tener una capacidad de al menos 220 ml para poder recoger todo el aceite.
- (3) Afloje el perno de drenaje del aceite (2) para dejar que el aceite se drene. Tenga cuidado de no dejar que el aceite entre en el depósito de combustible u otras partes.

⚠ PRECAUCIÓN:

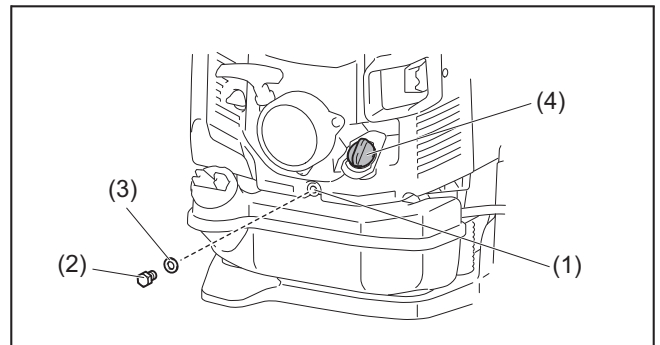
- Tenga cuidado de no perder la junta (arandela de aluminio) (3). Ponga el perno de drenaje del aceite (2) en un lugar donde no acumule suciedad.
- (4) Retire el tapón de aceite (4). (Retirando el tapón de aceite (4) podrá drenar el aceite fácilmente).

⚠ PRECAUCIÓN:

- Asegúrese de poner el tapón de aceite (4) en un lugar donde no acumule suciedad.
- (5) A medida que el nivel del aceite que está siendo drenado disminuya, incline el soplador hacia el lado de drenaje para que el aceite se drene completamente.
 - (6) Después de que el aceite se haya drenado completamente, apriete el perno de drenaje del aceite (2) firmemente. Si el perno no está apretado firmemente, podrá resultar en fugas de aceite.

⚠ PRECAUCIÓN:

- No se olvide de volver a poner la junta (arandela de aluminio) (3) cuando vuelva a colocar el tapón de drenaje.
- (7) La adición de aceite durante el procedimiento de cambio del aceite se realiza de la misma manera que en el procedimiento explicado por separado para añadir aceite siempre que el nivel sea insuficiente. Añada siempre aceite rellenando por la abertura bajo el tapón de aceite.
(Nivel de aceite especificado: Aproximadamente 220 ml)
 - (8) Después de rellenar con aceite, apriete el tapón de aceite (4) firmemente para evitar fugas de aceite.



Puntos relacionados con el reemplazo del aceite de motor

- No deseche nunca el aceite de motor reemplazado en la basura, en la tierra ni en una alcantarilla. El desecho del aceite está regulado por la ley. Al desechar el aceite, siga siempre las leyes y reglamentos pertinentes. En caso de cualquier duda, póngase en contacto con el agente de servicio autorizado.
- El aceite se deteriorará aunque se mantenga sin utilizar. Realice la inspección y el reemplazo a intervalos regulares (reemplace con aceite nuevo cada 6 meses).

2. Limpieza del filtro de aire



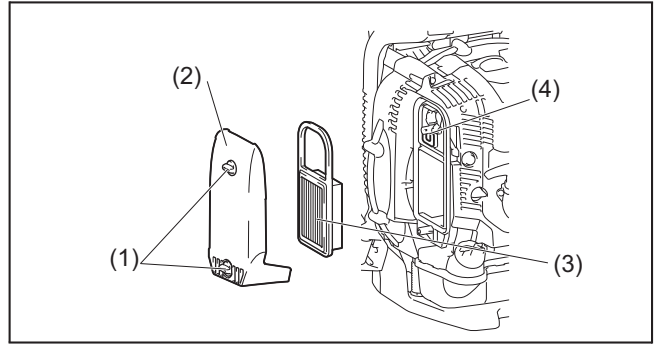
**ADVERTENCIA: PRODUCTOS INFLAMABLES
ESTRICTAMENTE PROHIBIDOS**

Intervalo de limpieza e inspección: Diariamente (cada 10 horas de funcionamiento)

- (1) Afloje los pernos (1).
- (2) Retire la tapa del filtro de aire (2).
- (3) Retire el elemento (3) y limpie cualquier suciedad del elemento con un cepillo.

Nota:

- El elemento es de tipo seco y no deberá dejar que se moje. No lo lave nunca con agua.
- (4) Reemplace el elemento con uno nuevo si está dañado o muy sucio.
 - (5) Limpie cualquier resto de aceite que entre en contacto con el respiradero (4) con un trapo o paño.
 - (6) Instale el elemento en la caja del filtro de aire.
 - (7) Coloque la tapa del filtro de aire y apriete el perno.



AVISO:

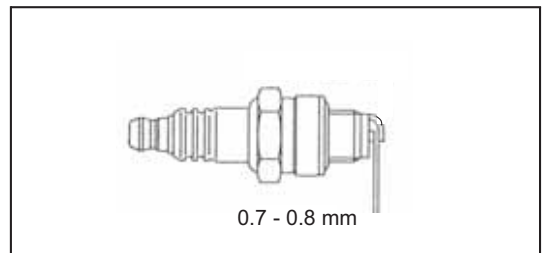
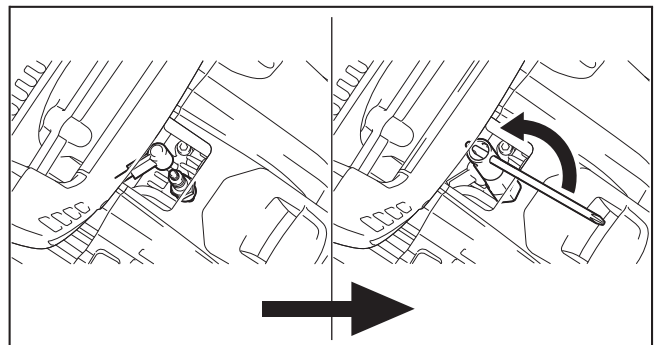
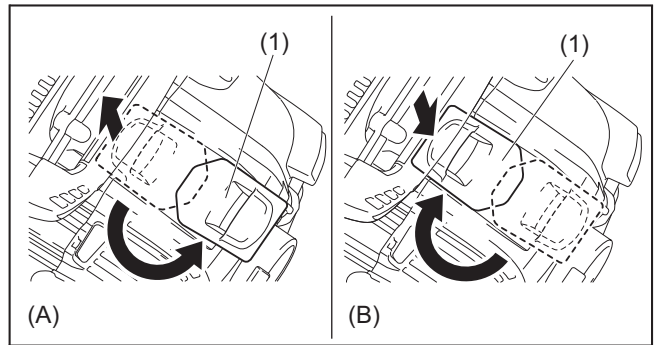
- Limpie el elemento varias veces al día, si se adhiere polvo excesivo en él.
- Si continúa la operación sin haber limpiado el aceite del elemento, el aceite en el filtro de aire podrá salirse, resultando en contaminación de aceite.

3. Comprobación de la bujía

⚠ PRECAUCIÓN:

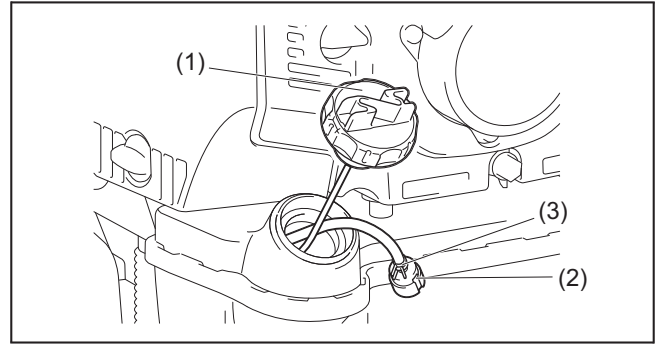
- No toque la bujía mientras el motor está en marcha. De lo contrario podrá resultar en una descarga eléctrica.
- Ponga la palanca de control de parada/interruptor de parada en la posición OFF "O".
- Compruebe el cable de la bujía regularmente. Si está dañado o rasgado, reemplácelo. De lo contrario podrá resultar en una descarga eléctrica.
- Cuando quite la bujía, limpie la bujía y la culata del cilindro primero, de forma que no entre suciedad, arena, etc., en el cilindro.
- Retire la bujía después de que el motor se haya enfriado para evitar dañar el orificio roscado en el cilindro.
- Instale la bujía debidamente en el orificio roscado. Si la instala en ángulo, el orificio roscado en el cilindro se dañará.

- (1) Abertura/cierre de la tapa de la bujía
Para abrir (A) la tapa de la bujía (1), levántela y gírela media vuelta. Para cerrar (B) la tapa de la bujía, gírela media vuelta, y presione alrededor de la parte dentada.
- (2) Para retirar la bujía
Utilice la caja de herramientas adjunta para retirar o instalar la bujía.
- (3) Comprobación de la bujía
La separación entre los electrodos de la bujía es de 0,7 a 0,8 mm. Ajuste la separación correcta cuando esta sea demasiado ancha o estrecha.
Limpie completamente y reemplace la bujía si ha acumulado carbón o está contaminada.
- (4) Reemplazo de la bujía
Para el reemplazo, utilice NGK-CMR6A.



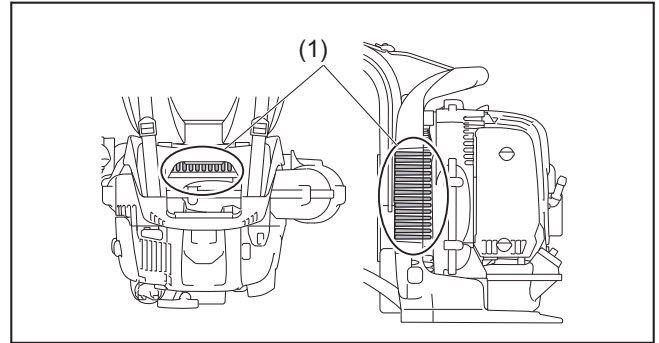
4. Limpieza del filtro de combustible

- Un filtro de combustible atascado puede ocasionar dificultad al arrancar o no poder aumentar la velocidad del motor.
- Compruebe el filtro de combustible regularmente como sigue:
 - (1) Retire el tapón del depósito de combustible (1), drene el combustible para vaciar el depósito. Compruebe el interior del depósito para ver si hay materias extrañas. Si las hay, limpie tales materias extrañas.
 - (2) Extraiga el filtro de combustible (2) con un alambre a través del orificio de llenado de aceite.
 - (3) Si la superficie del filtro de combustible está contaminada, límpiela con gasolina. La gasolina utilizada para la limpieza deberá ser desechada de acuerdo con el método designado por cada municipio. Si el filtro está muy contaminado deberá reemplazarse.
 - (4) Después de comprobar, limpiar o reemplazar, inserte el filtro de combustible en el tubo de combustible y fíjelo con la abrazadera para manguera (3). Vuelva a colocar el filtro de combustible en el depósito de combustible y apriete el tapón del depósito de combustible firmemente.
- Asegúrese de que el depósito de combustible no está dañado.



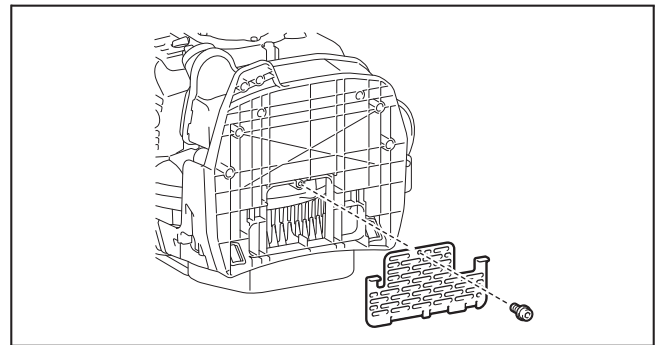
5. Inspección de pernos, tuercas y tornillos

- Vuelva a apretar los tornillos, tuercas, etc., flojos.
- Compruebe si hay fugas de combustible o aceite.
- Reemplace las partes dañadas con unas nuevas para una operación segura.



6. Limpieza de las partes

- Mantenga el motor limpio limpiándolo con un trapo.
- Mantenga las aletas del cilindro libres de polvo o suciedad. El polvo o la suciedad adherido a las aletas causarán el agarrotamiento del motor.
- El aire soplado entra por la abertura de entrada de aire y por la malla de admisión de aire (1). Cuando el flujo de aire disminuya durante la operación, pare el motor e inspeccione la abertura de entrada de aire y la malla de admisión de aire por si hay algún bloqueo. Límpiela si es necesario.
- Compruebe la malla de admisión de aire en la parte inferior. Retire el tornillo y la malla de admisión de aire. Compruebe si hay algún bloqueo. Límpiela si es necesario.
- Un bloqueo así puede ocasionar recalentamiento y dañar el motor.



⚠ ADVERTENCIA:

- No utilice nunca el soplador sin la malla del soplador. Antes de cada utilización, compruebe que la malla está colocada en su sitio y está libre de cualquier daño.

7. Reemplazo de las juntas y empaquetaduras

Reemplace las juntas y empaquetaduras si desmonta el motor. Cualquier mantenimiento de trabajo de ajuste que no esté incluido y descrito en este manual deberá ser realizado solamente por un agente de servicio autorizado.

ALMACENAMIENTO

⚠ ADVERTENCIA:

- Cuando vaya a drenar el combustible, pare el motor y espere hasta que se enfríe.
– Si no lo hace podrá ocasionar quemaduras o un incendio.

⚠ PRECAUCIÓN:

- Cuando almacene la máquina durante largo tiempo, drene todo el combustible del depósito de combustible y carburador, y manténgala en un sitio seco y limpio.

Drene el combustible del depósito de combustible y el carburador de acuerdo con el procedimiento siguiente:

- (1) Retire el tapón del depósito de combustible, y drene el combustible completamente.
Si queda cualquier materia extraña en el depósito de combustible, elimínela completamente.
- (2) Extraiga el filtro de combustible del orificio de llenado utilizando un alambre.
- (3) Presione el cebador hasta que el combustible sea drenado de allí, y drene el combustible que llega al depósito de combustible.
- (4) Vuelva a poner el filtro en el depósito de combustible, y apriete el tapón del depósito de combustible firmemente.
- (5) Después, continúe utilizando el motor hasta que se pare.
- (6) Retire la bujía, y deje caer varias gotas de aceite de motor a través del orificio de la bujía.
- (7) Tire del tirador de arranque con cuidado de manera que el aceite de motor se extienda por el motor, y coloque la bujía.
- (8) Mantenga la máquina con su mango hacia arriba.
- (9) Mantenga el combustible drenado en un recipiente especial en un lugar bien ventilado y a la sombra.

Localización de problemas

Fallo	Sistema	Observación	Causa
El motor no arranca o lo hace con dificultad	Sistema de encendido	Hay chispa de encendido	Fallo en suministro de combustible o sistema de compresión, defecto mecánico
		No hay chispa de encendido	El interruptor de parada está accionado, fallo de cableado o cortocircuito, bujía o conector defectuosos, modulo de encendido defectuoso
	Suministro de combustible	Depósito de combustible lleno	Posición incorrecta del estrangulador, carburador defectuoso, línea de suministro de combustible doblada o bloqueada, combustible sucio.
	Compresión	No hay compresión cuando está detenido	La junta inferior del cilindro está defectuosa, los retenes del cigüeñal están dañados, el cilindro o los segmentos del pistón están defectuosos o la empaquetadura de la bujía es incorrecta
Problemas de arranque en caliente	Fallo mecánico	El arrancador no funciona	El muelle del arrancador está roto, hay partes rotas dentro del motor
		Depósito lleno, hay chispa de encendido	El carburador está contaminado, hay que limpiarlo
El motor arranca pero se para enseguida	Suministro de combustible	Depósito lleno	Ajuste de ralenti incorrecto, carburador contaminado
Rendimiento insuficiente	Varios sistemas pueden verse afectados simultáneamente	Ralenti del motor deficiente	La ventilación del depósito de combustible es defectuosa, la línea de suministro de combustible está interrumpida, el cable o el interruptor de parada están defectuosos Filtro de aire contaminado, carburador contaminado, silenciador obturado, conducto de escape en el cilindro obturado

Elemento	Tiempo de operación								
		Antes de la operación	Después de la lubricación	Diariamente (10 horas)	30 horas	50 horas	200 horas	Parada/reposo	Página correspondiente
Aceite de motor	Inspección/limpieza	○							110
	Reemplazo					○ ¹			117
Apretado de las partes (pernos, tuercas)	Inspección	○							119
Depósito de combustible	Limpieza/inspección	○							—
	Drenaje del combustible							○ ³	119
Gatillo acelerador/palanca del acelerador	Comprobación del funcionamiento		○						—
Palanca de control de parada/interruptor de parada	Comprobación del funcionamiento		○						113
Giro a baja velocidad	Inspección/ajuste			○					114
Filtro de aire	Limpieza			○					118
Bujía/cable de la bujía	Inspección			○					118
Conducto de aire de refrigeración	Limpieza/inspección			○					119
Tubo de combustible	Inspección			○					119
	Reemplazo							◎ ²	—
Filtro de combustible	Limpieza/reemplazo					○			119
Separación entre la válvula de admisión de aire y la válvula de descarga de aire	Ajuste							◎ ²	—
Tubo de aceite	Inspección							◎ ²	—
Reacondicionamiento del motor								◎ ²	—
Carburador	Drenaje del combustible							○ ³	119

*1 Realice el reemplazo inicial después de la 20 horas de operación.

*2 Para la inspección tras 200 horas de funcionamiento, solicítela al agente de servicio autorizado o a un taller de máquinas.

*3 Después de vaciar el depósito de combustible, ponga en marcha el motor y drene el combustible del carburador.

SOLUCIÓN DE PROBLEMAS

Antes de solicitar reparaciones, compruebe el problema usted mismo. Si encuentra alguna anomalía, controle su máquina de acuerdo con la descripción de este manual. No manipule ni desmonte nunca ninguna pieza de forma contraria a la descripción. Para reparaciones, póngase en contacto con el agente de servicio autorizado o con el distribuidor local.

Estado de la anomalía	Causa probable (mal funcionamiento)	Remedio
El motor no arranca	El cebador no funciona	Presione 7 a 10 veces.
	Baja velocidad de tracción del cordón del arrancador	Tire con fuerza.
	Falta de combustible	Suministre combustible.
	Filtro de combustible obturado	Limpieza
	Tubo de combustible doblado	Enderece el tubo de combustible
	Combustible deteriorado	El combustible deteriorado dificulta el arranque. Reemplace con uno nuevo. (Reemplazo recomendado: 1 mes)
	Excesiva succión de combustible	Coloque la palanca del acelerador a una velocidad media o alta, y tire del tirador de arranque hasta arrancar el motor. Si el motor no arranca todavía, quite la bujía, seque el electrodo, y vuelva a montarlos como estaban originalmente. Después, arranque de la forma especificada.
	Tapón de la bujía quitado	Colóquelo firmemente
	Bujía contaminada	Limpieza
	Separación anormal entre los electrodos de la bujía	Ajuste la separación
	Otras anomalías de la bujía	Reemplazo
	Carburador anormal	Solicite la inspección y mantenimiento.
	No se puede tirar del tirador de arranque	Solicite la inspección y mantenimiento.
	Sistema de transmisión anormal	Solicite la inspección y mantenimiento.
El motor se para enseguida La velocidad del motor no aumenta	Calentamiento insuficiente	Realice la operación de calentamiento
	La palanca de estrangulación está puesta en "CLOSE" aunque el motor está caliente	Póngala en "OPEN"
	Filtro de combustible obturado	Limpieza
	Filtro de aire contaminado u obstruido	Limpieza
	Carburador anormal	Solicite la inspección y mantenimiento.
	Sistema de transmisión anormal	Solicite la inspección y mantenimiento.
	Cable del acelerador suelto	Colóquelo firmemente
El motor no se para. ↓ Haga funcionar el motor al ralentí, y ponga la palanca de estrangulación en "CLOSE".	Conector suelto	Colóquelo firmemente
	Sistema eléctrico anormal	Solicite la inspección y mantenimiento.

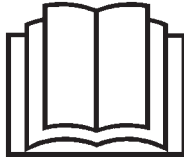
Cuando el motor no arranque después de la operación de calentamiento:

Si no se encuentra anomalía en los elementos comprobados, abra el acelerador 1/3 aproximadamente y arranque el motor.

Agradecemos a sua escolha do soprador Makita. Temos o prazer de lhe poder proporcionar a utilização do soprador Makita, que é o resultado de um longo programa de desenvolvimento e de muitos anos de conhecimentos e experiências.

Estes modelos de soprador combinam as vantagens da tecnologia de ponta com um desenho ergonómico. Têm baixo peso, são maleáveis, compactos e representam um equipamento profissional para uma grande variedade de aplicações.

Leia, compreenda e siga as instruções desta brochura, que se referem em detalhe aos vários pontos que irão demonstrar o seu desempenho excepcional. Esta vai ajudá-lo a obter em segurança os melhores resultados possíveis do seu soprador Makita.



Índice

	Página
Símbolos.....	122
Instruções de segurança	123
Declaração de conformidade da CE.....	126
Dados técnicos	127
Designação das peças	128
Instruções de montagem	129
Antes de pôr o motor a trabalhar	130
Funcionamento.....	132
Ajuste do ralenti.....	134
Prevenção de congelação do carburador.....	134
Método de funcionamento	135
Inspeção e manutenção	137
Armazenamento	139
Deteção e resolução de problemas.....	141

SÍMBOLOS

É muito importante compreender os seguintes símbolos durante a leitura deste manual de instruções.

	AVISO/PERIGO		Mantenha as pessoas presentes afastadas
	Ler, compreender e seguir o manual de instruções		Combustível (gasolina)
	Proibido		Arranque manual do motor
	Não fumar		Paragem de emergência
	Não fazer chamas		Primeiros socorros
	É necessário usar luvas de proteção		LIGADO/ARRANQUE
	Manter pessoas e animais afastados da área de funcionamento		DESLIGAR/PARAR
	Utilizar proteção ocular e auditiva		Perigo de cortar dedos ou a mão, lâmina do impulsor
	Superfícies quentes - queimaduras nos dedos ou mãos		O cabelo comprido pode provocar acidentes por ficar enredado.

INSTRUÇÕES DE SEGURANÇA

Instruções gerais

- Para garantir o funcionamento correto e seguro, o utilizador tem de ler, compreender e seguir este manual de instruções para garantir a familiaridade com o manuseamento do soprador (1). Os utilizadores que não receberam informações suficientes podem colocar outras pessoas e a si próprio em risco devido a manuseamento incorreto.
- Recomenda-se emprestar o soprador apenas a pessoas que provaram ter experiência com sopradores.
- Entregue sempre o manual de instruções.
- Os utilizadores que utilizem o soprador pela primeira vez devem pedir instruções básicas no concessionário para se familiarizarem com o manuseamento de um soprador.
- As crianças e jovens com menos de 18 anos não devem operar o soprador. No entanto, as pessoas com mais de 16 anos podem utilizar a ferramenta apenas para receberem formação sempre mediante a supervisão direta de um formador qualificado.
- A utilização de sopradores requer o máximo cuidado e atenção.
- Opere o soprador apenas se estiver em boas condições físicas.
- Realize todos os trabalhos com consciência e cuidado. O utilizador tem de aceitar a responsabilidade pelos outros.
- Nunca utilize o soprador sob a influência do álcool ou drogas (2).
- Não utilize a unidade se estiver cansado.
- Guarde estas instruções para consulta futura.

Equipamentos de proteção pessoal

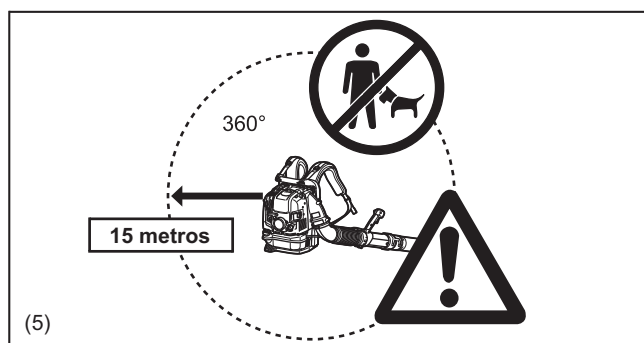
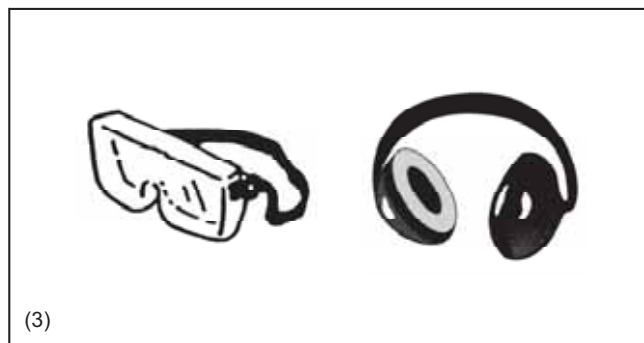
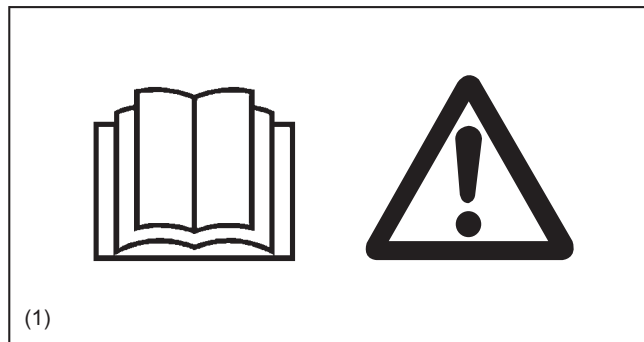
- O vestuário utilizado deve ser funcional e apropriado, ou seja, deve ser justo mas não pode estorvar. Não utilize peças de joalheria, vestuário ou cabelos compridos que possam entrar na admissão de ar.
- Para evitar ferimentos na cabeça, olhos, mãos ou pés, bem como para proteger a sua audição, os equipamentos e vestuário de proteção que se seguem devem ser usados durante o funcionamento do soprador.

Tome especial atenção aos seguintes regulamentos

- O vestuário deve ser justo e ser bastante cómodo, permitindo uma total liberdade de movimentos. Evite casacos largos, calças folgadas ou de estilo largo, lenços ou cachecóis, cabelo comprido solto ou qualquer outra coisa que possa ser puxada para a entrada de ar. (4) Use fatos-macaco ou calças compridas para proteger as pernas. Não use calções. (4)
- Em geral, os produtos com motores são ruidosos e os ruídos podem prejudicar a audição. Use barreiras de som (tampões ou abafadores de som para os ouvidos) para proteger o aparelho auditivo. Os utilizadores contínuos e regulares devem verificar a audição com regularidade. (3)
- Recomenda-se o uso de luvas quando trabalhar com o soprador. Use sapatos robustos com solas que não escorreguem. (4)
- Uma proteção ocular adequada é obrigatória. Apesar de a descarga ser feita diretamente para longe do operador, podem ocorrer ricochetes e ressaltos durante o funcionamento do soprador. (3)
- Nunca utilize um soprador a menos que esteja a usar óculos de proteção ou outros óculos devidamente ajustados com proteção superior e lateral adequada e que estejam em conformidade com a EN166 e os regulamentos do seu país.
- Para reduzir o risco de ferimentos associados à inalação de poeiras, utilize uma máscara de filtragem facial em condições de pó.

Arrancar o soprador

- Certifique-se de que não há crianças nem outras pessoas dentro de um raio de de 15 metros do local de trabalho (5). Tome igualmente atenção a quaisquer animais perto da área de trabalho. Nunca utilize o soprador em zonas urbanas.
- Antes de utilizar, verifique sempre se o soprador está seguro para funcionamento:
Verifique a segurança da alavanca do acelerador. A alavanca do acelerador deve ser verificada quanto a uma ação suave e fácil. Verifique o funcionamento correto do bloqueio da alavanca do acelerador. Verifique se os punhos estão limpos e secos e teste o funcionamento do interruptor I-O. Mantenha os punhos sem óleo e combustível.



- Arranque o soprador apenas de acordo com as instruções. Não utilize quaisquer outros métodos para arrancar o motor. (6)
- Utilize o soprador e as ferramentas fornecidas apenas para as aplicações especificadas.
- Arranque o motor do soprador apenas depois de a ferramenta ser montada na sua totalidade. A operação da ferramenta só é permitida depois de todos os acessórios adequados estarem instalados.
- Deve desligar imediatamente o motor caso surjam quaisquer problemas de motor.
- Quando trabalhar com o soprador, agarre bem o punho enrolando os dedos com força à sua volta, mantendo o punho de controlo apertado entre o polegar e o indicador. Mantenha a mão nesta posição para manter sempre a máquina sob controlo. Certifique-se de que o punho de controlo está em boas condições e não apresenta humidade, sujidade, óleo ou massa lubrificante.

Garanta sempre um posicionamento seguro e estável.

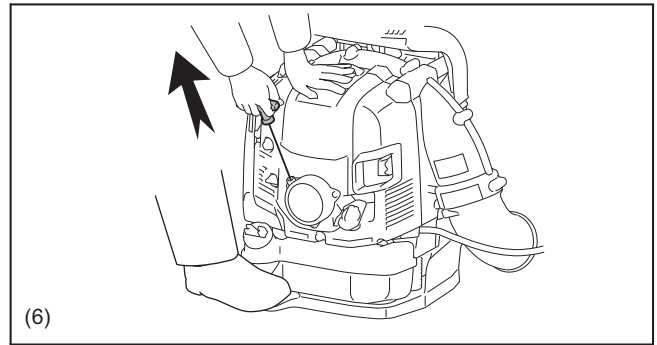
- Transporte o soprador adequadamente nos dois ombros durante o funcionamento. Não transporte o soprador só com uma faixa para o ombro. Caso contrário, podem resultar ferimentos pessoais.
- Utilize o soprador de forma a evitar a inalação dos gases de escape. Nunca ponha o motor em funcionamento em ambientes fechados (risco de sufocamento e envenenamento por gás). O monóxido de carbono é um gás inodoro.

Assegure-se sempre de que há ventilação adequada.

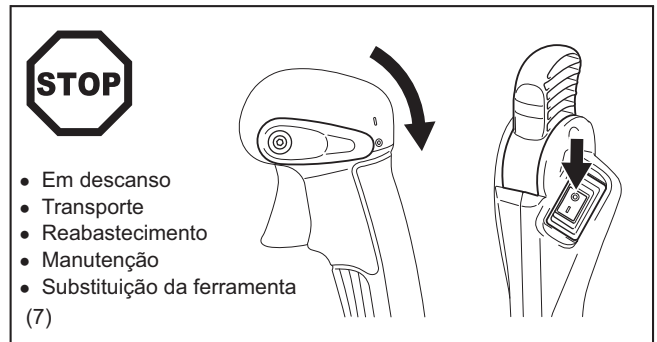
- Desligue o motor quando estiver a descansar ou quando deixa o soprador sem vigilância.
Coloque-o num local seguro para evitar riscos às outras pessoas, provocar incêndios com os materiais combustíveis ou danos na máquina.
- Nunca deixe o Soprador quente sobre ervas secas ou sobre qualquer material combustível.
- Durante a operação deve utilizar todas as peças e equipamentos de protecção fornecidos com a máquina.
- Nunca ponha o motor em funcionamento se o abafador de escape apresentar algum defeito.
- Desligue o motor durante o transporte. (7)
- Guarde o soprador em segurança durante o transporte no carro ou carrinha a fim de evitar fugas de combustível.
- Quando transportar o soprador, assegure-se de que o depósito de combustível está completamente vazio.
- Transporte o soprador segurando-o pelo punho de transporte. Não arraste o soprador pelo bocal, pelos tubos ou outras peças.
- Quando transportar o soprador, dobre os joelhos para o agarrar e certifique-se de que não magoa os ombros e as costas.

Reabastecimento

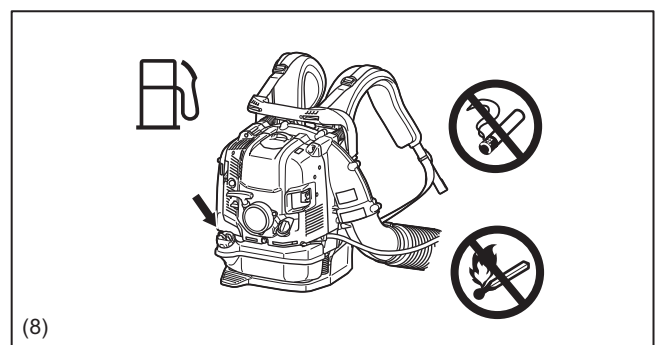
- Desligue o motor durante o reabastecimento (7), mantenha-o afastado de chamas vivas (8) e não fume.
- Evite o contacto de produtos petrolíferos com a pele. Não inale os vapores de combustível.
Use sempre luvas de protecção durante o reabastecimento. Troque e limpe o vestuário de protecção regularmente.
- Tenha cuidado para não derramar combustível ou óleo no solo para evitar contaminação (protecção ambiental). Limpe imediatamente o soprador se tiver derramado combustível. Deixe os panos secarem antes de os eliminar adequadamente, dentro de um recipiente tapado, para prevenir a combustão espontânea.
- Evite qualquer contacto do combustível com o vestuário. Troque imediatamente o vestuário se tiver derramado combustível sobre as mesmas (risco de incêndio).
- Inspeccione a tampa do depósito de combustível regularmente assegurando-se de que está firmemente fechada.
- Aperte cuidadosamente o parafuso de bloqueio do depósito de combustível. Mude de lugar para ligar o motor (pelo menos, 3 metros de distância do local de reabastecimento). (9)
- Nunca reabasteça em ambientes fechados. Os vapores de combustível acumulam ao nível do solo (risco de explosões).
- Apenas transporte e armazene o combustível em recipientes aprovados. Assegure-se de que as crianças não tenham acesso ao combustível armazenado.
- Não tente reabastecer com o motor quente ou em funcionamento.



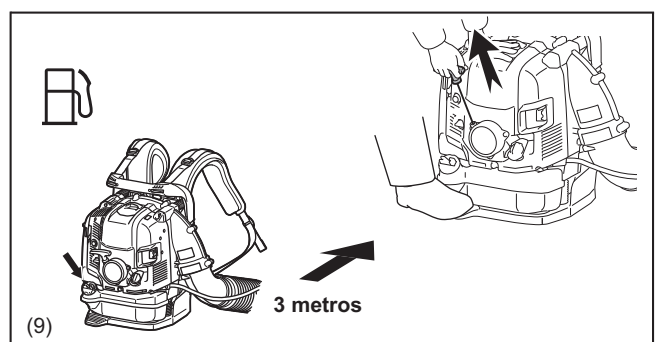
(6)



(7)



(8)



(9)

3 metros

Método de funcionamento

- Utilize o soprador apenas com boas condições de luz e visibilidade. Cuidado com as áreas escorregadias ou molhadas, geladas ou com neve (risco de escorregar) e espaços apertados. Assegure-se sempre de um posicionamento seguro.
- Nunca trabalhe sobre superfícies instáveis ou terrenos inclinados.
- Não trabalhe a partir de escadas ou locais elevados. Caso contrário, podem resultar ferimentos pessoais.
- Para reduzir o risco de ferimentos pessoais, não direcione a injeção de ar para as pessoas presentes, uma vez que a alta pressão do fluxo de ar pode ferir os olhos e dispersar objetos pequenos a alta velocidade.
- Nunca insira nenhum objecto estranho na entrada de ar da máquina ou no bocal do soprador. Isso pode danificar a roda do ventilador e provocar ferimentos graves ao operador ou às pessoas presentes, pois o objeto ou as peças partidas podem ser lançadas a grande velocidade.
- Preste atenção à direcção do vento, ou seja, não trabalhe contra o vento.
- Para reduzir o risco de tropeçar ou perder o controlo, não caminhe para trás enquanto está a utilizar a máquina.
- Desligue sempre o motor antes de o limpar ou antes da realização de qualquer tipo de manutenção ou quando substituir peças.
- Tire alguns momentos para descansar para evitar a perda de controlo provocada pela fadiga. Recomendamos que descanse entre 10 a 20 minutos após cada hora de trabalho.
- Não utilize a máquina perto de janelas, etc.
- Para reduzir a possibilidade de danos provocados pela vibração e/ou danos no aparelho auditivo, sempre que possível utilize a máquina a baixa velocidade e limite o tempo de funcionamento.
- Utilize a máquina apenas a horas razoáveis. Não utilize o soprador de manhã nem à noite para não perturbar as pessoas.
- Recomendamos a utilização de ancinhos e vassouras para soltar os resíduos antes de utilizar a máquina.
- Antes de utilizar a máquina, humedecia ligeiramente as superfícies em condições de poeira ou utilize um pulverizador de água, se necessário.
- Ajusta extensão do bocal do soprador de modo a que o fluxo possa trabalhar perto do solo.
- Para reduzir os níveis de som, limite o número de peças de equipamento utilizadas ao mesmo tempo.

Depois de utilizar os sopradores e outros equipamento, LIMPE-OS! Elimine os resíduos nos postos de recolha de lixo.

Instruções de manutenção

- Respeite o ambiente. Opere o soprador com o menor ruído e poluição possíveis. Em especial, verifique o ajuste correto do carburador.
- Limpe o soprador em intervalos regulares e verifique se todos os parafusos e porcas estão firmemente apertados.
- Nunca faça a manutenção nem armazene o soprador nas proximidades de lugares onde possam surgir chamas vivas, faíscas, etc. (11).
- Guarde sempre o soprador num recinto trancado, bem ventilado e com o depósito de combustível vazio.

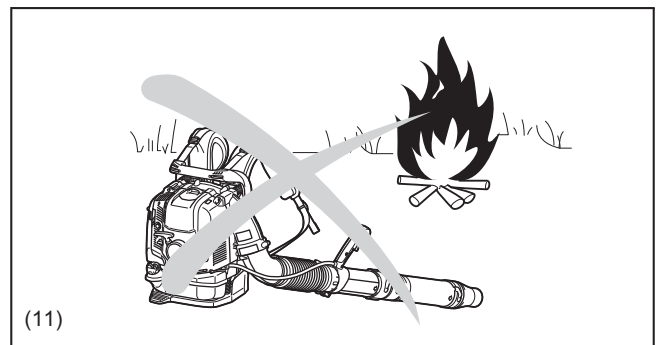
Cumpra e siga todas as instruções referentes a prevenção de acidentes emitidas pelas associações comerciais relevantes e pelas companhias de seguros. Não faça nenhuma modificação ao soprador, pois isso poderá pôr a sua segurança em risco.

A realização dos trabalhos de manutenção ou de reparação pelo operador está limitada às atividades descritas neste manual de instruções. Os restantes trabalhos devem ser realizados pelos agentes de assistência técnica autorizados.

Utilize apenas peças sobressalentes e acessórios genuínos fornecidos pela Makita.

A utilização de acessórios e ferramentas não aprovados dão origem a um aumento do risco de acidentes e ferimentos. A Makita não se responsabiliza por acidentes ou danos causados pela utilização de quaisquer materiais ou acessórios não aprovados.

Nunca faça modificações ao equipamento. Pode provocar acidentes perigosos ou ferimentos pessoais.

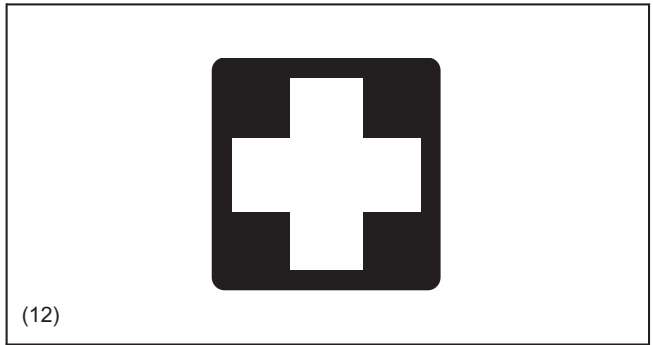


Primeiros socorros

Em caso de acidente, certifique-se de que tem disponível um kit de primeiros socorros o mais completo possível nas proximidades do local de trabalho. Substitua imediatamente qualquer item que tenha sido retirado do kit de primeiros socorros.

Quando pedir ajuda, forneça as seguintes informações:

- Local do acidente
- O que aconteceu
- Quantidade de pessoas feridas
- Extensão dos ferimentos
- O seu nome



Apenas para países europeus

Declaração de Conformidade da CE

Na Makita Corporation, na qualidade de fabricante responsável, declaramos que a(s) seguinte(s) máquina(s) da Makita:

Designação da máquina: Soprador a gasolina

N.º/tipo de modelo: EB7650TH, EB7650WH

Especificações: ver a tabela "DADOS TÉCNICOS"

são máquinas de produção em série e

estão em conformidade com as seguintes diretivas europeias:

2000/14/CE, 2006/42/CE

e são fabricadas de acordo com as seguintes normas ou documentos normalizados:

EN15503

A documentação técnica é mantida pelo nosso representante autorizado na Europa, ou seja:

Makita International Europe Ltd.,

Michigan Drive, Tongwell, Milton Keynes, Bucks MK15 8JD, Inglaterra

Os procedimentos de avaliação da conformidade necessários no âmbito da Diretiva 2000/14/CE foram efetuados de acordo com o anexo V.

Nível medido da potência sonora: 110 dB

Nível garantido da potência sonora: 111 dB

6. 8. 2013



Tomoyasu Kato
Diretor

Makita Corporation
3-11-8, Sumiyoshi-cho,
Anjo, Aichi, JAPÃO

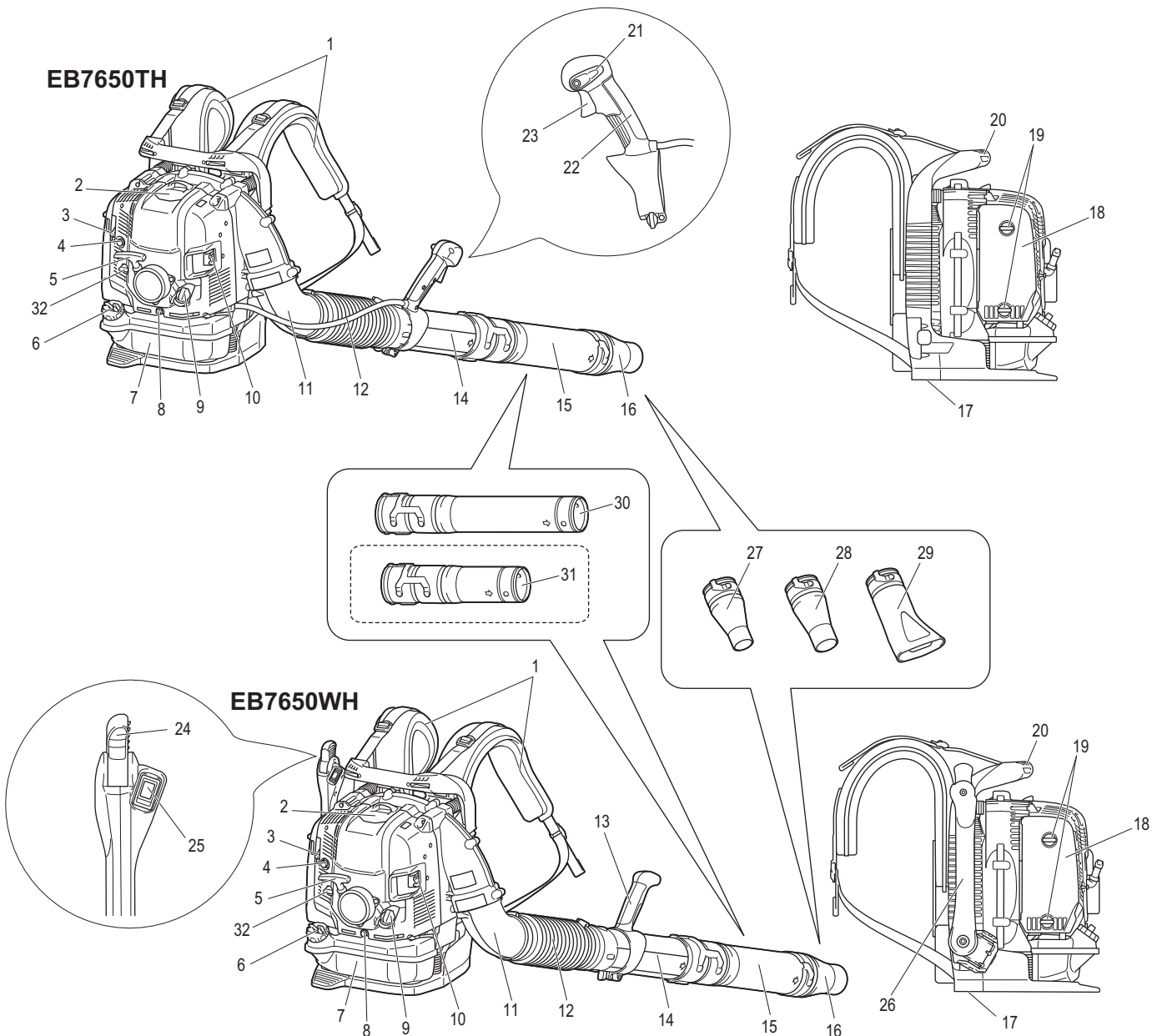
DADOS TÉCNICOS

Modelo					EB7650TH	EB7650WH	
Tipo de acelerador					Acelerador de tubo	Acelerador de quadril	
Massa (sem o tubo do soprador) (kg)					10,8	11,0	
Dimensões (sem o tubo do soprador C x L x A) (mm)					332 x 460 x 480	332 x 510 x 480	
Velocidade do ar	(com tubo longo)	(com o bocal para velocidade)			(m/s)	89	
		(com o bocal para volume)				81	
		(com o bocal achatado)				86	
	(com tubo curto)	(com o bocal para velocidade)				90	
		(com o bocal para volume)				81	
		(com o bocal achatado)				87	
Taxa de fluxo de volume do ar	(com tubo longo)	(com o bocal para velocidade)			(m³/ minuto)	17	
		(com o bocal para volume)				19	
		(com o bocal achatado)				17	
	(com tubo curto)	(com o bocal para velocidade)				17	
		(com o bocal para volume)				19	
		(com o bocal achatado)				17	
Velocidade máx. do motor (com o bocal para velocidade) (min ⁻¹)					7.100		
Velocidade de ralenti (min ⁻¹)					2.800		
Cilindrada do motor (cm³)					75,6		
Combustível					Gasolina para automóveis		
Capacidade do depósito de combustível (cm³)					1.900		
Óleo do motor					Óleo de graduação API, classe SF ou superior, SAE 10W-30 (óleo de motor para automóveis de 4 tempos)		
Volume do óleo do motor (cm³)					220		
Carburador (tipo)					Diafragma		
Vela de ignição					NGK CMR6A		
Folga do eletrodo (mm)					0,7 – 0,8		
Vibração no âmbito da EN15503 2009	Pega direita	a _{hv eq}	(com tubo longo)	(com o bocal para velocidade)	(m/s ²)	2,5	2,7
				(com o bocal para volume)		2,3	2,3
				(com o bocal achatado)		4,1	4,8
		(com tubo curto)	(com o bocal para velocidade)	3,1		2,7	
			(com o bocal para volume)	2,8		2,3	
			(com o bocal achatado)	3,7		5,1	
	Incerteza K					2,2	3,0
	Pega esquerda (braço de comando)	a _{hv eq}	(com tubo longo)	(com o bocal para velocidade)			0,7
				(com o bocal para volume)			0,7
				(com o bocal achatado)			0,9
		(com tubo curto)	(com o bocal para velocidade)			0,8	
			(com o bocal para volume)			0,7	
(com o bocal achatado)				0,9			
Incerteza K					0,5		
Média do nível de pressão sonora de acordo com a EN15503: 2009				L _{PA eq}	dB(A)	100	
				Incerteza K		dB(A)	1,5
Média do nível de potência sonora de acordo com a EN15503: 2009				L _{WA eq}	dB(A)	110	
				Incerteza K		dB(A)	1,0

Notas:

- Devido ao nosso programa contínuo de investigação e desenvolvimento, as especificações indicadas estão sujeitas a alterações sem aviso.
- As especificações podem diferir de país para país.

DESIGNAÇÃO DAS PEÇAS



1. Faixa para o ombro	9. Tampa do óleo	17. Rede do ar de admissão (no fundo)	25. Interruptor de paragem
2. Tampa da vela de ignição	10. Abafador	18. Tampa do filtro de ar	26. Braço de controlo
3. Braço de choke	11. Cotovelo	19. Parafuso (da tampa do filtro de ar)	27. Bocal para velocidade
4. Bomba de escorva	12. Tubo flexível	20. Punho para transporte	28. Bocal para volume
5. Botão do motor de arranque	13. Conjunto do punho	21. Punho de controlo de paragem	29. Bocal achatado
6. Tampa do depósito de combustível	14. Articulação	22. Punho de controlo	30. Tubo longo
7. Depósito de combustível	15. Tubo (longo/curto)	23. Gatilho do acelerador	31. Tubo curto (acessório opcional)
8. Parafuso de drenagem do óleo	16. Bocal	24. Alavanca do acelerador	32. Alavanca anti-congelação

• Os acessórios padrão podem variar de país para país.

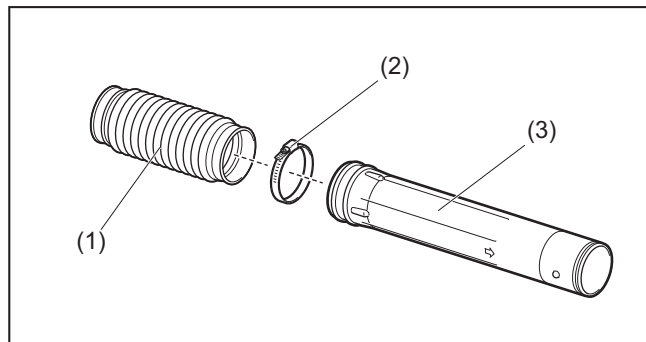
INSTRUÇÕES DE MONTAGEM

MONTAGEM DOS TUBOS DO SOPRADOR

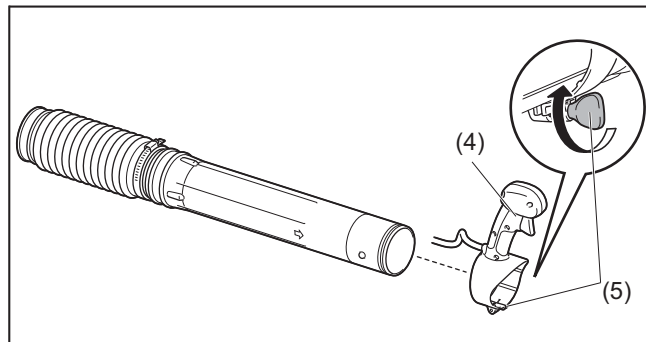
⚠ PRECAUÇÃO:

- Antes de realizar qualquer trabalho no soprador, desligue sempre o motor e puxe os conectores vela de ignição.
Use sempre luvas de proteção!
- Ligue o soprador apenas depois da montagem total.
- Use sempre luvas de proteção!

1. Insira a articulação (3) dentro do tubo flexível (1) e aperte-os com uma braçadeira para mangueiras (2).



2. Instale o punho de controlo/conjunto do punho (4) na articulação e aperte-os com o parafuso de aperto (5).



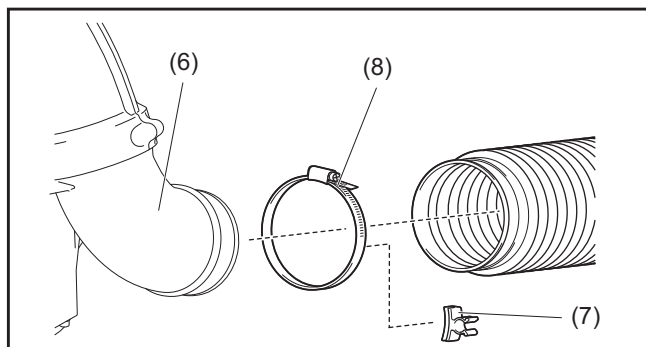
3. Para o modelo com acelerador de tubo

Insira o tubo flexível no cotovelo (6) do soprador.

Fixe o suporte do cabo (7) entre a braçadeira da mangueira (8) e o cotovelo.

Aperte o suporte do cabo, o tubo flexível e o cotovelo com uma braçadeira para mangueiras.

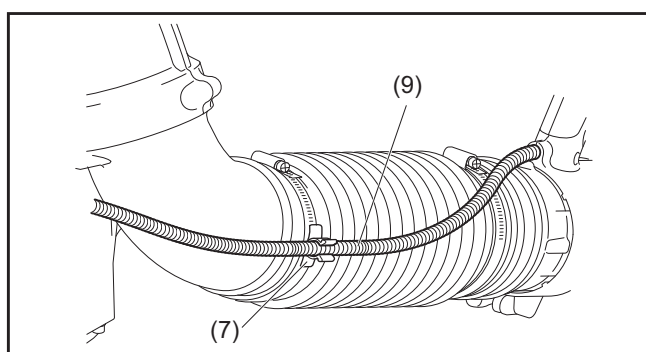
Acrescente o cabo de controlo (9) sobre o suporte do cabo (7).



Para o modelo com acelerador de quadril

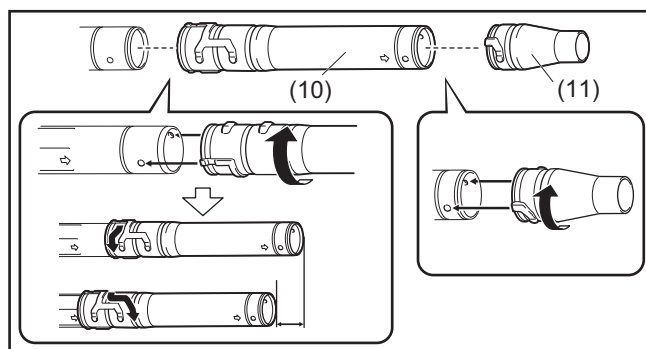
Insira o tubo flexível no cotovelo (6) do soprador.

Aperte o tubo flexível e o cotovelo com uma braçadeira para mangueiras (8).



4. Fixe o tubo longo/curto (10) com a articulação. Rode o tubo longo/curto no sentido dos ponteiros do relógio para o bloquear no lugar. Depois, fixe o bocal do soprador (11) com o tubo longo/curto. Rode o bocal do soprador no sentido dos ponteiros do relógio para o bloquear no lugar.

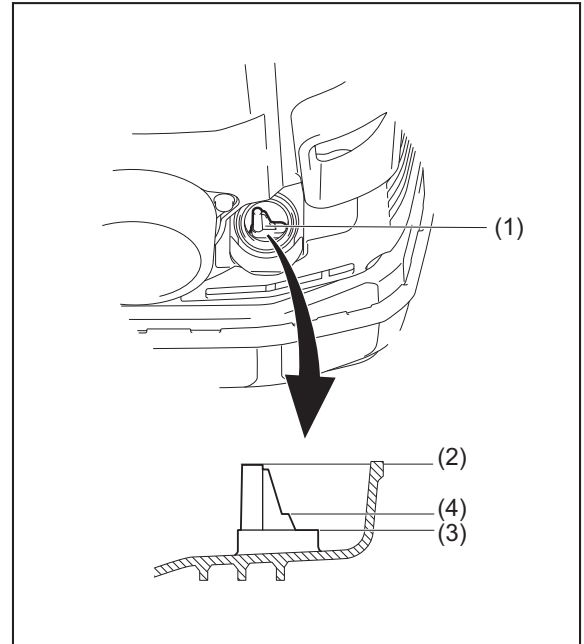
5. Certifique-se de que todas as braçadeiras estão bem presas.



ANTES DE PÔR O MOTOR A TRABALHAR

1. Verificar e reabastecer o óleo do motor

- 1) Siga o procedimento abaixo quando o motor está frio. Caso contrário, podem resultar queimaduras.
 - **Inspeção:** Coloque o soprador numa superfícies nivelada e retire a tampa do óleo. Verifique o indicador de nível do óleo (1). Certifique-se de que o nível de óleo está dentro das marcas de limite superior (2) e inferior (3). Se o nível de óleo não atingir a marca dos 100 ml (4), encha com óleo novo.
 - **Encher com óleo:** Coloque o soprador numa superfícies nivelada e retire a tampa do óleo. Encha com óleo até ao limite superior do indicador de nível do óleo.
- 2) Em média, é necessário adicionar óleo a cada 20 horas de funcionamento (entre 10 a 15 reabastecimentos).
- 3) Mude o óleo sempre que ficar sujo ou mudar significativamente de cor. (Consulte “**Substituição do óleo do motor**” para o procedimento e frequência de mudança de óleo).



Óleo recomendado: Óleo genuíno Makita ou óleo SAE10W-30 do tipo API de grade SF ou superior (óleo para automóveis com motores de 4 tempos)

Capacidade do óleo: Aproximadamente 0,22 l (220 ml)

NOTA:

- Se o soprador não for guardado de pé, o óleo pode sair pelo indicador de óleo e entrar no motor resultando numa leitura falsa quando se verifica o nível de óleo. Isto pode resultar em excesso de óleo adicionado inadvertidamente. Guarde sempre o soprador de pé.
- Se houver óleo do motor em excesso, o óleo pode transbordar pelo respiradouro do filtro e sujar as peças circundantes, ou pode aparecer fumo branco devido à queima do óleo em excesso.

Substituição do óleo “Tampa do óleo”

- Limpe a poeira ou terra junto da porta de enchimento do óleo e desprenda a tampa do óleo.
- Mantenha a tampa do óleo limpa, sem resíduos de areia ou poeira, sempre que a retirar. Caso contrário, as partículas de sujidade podem colar-se à tampa do óleo e entrar no depósito provocando uma circulação irregular do óleo ou desgaste das peças do motor, o que resultará em problemas.

Depois de reabastecer com óleo

- Limpe qualquer óleo derramado com um pano.

2. Alimentação de combustível

AVISO:

- Quando reabastecer a unidade, certifique-se de que observa as instruções que se seguem para evitar ignição, incêndio ou ferimentos pessoais:
 - O abastecimento de combustível deve ser feito num local sem focos de incêndio. Nunca leve artigos que provoquem fogo (fumo, etc.) para perto do local onde faz o reabastecimento de combustível.
 - Pare o motor e deixe-o arrefecer antes de reabastecer.
 - Reabasteça numa superfície plana. Não reabasteça em local instável ou mal ventilados.
 - Reabasteça num local bem iluminado e com boa visibilidade.
 - Reabasteça num local aberto e desimpedido.
 - Abra a tampa do depósito de combustível lentamente. O combustível pode espirrar por causa da pressão interna.
 - Tenha cuidado para não derramar combustível. Todo o combustível derramado tem de ser limpo.
 - Efetue a alimentação de combustível numa área bem ventilada.
- Manuseie o combustível com cuidado.
 - O combustível derramado sobre a pele ou que entre nos olhos pode provocar alergias ou irritação. Quando é detetada qualquer deformidade física, consulte imediatamente um médico especialista.
- NÃO coloque óleo dentro do depósito de combustível.

TEMPO DE ARMAZENAMENTO DO COMBUSTÍVEL

O combustível deve ser consumido dentro de um período de 4 semanas, mesmo que seja guardado num recipiente especial numa área bem ventilada e à sombra.

Caso contrário, o combustível pode deteriorar-se num dia.

Armazenamento da máquina e do recipiente de reabastecimento

- Mantenha a máquina e o recipiente num lugar fresco, sem incidência da luz solar direta.
- Nunca guarde o combustível dentro do carro.

COMBUSTÍVEL

O motor é um motor a 4 tempos. Assegure-se de que utiliza gasolina para automóveis (gasolina normal ou especial).

Pontos relacionados com o combustível

- Nunca utilize uma mistura de gasolina que contenha óleo de motor. Caso contrário, provocará uma acumulação excessiva de carbono ou problemas mecânicos.
- A utilização de óleo deteriorado provocará irregularidades no arranque.

Ao reabastecer, desligue o motor e espere que o motor arrefeça.

MÉTODO DE REABASTECIMENTO

- Afrouxe um pouco a tampa do depósito para deixar sair a pressão.
- Desencaixe a tampa do depósito e reabasteça, descarregando o ar inclinando o depósito de combustível de forma que o orifício de reabastecimento fique virado para cima. NÃO encha o depósito até à boca.
- Depois de reabastecer, aperte a tampa do depósito de forma segura.
- Se houver qualquer defeito ou dano na tampa do depósito, substitua-a.
- A tampa do depósito desgasta-se com o tempo. Substitua de dois em dois ou de três em três anos.
- NÃO coloque combustível no orifício de abastecimento de óleo.

FUNCIONAMENTO

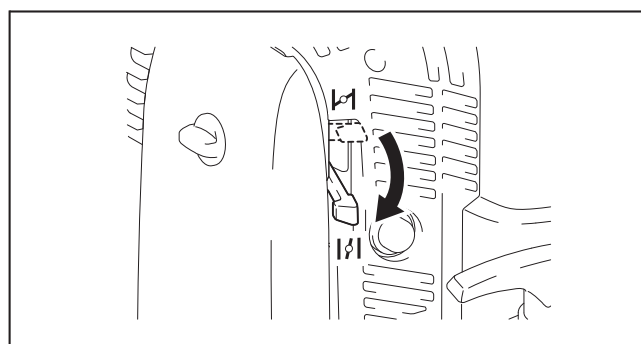
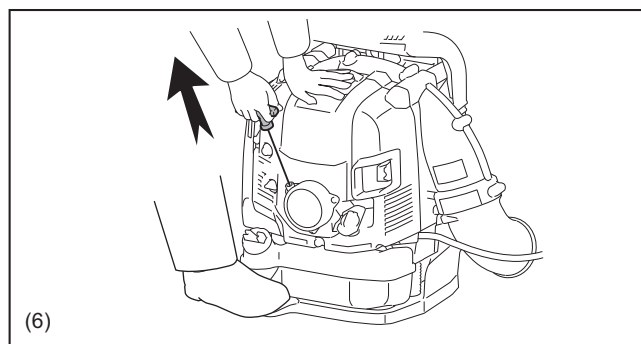
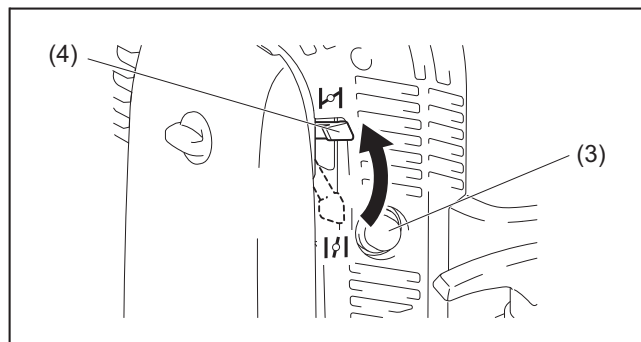
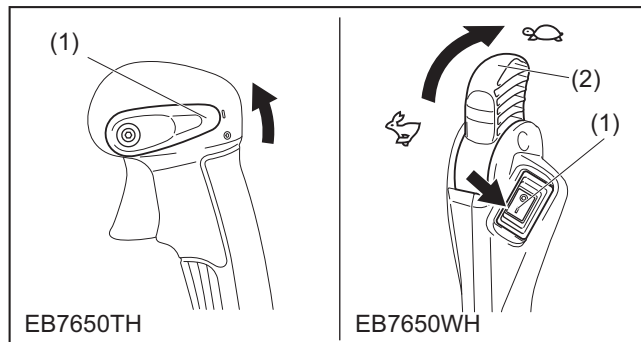
1. Arranque

⚠ AVISO:

- Não arranque o motor no local onde abasteceu o combustível.
 - Pode provocar ignição ou incêndio. Arranque o motor a uma distância de, pelo menos, três metros.
- O gás de escape do motor é tóxico. Não ponha o motor a trabalhar num local mal ventilado, como num túnel, num edifício, etc.
 - Deixar o motor a trabalhar num local mal ventilado pode provocar envenenamento por gases de escape.
- Caso detete qualquer irregularidade no ruído, cheiro ou vibração após o arranque, pare o motor imediatamente e efetue uma inspeção.
 - Se o motor for operado sem ver qual a razão da irregularidade, pode ocorrer um acidente.
- Não toque na tampa do motor quente. Caso contrário, podem resultar queimaduras.
- Certifique-se de que não existem fugas de combustível antes de pôr o motor a trabalhar.
- Certifique-se de que o motor para quando o interruptor de paragem é colocado na posição "O".

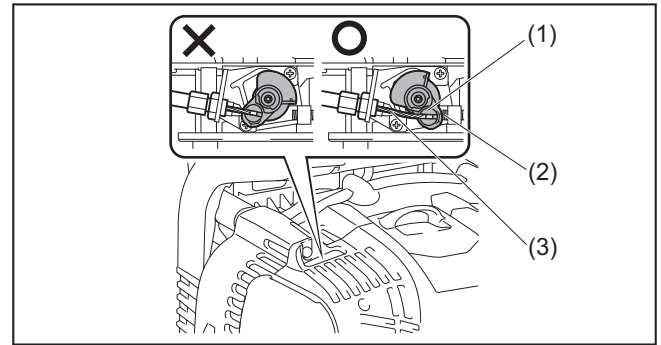
1) Quando o motor está frio ou após o reabastecimento (arranque a frio)

- (1) Coloque o soprador numa superfície nivelada.
- (2) Para o modelo com acelerador de tubo
Coloque a alavanca de controlo de paragem (1) na posição "I".
(2) Para o modelo com acelerador de quadril
Coloque o interruptor de paragem (1) na posição "I".
E certifique-se de que a alavanca do acelerador (2) está definido para a posição de velocidade mais baixa.
- (3) Continue a empurrar a bomba de escorva (3) até o combustível entrar dentro da bomba.
 - Em geral, o combustível entra no carburador depois de empurrar 7 a 10 vezes.
 - Mesmo que a bomba de escorva seja empurrada excessivamente, a gasolina em excesso volta ao depósito de combustível.
- (4) Levante o braço de choke (4) até à posição de fechado.
- (5) Carregue no pedal com o pé direito e segure na parte de cima da tampa da unidade com a mão esquerda para evitar que o motor se mova.
- (6) Puxe o manípulo de arranque ligeiramente para fora até sentir compressão.
Depois, puxe com força.
 - Nunca puxe a extensão total da corda.
 - Volte a colocar a pega do motor de arranque com cuidado dentro do alojamento. Caso contrário, a pega solta do motor de arranque pode bater-lhe no corpo ou pode não rebobinar adequadamente.
- (7) Quando o motor arranca, baixe a alavanca do choke para a posição de aberta.
 - Abra totalmente a alavanca do choke quando verificar o funcionamento do motor.
 - Em temperaturas frias ou quando o motor não está suficientemente quente, nunca abra o braço de choke de repente. Caso contrário, o motor pode parar.
- (8) Continue a operação de aquecimento durante 2 a 3 minutos.
- (9) O aquecimento está concluído quando se sente uma aceleração rápida do motor desde uma rotação baixa para a aceleração máxima.



NOTA:

- O motor pode ficar danificado se o braço de choke for movido além da posição "CLOSE".
- Se o motor arrancar e parar, volte a colocar esta alavanca na posição "OPEN" e puxe o punho do motor de arranque várias vezes para voltar a pôr o motor a funcionar.
- Se o operador continuar a puxar o punho do motor de arranque várias vezes com o braço de choke na posição "CLOSE", poderá ser difícil arrancar o motor devido a inundação de combustível, afogando o motor.
- Se o motor afogar, retire a vela e puxe o punho rapidamente várias vezes para descarregar o combustível em excesso. Seque o elétrodo da vela de ignição.
- Quando a válvula do acelerador (1) não volta à posição em que está em contacto com o parafuso de ajuste do ralenti (2), mesmo que a alavanca do acelerador esteja definida para baixa velocidade, corrija o estado de recolha do cabo de controlo (3) para garantir o retorno correto da válvula.

**2) Quando o motor está quente (arranque a quente)**

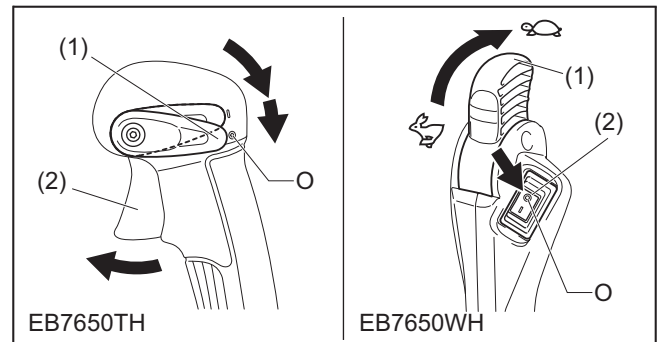
- (1) Coloque o soprador numa superfície nivelada.
- (2) Empurre a bomba de escorva várias vezes.
- (3) Certifique-se de que o braço de choke está aberto.
- (4) Carregue no pedal com o pé direito e segure na parte de cima da unidade com a mão esquerda para evitar que o motor se mova.
- (5) Puxe o manipulador de arranque ligeiramente até sentir compressão. Depois, puxe com força.
- (6) Quando é difícil arrancar o motor, abra a válvula do acelerador cerca de 1/3.

2. Parar**Para o modelo com acelerador de tubo**

Solte o gatilho do acelerador (2) coloque a alavanca de controlo de paragem (1) na posição "O".

Para o modelo com acelerador de quadril

Coloque a alavanca da borboleta (1) na posição de baixa velocidade para reduzir a velocidade do motor. Depois, coloque o interruptor de paragem (2) na posição "O".



AJUSTE DO RALENTI

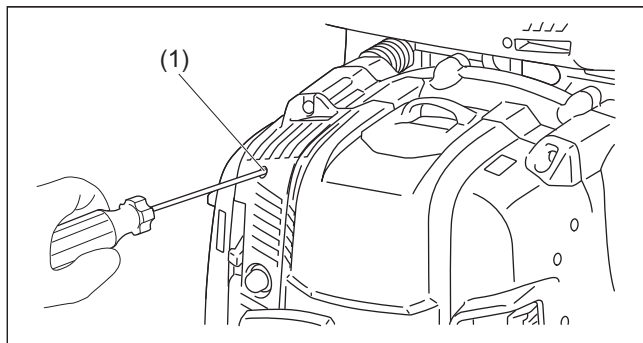
⚠ PRECAUÇÃO:

- O carburador está ajustado de fábrica. Ajuste apenas a velocidade de ralenti. Para outros ajustes, consulte um centro de assistência técnica autorizado da Makita.

Verificação da rotação de baixa velocidade

Regule a rotação de baixa velocidade para 2.800 rpm (/min).

- Se for necessário alterar a velocidade da rotação, regule o parafuso de ajuste (1) de ralenti com uma chave Phillips.
- Gire o parafuso de ajuste para a direita para aumentar a velocidade do motor. Gire o parafuso de ajuste para a esquerda para reduzir a velocidade do motor.



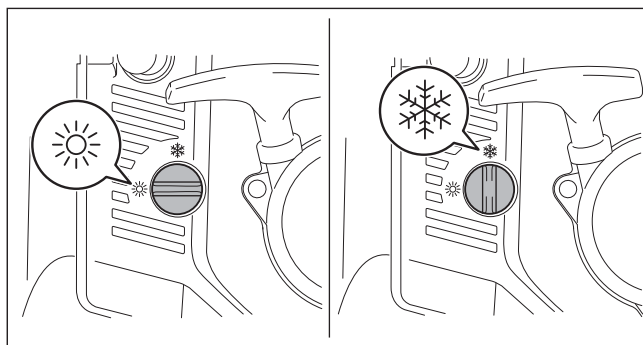
PREVENÇÃO DE CONGELAÇÃO DO CARBURADOR

⚠ PRECAUÇÃO:

- Quando a temperatura ambiente é superior a 10°C, coloque sempre a alavanca na posição normal (marca do sol). Caso contrário, o motor pode ficar danificado por sobreaquecimento.

Quando a temperatura ambiente é baixa e a humidade é alta, o vapor de água pode congelar dentro do carburador e o motor começa a trabalhar irregularmente (congelamento do carburador). Se necessário, mude a regulação da alavanca anti-congelamento como se segue.

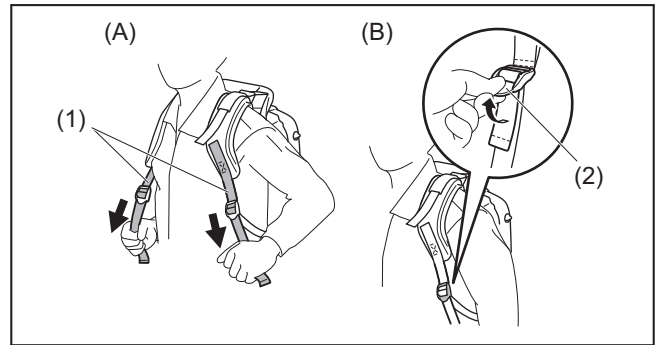
- A temperatura ambiente é superior a 10°C: Coloque a alavanca na posição normal (marca do sol).
- A temperatura ambiente é igual ou inferior a 10°C: Rode a alavanca para a posição anticongelamento (marca do floco de neve).



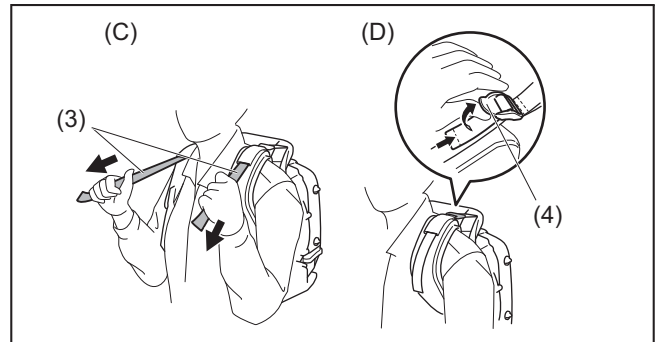
MÉTODO DE FUNCIONAMENTO

1. Ajustar a faixa para o ombro

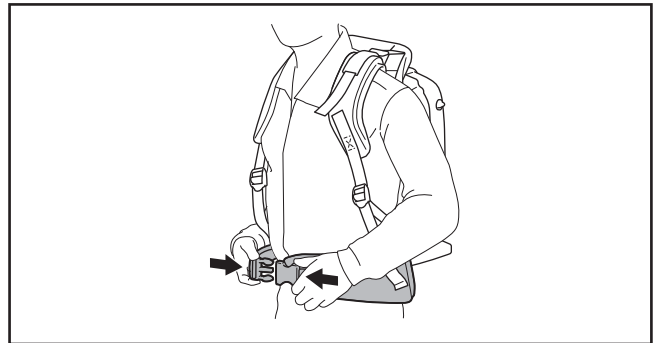
Ajuste a faixa para o ombro (1) a um comprimento confortável para trabalhar enquanto transporta o soprador. Para apertar (A) a faixa, puxe a extremidade da faixa para baixo. Para a soltar (B), puxe a extremidade do fixador (2).



Puxe a faixa estabilizadora (3) até deixar de haver espaço entre as suas costas e a caixa do soprador. Para apertar (C) a faixa, puxe a extremidade da faixa para baixo. Para a soltar (D), puxe a extremidade do fixador (4).



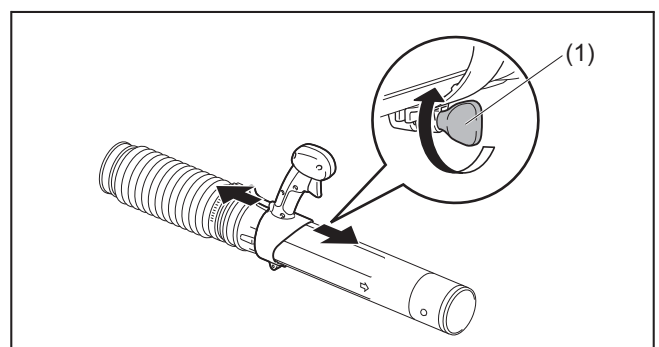
A faixa para a anca (acessório opcional) permite ao operador transportar a ferramenta de uma forma mais estável.



2. Ajustar a alavanca de controlo

Para o modelo com acelerador de tubo

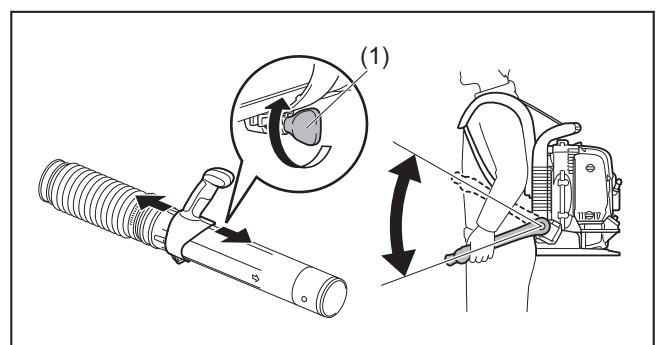
Mova o punho de controlo em conjunto com o tubo articulado até encontrar a posição mais confortável. Depois, aperte o punho de controlo com o parafuso (1).



Para o modelo com acelerador de quadril

Mova o conjunto do punho juntamente com a articulação até encontrar a posição mais confortável. Depois, aperte o punho com o parafuso (1).

Ajuste o ângulo do braço de controlo para uma utilização confortável da ferramenta.



3. Funcionamento do soprador

- 1) Ao utilizar o soprador, ajuste o gatilho do acelerador/alavanca do acelerador para que a força do vento seja apropriada ao local e às condições de trabalho.
- 2) Ajustar a velocidade do motor.

Para o modelo com acelerador de tubo

A velocidade do motor aumenta quando se puxa o gatilho do acelerador (1). Para reduzir a velocidade do motor, solte o gatilho do acelerador.

Ajustar a velocidade do motor com a função de controlo da velocidade de cruzeiro:

A função de controlo da velocidade de cruzeiro permite ao operador manter uma velocidade constante do motor sem ter necessidade de utilizar a alavanca do gatilho.

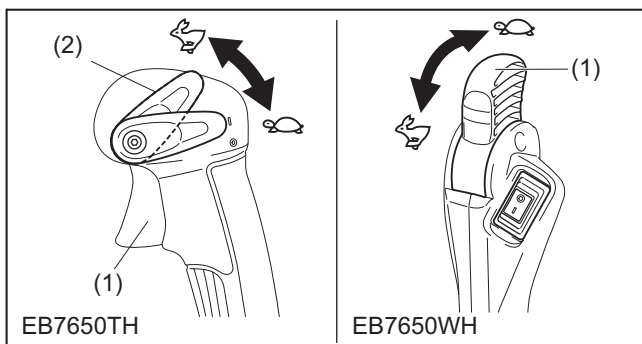
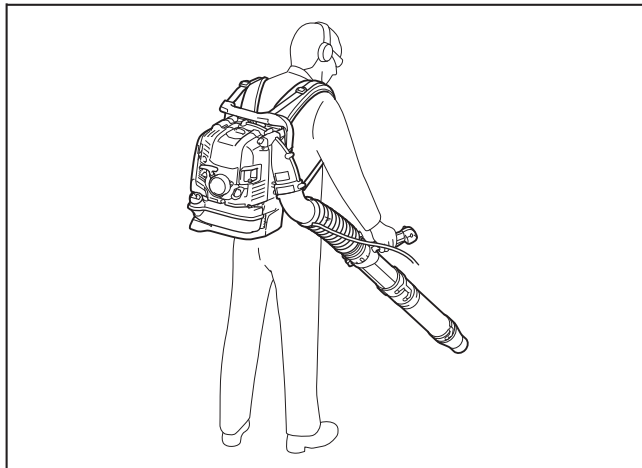
Para aumentar a velocidade do motor, rode a alavanca de controlo de paragem (2) para a alta velocidade.

Para reduzir a velocidade do motor, rode a alavanca de controlo de paragem para a baixa velocidade.

Para o modelo com acelerador de quadril

Para aumentar a velocidade do motor, rode a alavanca de controlo (1) para a alta velocidade.

Para reduzir a velocidade do motor, rode a alavanca da borboleta para a baixa velocidade.



TRANSPORTAR E GUARDAR O SOPRADOR

⚠ PRECAUÇÃO:

- Quando transportar o soprador certifique-se de que o motor está parado.

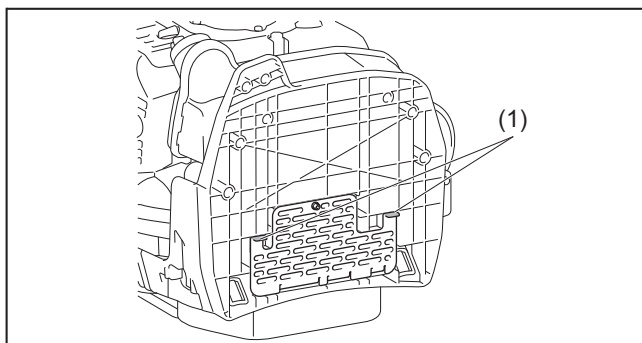
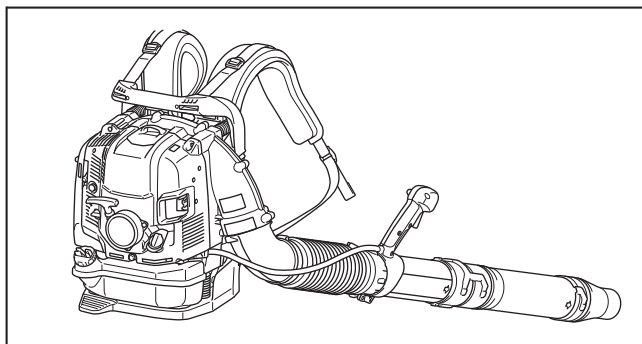
Não se sente nem fique de pé sobre o soprador nem coloque objectos pesados sobre o mesmo. Pode danificar a ferramenta.

Mantenha o soprador numa posição vertical sempre que o transportar ou armazenar.

Se o transportar ou armazenar numa posição diferente pode fazer com que o óleo derrame para dentro do motor do soprador. Isto pode resultar em fugas de óleo e em fumo branco resultante do óleo queimado, e o filtro de ar pode ficar sujo com óleo.

Não arraste o soprador quando o transporta. Caso contrário a caixa do soprador ou a rede da entrada de ar podem ficar danificadas, e pode provocar ferrugem.

* Na rede da entrada de ar existem contactos de massa (1) que descarregam as cargas electrostáticas para a terra.



INSPEÇÃO E MANUTENÇÃO

⚠ PRECAUÇÃO:

- Antes de inspecionar e realizar quaisquer trabalhos de manutenção, pare o motor e deixe-o arrefecer. Retire a vela de ignição e a tampa do do conector.
 - Caso contrário, o operador pode sofrer queimaduras ou ferimentos graves devido a arranque acidental.
- Após a inspeção e a manutenção, certifique-se de que todas as peças estão montadas. Depois, continue com a operação.

1. Substituição do óleo do motor

O óleo do motor deteriorado encurta grandemente a vida útil das peças deslizantes e rotativas. Certifique-se de que verifica o intervalo da mudança de óleo e a quantidade de óleo a substituir.

⚠ PRECAUÇÃO:

- A unidade principal do motor e o óleo do motor continuam quentes logo após desligar o motor. Quando for substituir o óleo, certifique-se de que a unidade principal do motor e o óleo do motor estão suficientemente frios. Caso contrário, o risco de queimadura continua a existir. Deixe passar o tempo suficiente depois de parar o motor para o óleo voltar ao depósito, de modo a garantir uma leitura precisa do indicador de nível do óleo.
- Se colocar óleo acima do limite máximo, o óleo pode ficar sujo ou pode pegar fogo com o fumo branco.

Intervalo de substituição: Após 20 horas de funcionamento, seguidas de cada 50 horas de funcionamento

Óleo recomendado: Óleo SAE10W-30, classificação API de classe SF ou superior (óleo para automóveis com motores a 4 tempos)

Procedimento de mudança de óleo

Siga estes passos quando mudar o óleo:

- (1) Segure o soprador para baixo sobre uma superfície nivelada.
- (2) Coloque um recipiente de recolha de óleo desperdiçado sob o orifício de drenagem (1) para apanhar o óleo ao drená-lo. O recipiente deve ter capacidade para, pelo menos, 220 ml para comportar todo o óleo.
- (3) Afrouxe o parafuso de drenagem de óleo (2) para deixar o óleo sair. Tenha cuidado para não deixar que o óleo entre no depósito de combustível ou noutras partes.

⚠ PRECAUÇÃO:

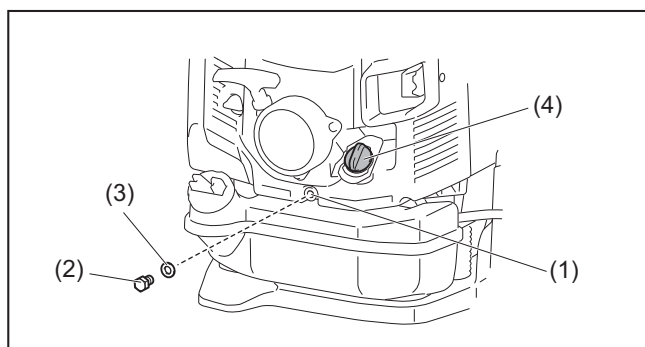
- Tenha cuidado para não perder a junta (anilha de alumínio) (3). Coloque o parafuso de drenagem do óleo (2) num local onde não acumule terra.
- (4) Retire a tampa do óleo (4). (Se tirar a tampa do óleo (4) este flui mais facilmente).

⚠ PRECAUÇÃO:

- Certifique-se de que coloca a tampa do óleo (4) num local onde não acumule terra.
- (5) À medida que o óleo que está a ser drenado diminui, incline o soprador para o lado do dreno de modo que todo o óleo seja drenado.
 - (6) Depois de o óleo ser completamente drenado, aperte o parafuso de drenagem do óleo (2) de forma segura. Se o parafuso não estiver bem apertado, pode resultar em fuga de óleo.

⚠ PRECAUÇÃO:

- Não se esqueça de voltar a instalar a junta (anilha de alumínio) (3) no lugar quando voltar a colocar o tampão de drenagem.
- (7) O procedimento de enchimento de óleo durante o procedimento de mudança de óleo é o mesmo que o procedimento explicado anteriormente para adicionar óleo quando o nível é insuficiente. Adicione sempre óleo enchendo a partir da abertura por baixo da tampa do óleo.
(Nível de óleo especificado: aproximadamente 220 ml)
 - (8) Depois de encher com óleo, aperte a tampa do óleo (4) em segurança para evitar fugas de óleo.



Pontos importantes na mudança do óleo do motor

- Nunca elimine o óleo de motor usado junto com o lixo doméstico, não o elimine no chão (terra) nem numa entrada de esgoto. A eliminação de óleo é regulada por lei. Para a sua eliminação, siga sempre as leis e regulamentos relevantes. Para outros pontos que não tenha conhecimento, contacte um agente de assistência técnica autorizado.
- O óleo deteriora-se mesmo quando não é utilizado. Realize inspeções e mudanças de óleo em intervalos regulares (substitua por óleo novo de 6 em 6 meses).

2. Limpeza do filtro de ar



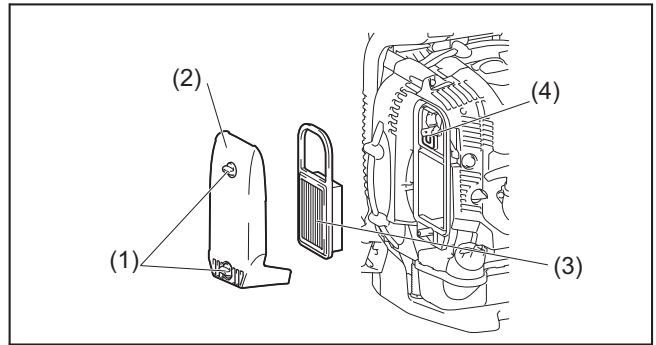
AVISO: AGENTES INFLAMÁVEIS ESTRITAMENTE PROIBÍDOS

Intervalo de limpeza e inspeção: Diariamente (de 10 em 10 horas de funcionamento)

- (1) Solte os parafusos (1).
- (2) Retire a tampa do filtro de ar (2).
- (3) Retire o elemento (3) e limpe a sujidade do elemento com uma escova.

Nota:

- O elemento é do tipo seco e não pode molhar-se. Nunca lave com água.
- (4) Substitua o elemento por um elemento novo se aquele estiver danificado ou se estiver muito sujo.
 - (5) Limpe todo o óleo que tenha entrado em contacto com o respirador (4) com um trapo ou pano.
 - (6) Instale o elemento na caixa do filtro de ar.
 - (7) Fixe a tampa do filtro de ar e aperte o parafuso com cabeça.



OBSERVAÇÃO:

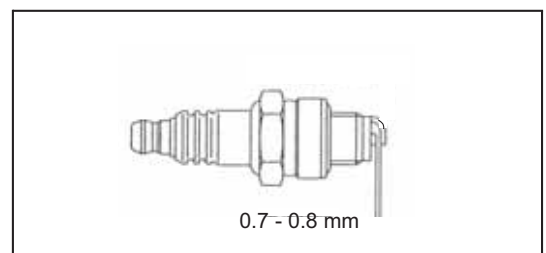
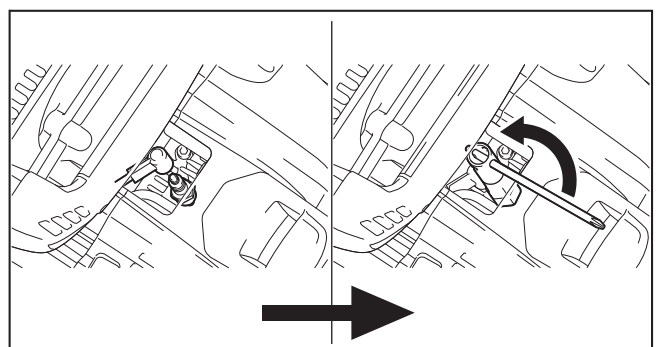
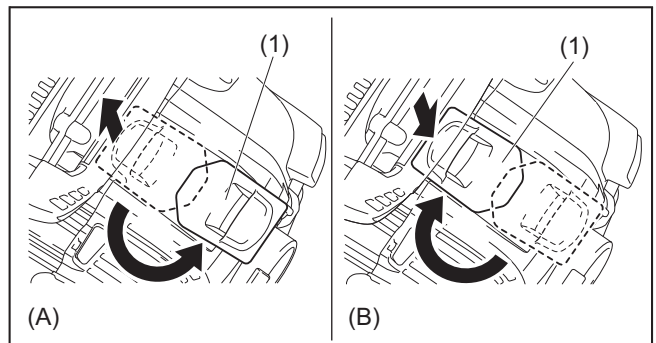
- Limpe o elemento várias vezes por dia caso apresente muito pó.
- Caso continue a utilizar a máquina com o elemento sujo de óleo, o óleo dentro do filtro de ar pode jorrar para fora resultando em contaminação de óleo.

3. Verificação da vela de ignição

⚠ PRECAUÇÃO:

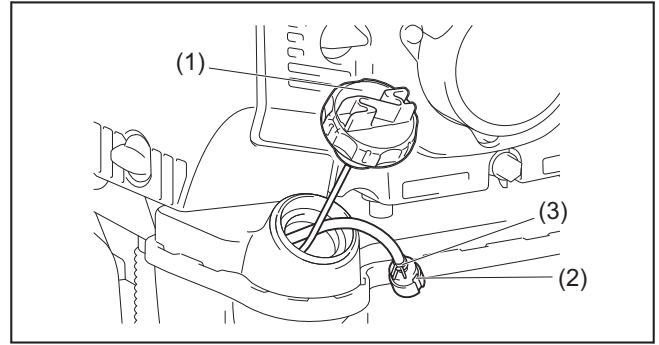
- Não toque na vela de ignição com o motor a trabalhar. Caso contrário, pode ocorrer um choque elétrico.
- Colocar a alavanca de comando/interruptor de paragem em na posição "O" de desligado.
- Verifique regularmente o cabo da vela de ignição. Se estiver danificado ou rasgado, substitua-o. Caso contrário, pode ocorrer um choque elétrico.
- Quando retirar a vela de ignição, limpe primeiro a vela e a cabeça de cilindros, para que não entre areia, sujidade, etc. no cilindro.
- Retire a vela apenas depois de o motor ter arrefecido para evitar danificar o orifício roscado no cilindro.
- Instale a vela adequadamente dentro do orifício roscado. Se for instalada inclinada, o orifício roscado no cilindro fica danificado.

- (1) Abrir/fechar a tampa da vela
Para abrir (A) a tampa da vela (1), levante-a e rode-a meia-volta. Para fechar (B) a tampa da vela, rode-a meia-volta e pressione em volta da parte dentada.
- (2) Remover a vela de ignição
Utilize uma chave de caixa para retirar ou instalar a vela.
- (3) Verificação da vela de ignição
A folga entre os dois elétrodos da vela de ignição é 0,7 a 0,8 mm. Ajuste a folga correta se for demasiado elevado ou reduzida. Limpe bem ou substitua a vela de tiver acumulado carbono ou se estiver contaminada.
- (4) Substituir a vela de ignição
Para a substituição, utilize a NGK-CMR6A.



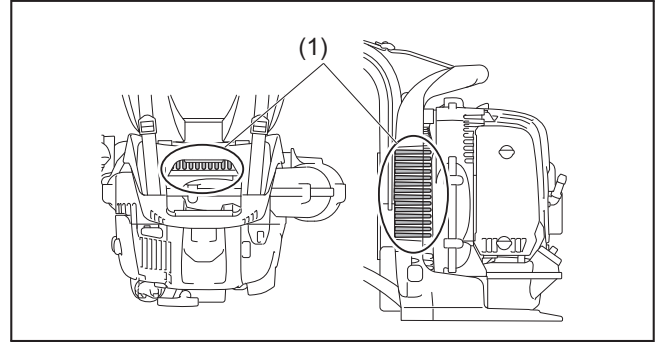
4. Limpeza do filtro de combustível

- Um filtro de combustível entupido pode provocar dificuldades de arranque ou falha de aumento da velocidade do motor.
- Verifique o filtro de combustível regularmente como se segue:
 - (1) Retire a tampa do depósito de combustível (1), drene o combustível para esvaziar o depósito. Verifique o interior do depósito para ver se existem matérias estranhas. Se existirem, limpe-as.
 - (2) Retire o filtro de combustível (2) puxando-o com um fio através da porta de enchimento de combustível.
 - (3) Se a superfície do filtro de combustível estiver contaminada, limpe-a com gasolina. A gasolina utilizada para a limpeza tem de ser eliminada de acordo com o método especificado por cada autoridade local. Um filtro excessivamente contaminado tem de ser substituído.
 - (4) Depois de verificar, limpar ou substituir, insira o filtro de combustível dentro do tubo de combustível e fixe-o com a braçadeira da mangueira (3). Volte a colocar o filtro de combustível dentro do depósito e aperte firmemente a tampa do depósito de combustível.
- Certifique-se de que o depósito de combustível não está danificado.



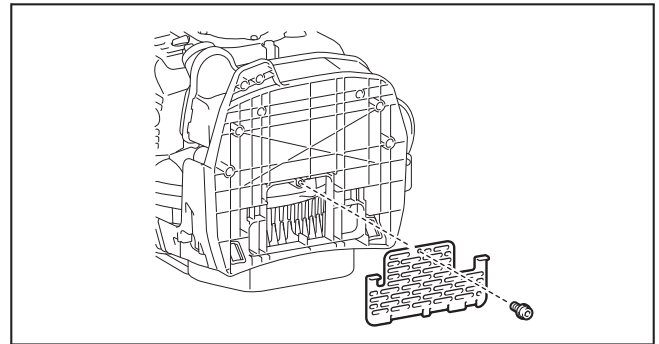
5. Inspeção dos parafusos, porcas e pernos

- Volte a apertar os parafusos, porcas, etc. que estejam soltos.
- Verifique se há fugas de combustível ou óleo.
- Substitua as peças danificadas por outras novas para um funcionamento seguro.



6. Limpeza das peças

- Mantenha o motor sempre limpo utilizando um pano.
- Mantenha as pás do cilindro sem poeiras ou sujidade. A poeira ou sujidade coladas ao cilindro provocam problemas.
- O ar soprado entra através do respirador da entrada de ar e da rede de entrada de ar (1). Quando o fluxo de ar cai durante o funcionamento, pare o motor e inspecione o respirador de entrada de ar para ver se apresenta alguma obstrução. Limpe, se necessário.
- Verifique a rede de entrada de ar na parte inferior. Retire o parafuso e a rede de entrada de ar. Verifique se existem obstruções. Limpe, se necessário.
- Essas obstruções podem provocar sobreaquecimento e danificar o motor.



⚠ AVISO:

- Nunca utilize o soprador sem a rede. Antes de cada utilização, verifique se a rede está presa no lugar e não tem quaisquer danos.

7. Substituição das juntas e enchimentos

Substitua as juntas e os enchimentos se o motor estiver desmontado. Qualquer manutenção de trabalhos de ajuste que não esteja incluída e descrita neste manual só pode ser realizada por um Agente de Assistência Técnica autorizado.

ARMAZENAMENTO

⚠ AVISO:

- Quando drenar o combustível, desligue o motor e espere que o motor arrefeça.
 - O não cumprimento desta recomendação pode provocar queimaduras ou incêndio.

⚠ PRECAUÇÃO:

- Se for guardar a máquina durante um longo período, drene todo o combustível do depósito e do carburador e guarde-a num local seco e limpo.

Drene o combustível do depósito de combustível e do carburador de acordo com o seguinte procedimento:

- (1) Retire a tampa do depósito de combustível e drene completamente o combustível. Se permanecerem matérias estranhas no depósito de combustível, remova-as completamente.
- (2) Retire o filtro do combustível puxando-o a partir da porta de reabastecimento utilizando um fio.
- (3) Empurre a bomba de escorva até o combustível da bomba ser drenado e drene o combustível que entra no depósito de combustível.
- (4) Reponha o filtro no depósito de combustível e aperte bem a tampa do depósito.
- (5) Depois, ligue o motor e deixe-o a trabalhar até parar completamente.
- (6) Retire a vela e deixe cair várias gotas de óleo do motor através do orifício da vela de ignição.
- (7) Puxe suavemente o punho do motor de arranque de modo que o óleo do motor se espalhe sobre o motor e instale a vela de ignição.
- (8) Mantenha a máquina com o punho virado para cima.
- (9) Guarde o combustível drenado num recipiente especial, à sombra, e num local bem ventilado.

Localização de avarias

Avaria	Sistema	Observação	Causa
O motor não arranca ou tem dificuldades em arrancar	Sistema da ignição	Vela da ignição OK	Avaria na alimentação de combustível ou no sistema de compressão, avaria mecânica
		Não há faísca para a ignição	O interruptor STOP está activado, falha da cablagem ou curto-circuito, vela ou conector deficientes, módulo da ignição avariado
	Alimentação de combustível	Depósito de combustível cheio	Posição incorreta do choke, carburador deficiente, linha de alimentação de combustível dobrada ou bloqueada, combustível com sujidade.
	Compressão	Não há compressão quando puxado	Junta do fundo do cilindro deficiente, juntas da cambota danificadas, anéis dos cilindros ou dos pistões deficientes ou vedação inadequada da vela de ignição
Problemas de arranque a quente O motor arranca mas vai abaixo	Avaria mecânica	Motor de arranque não engata	Mola do motor de arranque partida, peças partidas dentro do motor
	Alimentação de combustível	Depósito cheio e há faísca para ignição Depósito cheio	Carburador contaminado, limpar Ajuste incorreto do ralenti, carburador contaminado
Desempenho insuficiente	Vários sistemas podem ser afetados em simultâneo	Ralenti fraco do motor	Ventilador do depósito de combustível deficiente, linha de alimentação de combustível interrompida, cabo ou interruptor STOP avariado Filtro de ar contaminado, carburador contaminado, abafador entupido, conduta de escape no cilindro entupida

Item	Tempo de funcionamento								Página correspondente
		Antes do funcionamento	Após a lubrificação	Diariamente (10h)	30h	50h	200h	Encerramento/reposição	
Óleo do motor	Inspeccionar/limpar	○							130
	Substituir					○ ¹			137
Peças de aperto (parafuso, porca)	Inspeccionar	○							139
Depósito de combustível	Limpar/inspeccionar	○							—
	Drenar combustível						○ ³		139
Gatilho do acelerador/alavanca do acelerador	Verificar o funcionamento		○						—
Alavanca de controlo de paragem/interruptor de paragem	Verificar o funcionamento		○						133
Rotação a baixa velocidade	Inspeccionar/ajustar			○					134
Filtro de ar	Limpar			○					138
Ficha da ignição/cabo da ficha	Inspeccionar			○					138
Conduta de ar de arrefecimento	Limpar/inspeccionar			○					139
Tubo de combustível	Inspeccionar			○					139
	Substituir						⊙ ²		—
Filtro de combustível	Limpar/substituir					○			139
Folga entre a válvula de entrada de ar e a válvula de descarga de ar	Ajuste						⊙ ²		—
Tubo do óleo	Inspeccionar						⊙ ²		—
Inspeção do motor							⊙ ²		—
Carburador	Drenar combustível							○ ³	139

*1 Realize a mudança inicial após 20 horas de funcionamento.

*2 Entregue a máquina num agente de assistência técnica autorizado ou na loja onde a adquiriu para realizar a inspeção das 200 horas de funcionamento.

*3 Depois de esvaziar o depósito de combustível, deixe o motor a trabalhar e drene o combustível do carburador.

DETEÇÃO E RESOLUÇÃO DE PROBLEMAS

Antes de fazer um pedido de reparação, verifique primeiro o problema. Se forem encontradas falhas de funcionamento, realize um controlo à máquina de acordo com a descrição neste manual. Nunca interfira nem desmonte nenhuma peça que não esteja indicada na descrição. Para as reparações, contacte o agente de assistência técnica autorizado ou o seu concessionário local.

Estado da deficiência	Causa provável (avaria)	Correção
O motor não arranca	Falha de funcionamento da bomba de escorva	Empurrar 7 a 10 vezes.
	Velocidade baixa de acionamento da corta do motor de arranque	Puxar com força.
	Falta de combustível	Colocar combustível.
	Filtro de combustível entupido	Limpar
	Tubo de combustível dobrado	Endireitar o tubo de combustível
	Combustível deteriorado	O combustível deteriorado torna o arranque mais difícil. Substituir por outro novo. (Substituição recomendada: 1 mês)
	Sucção excessiva de combustível	Mudar a alavanca do acelerador da posição de velocidade média para alta velocidade, e puxar o punho do motor de arranque até o motor começar a funcionar. Se ainda assim o motor não arrancar, retire a vela de ignição, seque o eléctrodo e volte a montar pela ordem inversa. Depois, arranque o motor como especificado.
	Desprenda a tampa do conector	Prender em segurança
	Vela de ignição contaminada	Limpar
	Folga da vela de ignição irregular	Ajustar a folga
	Outras deficiências da vela de ignição	Substituir
	Carburador irregular	Pedir inspeção e manutenção.
	Não é possível puxar a pega de arranque	Pedir inspeção e manutenção.
Sistema de acionamento deficiente	Pedir inspeção e manutenção.	
O motor pára logo A velocidade do motor não aumenta	Aquecimento insuficiente	Realizar a operação de aquecimento
	Alavanca de choke definida para "CLOSE" apensar de o motor estar quente	Colocar em "OPEN"
	Filtro de combustível entupido	Limpar
	Filtro de ar contaminado ou entupido	Limpar
	Carburador deficiente	Pedir inspeção e manutenção.
	Sistema de acionamento deficiente	Pedir inspeção e manutenção.
	Cabo do acelerador solto	Prender em segurança
O motor não para.	Sotar o conector	Prender em segurança
	Sistema elétrico irregular	Pedir inspeção e manutenção.
<div style="border: 1px solid black; padding: 5px; width: fit-content;"> Pôr o motor a trabalhar ao ralenti e colocar a alavanca de choke em "CLOSE". </div>		

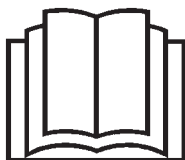
Quando o motor não arranca após o funcionamento de aquecimento:

Se não existirem problemas relativos aos itens da verificação, abra a borboleta do acelerador cerca de 1/3 e arranque o motor.

Mange tak fordi De har valgt denne Makita-blæser. Vi er glade for at kunne tilbyde Dem denne Makita-blæser, som er et resultat af et langt udviklingsprogram og mange års viden og erfaring.

Disse blæsermodeller kombinerer fordelene ved state-of-the-art teknologi med et ergonomisk design. De er lette, handy og kompakte og repræsenterer professionelt udstyr til mange forskellige anvendelser.

Vær venlig at læse, forstå og følge dette hæfte, som i detaljer refererer til de forskellige punkter, som vil demonstrere maskinens enestående ydelse. Dette vil hjælpe Dem med på sikker vis at opnå de bedst mulige resultater fra Deres Makita-blæser.



Indholdsfortegnelse

	Side
Symboler	142
Sikkerhedsinstruktioner	143
EU-konformitetserklæring	146
Tekniske data	147
Delenes betegnelse	148
Instruktioner for samling	149
Inden motoren startes	150
Anvendelse	152
Justering af tomgang	154
Forebyggelse af isdannelse på karburator	154
Anvendelsesmetode	155
Inspektion og vedligeholdelse	157
Opbevaring	159
Fejlfinding	161

SYMBOLER

Det er meget vigtigt, at De forstår de følgende symboler, når De læser denne instruktionsbog.

	ADVARSEL/FARE		Hold omkringstående personer væk
	Læs, forstå og følg anvisningerne i instruktionsbogen.		Brændstof (benzin)
	Forbudt		Motor-manuel start
	Ryging forbudt		Nødstop
	Ingen åben ild		Førstehjælp
	Der skal bruges beskyttelseshandsker		TIL/START
	Hold arbejdsområdet fri for alle personer og kæledyr		FRA/STOP
	Brug øjenbeskyttelse og høreværn		Amputering af finger eller hænder, vingehjulblad
	Varme overflader – Forbrændinger af fingre og hænder		Langt hår kan medføre ulykker, da det kan vikles ind i maskineriet.

SIKKERHEDSINSTRUKTIONER

Generelle instruktioner

- For at sikre korrekt og sikker anvendelse skal brugeren læse, forstå og følge anvisningerne i denne instruktionsbog for derved at gøre sig bekendt med håndteringen af blæseren (1). Brugere, som er utilstrækkeligt informeret, risikerer at udsætte sig selv og omkringstående for fare på grund af forkert håndtering.
- Det anbefales kun at udlåne blæseren til personer, som har bevist, at de har erfaring med blæsere.
- Lad altid instruktionsbogen følge med blæseren ved udlån.
- Førstegangsbrugere bør bede forhandleren om basale instruktioner med hensyn til at gøre sig bekendt med håndtering af blæseren.
- Børn eller unge mennesker under 18 år må ikke få lov til at anvende blæseren. Personer, som er over 16 år gamle, må imidlertid gerne bruge maskinen med det formål at blive trænet heri, men kun hvis de er under direkte opsyn af en kvalificeret instruktør.
- Brug altid blæsere med den største omhu og opmærksomhed.
- Brug kun blæseren, hvis De er i god fysisk form.
- Udfør alt arbejde samvittighedsfuldt og omhyggeligt. Brugeren må påtage sig ansvaret for andre.
- Brug aldrig blæseren under indflydelse af alkohol eller medicin (2).
- Brug ikke blæseren, hvis De er træt.
- Gem disse instruktioner til fremtidig reference.

Personligt beskyttelsesudstyr

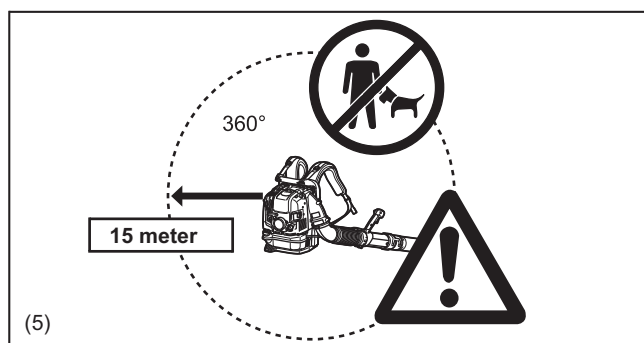
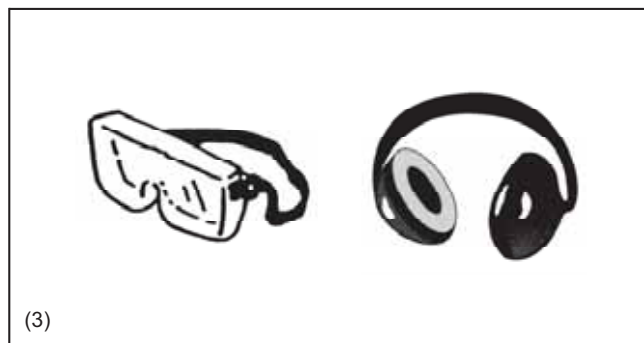
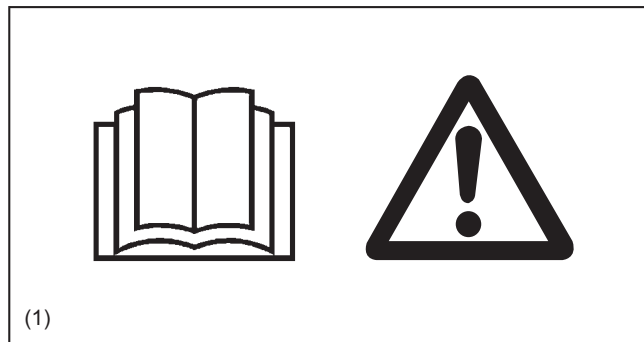
- Det anvendte tøj bør være funktionelt og velegnet, d.v.s. at det skal være stramtsiddende, men ikke hindrende. Bær ikke smykker, tøj eller langt hår, som kan trækkes ind i luftindtaget.
- For at undgå hoved-, øjen-, hånd- eller fodskader såvel som med det formål at beskytte Deres hørelse, skal De bære det følgende beskyttelsesudstyr og beskyttende tøj, når blæseren anvendes.

Vær særlig opmærksom på følgende forskrifter

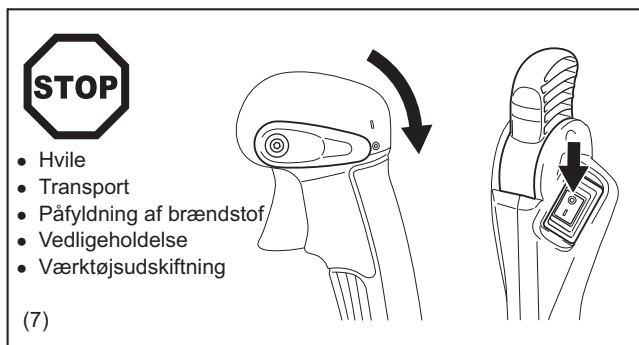
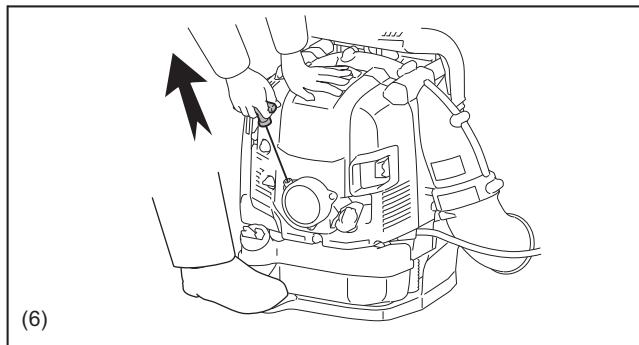
- Tøjet skal være kraftigt og tætsiddende, men skal samtidigt tillade fuld bevægelsesfrihed. Undgå løsthængende jakker, bukser med for stor vidde eller opslag, tørklæder, utæmmet hår eller noget, der kan blive trukket ind i luftindtaget (4). Bær overalls eller lange bukser for at beskytte benene. Bær ikke korte bukser. (4)
- Generelt er motorprodukter støjende, og deres støj kan skade Deres hørelse. Brug lydafsækning (ørepropper og høreværn) for at beskytte Deres hørelse. Kontinuerlige og regelmæssige brugere bør få deres hørelse undersøgt med jævne mellemrum. (3)
- Brug af handsker under arbejdet med blæseren anbefales. Bær solide sko med skridsikre såler. (4)
- Passende øjenbeskyttelse er nødvendig. Skønt udledningen er rettet bort fra operatøren, kan der forekomme rikoletter og tilbageslag under anvendelse af blæseren. (3)
- Brug aldrig blæseren uden beskyttelsesbriller eller korrekt tilpassede sikkerhedsbriller med tilstrækkelig top- og sidebeskyttelse, som er i overensstemmelse med EN166 og reglerne i Deres land.
- For at reducere risikoen for tilskadekomst i forbindelse med inhalering af støv, skal man anvende ansigtsfiltermaske på steder, hvor der er støv.

Start af blæseren

- Kontroller, at der ikke er børn eller andre personer inden for et arbejdsområde på 15 m (5), og vær ligeledes opmærksom på dyr, som måtte befinde sig i arbejdsområdet. Brug aldrig blæseren i bymæssige områder.
- Kontroller altid, inden arbejdet påbegyndes, at det er sikkert at anvende blæseren:
Kontroller sikkerheden af gashåndtaget. Det skal kontrolleres, at gashåndtaget bevæger sig nemt og problemfrit. Kontroller, at gashåndtagsslåsen fungerer ordentligt. Kontroller, at håndtagene er rene og tørre og test funktionen af I-O knappen. Hold håndtagene fri for olie og brændstof.

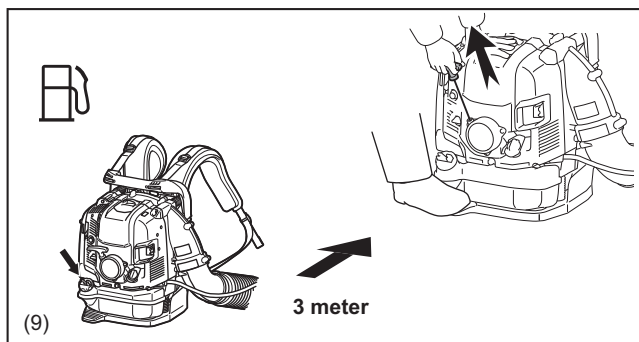
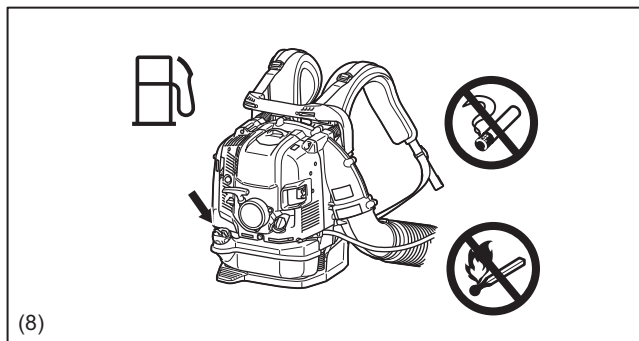


- Start kun blæseren som beskrevet i instruktionerne. Start ikke motoren ved hjælp af andre metoder (6).
- Brug kun blæseren og de værktøjer, der leveres, til de specificerede anvendelser.
- Start ikke blæsermotoren, før hele maskinen er samlet. Anvendelse af maskinen er kun tilladt, efter at alle de korrekte tilbehørsdele er påmonteret.
- Der skal straks slukkes for motoren, hvis der opstår motorproblemer.
- Under arbejde med blæseren skal De altid holde godt fast i håndtaget og holde kontrolhåndtaget mellem tommelfinger og pegefinger. Hold hånden i denne stilling, så maskinen til enhver tid er under kontrol. Sørg for, at kontrolhåndtaget er i god stand og fri for fugt, beg, olie eller fedt. Sørg altid for et sikkert og velbalanceret fodfæste.
- Bær blæseren på korrekt vis på begge skuldre under brugen. Bær ikke blæseren med brug af kun en af skulderremmene. Dette kan resultere i tilskadekomst.
- Brug blæseren på en sådan måde, at inhalering af udstødsgasser undgås. Køb aldrig motoren i lukkede rum (risiko for kvælning og gasforgiftning). Kulilte er en lugtfri gas. Sørg altid for tilstækkelig ventilation.
- Sluk for motoren, hvis De holder en pause eller efterlader blæseren uovervåget. Anbring blæseren på et sikkert sted for ikke at udsætte andre for fare, antænde brændbare materialer eller øve skade på maskinen.
- Læg aldrig en varm blæser oven på tørt græs eller brændbare materialer.
- Alle de beskyttelsesdele og afskærmninger, der leveres med maskinen, skal anvendes under brugen.
- Brug aldrig maskinen med en defekt udstødslydpotte.
- Sluk for motoren under transport (7).
- Anbring blæseren sikkert, når den transporteres med bil eller lastbil, for at undgå lækage af brændstof.
- Sørg for, inden blæseren transporteres, at brændstoftanken er helt tom.
- Bær blæseren i dens bærehåndtag. Træk ikke blæseren i dens mundstykke, rør eller andre dele.
- Når blæseren transporteres, skal man bøje knæene og sikre sig, at skuldre og nederste del af ryggen ikke kommer til skade.



Påfyldning af brændstof

- Sluk for motoren under påfyldning (7), hold en god afstand fra åben ild (8) og lad være med at ryge.
- Undgå hudkontakt med petroleumsprodukter. Inhalér ikke brændstofdamp. Bær altid beskyttelseshandsker under brændstofpåfyldning. Skift det beskyttende tøj og rens det med jævne mellemrum.
- Vær påpasselig med ikke at komme til at spilde hverken brændstof eller olie, så jorden ikke forurenes (miljøbeskyttelse). Rengør straks blæseren, hvis der er spildt olie. Lad vådt tøj tørre, inden De anbringer det i en korrekt lukket beholder for at undgå at det spontant bryder i brand.
- Undgå al brændstofkontakt med Deres tøj. Skift øjeblikkeligt tøj, hvis der er spildt brændstof på det (brandfare).
- Inspicér brændstoftæppen med jævne mellemrum, så De sikrer Dem, at den sidder godt fast.
- Stram omhyggeligt brændstoftankens låseskrue. Skift sted for start af motoren (mindst 3 meter fra det sted, hvor brændstofpåfyldning foretoges) (9).
- Foretag aldrig brændstofpåfyldning i lukkede rum. Brændstofdampe akkumuleres i jordniveau (risiko for eksplosion).
- Brændstof må kun transporteres og opbevares i godkendte beholdere. Sørg for, at børn ikke har adgang til oplagret brændstof.
- Forsøg ikke at fylde brændstof på en varm eller kørende motor.



Anvendelsesmetode

- Brug kun blæseren i godt lys og hvor sigtbarheden er god. Vær på vagt over for glatte eller våde områder, is og sne (risiko for at glide) samt snævre områder.
Sørg altid for et sikkert fodfæste.
- Arbejd aldrig på ustabile overflader eller i stejlt terræn.
- Undlad at arbejde fra stiger eller høje steder. Dette kan resultere i tilskadekomst.
- For at reducere risikoen for personskade må man ikke rette luftstrømmen mod omkringstående, da luftstrømmens høje tryk kan skade øjnene og blæse små genstande med stor hastighed.
- Stik aldrig fremmedlegemer ind i luftindtaget på maskinen eller ind i blæserens mundstykke. Dette vil beskadige ventilatorhjulet og kan medføre, at operatøren eller omkringstående kommer alvorligt til skade som et resultat af, at en genstand eller en brækket del bliver slynget ud med stor hastighed.
- Vær opmærksom på vindretningen, d.v.s. arbejd ikke i modvind.
- For at reducere risikoen for at snuble og miste herredømmet over blæseren, må man ikke gå baglæns, når man bruger maskinen.
- Sluk altid for motoren, inden De rengør eller servicerer maskinen eller dens udskiftningsdele.
- Hold en pause, så De ikke mister herredømmet over maskinen på grund af træthed. Vi anbefaler, at De holder en pause på 10 til 20 minutter hver time.
- Brug ikke maskinen i nærheden af vinduer etc.
- For at reducere beskadigelse forårsaget af vibration og/eller risiko for skade på hørelsen, skal man om muligt anvende maskinen ved lav hastighed og begrænse brugstiden.
- Brug kun maskinen på rimelige tidspunkter. Brug ikke blæseren om morgenen eller sent om aftenen, da dette kan forstyrre andre mennesker.
- Det anbefales at bruge river og koste til at løsne affald inden blæsning.
- Fugt inden blæsning overfladerne en smule på steder med støv eller brug om nødvendigt en havesprøjte.
- Indstil længden af blæsermundstykket således, at luftstrømmen kan arbejde nær jorden.
- For at reducere lydniveauet, skal man begrænse det antal udstyrsdele, som man anvender ad gangen.

Efter anvendelse af blæsere og andet udstyr, GØR RENT! Smid affald i affaldsbeholdere.

Instruktioner for vedligeholdelse

- Tag hensyn til miljøet. Brug blæseren med så lidt støj og forurening som muligt. Kontroller specielt, at karburatoren er korrekt justeret.
- Rengør blæseren med jævne mellemrum og kontroller, at alle skruer og møtrikker er godt strammet.
- Man må aldrig servicere eller opbevare blæseren i nærheden af åben ild, gnister etc. (11).
- Opbevar altid blæseren i et velventileret, aflåst rum og med en tømt brændstoftank.

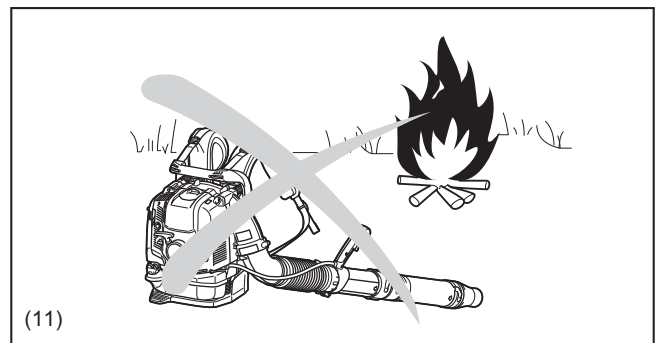
lagttag og følg alle relevante instruktioner om forebyggelse af ulykker, som er udstedt af handelsforeninger og forsikringsselskaber. Foretag ikke nogen ændringer af blæseren, da dette vil udgøre en sikkerhedsrisiko.

Ydelsen af vedligeholdelses- eller reparationsarbejde af brugeren er begrænset til de aktiviteter, som er beskrevet i denne instruktionsbog. Alt andet arbejde skal udføres af autoriserede serviceagenter.

Brug kun ægte reservedele og tilbehør, som er fremstillet af Makita.

Brug af tilbehør og værktøjer, som ikke er godkendt, betyder øget risiko for ulykker og tilskadekomst. Makita påtager sig intet ansvar for ulykker og beskadigelse, som er forårsaget af anvendelse af tilbehør og ekstraudstyr, som ikke er godkendt.

Man må aldrig foretage ændringer af udstyret. Dette kan forårsage farlige ulykker og/eller tilskadekomst.

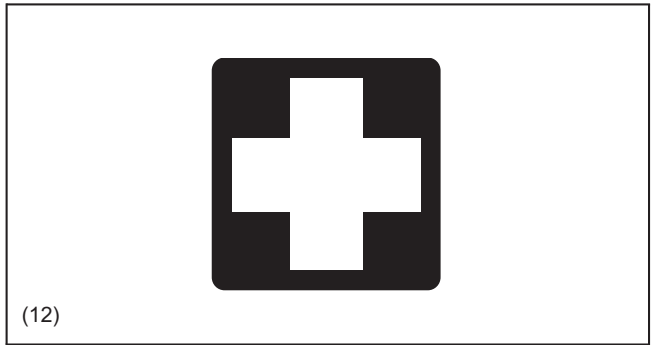


Førstehjælp

Sørg for at en velforsynet førstehjælpskasse findes i nærheden af arbejdsstedet, hvis der skulle ske en ulykke. Erstat straks enhver ting, som er fjernet fra førstehjælpskassen.

Giv følgende information, når De beder om hjælp:

- Ulykkens lokalitet
- Hvad der er sket
- Antal tilskadedkomne personer
- Beskaffenheden af tilskadedkomsten
- Deres navn



Gælder kun lande i Europa

EU-konformitetserklæring

Vi, Makita Corporation som den ansvarlige producent, erklærer at den følgende maskine (maskiner) fra Makita:

Maskinens type: Benzindrevet blæseapparat

Modelnr./ Type: EB7650TH, EB7650WH

Specifikationer: se oversigten "TEKNISKE DATA"

er seriefremstillet og

overholder de følgende europæiske direktiver:

2000/14/EU, 2006/42/EU

og er fremstillet i overensstemmelse med de følgende standarder eller standardiserede dokumenter:

EN15503

Den tekniske dokumentation opbevares af vores autoriserede repræsentant i Europa, som er:

Makita International Europe Ltd.,

Michigan Drive, Tongwell, Milton Keynes, Bucks MK15 8JD, England

Proceduren for konformitetsfastsættelse, som kræves i Direktiv 2000/14/EU, er i overensstemmelse med tillæg V.

Målt lydbelastningsniveau: 110 dB

Garanteret lydbelastningsniveau: 111 dB

6. 8. 2013



Tomoyasu Kato
Direktør

Makita Corporation
3-11-8, Sumiyoshi-cho,
Anjo, Aichi, JAPAN

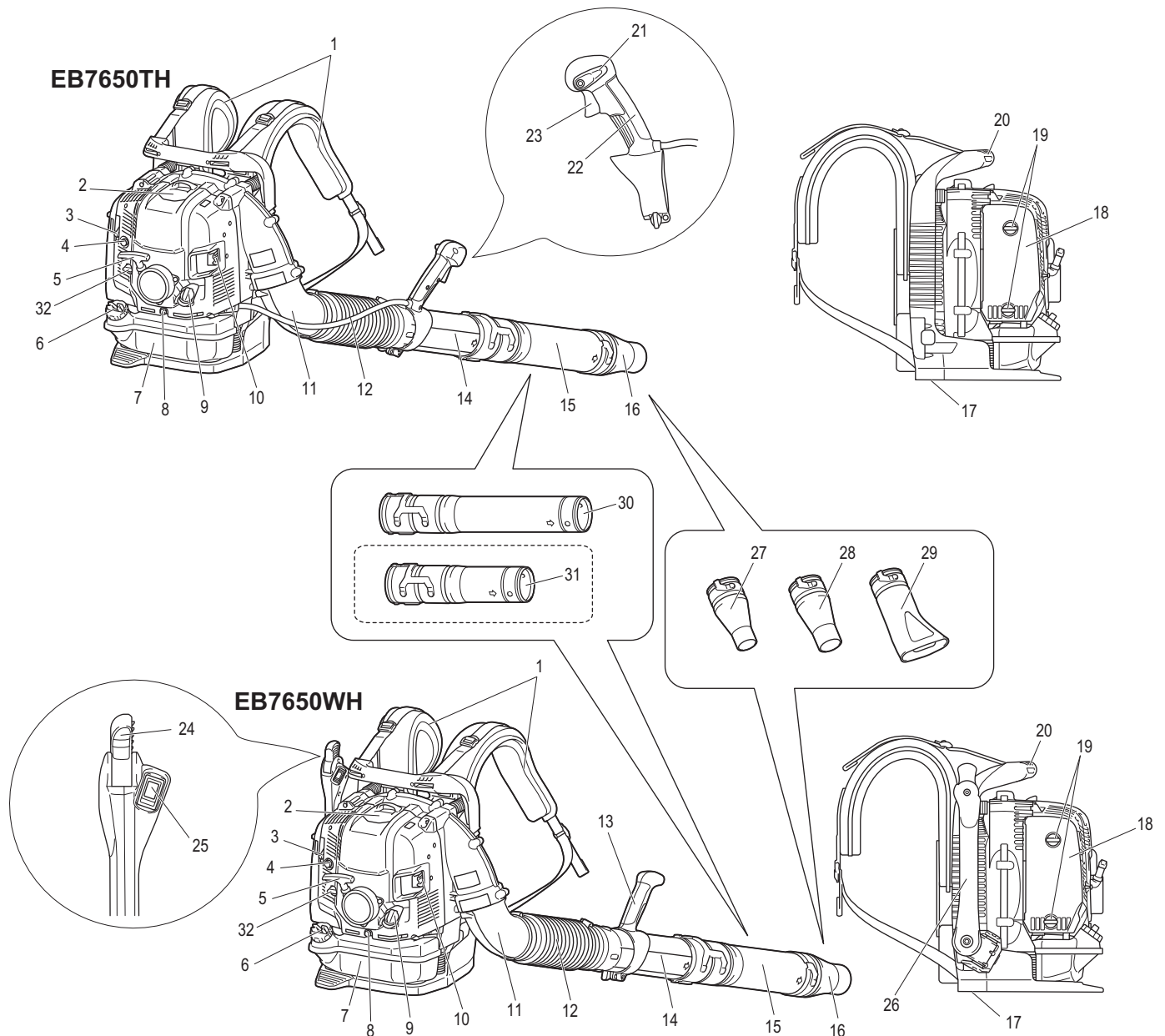
TEKNISKE DATA

Model				EB7650TH	EB7650WH			
Gasspjældtype				Rørgasspjæld	Hoftegasspjæld			
Vægt (uden blæserrør) (kg)				10,8	11,0			
Mål (uden blæserrør L x B x H) (mm)				332 x 460 x 480	332 x 510 x 480			
Lufthastighed	(med langt rør)	(med hastigheds mundstykke)	(m/s)	89				
		(med volumen mundstykke)		81				
		(med fladt mundstykke)		86				
	(med kort rør)	(med hastigheds mundstykke)		90				
		(med volumen mundstykke)		81				
		(med fladt mundstykke)		87				
Luftvolumens strømningshastighed	(med langt rør)	(med hastigheds mundstykke)	(m ³ /minut)	17				
		(med volumen mundstykke)		19				
		(med fladt mundstykke)		17				
	(med kort rør)	(med hastigheds mundstykke)		17				
		(med volumen mundstykke)		19				
		(med fladt mundstykke)		17				
Maks. motorhastighed (med hastigheds mundstykke) (min ⁻¹)				7 100				
Tomgangshastighed (min ⁻¹)				2 800				
Motorslagvolumen (cm ³)				75,6				
Brændstof				Automobilbenzin				
Brændstoftanks kapacitet (cm ³)				1 900				
Motorolie				API kvalitet SF klasse eller højere, SAE 10W-30 olie (automobil 4-takts motorolie)				
Motorolievolumen (cm ³)				220				
Karburator (type)				Membran				
Tændrør				NGK CMR6A				
Elektrodeafstand (mm)				0,7 – 0,8				
Vibration pr. EN15503 2009	Højre håndtag	a _{h_v eq}	(med langt rør)	(med hastigheds mundstykke)	(m/s ²)	2,5	2,7	
				(med volumen mundstykke)		2,3	2,3	
				(med fladt mundstykke)		4,1	4,8	
		(med kort rør)	(med hastigheds mundstykke)	3,1		2,7		
			(med volumen mundstykke)	2,8		2,3		
			(med fladt mundstykke)	3,7		5,1		
	Usikkerhed K					2,2	3,0	
	Venstre håndtag (kontrolarm)	a _{h_v eq}	(med langt rør)	(med hastigheds mundstykke)			0,7	
				(med volumen mundstykke)			0,7	
				(med fladt mundstykke)			0,9	
			(med kort rør)	(med hastigheds mundstykke)			0,8	
				(med volumen mundstykke)			0,7	
				(med fladt mundstykke)			0,9	
		Usikkerhed K					0,5	
		Gemiddelt geluidsdrumniveau volgens EN15503: 2009				L _{PA eq} dB(A)	100	
						Usikkerhed K dB(A)	1,5	
	Gemiddelt geluidsvermogniveau volgens EN15503: 2009					L _{WA eq} dB(A)	110	
						Usikkerhed K dB(A)	1,0	

Bemærk:

- Grundet vores kontinuerlige forsknings- og udviklingsprogram kan nærværende specifikationer ændres uden varsel.
- Specifikationerne kan være forskellige fra land til land.

DELENES BETEGNELSE



1. Skulderrem	9. Oliehætte	17. Luftindtagsnet (nederst)	25. Stopknap
2. Tændrørsdæksel	10. Lydpotte	18. Luftfilterdæksel	26. Kontrolarm
3. Chokerarm	11. Albue	19. Bolt (på luftfilterdæksel)	27. Hastigheds mundstykke
4. Spædepumpe	12. Fleksibelt rør	20. Bærehåndtag	28. Volumen mundstykke
5. Starterknap	13. Håndtagsenhed	21. Stopkontrolarm	29. Fladt mundstykke
6. Brændstoftankhætte	14. Svingslæde	22. Kontrolhåndtag	30. Langt rør
7. Brændstoftank	15. Rør (langt/kort)	23. Gasspældstrigger	31. Kort rør (ekstraudstyr)
8. Oliedrænbolt	16. Mundstykke	24. Gashåndtag	32. Anti-isdannelsesarml

• Standardtilbehør kan være forskelligt fra land til land.

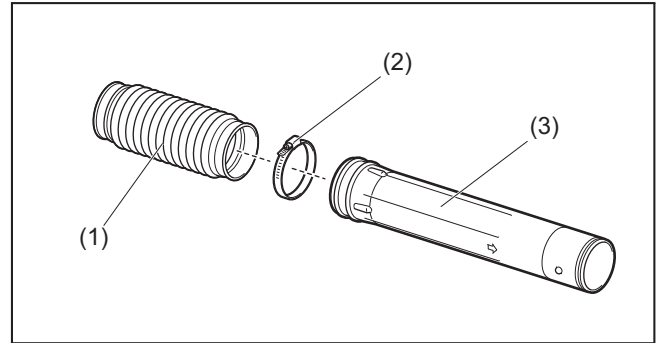
INSTRUKTIONER FOR SAMLING

SAMLING AF BLÆSERRØR

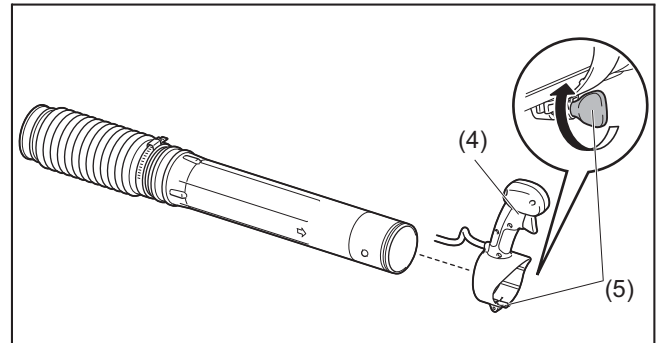
⚠ FORSIGTIG:

- Inden der udføres noget arbejde på blæseren, skal man altid stoppe motoren og trække tændrørskontakterne ud af tændrøret. Bær altid beskyttelseshandsker!
- Start ikke blæseren, før den er helt samlet.
- Bær altid beskyttelseshandsker!

1. Sæt svingslæden (3) ind i det fleksible rør (1) og stram den med slangebåndet (2).



2. Monter kontrolhåndtaget / håndtagsenheden (4) på svingslæden og stram dem med blokeringsskruen (5).

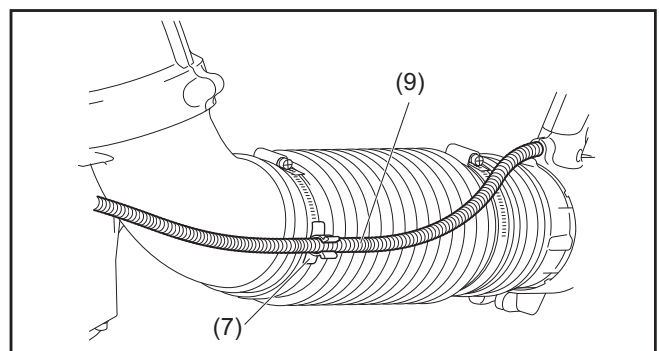
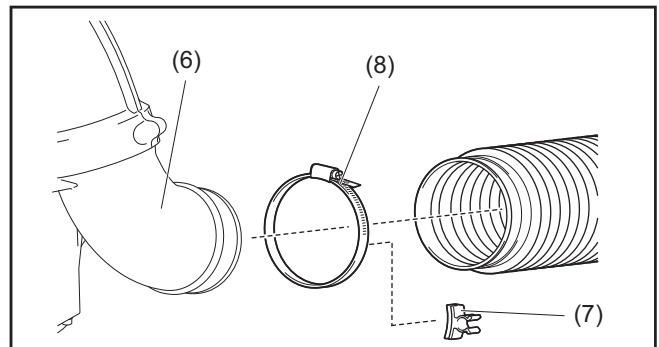


3. For model med rørgasspjæld

Sæt det fleksible rør på albuen (6) på blæseren.
Monter kabelholderen (7) mellem slangebåndet (8) og albuen.
Stram kabelholderen, det fleksible rør og albuen med slangebåndet.
Sæt kontrolkablet (9) på kabelholderen (7).

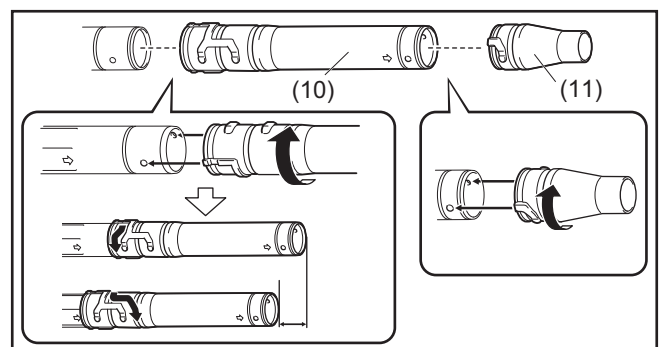
For model med hoftegasspjæld

Sæt det fleksible rør på albuen (6) på blæseren.
Stram det fleksible rør og albuen med slangebåndet (8).



4. Monter det lange/korte rør (10) med svingslæden. Drej det lange/korte rør i retningen med uret for at låse det på plads.
Monter derefter blæsermundstykket (11) med det lange/korte rør. Drej blæsermundstykket med uret for at låse det på plads.

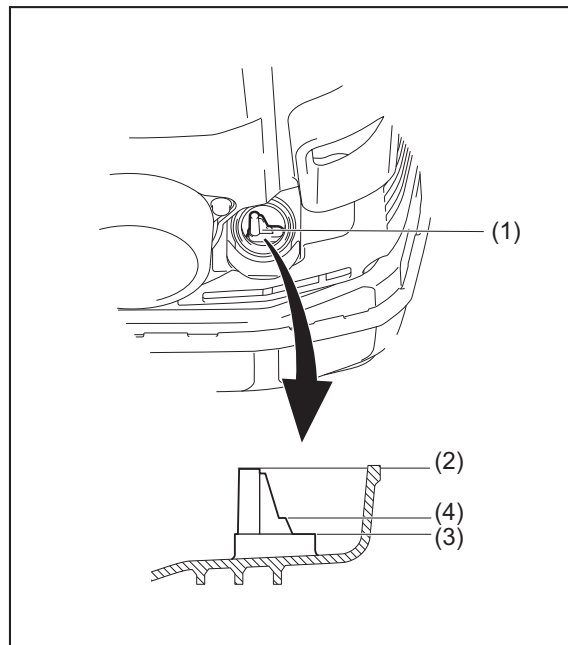
5. Kontroller, at alle tilspændinger er stramme.



INDEN MOTOREN STARTES

1. Kontrol og påfyldning af motorolie

- 1) Udfør den følgende procedure med motoren kølet af. Ellers kan hudforbrændinger blive resultatet.
 - Inspektion: Anbring blæseren på en plan flade og fjern oliehaten. Tjek oliemåleren (1). Sørg for, at oliestanden er inden for det øvre (2) og nedre (3) grænsemærke. Hvis olien ikke er op til 100 ml niveauet (4), skal der fyldes op med ny olie.
 - Påfyldning af olie: Anbring blæseren på en plan flade og fjern oliehaten. Fyld olie op til den øvre grænse på oliestandsmåleren.
- 2) I gennemsnit skal der tilføjes motorolie efter hver 20 timers brug (hver 10 – 15 påfyldninger).
- 3) Skift olien, når den er blevet snavset eller det er tydeligt, at den har skiftet farve. (Vi henviser til **“Udskiftning af motorolie”** angående fremgangsmåden for olieskift og hyppigheden af denne.)



Anbefalet olie: Original Makita olie eller SAE10W-30 olie af API type SF kvalitet eller bedre (4-takts motorolie til automobiler)
Oliekapacitet: Ca. 0,22 L (220 ml)

BEMÆRK:

- Hvis blæseren ikke opbevares i opret stilling, kan olien flyde fra oliestandsmåleren ind i motoren og give en forkert udlæsning, når oliestanden kontrolleres. Dette kan resultere i en utilsigtet overopfyldning, når der fyldes olie på. Opbevar altid blæseren i opret stilling.
- Hvis der fyldes for meget motorolie på, kan motorolien løbe ud fra ånderøret i filteret og tilsmudse de omgivende dele, eller der kan opstå hvid røg på grund af, at overskydende olie brænder.

Udskiftning af olie “Oliehatte”

- Fjern støv eller snavs i nærheden af oliepåfyldningsåbningen, og tag oliehaten af.
- Hold den aftagne oliehatte fri for sand og støv. Ellers kan sand eller støv, der sidder på oliehaten, forårsage uregelmæssig olie-cirkulation eller slitage på motordelene, hvilket vil resultere i problemer.

Efter påfyldning af olie

- Tør al spildt olie bort med en klud.

2. Brændstofpåfyldning

ADVARSEL:

- Når der fyldes brændstof på maskinen, skal man altid overholde de følgende instruktioner for at forebygge antændelse, brand eller tilskadekomst.
 - Brændstofpåfyldning skal udføres på et sted, hvor der ikke er åben ild. Lad ikke åben ild (rygning etc.) komme i nærheden af det sted, hvor der fyldes brændstof på.
 - Stop motoren og lad den køle af, inden der fyldes brændstof på.
 - Foretag påfyldning på en plan flade. Påfyld ikke brændstof på et ustabilt eller dårligt ventileret sted.
 - Påfyldning skal udføres, hvor lyset er godt og sigtbarheden god.
 - Foretag påfyldning på et åbent, ryddeligt sted.
 - Åbn brændstoftankens hætte langsomt. Brændstoffet kan løbe ud på grund af internt tryk.
 - Vær forsigtig med ikke at spilde brændstoffet. Al spildt brændstof skal tørres bort.
 - Foretag brændstofpåfyldning på et velventileret sted.
- Håndter brændstoffet med forsigtighed.
 - Brændstof, der er kommet på huden eller i øjnene, kan medføre allergier eller irritation. Ret straks henvendelse til en speciallæge, hvis der registreres nogen unormale, fysiske tilstande.
- Kom IKKE olie i brændstoftanken.

OPBEVARINGSVARIGHED FOR BRÆNDSTOF

Brændstof bør bruges inden for en periode af 4 uger, selv hvis det opbevares i en speciel beholder på et velventileret og skyggefuldt sted. Ellers kan brændstoffet forringes på kun en enkelt dag.

Opbevaring af maskinen og opfyldningstanken

- Opbevar maskinen og tanken på et køligt sted uden direkte sol.
- Opbevar aldrig brændstoffet i en bil.

BRÆNDSTOF

Motoren er en 4-takts motor. Sørg for at anvende automobilbenzin (almindelig benzin eller superbenzin).

Om brændstof

- Brug aldrig en benzinblanding, som indeholder motorolie. Dette vil medføre en ekstrem akkumulering af kul eller mekaniske problemer.
- Brug af forringet olie vil medføre uregelmæssig opstart.

Ved påfyldning skal motoren stoppes og man skal vente til motoren er kølet af.

PÅFYLDNINGSMETODE

- Løsn tankhætten en smule for at lette trykket i tanken.
- Tag tankhætten af og fyld brændstof på, idet De lader luft sive ud ved at vippe brændstoftanken således, at påfyldningsåbningen vender opad. Fyld IKKE brændstof på op til randen af tanken.
- Stram tankhætten godt til efter påfyldningen.
- Hvis der er fejl i eller skade på tankhætten, skal den skiftes ud.
- Tankhætten slides op i tidens løb. Skift den ud hvert andet eller tredje år.
- Kom IKKE brændstof i oliepåfyldningsåbningen.

ANVENDELSE

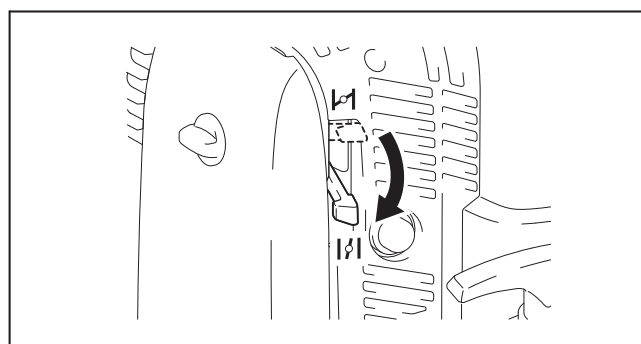
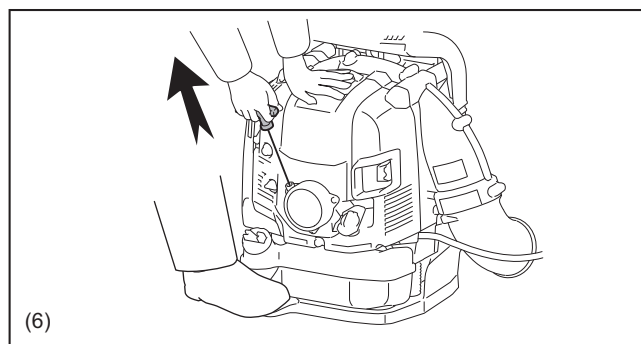
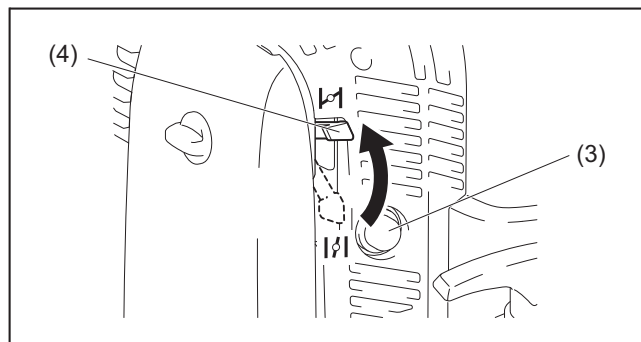
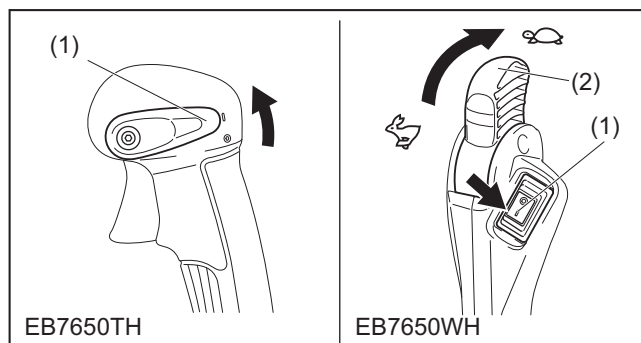
1. Start

⚠ ADVARSEL:

- Forsøg aldrig at starte motoren på et sted, hvor brændstof er blevet fyldt på.
 - Dette kan medføre antænding eller brand. Når motoren startes, skal der holdes en afstand på mindst 3 m.
- Udstødsgas fra motoren er giftigt. Køør ikke motoren på dårligt ventilerede steder, som f.eks. i en tunnel, en bygning etc.
 - Hvis motoren køøres på dårligt ventilerede steder, kan udstødsgassen medføre forgiftning.
- Hvis der registreres nogen unormal lyd, lugt eller vibration efter start, skal man straks stoppe motoren og foretage en inspektion.
 - Hvis motoren køøres, uden at der tages hensyn til sådanne unormale tilstande, kan der opstå ulykker.
- Rør ikke ved det varme motordæksel. Ellers kan hudforbrændinger blive resultatet.
- Kontroller, at der ikke er nogen brændstoftækager, inden De starter motoren.
- Kontroller, at motoren stopper, når stopknappen sættes til "O" stilling.

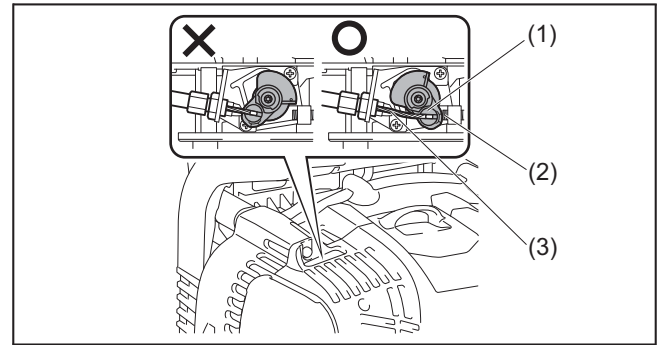
1) Hvis motoren er kold eller efter brændstofpåfyldning (koldstart)

- (1) Anbring blæseren på en plan overflade.
- (2) For model med rørgasspjæld
Sæt stopkontrolarmen (1) i "I" stilling.
- (2) For model med hoftegasspjæld
Sæt stopknappen (1) i "I" stilling.
Bekræft, at gashåndtaget (2) er sat til stillingen for lav hastighed.
- (3) Fortsæt med at trykke på fødepumpen (3), indtil der kommer brændstof ind i fødepumpen.
 - Generelt vil der komme brændstof ind i kaburatoren efter 7 til 10 tryk.
 - Selv hvis der trykkes mange gange på fødepumpen, vil overskydende benzin returnere til brændstoftanken.
- (4) Hæv chokerarmen (4) til den lukkede stilling.
- (5) Træd på pedalen med højre fod og hold toppen af enhedens dæksel med venstre hånd for at forhindre motoren i at bevæge sig.
- (6) Træk starterhåndtaget langsomt ud, indtil kompression mærkes.
Træk derefter kraftigt i det.
 - Træk aldrig rebet ud til dets fulde længde.
 - Lad starterknappen gå forsigtigt tilbage i huset. Ellers kan den udløste starterknapp ramme dig eller den vil måske ikke genopspole korrekt.
- (7) Når motoren starter, sættes chokerarmen ned til åben stilling.
 - Åbn chokerarmen helt, når De kontrollerer motordriften.
 - Ved lave temperaturer eller hvis motoren ikke er varm nok, må man aldrig åbne chokerarmen pludseligt. Dette kan medføre, at motoren stopper.
- (8) Fortsæt opvarmningen i 2 til 3 minutter.
- (9) Opvarmningen er færdig, når en hurtig motor-acceleration fra lave omdr./min. til fuld gas mærkes.



BEMÆRK:

- Motoren kan lide skade, hvis chokerarmen flyttes yderligere forbi "CLOSE" stillingen.
- Hvis motoren tænder og stopper, skal denne arm returneres til "OPEN"-stillingen og man skal trække flere gange i starterhåndtaget for at starte motoren igen.
- Hvis operatøren bliver ved med at trække i starterhåndtaget flere gange med chokerarmen i "CLOSE" stillingen, kan det være vanskeligt at starte motoren på grund af overstrømning af brændstof.
- I tilfælde af overstrømning skal man fjerne tændrøret og trække flere gange hurtigt i håndtaget for at eliminere alt overskydende brændstof. Tør tændrørets elektrode.
- Hvis drosselventilen (1) ikke returnerer til en stilling i kontakt med tomgangsjusteringsskruen (2), selv hvis gashåndtaget er sat til lav hastighed, skal kontrolkablets (3) kontaktstatus korrigeres for at sikre en rigtig retur af ventilen.

**2) Hvis motoren er varm (varm start)**

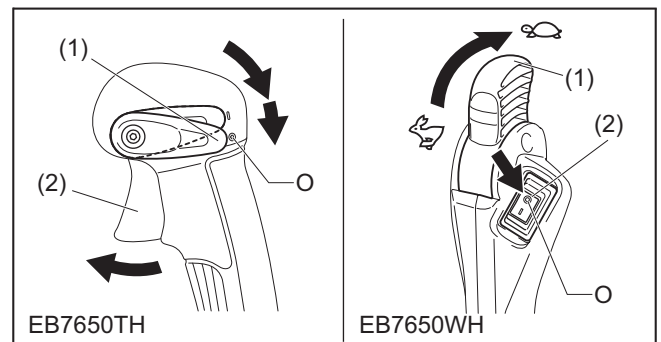
- (1) Anbring motoren på en plan overflade.
- (2) Tryk flere gange på spædepumpen.
- (3) Bekræft, at chokerarmen er åben.
- (4) Træd på pedalen med højre fod, og hold på den øverste del af enheden med venstre hånd for at forhindre, at motoren bevæger sig.
- (5) Træk langsomt i starterhåndtaget, indtil kompression mærkes. Træk derefter kraftigt i det.
- (6) Hvis motoren er svær at starte, skal man åbne drosselventilen med omkring 1/3.

2. Stop**For model med rørgasspjæld**

Frigør gasspjældstriggeren (2) og sæt derefter stopkontrolarmen (1) til "O" stilling.

For model med hoftegasspjæld

Sæt gashåndtaget (1) til stillingen for lav hastighed for at reducere motorhastigheden. Sæt derefter stopknappen (2) til "O" stilling.



JUSTERING AF TOMGANG

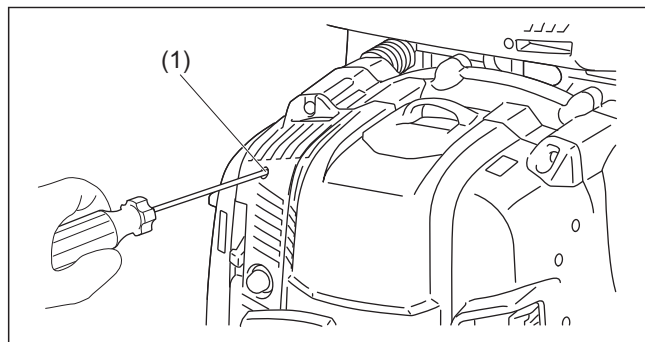
⚠ FORSIGTIG:

- Karburatoren er indstillet på fabrikken. Justér aldrig andet end tomgangindstillingen. Andre justeringer skal udføres af et autoriseret Makita-servicecenter.

Kontrol af rotation med lav hastighed

Indstil rotationen med lav hastighed til 2 800 omdr./m.

- Hvis det er nødvendigt at ændre rotationshastigheden, skal man regulere tomgangsjusteringsskruen (1) med en stjerneskruetrækker.
- Drej justerskruen til højre, og motorhastigheden vil øges. Drej justerskruen til venstre, og motorhastigheden vil mindskes.



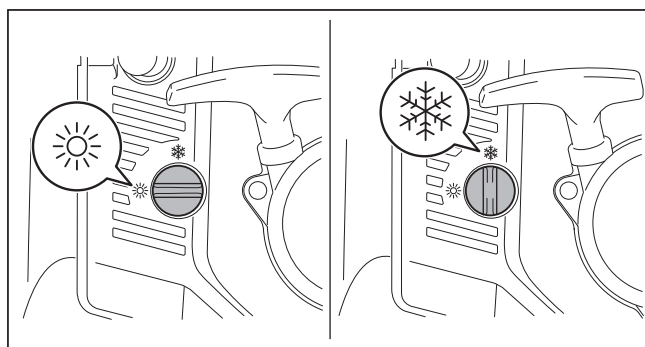
FOREBYGGELSE AF ISDANNELSE PÅ KARBURATOR

⚠ FORSIGTIG:

- Hvis den omgivende temperatur er højere end 10°C, skal man altid returnere armen til normal (solmærke) indstilling. Ellers kan motoren lide skade på grund af overophedning.

Hvis den omgivende temperatur er lav og luftfugtigheden er høj, kan vanddampe fryse inden i karburatoren og motoren køre ustabilt (isdannelse i karburator). Ændr om nødvendigt indstillingen af anti-isdannelsesarmen som følger.

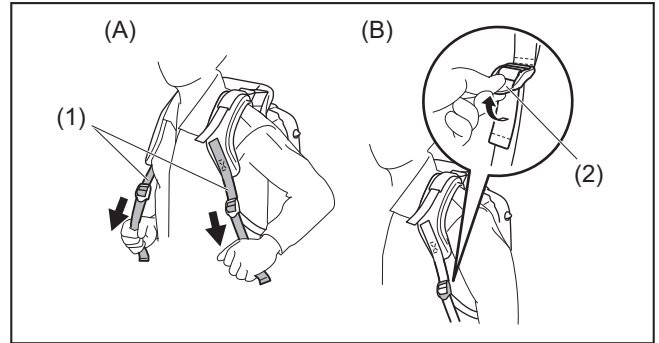
- Omgivende temperatur er højere end 10°C: Drej armen til normal stilling (solmærke)
- Den omgivende temperatur er lig med eller lavere end 10°C: Drej armen til stillingen for anti-isdannelse (snemærke).



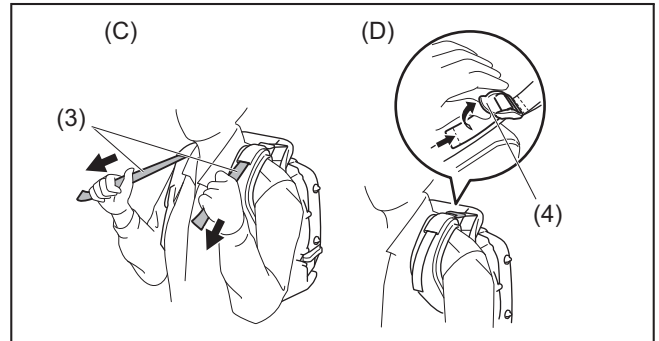
ANVENDELSESMETODE

1. Justering af skulderremmen

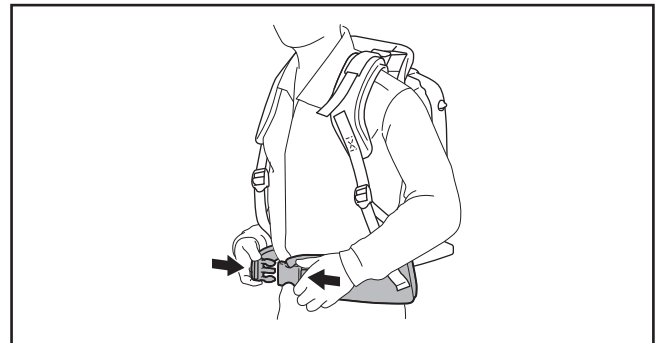
Indstil skulderremmen (1) til en længde, der er bekvem at arbejde med, når De bærer blæseren. For at fastgøre (A) remmen, skal man trække enden af remmen nedad. For at løsne (B) remmen, skal man trække enden af fastgørringsanordningen (2) opad.



Træk i stabiliseringsremmen (3), indtil der ikke er noget mellemrum mellem Deres ryg og blæserhuset. For at fastgøre (C) remmen, skal man trække enden af remmen nedad. For at løsne (D) remmen, skal man trække enden af fastgørringsanordningen (4) opad.



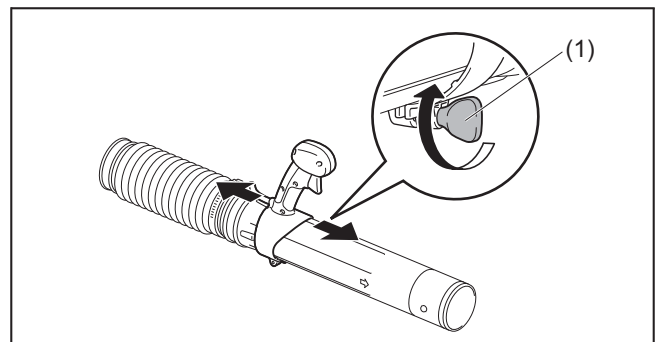
Hofteremmen (ekstraudstyr) gør det muligt for operatøren at bære maskinen mere stabilt.



2. Indstilling af kontrolarmen

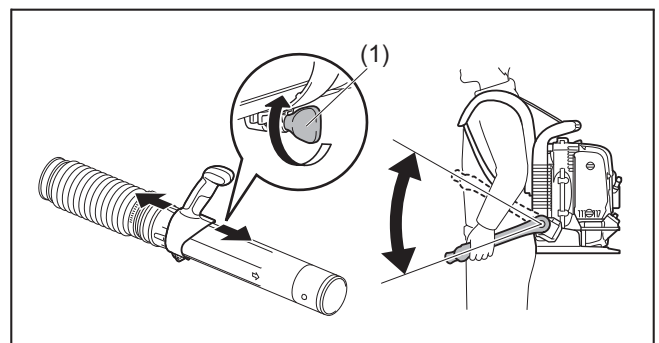
For model med rørgasspjæld

Flyt kontrolhåndtaget langs svingslæderøret til den mest bekvemme stilling. Stram derefter kontrolhåndtaget med skruen (1).



For model med hoftegasspjæld

Flyt håndtagsenheden langs svingslæderøret til den mest bekvemme stilling. Stram derefter håndtaget med skruen (1). Justér vinklen af kontrolarmen, så den mest bekvemme anvendelse opnås.



3. Betjening af blæseren

- 1) Justér, mens blæseren kører, gasspjældstriggeren/gashåndtaget således, at vindkraften er passende til arbejdsstedet og -forholdene.
- 2) Indstilling af motorhastighed

For model med rørgasspjæld

Motorhastigheden øges ved at man trækker i gasspjældstriggeren (1). For at mindske motorhastigheden, slippes gasspjældstriggeren.

Indstilling af motorhastigheden med hastighedskontrolfunktionen: Hastighedskontrolfunktionen giver operatøren mulighed for at opretholde en konstant motorhastighed uden anvendelse af triggerarmen.

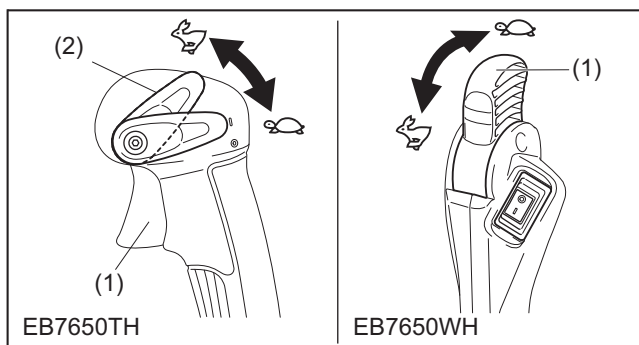
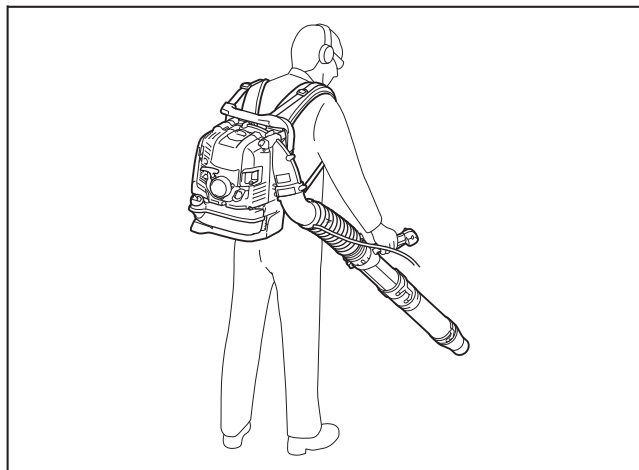
For at øge motorhastigheden skal man dreje stopkontrolarmen (2) til høj hastighed.

For at mindske motorhastigheden skal man dreje stopkontrolarmen til lav hastighed.

For model med hoftegasspjæld

For at øge motorhastigheden, skal man dreje gashåndtaget (1) til høj hastighed.

For at mindske motorhastigheden, skal man dreje gashåndtaget til lav hastighed.



TRANSPORT OG OPBEVARING AF BLÆSEREN

⚠ FORSIGTIG:

- Sørg for at motoren er stoppet, når blæseren transporteres.

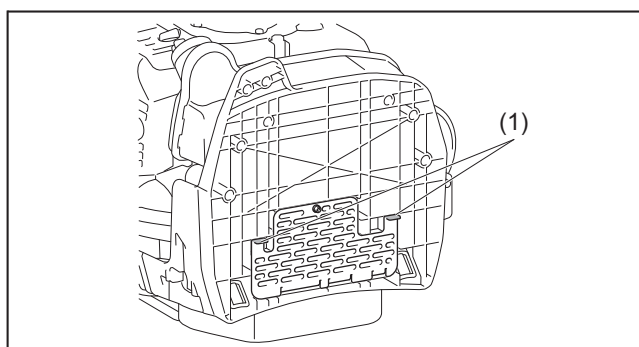
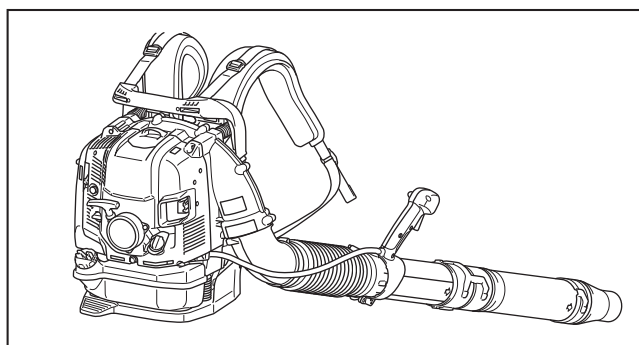
Lad være med at sidde eller stå på blæseren og anbring ikke tunge genstande på den. Dette kan beskadige maskinen.

Hold blæseren i en opret stilling, når den transporteres eller stilles til opbevaring.

Transport eller opbevaring i en stilling, der ikke er opret, kan bevirke, at der strømmer olie ud inde i blæsermotoren. Dette kan resultere i olielækager og hvid røg fra brændende olie, og luftfilteret kan blive tilsmudset af olie.

Lad være med at trække blæseren, når den transporteres. Dette kan bevirke, at blæserhuset eller luftindtaget lider skade, og at der kan dannes rust.

* På luftindtagsnettets er der jordkontakter (1), som aflader elektrostatisk dannelse til jorden.



INSPEKTION OG VEDLIGEHOLDELSE

⚠ FORSIGTIG:

- Inden inspektion og vedligeholdelse skal man stoppe motoren og lade den køle af. Fjern tændrør og rørhætte.
 - Ellers kan operatøren få forbrændinger eller komme alvorligt til skade på grund af utilsigtet start.
- Efter inspektion og vedligeholdelse skal man bekræfte, at alle dele er monteret. Gå derefter videre til anvendelse.

1. Udskiftning af motorolie

Forringet motorolie vil i højeste grad afkorte de glidende og roterende deles levetid. Sørg for at kontrollere perioden og kvantiteten for udskiftningen.

⚠ FORSIGTIG:

- Motorens hoveddel og motorolien vil stadig være varme, lige efter at motoren er stoppet. Når olien skiftes ud, skal man sørge for, at motorens hoveddel og motorolien er tilstrækkeligt afkølet. Ellers kan der være risiko for skoldning. Lad der gå tilstrækkelig tid, efter at motoren er stoppet, så motorolien kan returnere til olietanken, således at en nøjagtig udlæsning af oliestandsindikatoren sikres.
- Hvis olien er over grænsen, kan den blive snavset og resultatet kan blive brand med hvid røg.

Interval for udskiftning: Efter de første 20 driftstimer, og derefter for hver 50 driftstimer

Anbefalet olie: SAE10W-30 olie, API klassifikation SF klasse eller højere (4-takts motorolie til automobil)

Fremgangsmåde for olieskift

Følg nedenstående trin, når der skiftes olie:

- (1) Anbring blæseren på en plan overflade.
- (2) Anbring en beholder til brugt olie under afløbshullet (1) for at opsamle olien, når den løber ud. Beholderen skal have en kapacitet på mindst 220 ml for at kunne opsamle al olien.
- (3) Løsn oliedrænbolten (2) for at lade olien løbe ud. Vær påpasselig med, at der ikke kommer olie på brændstoftanken eller andre dele.

⚠ FORSIGTIG:

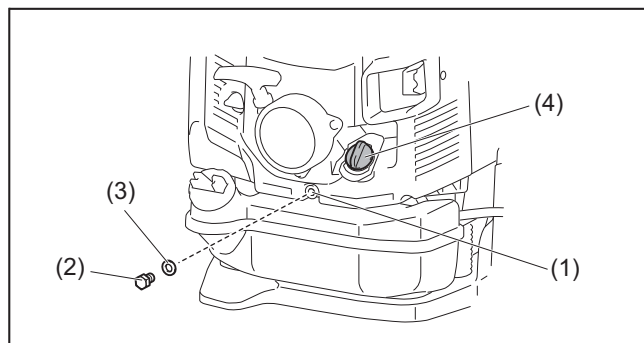
- Vær påpasselig med ikke at miste pakningen (aluminiumspakningsskive) (3). Anbring oliedrænbolten (2) på et sted, hvor den ikke vil opsamle snavs.
- (4) Fjern oliehaten (4). (Aftagning af oliehaten (4) gør det nemmere at få olien ud).

⚠ FORSIGTIG:

- Sørg for at anbringe oliehaten (4) på et sted, hvor den ikke vil opsamle snavs.
- (5) Da mængden af olien, der tømmes ud, mindskes, skal man vippe blæseren fra side til side med drænet, så olien tømmes helt ud.
 - (6) Når olien er tømt helt ud, skal oliedrænbolten (2) strammes godt til. Hvis bolten ikke er godt strammet, kan resultatet blive olielækage.

⚠ FORSIGTIG:

- Glem ikke at sætte pakningen (aluminiumspakningsskive) (3) tilbage på plads, når drænproppen monteres igen.
- (7) Påfyldning af olie under olieskiftproceduren udføres på samme måde som den separat forklarede procedure for påfyldning af olie, når niveauet er utilstrækkeligt. Påfyld altid olie fra åbningen under oliehaten.
(Specificeret oliestand: Ca. 220 ml)
 - (8) Efter påfyldning af olie strammes oliehaten godt til (4) for at forhindre olielækager.



Husk når motorolien skiftes ud

- Bortskaf aldrig udskiftet motorolie i skrald, jord eller kloaksystemer. Bortskaffelse af olie skal ske i henhold til loven. Ved bortskaffelse skal man altid følge de relevante love og regulationer. Kontakt gerne en autoriseret serviceagent, hvis der er uklare punkter.
- Olie forringes, selv i ubrugt tilstand. Udfør inspektion og udskiftning med jævne mellemrum (skift ud med ny olie hver 6 måned).

2. Rengøring af luftfilter



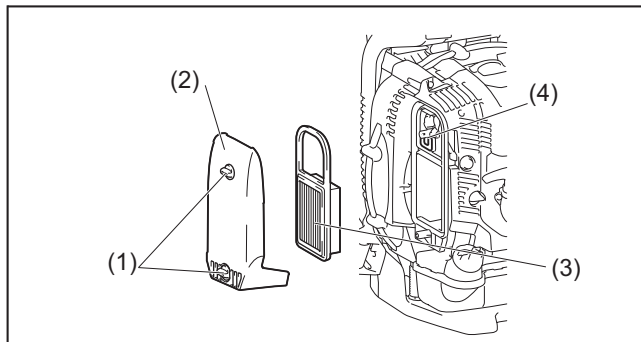
ADVARSEL: BRÆNDBARE MATERIALER STRENGT FORBUDT

Rengørings- og inspektionsinterval: Dagligt (hver 10 driftstime)

- (1) Løsn boltene (1).
- (2) Fjern luftfilterdækslet (2).
- (3) Fjern elementet (3) og fjern al snavs fra elementet med en børste.

Bemærk:

- Elementet er af den tørre type og må ikke blive vådt. Vask aldrig med vand.
- (4) Skift elementet ud med et nyt, hvis det er beskadiget eller meget snavset.
 - (5) Tør al olie, som er kommet i kontakt med ånderøret (4), af med en klud eller et stykke stof.
 - (6) Installér elementet i luftfilterhuset.
 - (7) Sæt luftfilterdækslet på og stram knapbolten.



BEMÆRKNING:

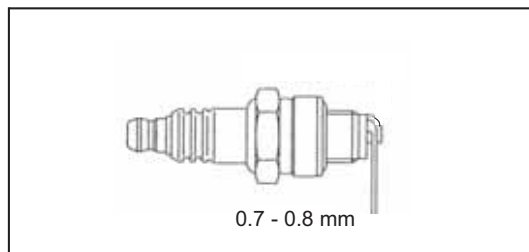
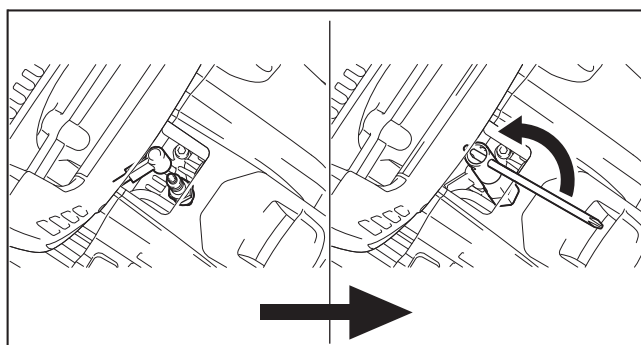
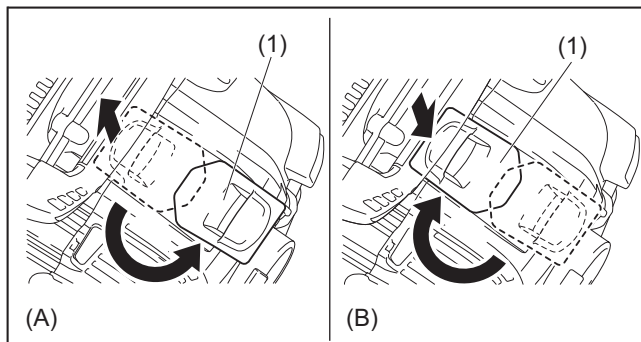
- Rengør elementet flere gange dagligt, hvis store mængder støv har sat sig på det.
- Hvis anvendelsen fortsætter og elementet ikke er rengjort for olie, kan olie i luftfilteret løbe ud med forurening som resultat.

3. Kontrol af tændrør

⚠ FORSIGTIG:

- Rør ikke ved tændrøret, mens motoren kører. Dette kan resultere i elektrisk stød.
- Sæt stopkontrolarmen/stopknappen til FRA "O"-stilling.
- Kontroller tændrørets ledning med jævne mellemrum. Skift den ud, hvis den er beskadiget eller revnet. Dette kan resultere i elektrisk stød.
- Når tændrøret fjernes, skal man først rengøre tændrøret og cylinderhovedet, således at der ikke vil trænge snavs, sand etc. ind i cylinderen.
- Fjern tændrøret, efter at motoren er kølet af, for at undgå at beskadige gevindhullet i cylinderen.
- Installér tændrøret korrekt i gevindhullet. Hvis det installeres i en vinkel, vil gevindhullet i cylinderen lide skade.

- (1) Åbning/lukning af rørdækslet.
For at åbne (A) rørdækslet (1), skal man hæve det og dreje det en halv omgang. For at lukke (B) rørdækslet, skal man dreje det en halv omgang og trykke på det omkring den indsunke del.
- (2) Fjernelse af tændrøret
Brug den medfølgende topnøgle til at fjerne eller installere tændrøret.
- (3) Kontrol af tændrøret
Afstanden mellem to elektroder i tændrøret er 0,7 mm til 0,8 mm. Indstil den korrekte afstand, hvis den er for stor eller for lille. Rengør tændrøret omhyggeligt eller skift det ud, hvis der har samlet sig kul eller anden forurening på det.
- (4) Udskiftning af tændrøret
Til udskiftning bruges NGK-CMR6A.



4. Rengøring af brændstoffilteret

- Et tilstoppet brændstoffilter kan gøre det vanskeligt at starte eller det kan umuliggøre øgning af motorhastigheden.
- Kontroller med jævne mellemrum brændstoffilteret som følger:
 - (1) Fjern brændstoftankhætte (1) og tøm tanken ved at lade brændstoffet løbe ud. Kontroller, at der ikke er nogen fremmedlegemer i tanken. Hvis der er fremmedlegemer, skal de fjernes.
 - (2) Træk brændstoffilteret (2) ud med et stykke ståltråd gennem oliepåfyldningsåbningen.
 - (3) Hvis overfladen på brændstoffilteret er forurenet, skal den rengøres med benzin. Den benzin, der anvendes til rengøringen, skal bortskaffes i henhold til den metode, der er foreskrevet af den pågældende lokale myndighed. Hvis filteret er ekstremt forurenet, skal det skiftes ud med et nyt.
 - (4) Efter kontrol, rengøring eller udskiftning, skal brændstoffilteret sættes ind i brændstofrøret og fastgøres med slangeklemmen (3). Sæt brændstoffilteret tilbage i brændstoftanken og stram brændstoftankens hætte godt til.
- Bekræft, at brændstoftanken ikke har lidt skade.

5. Inspektion af bolte, møtrikker og skruer

- Stram løse bolte, møtrikker etc.
- Kontroller, om der er lækage af brændstof og olie.
- Skift beskadigede dele ud med nye, så anvendelsen bliver sikkerhedsmæssig forsvarlig.

6. Rengøring af dele

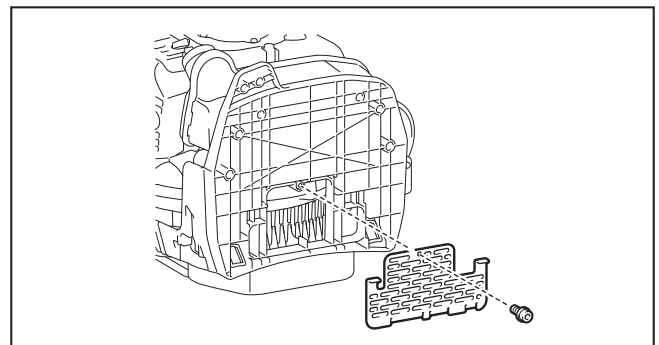
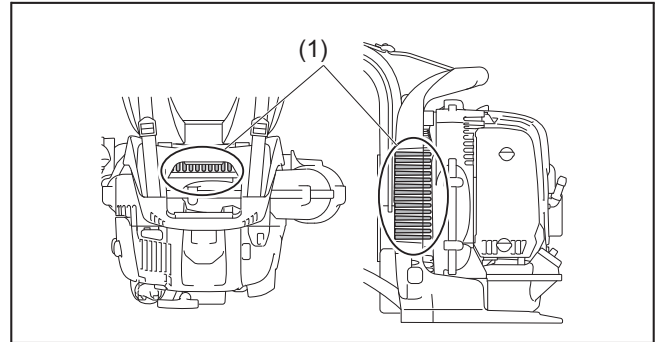
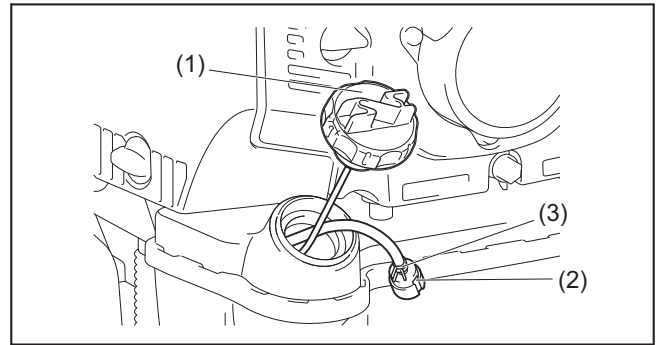
- Hold motoren ren ved at tørre den af med en gammel klud.
- Hold cylinderribberne fri for støv og snavs. Støv og snavs, som sidder på ribberne, vil medføre motorstop.
- Blæseluft kommer ind fra luftindtagsåbningen og luftindtagsnettet (1). Når luftstrømmen mindskes under anvendelsen, skal man stoppe motoren og inspicere luftindtagsåbningen og luftindtagsnettet for obstruktioner. Rengør om nødvendigt.
- Kontroller luftindtagsnettet nederst. Fjern skruen og luftindtagsnettet. Kontroller, om der er nogen tilstopninger. Rengør om nødvendigt.
- Eventuelle obstruktioner kan medføre overophedning og skade på motoren.

⚠ ADVARSEL:

- Brug aldrig en blæser uden blæsernettet. Kontroller før hver brug, at nettet sidder på plads og ikke har lidt nogen skade.

7. Udskiftning af pakninger og tætninger

Skift pakninger og tætninger ud, hvis motoren er skilt ad. Ethvert vedligeholdelses- og justeringsarbejde, som ikke er inkluderet og beskrevet i denne instruktionshåndbog, må kun udføres af en autoriseret serviceagent.



OPBEVARING

⚠ ADVARSEL:

- Når brændstoffet udtømmes, skal man stoppe motoren og vente til motoren er kølet af.
– Forsømmelse af at gøre dette, kan medføre forbrændinger eller brand.

⚠ FORSIGTIG:

- Når maskinen opbevares i et længere tidsrum, skal man udtømme alt brændstof fra brændstoftanken og karburatoren og anbringe den på et tørt, rent sted.

Tøm brændstoffet ud af brændstoftanken og karburatoren ved at gå frem som beskrevet herunder:

- (1) Fjern brændstoftankens hætte og tøm brændstoffet helt ud.
Hvis der er nogen fremmedlegemer tilbage i brændstoftanken, skal de fjernes.
- (2) Træk brændstoffilteret ud fra påfyldningsåbningen med brug af et stykke ståltråd.
- (3) Tryk på fødepumpen, indtil brændstoffet tømmes ud derfra, og udtøm brændstof, der kommer ind i brændstoftanken.
- (4) Sæt igen filteret i brændstoftanken og stram brændstoftankens hætte godt til.
- (5) Fortsæt derefter med at køre motoren, indtil den stopper.
- (6) Fjern tændrøret og lad der dryppe flere dråber motorolie gennem tændrørshullet.
- (7) Træk forsigtigt i starterhåndtaget, så motorolien spredes over motoren, og monter tændrøret.
- (8) Hold maskinen med dens håndtag opad.
- (9) Opbevar det udtømte brændstof i en speciel beholder på et velventileret sted i skyggen.

Forkert lokalitet

Fejl	System	Observation	Årsag
Motoren starter ikke eller starter kun med besvær	Tændingssystem	Tændingsgnist OK. Ingen tændingsgnist	Fejl i brændstofforsyningen eller kompressionssystemet, mekanisk defekt STOP-knap betjent, fejl i ledningsføring eller kortslutning, tændrør eller kontakt defekt, fejl i tændingsmodul.
	Brændstofpåfyldning	Brændstoftank fuld	Forkert chokerstilling, karburator defekt, brændstofslange bøjet eller blokeret, snavset brændstof.
	Kompression	Ingen kompression når der trækkes	Cylinder bundpakning defekt, knastakseltætninger beskadiget, cylinder- eller stempelringe defekte eller forkert tætning i tændrør.
	Mekanisk fejl	Starter slår ikke til	Brækket starterfjeder, brækkede dele inden i motoren
Problemer med varm start		Tank fuld, tændingsgnist eksisterer	Karburator forurenede, få den rengjort
Motoren starter, men stopper igen	Brændstofpåfyldning	Tank fuld	Forkert tomgangsjustering, karburator forurenede Brændstoftanks ventilationsåbning defekt, brændstofforsyningsledning afbrudt, fejl i kabel eller STOP-knap.
Utilstrækkelig ydelse	Flere systemer kan være påvirket samtidigt	Dårlig motortomgang	Luftfilter forurenede, karburator forurenede, lydpotte tilstoppet, udstødskanal i cylinder tilstoppet

Punkt	Anvendelsestid		Inden anvendelse	Efter smøring	Dagligt (10 t)	30 t	50 t	200 t	Nedlukning/hvile	Reference side
Motorolie		Inspicér/rengør	○							150
		Skift ud					○ ¹			157
Strammingsdele (bolte, møtrikker)		Inspicér	○							159
Brændstoftank		Rengør/ inspicér	○							—
		Udtøm brændstof							○ ³	159
Gasspjældstrigger/ gashåndtag		Tjek funktion		○						—
Stopkontrolarm/ stopknap		Tjek funktion		○						153
Rotation ved lav hastighed		Inspicér/justér			○					154
Luftfilter		Rengør			○					158
Tændingsstik/ stikledning		Inspicér			○					158
Køleluftkanal		Rengør/inspicér			○					159
Brændstofrør		Inspicér			○					159
		Skift ud						⊙ ²		—
Brændstoffilter		Rengør/udskift					○			159
Afstand mellem luftindtagsventil og udtømningsventil		Justér						⊙ ²		—
Olierør		Inspicér						⊙ ²		—
Motoreftersyn								⊙ ²		—
Karburator		Udtøm brændstof							○ ³	159

*1 Foretag den første udskiftning efter 20 timers. anvendelse.

*2 Angående inspektionen efter 200 driftstimer, bed en autoriseret serviceagent eller et maskinværksted om at udføre den.

*3 Når brændstoftanken er tømt, skal man fortsætte med at køre motoren og udtømme brændstof fra karburatoren.

FEJLFINDING

Prøv at løse problemet selv, inden De beder om hjælp til reparation. Kontroller maskinen i henhold til beskrivelsen i denne instruktionsbog, hvis noget unormalt findes. Man må aldrig pille ved eller afmontere nogen dele i modstrid med beskrivelsen. Angående reparationer kontaktes en autoriseret serviceagent eller en lokal forhandler.

Unormal tilstand	Mulig årsag (fejlfunktion)	Udbedring
Motoren starter ikke	Betjening af fødepumpe mislykket	Tryk 7 til 10 gange.
	Lav træk hastighed for starterreb	Træk kraftigt.
	Mangel på brændstof	Fyld brændstof på.
	Tilstoppet brændstoffilter	Rengør
	Bøjet brændstofrør	Ret brændstofrøret ud
	Foringet brændstof	Foringet brændstof gør det sværere at starte. Skift ud med nyt. (Anbefalet udskiftning: 1 måned)
	Ekstrem sugning af brændstof	Sæt gashåndtaget fra mellemhastighed til høj hastighed og træk i starterhåndtaget, indtil motoren starter. Hvis motoren stadig ikke starter, skal man fjerne tændrøret, tørre elektroden og montere igen som de oprindeligt var. Start derefter som specificeret.
	Rørhætte faldet af	Sæt godt på.
	Forurenet tændrør	Rengør
	Unormal tændrørsafstand	Justér afstand
	Anden unormal tilstand af tændrør	Skift ud
	Unormal karburator	Bestil inspektion og vedligeholdelse
	Starterknappen kan ikke flyttes	Bestil inspektion og vedligeholdelse
	Unormalt drivsystem	Bestil inspektion og vedligeholdelse
Motoren stopper hurtigt Motorhastigheden øges ikke	Utilstrækkelig opvarmning	Udfør opvarmning
	Chokerarmen er sat til "CLOSE", skønt maskinen er varmet op.	Sæt til "OPEN"
	Tilstoppet brændstoffilter	Rengør
	Forurenet eller tilstoppet luftfilter	Rengør
	Unormal karburator	Bestil inspektion og vedligeholdelse
	Unormalt drivsystem	Bestil inspektion og vedligeholdelse
	Gasspjældsledning faldet ud	Sæt godt på.
Motoren stopper ikke. ↓ Kør motoren på tomgang og sæt chokerarmen til "CLOSE".	Kontakt faldet af	Sæt godt på.
	Unormalt elektrisk system	Bestil inspektion og vedligeholdelse.

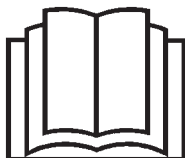
Hvis motoren ikke starter efter opvarmning:

Åbn gasspjældet med ca. 1/3 og start motoren, hvis der ikke findes noget unormalt i tjekpunkterne.

Σας ευχαριστούμε πάρα πολύ που επιλέξατε το φυσητήρα της Makita. Βρισκόμαστε στην ευχάριστη θέση να σας προσφέρουμε το φυσητήρα της Makita, ο οποίος είναι το αποτέλεσμα ενός πολύχρονου προγράμματος ανάπτυξης και πολλών ετών γνώσης και πείρας.

Τα συγκεκριμένα μοντέλα φυσητήρων συνδυάζουν τα πλεονεκτήματα της πιο εξελιγμένης τεχνολογίας με εργονομικό σχεδιασμό. Είναι ελαφριοί, βολικοί, συμπαγείς και αποτελούν επαγγελματικό εξοπλισμό για μια μεγάλη ποικιλία εφαρμογών.

Διαβάστε, κατανοήστε και ακολουθήστε αυτό το βιβλίο, στο οποίο αναφέρονται αναλυτικά τα διάφορα σημεία που θα επιδείξουν την εξαιρετή απόδοσή τους. Θα σας βοηθήσει να λάβετε με ασφάλεια το βέλτιστο δυνατό αποτέλεσμα από τον φυσητήρα της Makita.



Πίνακας περιεχομένων

Σελίδα

Σύμβολα	162
Οδηγίες ασφάλειας	163
Δήλωση συμμόρφωσης ΕΚ	166
Τεχνικά στοιχεία	167
Προσδιορισμός μερών	168
Οδηγίες συναρμολόγησης	169
Πριν την εκκίνηση του κινητήρα	170
Λειτουργία	172
Ρύθμιση ρελαντί	174
Αποτροπή απο παγωμα καρμπυρατερ	174
Μέθοδος λειτουργίας	175
Έλεγχος και συντήρηση	177
Αποθήκευση	179
Αντιμετώπιση προβλημάτων	181

ΣΥΜΒΟΛΑ

Είναι πολύ σημαντικό να κατανοήσετε τα ακόλουθα σύμβολα όταν διαβάζετε αυτό το εγχειρίδιο οδηγιών.

	ΠΡΟΕΙΔΟΠΟΙΗΣΗ/ΚΙΝΔΥΝΟΣ		Να απομακρύνετε τυχόν παρευρισκόμενους.
	Διαβάστε, κατανοήστε και ακολουθήστε το εγχειρίδιο οδηγιών		Καύσιμο (Βενζίνη)
	Απαγορεύεται		Χειροκίνητη εκκίνηση κινητήρα
	Απαγορεύεται το κάπνισμα		Έκτακτη διακοπή
	Απαγορεύονται οι γυμνές φλόγες		Πρώτες βοήθειες
	Πρέπει να φοράτε προστατευτικά γάντια		ΕΝΕΡΓΟΠΟΙΗΣΗ/ΕΝΑΡΞΗ
	Διατηρήστε την περιοχή λειτουργίας ελεύθερη από άτομα και κατοικίδια		ΑΠΕΝΕΡΓΟΠΟΙΗΣΗ/ΔΙΑΚΟΠΗ
	Φοράτε προστασία ματιών και ωτοασπίδες		Βλάβη δακτύλων ή χεριού, λεπίδα στροφείου
	Ζεστές επιφάνειες - Εγκαύματα δακτύλων ή χεριών		Τα μακριά μαλλιά μπορεί να προκαλέσουν ατύχημα μπλεξίματος.

ΟΔΗΓΙΕΣ ΑΣΦΑΛΕΙΑΣ

Γενικές οδηγίες

- Για να εξασφαλίσετε τη σωστή και ασφαλή λειτουργία, ο χρήστης πρέπει να διαβάσει, να κατανοήσει και να ακολουθήσει αυτό το εγχειρίδιο οδηγιών για να εξοικειωθεί με το χειρισμό του φυσητήρα (1). Οι χρήστες με ανεπαρκή πληροφόρηση αποτελούν κίνδυνο για τον εαυτό τους αλλά και για τους άλλους εξαιτίας λανθασμένου χειρισμού.
- Συνιστάται να δανείζετε το φυσητήρα μόνο σε άτομα που έχουν αποδείξει ότι έχουν πείρα με φυσητήρες.
- Να δίνετε πάντα και το εγχειρίδιο οδηγιών.
- Οι άπειροι χρήστες θα πρέπει να ρωτούν το αντιπρόσωπο για τις βασικές οδηγίες ώστε να εξοικειωθούν με το χειρισμό του φυσητήρα.
- Τα παιδιά και τα νεαρά άτομα, ηλικίας κάτω των 18 ετών, δεν πρέπει να χρησιμοποιούν το φυσητήρα. Ωστόσο, άτομα άνω των 16 ετών μπορούν να χρησιμοποιήσουν το εργαλείο για σκοπούς εκπαίδευσης, μόνο εάν επιβλέπονται άμεσα από κατάλληλο εκπαιδευτή.
- Να χρησιμοποιείτε τους φυσητήρες με μεγάλη προσοχή.
- Να χειρίζεστε το φυσητήρα μόνο εάν βρίσκεστε σε καλή σωματική κατάσταση.
- Να διεξαγάγετε κάθε εργασία ευσυνείδητα και με προσοχή. Ο χρήστης πρέπει να αποδεχτεί την ευθύνη των άλλων.
- Μην χρησιμοποιείτε ποτέ το φυσητήρα υπό την επήρεια αλκοόλ ή ναρκωτικών ουσιών (2).
- Μην χρησιμοποιείτε το μηχάνημα όταν είστε κουρασμένοι.
- Φυλάξτε αυτές τις οδηγίες για μελλοντική χρήση.

Προσωπικός προστατευτικός εξοπλισμός

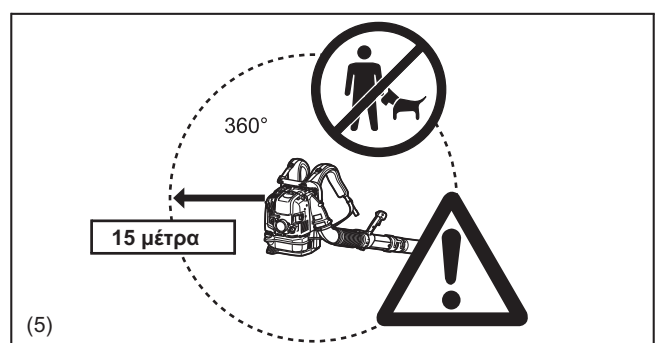
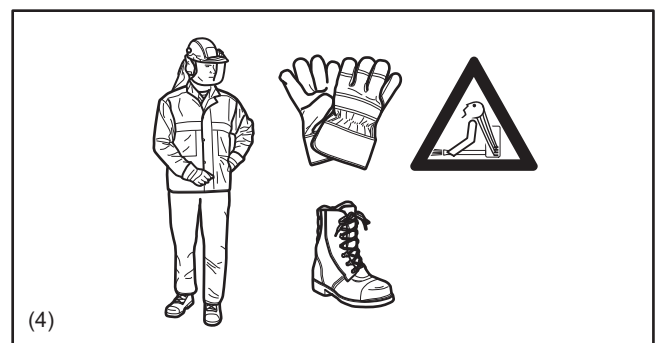
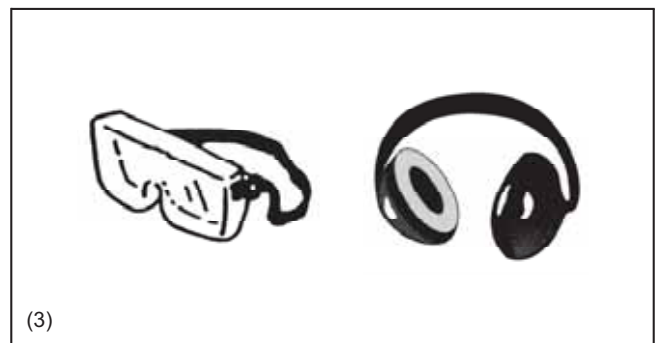
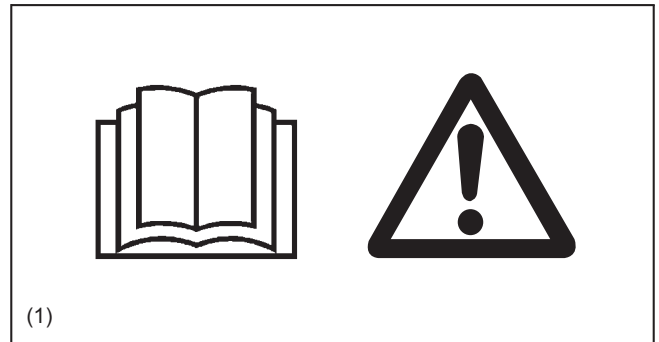
- Τα ρούχα που φοράτε πρέπει να είναι λειτουργικά και κατάλληλα, δηλ. πρέπει να είναι εφαρμοστά αλλά να μην σας εμποδίζουν. Μην φοράτε κοσμήματα, φαρδιά ρούχα και να μαζεύετε τα μακριά μαλλιά επειδή μπορούν να τραβηχτούν στην είσοδο αέρα.
- Προκειμένου να αποφεύγετε τους τραυματισμούς στο κεφάλι, στα μάτια, στα χέρια ή στα πόδια, καθώς και να προστατεύετε την ακοή σας, πρέπει να χρησιμοποιείτε τον ακόλουθο προστατευτικό εξοπλισμό και προστατευτικό ρουχισμό κατά τη διάρκεια της λειτουργίας του φυσητήρα.

Να προσέχετε ιδιαίτερα τους ακόλουθους κανονισμούς

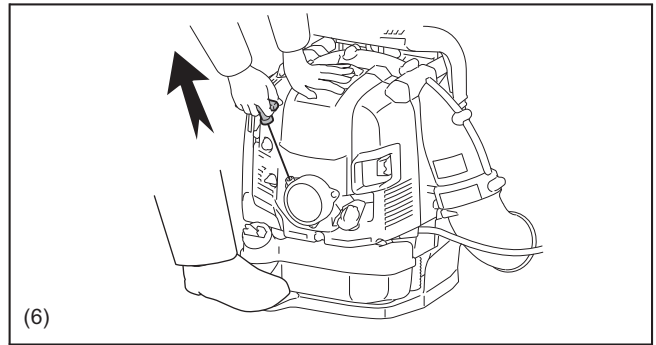
- Τα ρούχα πρέπει να είναι ανθεκτικά και στενά, αλλά και να επιτρέπουν την πλήρη ελευθερία κίνησης. Μην φοράτε φαρδιά μπουφάν, παντελόνια με φαρδιά μπατζάκια ή ρεβέρ, κασκόλ, ελεύθερα μακριά μαλλιά ή σιδηρή ποτε μπορεί να τραβηχτεί στην είσοδο αέρα. (4) Να φοράτε ολόσωμη φόρμα ή μακρύ παντελόνι για να προστατεύετε τα πόδια σας. Μην φοράτε σορτς. (4)
- Γενικά, τα προϊόντα με κινητήρα είναι θορυβώδη και ο θόρυβος μπορεί να προκαλέσει ζημιά στην ακοή σας. Φοράτε ηχητικά φράγματα (ωτοασπίδες ή καλύμματα αυτιών) για να προστατεύετε την ακοή σας. Οι χρήστες που χρησιμοποιούν το μηχάνημα συνεχόμενα ή τακτικά θα πρέπει να ελέγχουν τακτικά την ακοή τους. (3)
- Συνιστάται η χρήση γαντιών κατά την εργασία με το φυσητήρα. Να φοράτε ανθεκτικά παπούτσια με αντιολισθητικές σόλες. (4)
- Η σωστή προστασία ματιών είναι υποχρεωτική. Παρότι η εκκένωση κατευθύνεται μακριά από το χειριστή, μπορεί να συμβούν προσκρούσεις και αναπηδήσεις κατά τη διάρκεια της λειτουργίας του φυσητήρα. (3)
- Μην θέτετε ποτέ το φυσητήρα σε λειτουργία εάν δεν φοράτε προστατευτικά γυαλιά ή γυαλιά ασφαλείας με σωστή εφαρμογή και με επαρκή άνω και πλαϊνή προστασία, τα οποία συμμορφώνονται με το πρότυπο EN166 και τους κανονισμούς στη χώρα σας.
- Για να μειώσετε τον κίνδυνο τραυματισμού που σχετίζεται με την εισπνοή της σκόνης, χρησιμοποιήστε μάσκα προσώπου με φίλτρο σε συνθήκες με πολλή σκόνη.

Εκκίνηση του φυσητήρα

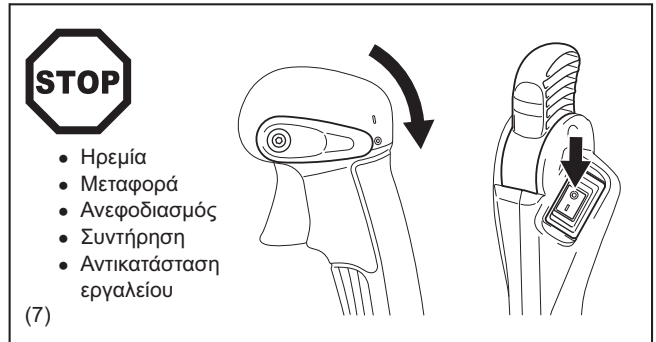
- Βεβαιωθείτε ότι δεν υπάρχουν παιδιά ή άλλα άτομα εντός εύρους εργασίας 15 μέτρων (5), αλλά και να προσέχετε μην μπουν οποιαδήποτε ζώα κοντά στο χώρο εργασίας. Μην χρησιμοποιείτε ποτέ το φυσητήρα σε αστικές περιοχές.
- Πριν τη λειτουργία, να ελέγχετε πάντα ότι ο φυσητήρας είναι ασφαλής για λειτουργία: Ελέγξτε την ασφάλεια του μοχλού στραγγαλισμού. Πρέπει να ελέγχετε το μοχλό στραγγαλισμού για ομαλή και εύκολη κίνηση. Ελέγξτε τη σωστή λειτουργία της ασφάλειας του μοχλού στραγγαλισμού. Ελέγξτε ότι οι λαβές είναι καθαρές και στεγνές και ελέγξτε τη λειτουργία του διακόπτη λειτουργίας (I-O). Διατηρήστε τις λαβές καθαρές από λάδι και καύσιμο.



- Εκκινήστε το φυσητήρα μόνο σύμφωνα με τις οδηγίες. Μη χρησιμοποιείτε οποιαδήποτε άλλη μέθοδο για την εκκίνηση του κινητήρα. (6)
- Χρησιμοποιήστε το φυσητήρα και τα εργαλεία που παρέχονται μόνο για τις καθορισμένες εφαρμογές.
- Βάλτε μπρος τον κινητήρα φυσητήρα μόνο αφού έχετε συναρμολογήσει ολόκληρο το εργαλείο. Η λειτουργία του εργαλείου επιτρέπεται μόνο αφού συνδεθούν όλα τα κατάλληλα αξεσουάρ.
- Ο κινητήρας πρέπει να απενεργοποιηθεί αμέσως εάν υπάρχουν προβλήματα με τον κινητήρα.
- Όταν εργάζεστε με το φυσητήρα, να τυλίγετε τα δάχτυλά σας σφιχτά γύρω από τη λαβή, διατηρώντας τη λαβή ελέγχου μεταξύ του αντίχειρα και δείκτη σας. Διατηρήστε το χέρι σας σε αυτή τη θέση για να έχετε το μηχανήμα πάντα υπό τον έλεγχό σας. Βεβαιωθείτε ότι η λαβή ελέγχου βρίσκεται σε καλή κατάσταση και χωρίς υγρασία, κόλλα, λάδι ή γράσο. Να εξασφαλίζετε πάντα ασφαλές και ισορροπημένο πάτημα.
- Κατά τη διάρκεια της λειτουργίας, μεταφέρετε το φυσητήρα σωστά και στους δύο ώμους. Μη μεταφέρετε το φυσητήρα μόνο με τον ένα ιμάντα ώμου. Διαφορετικά, μπορεί να προκύψει προσωπικός τραυματισμός.
- Να θέτετε το φυσητήρα σε λειτουργία με τρόπο ώστε να αποφεύγετε την εισπνοή των καυσαερίων. Μη θέτετε τον κινητήρα σε λειτουργία σε κλειστά δωμάτια (υπάρχει κίνδυνος ασφυξίας και δηλητηρίασμού από αέρια). Το μονοξείδιο του άνθρακα είναι άοσμο αέριο. Να βεβαιώνετε ότι υπάρχει πάντα επαρκής εξαερισμός.
- Απενεργοποιήστε τον κινητήρα όταν ξεκουράζεστε ή αφήνετε το φυσητήρα ανεπιτήρητο. Τοποθετήστε τον σε ασφαλή τοποθεσία ώστε να αποφεύγεται ο κίνδυνος για άλλους, η ανάφλεξη των καυσίμων υλικών ή η πρόκληση ζημιάς στο μηχανήμα.
- Μην αφήνετε ποτέ το ζεστό φυσητήρα σε ξηρό χορτάρι ή επάνω σε καύσιμα υλικά.
- Κατά τη διάρκεια της λειτουργίας, πρέπει να χρησιμοποιούνται όλα τα προστατευτικά εξαρτήματα και προφυλακτήρας που παρέχονται με το μηχανήμα.
- Μη θέτετε τον κινητήρα ποτέ σε λειτουργία με ελαττωματικό σιγαστήρα καυσαερίων.
- Σβήστε τον κινητήρα κατά τη μεταφορά. (7)
- Για να αποφευχθεί η διαρροή καυσίμου, τοποθετήστε το φυσητήρα με ασφάλεια κατά τη μεταφορά σε αυτοκίνητο ή φορτηγό.
- Όταν μεταφέρετε το φυσητήρα, βεβαιωθείτε ότι το ρεζερβουάρ καυσίμου είναι εντελώς άδειο.
- Μεταφέρετε το φυσητήρα από τη λαβή μεταφοράς. Μη σύρετε το φυσητήρα από το ακροφύσιο, το σωλήνα ή άλλα μέρη.
- Όταν μεταφέρετε το φυσητήρα, λυγίστε τα γόνατά σας και βεβαιωθείτε ότι δεν θα προκαλέσετε ζημιά στους ώμους και χαμηλά στην πλάτη σας.



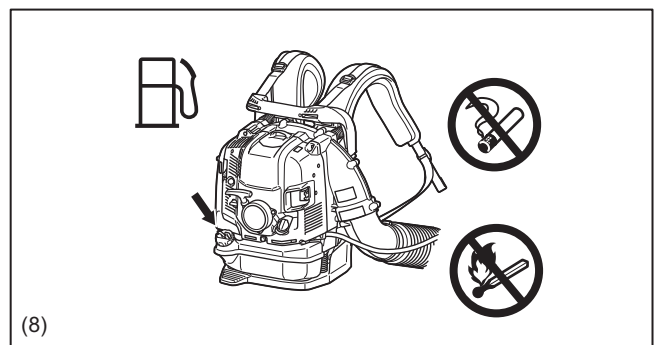
(6)



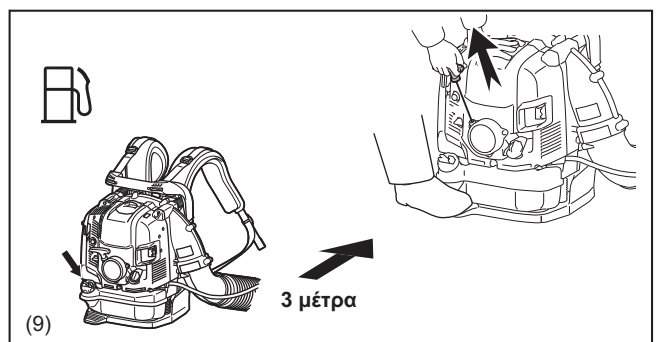
(7)

Ανεφοδιασμός

- Σβήστε τον κινητήρα κατά τον ανεφοδιασμό (7), μείνετε μακριά από γυμνές φλόγες (8) και μην καπνίζετε.
- Αποφύγετε την επαφή πετρελαϊκών προϊόντων με το δέρμα. Μην εισπνέετε τον ατμό καυσίμου. Να φοράτε πάντα προστατευτικά γάντια κατά τον ανεφοδιασμό. Να αλλάζετε και να καθαρίζετε τον προστατευτικό ρουχισμό σε τακτικά διαστήματα.
- Προσέχετε να μην χύσετε το καύσιμο ή το λάδι ώστε να αποφύγετε τη μόλυνση του εδάφους (περιβαλλοντική προστασία). Να καθαρίζετε το φυσητήρα αμέσως μετά την έκχυση καυσίμου. Να αφήνετε τα βρεγμένα πανιά να στεγνώσουν πριν τα απορρίψετε σε κατάλληλο, καλυμμένο δοχείο, προκειμένου να αποφευχθεί η αυθόρμητη καύση.
- Να αποφεύγετε την επαφή του καυσίμου με τα ρούχα σας. Να αλλάζετε αμέσως τα ρούχα σας εάν έχει χυθεί καύσιμο σε αυτά (κίνδυνος πυρκαγιάς).
- Να ελέγχετε την τάπα καυσίμου σε τακτά χρονικά διαστήματα και να βεβαιώνετε ότι παραμένει σφιχτά κλεισμένη.
- Να σφίγγετε προσεκτικά τη βίδα κλειδώματος του ρεζερβουάρ καυσίμου. Αλλάξτε τοποθεσία για να βάλετε μπρος τον κινητήρα (τουλάχιστον 3 μέτρα μακριά από τη θέση ανεφοδιασμού). (9)
- Μην ανεφοδιάζετε ποτέ σε κλειστά δωμάτια. Οι ατμοί καυσίμου συσσωρεύονται στο επίπεδο του εδάφους (κίνδυνος εκρήξεων).
- Να μεταφέρετε και να αποθηκεύσετε καύσιμο μόνο σε εγκεκριμένα δοχεία. Βεβαιωθείτε ότι το αποθηκευμένο καύσιμο δεν είναι προσβάσιμο σε παιδιά.
- Μην επιχειρήσετε τον ανεφοδιασμό με ζεστό κινητήρα ή κινητήρα που βρίσκεται σε λειτουργία.



(8)



(9)

Μέθοδος λειτουργίας

- Να χρησιμοποιείτε το φυσητήρα μόνο με καλό φωτισμό και ορατότητα. Να προσέχετε τις ολισθηρές ή βρεγμένες περιοχές, τον πάγο και το χιόνι (κίνδυνος ολίσθησης), αλλά και τους στενούς χώρους. Να εξασφαλίζετε πάντα ασφαλές πάτημα.
- Μην εργάζεστε ποτέ σε ασταθές έδαφος ή σε απότομη κλίση.
- Μην εργάζεστε από σκάλες ή υψηλά μέρη. Διαφορετικά, μπορεί να προκύψει προσωπικός τραυματισμός.
- Για να μειώσετε τον κίνδυνο προσωπικού τραυματισμού, μην κατευθύνετε τον αέρα εμφύσησης προς τους παρευρισκόμενους, επειδή η υψηλή πίεση της ροής αέρα μπορεί να προκαλέσει τραυματισμό στα μάτια και να παρσούρει μικρά αντικείμενα με μεγάλη ταχύτητα.
- Μην εισαγάγετε ποτέ ξένα αντικείμενα στην είσοδο αέρα του μηχανήματος ή μέσα στο ακροφύσιο του φυσητήρα. Θα προκληθεί ζημιά στον τροχό ανεμιστήρα και μπορεί να προκληθεί σοβαρός τραυματισμός στο χειριστή ή στους παρευρισκόμενους ως αποτέλεσμα της ρίψης του αντικείμενου ή σπασμένων κομματιών με μεγάλη ταχύτητα.
- Προσέχετε την κατεύθυνση του ανέμου, δηλ. μην εργάζεστε αντίθετα από τον άνεμο.
- Για να μειώσετε τον κίνδυνο σκοντάμματος και απώλειας ελέγχου, μην περπατάτε προς τα πίσω (όπισθεν) ενώ χειρίζεστε το μηχάνημα.
- Να σβήνετε πάντα τον κινητήρα πριν καθαρίζετε ή συντηρείτε τη μονάδα ή αντικαθιστάτε εξαρτήματα.
- Κάντε ένα διάλειμμα για να ξεκουραστείτε για να αποφύγετε την απώλεια ελέγχου που προκαλείται από την κόπωση. Συνιστούμε να κάνετε ένα διάλειμμα για ξεκούραση διάρκειας 10 έως 20 λεπτών κάθε ώρα.
- Μην χειρίζεστε το μηχάνημα κοντά στα παράθυρα, κτλ.
- Για να μειώσετε τη ζημιά από τη δόνηση ή/και τη ζημιά στα αυτιά, να θέτετε το μηχάνημα σε λειτουργία σε χαμηλή ταχύτητα, εάν είναι δυνατό, και να περιορίζετε το χρόνο λειτουργίας.
- Να χρησιμοποιείτε το μηχάνημα μόνο σε λογικές ώρες. Μην θέτετε το φυσητήρα σε λειτουργία νωρίς το πρωί ή αργά τη νύχτα όταν οι άνθρωποι μπορεί να ενοχλούνται.
- Συνιστάται η χρήση τσουγκράνας και σκούπας για να χαλαρώσετε τις ακαθαρσίες πριν χρησιμοποιήσετε το φυσητήρα.
- Πριν το φύσημα, υγράνετε λίγο τις επιφάνειες όταν οι συνθήκες είναι σκονισμένες ή χρησιμοποιήστε ψεκαστήρα εκνεφώματος νερού εάν απαιτείται.
- Ρυθμίστε το μήκος του ακροφυσίου φυσητήρα ώστε η ροή να μπορεί να λειτουργεί κοντά στο έδαφος.
- Για να μειώσετε τα επίπεδα ήχου, περιορίστε τον αριθμό των τεμαχίων εξοπλισμού που χρησιμοποιούνται ταυτόχρονα.

Μετά τη χρήση του φυσητήρα και άλλου εξοπλισμού, **ΝΑ ΚΑΘΑΡΙΖΕΤΕ!** Απορρίψτε τα σκουπίδια σε κάδους σκουπιδιών.

Οδηγίες συντήρησης

- Να προσέχετε το περιβάλλον. Να θέτετε το φυσητήρα σε λειτουργία με όσο το δυνατό λιγότερο θόρυβο και μόλυνση. Συγκεκριμένα, ελέγξτε τη σωστή ρύθμιση του καρμπυρατέρ.
- Καθαρίστε το φυσητήρα σε τακτά χρονικά διαστήματα και ελέγξτε ότι όλες οι βίδες και παξιμάδια είναι καλά σφηνωμένα.
- Μην συντηρείτε και μην αποθηκεύετε το φυσητήρα κοντά σε γυμνές φλόγες, σπινθήρες, κτλ. (11).
- Να αποθηκεύετε πάντα το φυσητήρα σε ένα καλά αεριζόμενο κλειδωμένο δωμάτιο, με άδειο το ρεζερβουάρ καυσίμου.

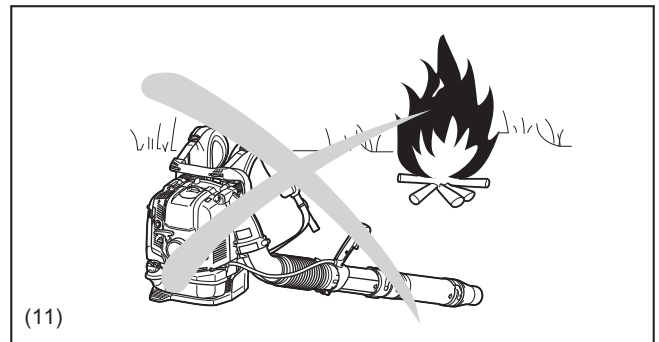
Τηρήστε και ακολουθήστε όλες τις σχετικές οδηγίες πρόληψης ατυχημάτων που εκδόθηκαν από τους εμπορικούς οργανισμούς και τις εταιρείες ασφαλίσεων. Μην εκτελείτε καμία τροποποίηση στο φυσητήρα επειδή έτσι θα διακινδυνεύετε η ασφάλειά σας.

Η εκτέλεση εργασιών συντήρησης ή επισκευής από το χρήστη περιορίζεται στις εργασίες εκείνες που περιγράφονται στο παρόν εγχειρίδιο οδηγιών. Όλες οι άλλες εργασίες πρέπει να πραγματοποιούνται από εξουσιοδοτημένους αντιπροσώπους σέρβις.

Να χρησιμοποιείτε μόνο γνήσια ανταλλακτικά και αξεσουάρ που παρέχει η Makita.

Η χρήση μη εγκεκριμένων αξεσουάρ και εργαλείων σημαίνει αυξημένο κίνδυνο ατυχημάτων και τραυματισμών. Η Makita δεν θα αποδεχτεί την ευθύνη για ατυχήματα ή ζημιές που προκλήθηκαν από τη χρήση οποιωνδήποτε μη εγκεκριμένων προσαρτημάτων ή αξεσουάρ.

Μην πραγματοποιήσετε ποτέ τροποποίηση στον εξοπλισμό. Μπορεί να προκληθούν επικίνδυνα ατυχήματα ή προσωπικός τραυματισμός.

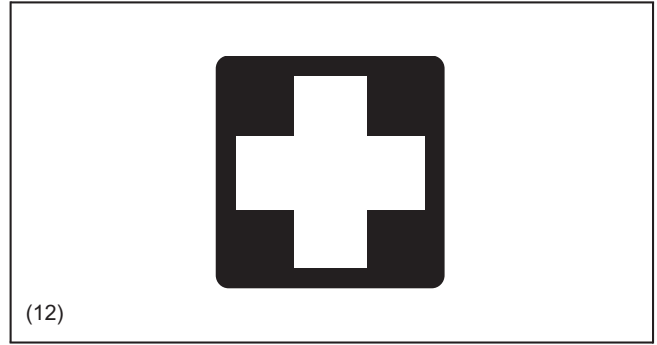


Πρώτες βοήθειες

Για περίπτωση ατυχήματος, βεβαιωθείτε ότι διατίθεται ολοκληρωμένο κιτ πρώτων βοηθειών κοντά στο χώρο των εργασιών. Αντικαταστήστε αμέσως οποιαδήποτε αντικείμενα που αφαιρέσατε από το κιτ πρώτων βοηθειών.

Όταν ζητάτε βοήθεια, δώστε τις ακόλουθες πληροφορίες:

- Τόπος ατυχήματος
- Τι συνέβη
- Αριθμός τραυματισμένων ατόμων
- Έκταση των τραυματισμών
- Το όνομά σας



Για ευρωπαϊκές χώρες μόνο

Δήλωση συμμόρφωσης ΕΚ

Εμείς, η Makita Corporation, ως υπεύθυνος κατασκευαστής δηλώνουμε ότι το(α) ακόλουθο(α) μηχάνημα(τα) της Makita:

Ονομασία του μηχανήματος: Φυσητήρας βενζίνης

Αρ. μοντέλου / Τύπος: EB7650TH, EB7650WH

Προδιαγραφές: δείτε τον πίνακα «ΤΕΧΝΙΚΑ ΣΤΟΙΧΕΙΑ»

παράγεται εν σειρά παραγωγή και

συμμορφώνεται με τις ακόλουθες Ευρωπαϊκές Οδηγίες:

2000/14/ΕΚ, 2006/42/ΕΚ

και κατασκευάζεται σύμφωνα με τα ακόλουθα πρότυπα ή έγγραφα τυποποίησης:

EN15503

Η τεχνική τεκμηρίωση φυλάσσεται από τον εξουσιοδοτημένο εκπρόσωπό μας στην Ευρώπη, δηλαδή τη:

Makita International Europe Ltd.,

Michigan Drive, Tongwell, Milton Keynes, Bucks MK15 8JD, England

Η διαδικασία αξιολόγησης της συμμόρφωσης που απαιτείται σύμφωνα με την Οδηγία 2000/14/ΕΚ ήταν σε συμφωνία με το παράρτημα V.

Μετρούμενη στάθμη ηχητικής ισχύος: 110 dB

Εγγυημένη στάθμη ηχητικής ισχύος: 111 dB

6. 8. 2013



Tomoyasu Kato
Διευθυντής
Makita Corporation
3-11-8, Sumiyoshi-cho,
Anjo, Aichi, JAPAN

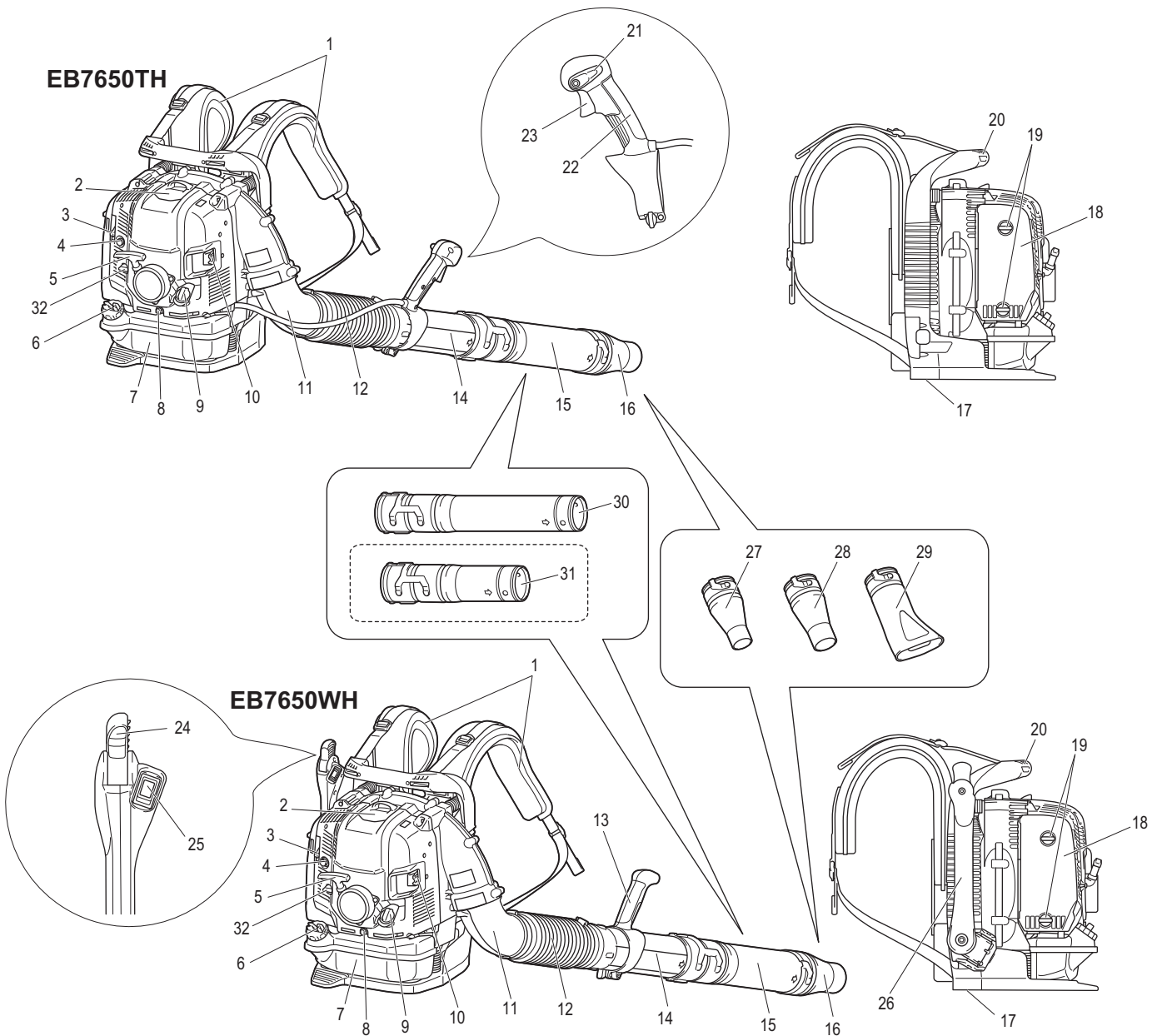
ΤΕΧΝΙΚΑ ΣΤΟΙΧΕΙΑ

Μοντέλο				EB7650TH	EB7650WH			
Τύπος στραγγαλισμού				Στραγγαλισμός με σωλήνα	Στραγγαλισμός γοφού			
Βάρος (χωρίς σωλήνα φυσητήρα) (κιλά)				10,8	11,0			
Διαστάσεις (χωρίς σωλήνα φυσητήρα M x Π x Υ) (χιλ)				332 x 460 x 480	332 x 510 x 480			
Ταχύτητα αέρα	(με μακρύ σωλήνα)	(με ακροφύσιο ταχύτητας)		89				
		(με ακροφύσιο όγκου)		81				
		(με επίπεδο ακροφύσιο)		86				
	(με κοντό σωλήνα)	(με ακροφύσιο ταχύτητας)		90				
		(με ακροφύσιο όγκου)		81				
		(με επίπεδο ακροφύσιο)		87				
Ογκομετρική παροχή αέρα	(με μακρύ σωλήνα)	(με ακροφύσιο ταχύτητας)		17				
		(με ακροφύσιο όγκου)		19				
		(με επίπεδο ακροφύσιο)		17				
	(με κοντό σωλήνα)	(με ακροφύσιο ταχύτητας)		17				
		(με ακροφύσιο όγκου)		19				
		(με επίπεδο ακροφύσιο)		17				
Μέγιστες στροφές κινητήρα (με ακροφύσιο ταχύτητας) (λεπ ⁻¹)				7.100				
Ταχύτητα ρελαντί (λεπ ⁻¹)				2.800				
Εκτόπιση κινητήρα (cm ³)				75,6				
Καύσιμο				Βενζίνη αυτοκινήτων				
Χωρητικότητα ρεζερβουάρ καυσίμου (cm ³)				1.900				
Λάδι κινητήρα				Τάξη SF βαθμού API ή υψηλότερη, λάδι SAE 10W-30 (λάδι 4 χρονων κινητήρων αυτοκινήτων)				
Όγκος λαδιού κινητήρα (cm ³)				220				
Καρμπυρατέρ (τύπος)				Διάφραγμα				
Σπινθηριστής				NGK CMR6A				
Διάκενο ηλεκτροδίου (χιλ)				0,7 – 0,8				
Δονήσεις σύμφωνα με το EN15503 2009	Δεξιό χερούλι	a _{hv eq}	(με μακρύ σωλήνα)	(με ακροφύσιο ταχύτητας)	2,5	2,7		
				(με ακροφύσιο όγκου)			2,3	
				(με επίπεδο ακροφύσιο)				
		(με κοντό σωλήνα)	(με ακροφύσιο ταχύτητας)	3,1			2,7	
			(με ακροφύσιο όγκου)					2,8
			(με επίπεδο ακροφύσιο)					
	Αβεβαιότητα K				2,2	3,0		
	Αριστερό χερούλι (βραχίονας ελέγχου)	a _{hv eq}	(με μακρύ σωλήνα)	(με ακροφύσιο ταχύτητας)	0,7	0,7		
							(με ακροφύσιο όγκου)	
							(με επίπεδο ακροφύσιο)	0,9
		(με κοντό σωλήνα)	(με ακροφύσιο ταχύτητας)	0,8				
							(με ακροφύσιο όγκου)	0,7
							(με επίπεδο ακροφύσιο)	
	Αβεβαιότητα K				0,5			
Μέσο επίπεδο ηχητικής πίεσης σύμφωνα με το EN15503: 2009				L _{PA eq} dB(A)	100			
				Αβεβαιότητα K dB(A)	1,5			
Μέσο επίπεδο ηχητικής ισχύος σύμφωνα με το EN15503: 2009				L _{WA eq} dB(A)	110			
				Αβεβαιότητα K dB(A)	1,0			

Σημειώσεις:

- Λόγω του συνεχόμενου προγράμματος που εφαρμόζουμε για έρευνα και ανάπτυξη, τα τεχνικά χαρακτηριστικά στο παρόν έντυπο υπόκεινται σε αλλαγή χωρίς προειδοποίηση.
- Τα τεχνικά χαρακτηριστικά μπορεί να διαφέρουν ανάλογα με τη χώρα.

ΠΡΟΣΔΙΟΡΙΣΜΟΣ ΜΕΡΩΝ



1. Ιμάντας ώμου	9. Καπάκι λαδιού	17. Δίκτυ εισόδου αέρα (στο κάτω μέρος)	25. Διακόπτης στοπ
2. Κάλυμμα σπινθηριστή	10. Σιγαστήρας	18. Κάλυμμα φίλτρου αέρα	26. Βραχίονας ελέγχου
3. Μοχλός τσοκ	11. Γωνία	19. Μπουλόνι (του καλύμματος φίλτρου αέρα)	27. Ακροφύσιο ταχύτητας
4. Αντλία προέγχυσης	12. Εύκαμπτος σωλήνας	20. Λαβή μεταφοράς	28. Ακροφύσιο όγκου
5. Λαβή εκκινήτη	13. Διάταξη λαβής	21. Μοχλός ελέγχου διακοπής	29. Επίπεδο ακροφύσιο
6. Καπάκι ρεζερβουάρ καυσίμου	14. Στρεφόμενος βραχίονας	22. Λαβή ελέγχου	30. Μακρύς σωλήνας
7. Ρεζερβουάρ καυσίμου	15. Σωλήνας (μακρύς/κοντός)	23. Σκανδάλη στραγγαλισμού	31. Κοντός σωλήνας (προαιρετικό αξεσουάρ)
8. Μπουλόνι αποστράγγισης λαδιού	16. Ακροφύσιο	24. Μοχλός στραγγαλισμού	32. Μοχλός αντιπαγοποίησης

- Τα στάνταρ αξεσουάρ μπορεί να διαφέρουν ανάλογα με τη χώρα.

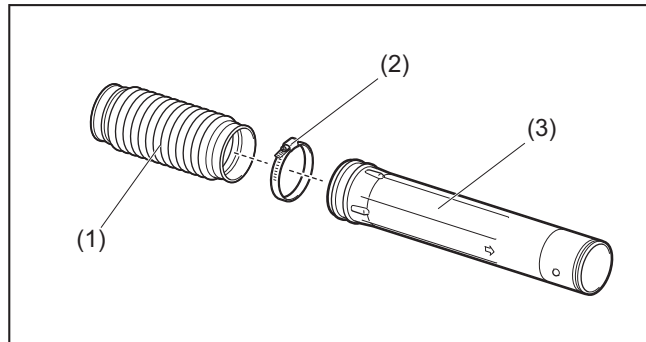
ΟΔΗΓΙΕΣ ΣΥΝΑΡΜΟΛΟΓΗΣΗΣ

ΔΙΑΤΑΞΗ ΤΩΝ ΣΩΛΗΝΩΝ ΦΥΣΗΤΗΡΑ

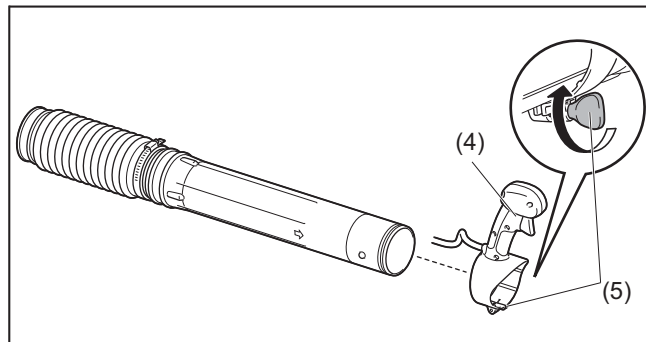
⚠ ΠΡΟΣΟΧΗ:

- Πριν εκτελέσετε οποιαδήποτε εργασία στον φυσητήρα, να σβήνετε πάντα τον κινητήρα και να αποσυνδέετε τις συνδέσεις σπινθηριστή από το σπινθηριστή.
Να φοράτε πάντα προστατευτικά γάντια!
- Εκκινήστε τον φυσητήρα μόνο αφού τον έχετε συναρμολογήσει πλήρως.
- Να φοράτε πάντα προστατευτικά γάντια!

1. Εισαγάγετε τον περιστρεφόμενο βραχίονα (3) στον εύκαμπτο σωλήνα (1) και σφίξτε με τον σφιγκτήρα εύκαμπτου σωλήνα (2).

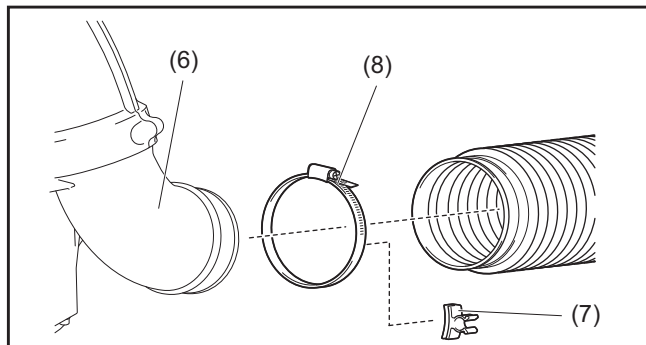


2. Εισαγάγετε τη λαβή ελέγχου / διάταξη λαβής (4) στον περιστρεφόμενο βραχίονα και σφίξτε με τη βίδα σύσφιξης (5).



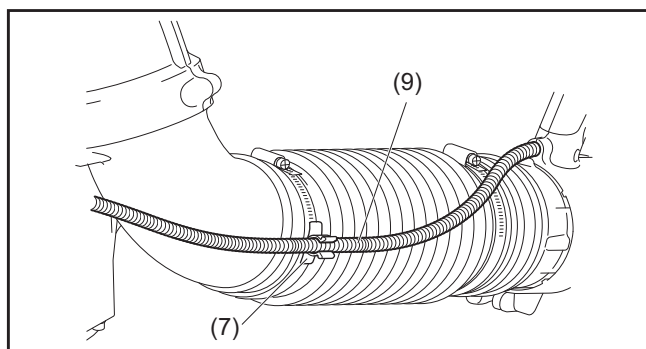
3. Για το μοντέλο με στραγγαλισμό με σωλήνα

Εισαγάγετε τον εύκαμπτο σωλήνα στη γωνία (6) του φυσητήρα. Συνδέστε τον υποδοχέα καλωδίου (7) μεταξύ του σφιγκτήρα εύκαμπτου σωλήνα (8) και της γωνίας. Σφίξτε τον υποδοχέα καλωδίου, τον εύκαμπτο σωλήνα και τη γωνία με τον σφιγκτήρα εύκαμπτου σωλήνα. Ακουμπήστε το καλώδιο ελέγχου (9) στον υποδοχέα καλωδίου (7).



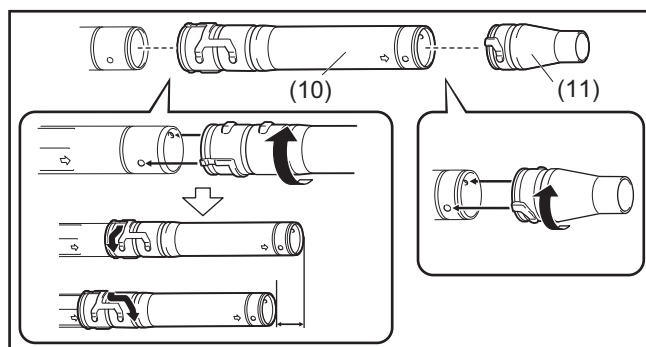
Για το μοντέλο με στραγγαλισμό γοφού

Εισαγάγετε τον εύκαμπτο σωλήνα στη γωνία (6) του φυσητήρα. Σφίξτε τον εύκαμπτο σωλήνα και τη γωνία με τον σφιγκτήρα εύκαμπτου σωλήνα (8).



4. Συνδέστε τον μακρύ/κοντό σωλήνα (10) με το στρεφόμενο βραχίονα. Περιστρέψτε τον μακρύ/κοντό σωλήνα δεξιόστροφα για να τον ασφαλίσετε στη θέση του.

Στη συνέχεια, συνδέστε το ακροφύσιο φυσητήρα (11) με τον μακρύ/κοντό σωλήνα. Περιστρέψτε το ακροφύσιο φυσητήρα δεξιόστροφα για να το ασφαλίσετε στη θέση του.

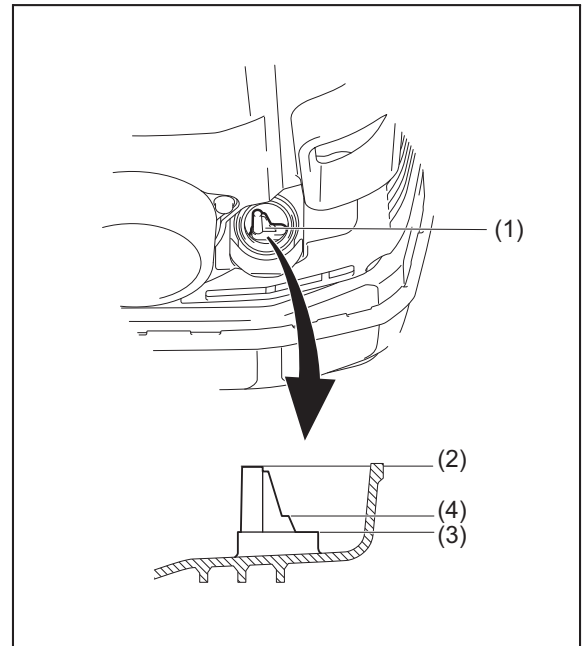


5. Βεβαιωθείτε ότι όλοι οι σφιγκτήρες είναι σφιγμένοι.

ΠΡΙΝ ΤΗΝ ΕΚΚΙΝΗΣΗ ΤΟΥ ΚΙΝΗΤΗΡΑ

1. Έλεγχος και ανεφοδιασμός λαδιού κινητήρα

- 1) Διεξαγάγετε την ακόλουθη διαδικασία, ενώ ο κινητήρας είναι κρύος. Διαφορετικά, μπορεί να προκύψει δερματικό έγκαυμα.
 - **Επιθεώρηση:** Τοποθετήστε το φυσητήρα σε μια επίπεδη επιφάνεια και βγάλτε την τάπα λαδιού. Ελέγξτε το μετρητή λαδιού (1). Βεβαιωθείτε ότι η στάθμη λαδιού κυμαίνεται εντός των ενδείξεων άνω (2) και κάτω (3) ορίου. Εάν το λάδι δεν βρίσκεται μέχρι τη στάθμη των 100 ml (4), συμπληρώστε καινούριο λάδι.
 - **Συμπλήρωση λαδιού:** Τοποθετήστε το φυσητήρα σε μια επίπεδη επιφάνεια και βγάλτε την τάπα λαδιού. Συμπληρώστε με λάδι μέχρι το άνω όριο του μετρητή στάθμης λαδιού.
- 2) Κατά μέσο όρο, το λάδι κινητήρα πρέπει να προστεθεί μετά από κάθε 20 ώρες λειτουργίας (κάθε 10 – 15 ανεφοδιασμοί).
- 3) Αλλάξτε το λάδι κάθε φορά που βρομίζει ή αλλάζει σημαντικά χρώμα. (Ανατρέξτε στην παράγραφο «**Αντικατάσταση λαδιού κινητήρα**» για τη διαδικασία και τη συχνότητα αλλαγής λαδιού).



Συνιστώμενο λάδι: Γνήσιο λάδι της Makita ή λάδι SAE 10W-30 τύπου API βαθμού SF ή καλύτερο (λάδι 4χρονων κινητήρων για αυτοκίνητα)
Χωρητικότητα λαδιού: Περίπου 0,22 L (220 ml)

ΣΗΜΕΙΩΣΗ:

- Εάν ο φυσητήρας δεν αποθηκεύεται σε όρθια θέση, το λάδι μπορεί να ρέει από το μετρητή στάθμης μέσα στον κινητήρα και να δώσει λανθασμένη ένδειξη όταν ελέγχετε τη στάθμη λαδιού. Αυτό μπορεί να έχει ως αποτέλεσμα την υπερπλήρωση όταν προστίθεται λάδι κινητήρα. Να αποθηκεύετε πάντα το φυσητήρα σε όρθια θέση.
- Εάν γίνει υπέρβαση της στάθμης του λαδιού κινητήρα, το λάδι μπορεί να χυθεί από τον εξαεριστήρα του φίλτρου και να βρομίσει τα περιβάλλοντα μέρη ή μπορεί να εμφανιστεί λευκός καπνός εξαιτίας της καύσης του παραπανήσιου λαδιού.

Αντικατάσταση της τάπας λαδιού

- Απομακρύνετε τη σκόνη ή τη βρομιά που βρίσκεται κοντά στη θύρα συμπλήρωσης λαδιού και αποσυνδέστε την τάπα λαδιού.
- Διατηρήστε το αποσυνδεδεμένο καπάκι λαδιού καθαρό από άμμο ή σκόνη. Διαφορετικά, τυχόν άμμος ή σκόνη που έχει προσκολληθεί στην τάπα λαδιού μπορεί να προκαλέσει ακανόνιστη κυκλοφορία λαδιού ή φθορά στα εξαρτήματα του κινητήρα, γεγονός που οδηγεί σε διάφορα προβλήματα.

Μετά τη συμπλήρωση λαδιού

- Σκουπίστε τυχόν χυμένο λάδι με ένα πανί.

2. Παροχή καυσίμου

ΠΡΟΕΙΔΟΠΟΙΗΣΗ:

- Κατά τον ανεφοδιασμό της μονάδας, βεβαιωθείτε να παρατηρήσετε τις ακόλουθες οδηγίες για να αποφύγετε την πυρκαγιά ή τον προσωπικό τραυματισμό:
 - Η παροχή καυσίμου πρέπει να γίνει σε μέρος χωρίς φωτιές. Μην φέρετε ποτέ τη φωτιά (κάπνισμα, κτλ.) κοντά στο μέρος ανεφοδιασμού καυσίμου.
 - Διακόψτε τη λειτουργία του κινητήρα και αφήστε τον κινητήρα να ψυχθεί πριν από τον ανεφοδιασμό.
 - Ανεφοδιάστε σε μια επίπεδη επιφάνεια. Μην ανεφοδιάσετε σε ασταθές ή ανεπαρκώς αεριζόμενο μέρος.
 - Ανεφοδιάστε σε καλό φωτισμό και ορατότητα.
 - Ανεφοδιάστε σε ανοικτό, καθαρό μέρος.
 - Ανοίξτε αργά την τάπα του ρεζερβουάρ. Μπορεί να χυθεί καύσιμο λόγω της εσωτερικής πίεσης.
 - Προσέχετε να μην χύσετε το καύσιμο. Τυχόν εκχυμένο καύσιμο πρέπει να σκουπιστεί για να καθαριστεί.
 - Διεξαγάγετε την παροχή καυσίμου σε ένα καλά αεριζόμενο χώρο.
- Χειριστείτε το καύσιμο με προσοχή.
 - Το καύσιμο που προσκολλά στο δέρμα ή μπαίνει στο μάτι μπορεί να προκαλέσει αλλεργίες ή ερεθισμό. Όταν εμφανιστεί κάποια σωματική ανωμαλία, συμβουλευτείτε αμέσως ιατρό.
- ΜΗΝ ρίχνετε λάδι στο ρεζερβουάρ καυσίμου.

ΠΕΡΙΟΔΟΣ ΑΠΟΘΗΚΕΥΣΗΣ ΤΟΥ ΚΑΥΣΙΜΟΥ

Το καύσιμο θα πρέπει να χρησιμοποιηθεί εντός μιας περιόδου των 4 εβδομάδων, ακόμη κι αν φυλάσσεται σε ειδικό δοχείο σε καλά αεριζόμενο και σκιερό μέρος.

Διαφορετικά, το καύσιμο μπορεί να χαλάσει εντός μίας ημέρας.

Αποθήκευση μηχανήματος και ανεφοδιασμός ρεζερβουάρ

- Διατηρήστε το μηχανήμα και το ρεζερβουάρ σε ψυχρό μέρος, μακριά από τις ακτίνες του ήλιου.
- Μην φυλάσσετε ποτέ το καύσιμο μέσα σε αυτοκίνητο.

ΚΑΥΣΙΜΟ

Ο κινητήρας είναι ένας τετράχρονος κινητήρας. Βεβαιωθείτε να χρησιμοποιείτε βενζίνη για αυτοκίνητα (κανονική βενζίνη ή βενζίνη premium).

Συμβουλές για καύσιμο

- Μην χρησιμοποιείτε ποτέ μίγμα βενζίνης που περιέχει λάδι κινητήρα. Διαφορετικά, θα προκαλέσει την υπερβολική συσσώρευση άνθρακα ή μηχανικά προβλήματα.
- Η χρήση καυσίμου μειωμένης ποιότητας θα προκαλέσει ακανόνιστη εκκίνηση.

Κατά τον ανεφοδιασμό, σβήστε τον κινητήρα και περιμένετε να κρυώσει ο κινητήρας.

ΜΕΘΟΔΟΣ ΑΝΕΦΟΔΙΑΣΜΟΥ

- Χαλαρώστε λίγο την τάπα του ρεζερβουάρ για να εκτονώσετε την πίεση του ρεζερβουάρ.
- Αποσυνδέστε την τάπα ρεζερβουάρ και ανεφοδιάστε, ενώ απομακρύνετε τον αέρα δίνοντας κλίση στο ρεζερβουάρ καυσίμου ώστε η θύρα ανεφοδιασμού να είναι προσανατολισμένη προς τα πάνω. ΜΗΝ γεμίσετε με καύσιμο μέχρι το άνω μέρος του ρεζερβουάρ.
- Μετά τον ανεφοδιασμό, σφίξτε καλά την τάπα του ρεζερβουάρ.
- Αν υπάρχει οποιοδήποτε ελάττωμα ή ζημιά στην τάπα του ρεζερβουάρ, αντικαταστήστε την.
- Η τάπα του ρεζερβουάρ φθίρεται με το χρόνο. Αντικαταστήστε την κάθε δύο με τρία χρόνια.
- ΜΗΝ ρίχνετε καύσιμο στη θύρα πλήρωσης λαδιού.

1. Εκκίνηση

ΠΡΟΕΙΔΟΠΟΙΗΣΗ:

Μην προσπαθήσετε ποτέ να βάλετε μπρος τον κινητήρα σε μέρος όπου έχει γίνει ανεφοδιασμός με καύσιμο.

Μπορεί να προκληθεί ανάφλεξη ή πυρκαγιά. Όταν βάζετε μπρος τον κινητήρα, κρατήστε απόσταση τουλάχιστον 3 μέτρα.

Τα καυσαέρια από τον κινητήρα είναι τοξικά. Μη θέτετε τον κινητήρα σε λειτουργία σε χώρο με ανεπαρκή εξαερισμό, όπως σήραγγα, κτίριο, κτλ.

Η λειτουργία του κινητήρα σε χώρο με ανεπαρκή εξαερισμό μπορεί να προκαλέσει δηλητηρίαση από τα καυσαέρια.

Σε περίπτωση ανίχνευσης οποιασδήποτε ανωμαλίας στον ήχο, την οσμή ή τη δόνηση μετά την εκκίνηση, διακόψτε αμέσως τη λειτουργία του κινητήρα και διεξαγάγετε έλεγχο.

Εάν ο κινητήρας τεθεί σε λειτουργία χωρίς να δώσετε προσοχή σε κάποια από τις πιο πάνω ανωμαλίες, μπορεί να προκληθεί ατύχημα. Μην αγγίζετε το κάλυμμα του ζεστού κινητήρα. Διαφορετικά, μπορεί να προκύψει δερματικό έγκαυμα.

Βεβαιωθείτε ότι δεν υπάρχει διαρροή καυσίμου πριν βάλετε μπρος τον κινητήρα.

Να βεβαιώνετε ότι ο κινητήρας σταματάει όταν θέτετε το διακόπτη απενεργοποίησης στη θέση «Ο».

1) Όταν ο κινητήρας είναι κρύος ή μετά τον ανεφοδιασμό (κρύα εκκίνηση)

- (1) Τοποθετήστε το φυσητήρα σε μια επίπεδη επιφάνεια.
- (2) Για το μοντέλο με στραγγαλισμό με σωλήνα
Θέστε το μοχλό ελέγχου διακοπής (1) στη θέση «I».
- (2) Για το μοντέλο με στραγγαλισμό γοφού
Θέστε το διακόπτη στοπ (1) στη θέση «I».
Βεβαιωθείτε ότι ο μοχλός στραγγαλισμού (2) είναι ρυθμισμένος στη θέση χαμηλής ταχύτητας.
- (3) Συνεχίστε να ωθείτε την αντλία προέγχυσης (3) μέχρι να βγει καύσιμο στην την αντλία προέγχυσης.
Γενικά, το καύσιμο μπαίνει στο καρμπυρατέρ σε 7 έως 10 ωθήσεις.
Ακόμη και η αντλία προέγχυσης ωθείται υπερβολικά, παραπανήσια βενζίνη επιστρέφει στο ρεζερβουάρ καυσίμου.
- (4) Σηκώστε το μοχλό τσοκ (4) στην κλειστή θέση.
- (5) Πατήστε το πεντάλ με το δεξί πόδι σας και κρατήστε το άνω τμήμα του καλύμματος μονάδας με το αριστερό χέρι για να εμποδίσετε τη μετακίνηση του κινητήρα.
- (6) Τραβήξτε αργά προς τα έξω τη λαβή εκκινητή μέχρι να νιώσετε συμπίεση.
Στη συνέχεια, τραβήξτε τη δυνατά.
Μην τραβάτε ποτέ το σκοινί μέχρι την πλήρη έκτασή του.
Επιστρέψτε τη λαβή εκκινητή απαλά μέσα στο περίβλημα.
Διαφορετικά, η απελευθερωμένη λαβή εκκινητή μπορεί να χτυπήσει το σώμα σας ή να επανατυλιχτεί λανθασμένα.
- (7)