

# LISTA DE REFACCION

PAGINA 1

## MODELO EM2651UH

Pos.	NUMERO	DESCRIPCION	Cant.	NOTA
001	125775-1	CONTROL LEVER ASSEMBLY INC. 2-15,221	1	
002	266326-2	TAPPING SCREW 4X18	3	
003	188656-0	LEVER CASE SET INC. 15	1	
004	638705-8	LEAD UNIT	1	
005	451081-1	CABLE HOLDER	1	
006	452005-0	CORRUGATE TUBE	1	
007	168570-6	CONTROL CABLE	1	
008	451083-7	LOCK OFF LEVER	1	
009	233541-3	TORSION SPRING 7	1	
010	233540-5	TORSION SPRING 11	1	
011	451084-5	THROTTLE LEVER	1	
012	451085-3	SWITCH COVER	1	
013	451082-9	SWITCH LEVER	1	
014	232251-9	LEAF SPRING	1	
015	188656-0	LEVER CASE SET INC. 3	1	
016	266326-2	TAPPING SCREW 4X18	1	
017	188659-4	GRIP SET INC. 18	1	
018	188659-4	GRIP SET INC. 17	1	
019	911256-9	PAN HEAD SCREW M5X35	1	
020	331862-8	HANDLE 19	1	
021	168524-3	KNOB 57	1	
022	318429-9	HANDLE CLAMP	1	
023	318428-1	HANDLE HOLDER	1	
024	233202-5	COMPRESSION SPRING 20	1	
025	318427-3	PIPE HOLDER	1	
026	318426-5	PIPE CLAMP	1	
027	922241-7	HEX. SOCKET HEAD BOLT M5X25	2	
028	195143-2	HANGER SET INC. 29	1	
029	911233-1	PAN HEAD SCREW M5X20	1	
030	422045-2	CUSHION	1	
031	140431-2	SHAFT PIPE COMPLETE	1	
032	891174-6	CAUTION LABEL	1	
033	819312-8	MAKITA LOGO LABEL	1	
034	911256-9	PAN HEAD SCREW M5X35	1	
035	324893-4	SHAFT	1	
036	922218-2	H.S.H.BOLT M5X14 WITH WR	2	
037	125556-3	GEAR CASE ASSEMBLY INC. 40-46,49-54	1	
040	210049-4	BALL BEARING 609ZZ	1	
041	961005-4	RETAINING RING S-9	1	
042	962103-7	RETAINING RING R-24	1	
043	922241-7	HEX. SOCKET HEAD BOLT M5X25	1	
044	265590-2	+HEX.BOLT M8X10 WITH R	1	
046	188902-1	CUTTER SHAFT SET	1	
049	210115-7	BALL BEARING 6001LLU	1	
050	962106-1	RETAINING RING R-28	1	
051	331861-0	RECEIVE WASHER	1	
052	346084-7	CLAMP WASHER	1	
053	168526-9	CUP	1	
054	264025-0	HEX. NUT M10-17	1	
055	452260-4	PROTECTOR	1	
056	451097-6	PROTECTOR COVER	1	
057	266579-3	HEX SOCKET HEAD BOLT M6X30	2	
058	346073-2	PROTECTOR CLAMP	1	
060	125746-8	CLEANER COVER ASSEMBLY	1	

# LISTA DE REFACCION

## MODELO EM2651UH

Pos.	NUMERO	DESCRIPCION	Cant.	NOTA
		INC. 61		
061	265791-2	THUMB SCREW M4	1	
062	*****	*****	***	*****
063	*****	*****	***	*****
064	266618-9	H.S.BUTTON HEAD BOLT M5X60	2	
065	126004-5	CLEANER PLATE ASSEMBLY	1	
		INC. 66-68		
066	162324-3	SEPARATOR PLATE	1	
067	213540-1	O RING 15	1	
068	424316-3	CHECK VALVE	1	
069	422062-2	PIPE	1	
070	325665-0	JOINT PIPE	1	
071	442153-3	CARBURETOR GASKET	1	
072	922228-9	H.S.H.BOLT M5X18 WITH WR	2	
073	451825-9	CLAMP	1	
074	451729-5	INSULATOR	1	
075	213547-7	O-RING 12	1	
076	422055-9	BREATHER PIPE	1	
077	345918-1	HOSE CLAMP	1	
078	318745-9	ROCKER COVER OUTER	1	
079	922222-1	HEX. SOCKET HEAD BOLT M5X16	4	
080	452795-5	ROCKER COVER INNER	1	
081	162304-9	ROCKER COVER GASKET	1	
082	424302-4	PLUG CAP	1	
083	324891-8	PLUG CAP SPRING	1	
084	168534-0	SPARK PLUG	1	
085	125554-7	ROCKER ARM ASSEMBLY	2	
086	256200-2	PIN 5	1	
087	256865-0	ROD 2.5	2	
088	325668-4	SPRING RETAINER	2	
089	451735-0	CLUTCH CASE	1	
090	922228-9	H.S.H.BOLT M5X18 WITH WR	3	
091	450569-8	SPACER	1	
092	961052-5	RETAINING RING S-12	1	
093	210111-5	BALL BEARING 6201LLU	1	
094	962151-6	RETAINING RING R-32	1	
095	168609-5	CLUTCH DRUM	1	
096	266457-7	SHOULDER HEX. BOLT M6X25	2	
097	267817-6	WASHER 8	2	
098	125518-1	CLUTCH ASSEMBLY	1	
		INC. 99,100		
099	168498-8	CLUTCH SHOE	2	
100	231858-8	TENSION SPRING 6	1	
101	267812-6	WASHER 6	2	
102	264039-9	FRANGE NUT	1	
103	318569-3	FLYWHEEL	1	
104	444021-6	TUBE	1	
105	266602-4	HEX. SOCKET HEAD BOLT M4X20	2	
106	452049-0	SPACER	2	
107	168559-4	IGNITION COIL	1	
108	268238-5	PIN 5	1	
109	125552-1	CAM GEAR ASSEMBLY	1	
110	313169-4	CAM LIFTER	2	
112	268239-3	PIN 4	1	
113	162274-2	CAM GEAR COVER GASKET	1	
114	318443-5	CAM GEAR COVER	1	
115	922222-1	HEX. SOCKET HEAD BOLT M5X16	3	
116	*****	*****	***	*****
117	922222-1	HEX. SOCKET HEAD BOLT M5X16	6	
118	424201-0	CHECK VALVE	2	
119	346331-6	MUFFLER GASKET	1	

# LISTA DE REFACCION

## MODELO EM2651UH

Pos.	NUMERO	DESCRIPCION	Cant.	NOTA
120	168554-4	EXHAUST MUFFLER	1	
121	266440-4	HEX SOCKET HEAD BOLT M5X40	2	
122	168471-8	PULLEY	1	
123	451731-8	MUFFLER PLATE	1	
124	922218-2	H.S.H.BOLT M5X14 WITH WR	1	
125	638707-4	LEAD UNIT	1	
126	638708-2	LEAD UNIT	1	
127	808633-3	4STROKE INDICATION LABEL	1	
128	922218-2	H.S.H.BOLT M5X14 WITH WR	1	
129	451734-2	CYLINDER COVER	1	
130	922218-2	H.S.H.BOLT M5X14 WITH WR	1	
131	424082-2	BUFFER RUBBER	1	
132	922211-6	HEX. SOCKET HEAD BOLT M5X12	1	
133	922226-3	HEX. SOCKET HEAD BOLT M5X18	2	
134	318249-1	PIPE HOLDER	1	
135	318250-6	PIPE HOLDER	1	
136	424083-0	BUFFER RUBBER	1	
137	424200-2	SPACER	2	
138	234108-0	COMPRESSION SPRING 9	2	
140	325669-2	EXHAUST VALVE	1	
143	325670-7	INTAKE VALVE	1	
144	257298-2	PISTON RING (TOP) 34	1	
145	257299-0	PISTON RING (SECOND) 34	1	
146	257300-1	PISTON RING 34	1	
147	318441-9	PISTON	1	
148	254040-2	WOODRUFF KEY 3	1	
149	*****	*****	***	*****
150	213148-1	OIL SEAL 10	1	
151	267400-9	FLAT WASHER 23	1	
152	213147-3	OIL SEAL 12	1	
153	257781-9	PISTON PIN	1	
154	233976-8	CLIP	2	
155	162323-5	OIL CASE GASKET	1	
156	346083-9	LEAD VALVE	1	
157	318590-2	RETAINER PLATE	1	
158	922112-8	HEX. SOCKET HEAD BOLT M4X10	1	
159	318588-9	OIL CASE	1	
160	922222-1	HEX. SOCKET HEAD BOLT M5X16	4	
161	424344-8	DAMPER	1	
162	346305-7	GASKET	1	
163	266611-3	HEX BOLT M6X8	1	
164	213548-5	O-RING 20	1	
165	325665-0	JOINT PIPE	1	
166	282020-8	HOSE CLAMP	1	
167	325666-8	OIL WEIGHT	1	
168	424301-6	OIL TUBE	1	
169	452047-4	OIL CAP	1	
170	424343-0	GASKET	1	
171	452048-2	OIL PIPE	1	
172	922218-2	H.S.H.BOLT M5X14 WITH WR	2	
173	125728-0	FUEL TANK CAP ASSEMBLY INC. 174	1	
174	451739-2	FUEL TANK CAP	1	
175	168555-2	TUBE COMPLETE	1	
176	282020-8	HOSE CLAMP	1	
177	163518-3	GASOLIN FILTER	1	
178	451736-8	FUEL TANK	1	
179	424080-6	BUFFER RUBBER	2	
180	424081-4	BUFFER RUBBER	1	
181	451737-6	TANK GUARD	1	
182	922218-2	H.S.H.BOLT M5X14 WITH WR	4	

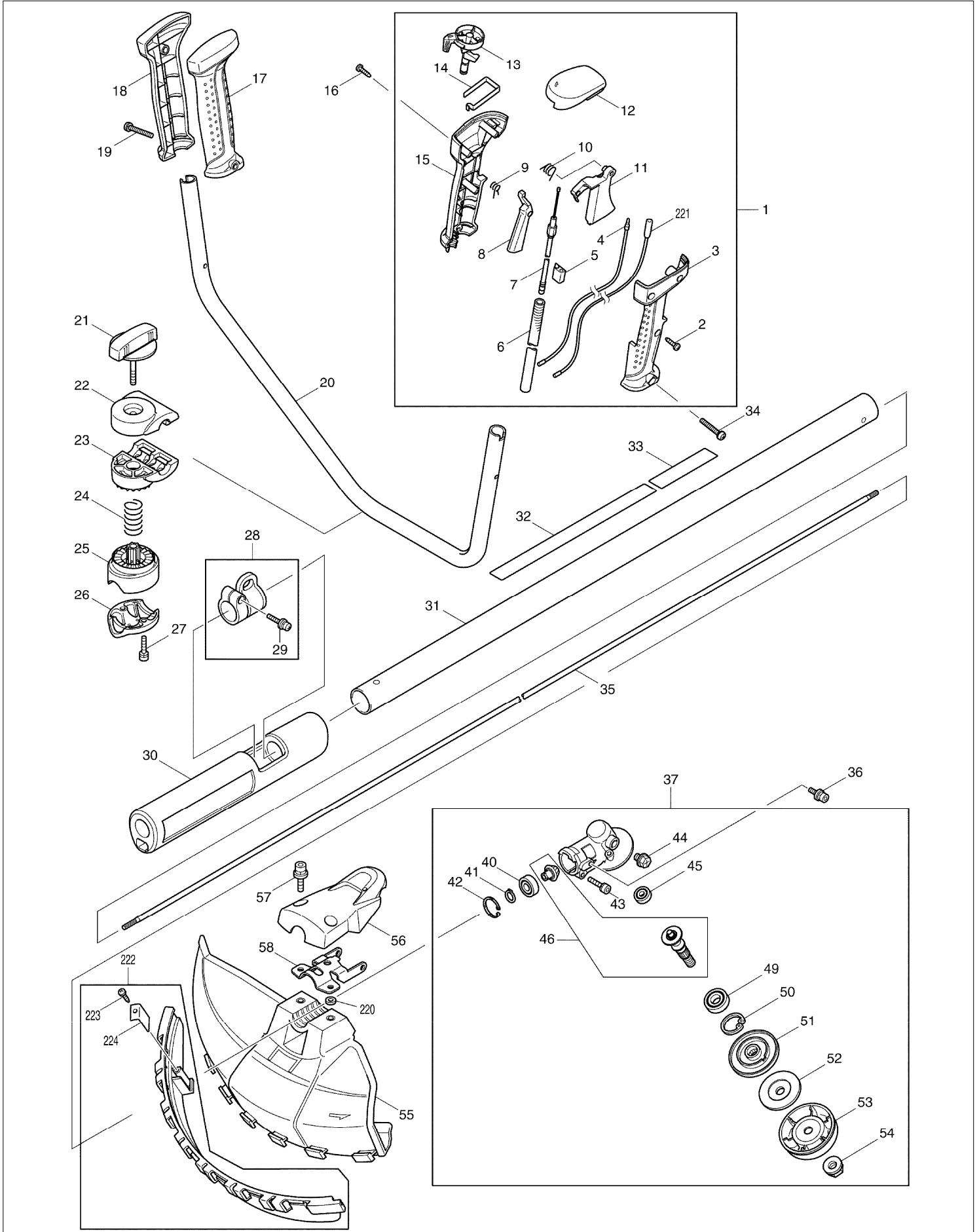
# LISTA DE REFACCION

## MODELO EM2651UH

Pos.	NUMERO	DESCRIPCION	Cant.	NOTA
183	195309-4	RECOIL STARTER SET INC. 122,184,185,187-193	1	
184	424319-7	STARTER KNOB	1	
185	424359-5	DAMPER	1	
187	266585-8	TAPPING SCREW 5X12	1	
188	233578-0	DAMPER SPRING	1	
189	452275-1	CAM PLATE	1	
190	452274-3	REEL	1	
191	232258-5	SPIRAL SPRING	1	
192	444024-0	STARTER ROPE	1	
193	451732-6	STARTER CASE	1	
194	922223-9	H.S.H.BOLT M5X16 WITH WR	4	
196	816565-0	MAKITA LOGO LABEL	1	
197	168591-8	CARBURETOR INC. 198-207,209-214	1	
198	325922-6	SWIVEL	1	
199	413140-9	WASHER	1	
200	266581-6	PAN HEAD SCREW M3X8 WITH W	2	
201	257964-1	STOP RING E-3	1	
202	213538-8	O RING 2	1	
203	325985-2	JET	1	
204	234183-6	CONICAL COMPRESSION SPRING 5-9	1	
205	442155-9	PUMP GASKET	1	
206	168575-6	PUMP DIAPHRAGM	1	
207	140437-0	PUMP BODY	1	
		INC. 208		
208	352010-6	INLET SCREEN	1	
209	442154-1	METERING DIAPHRAGM GASKET	1	
210	168620-7	METERING DIAPHRAGM	1	
211	140438-8	AIR PURGE BODY	1	
212	424314-7	PRIMER PUMP	1	
213	346270-0	PRIMER PUMP COVER	1	
214	266582-4	TAPPING SCREW 3X24	4	
220	413143-3	WASHER	2	
221	638706-6	LEAD UNIT	1	
222	135398-7	PROTECTOR EXTENSION ASSY INC. 223,224	1	
223	266326-2	TAPPING SCREW 4X18	1	
224	346074-0	CUTTER	1	
225	891177-0	EM2651UH MODEL NO.LABEL	1	
226	819430-2	CAUTION TAG	1	
227	810455-9	CAUTION PLATE	1	
228	891985-9	INDICATION LABEL	1	
229	941152-7	FLAT WASHER 6	1	
230	443170-6	FELT	1	
A01	122906-3	BAND ASSY	1	
A02	242072-1	OIL BOTTLE	1	
A03	783013-3	BOX DRIVER 16-17	1	
A04	*****	*****	***	*****
A05	783223-2	WRENCH 4	1	
A06	831304-7	ACCESSORY BAG	1	
A07	451252-0	TOOL COVER	1	
A08	122936-4	CUTTER ASSEMBLY	1	
A09	195298-3	CUTTER BLADE SET	1	
E01	266427-6	TAPPING SCREW 4X12	1	
E02	452219-1	CHOKE PLATE	1	
E03	452220-6	CHOKE LEVER	1	

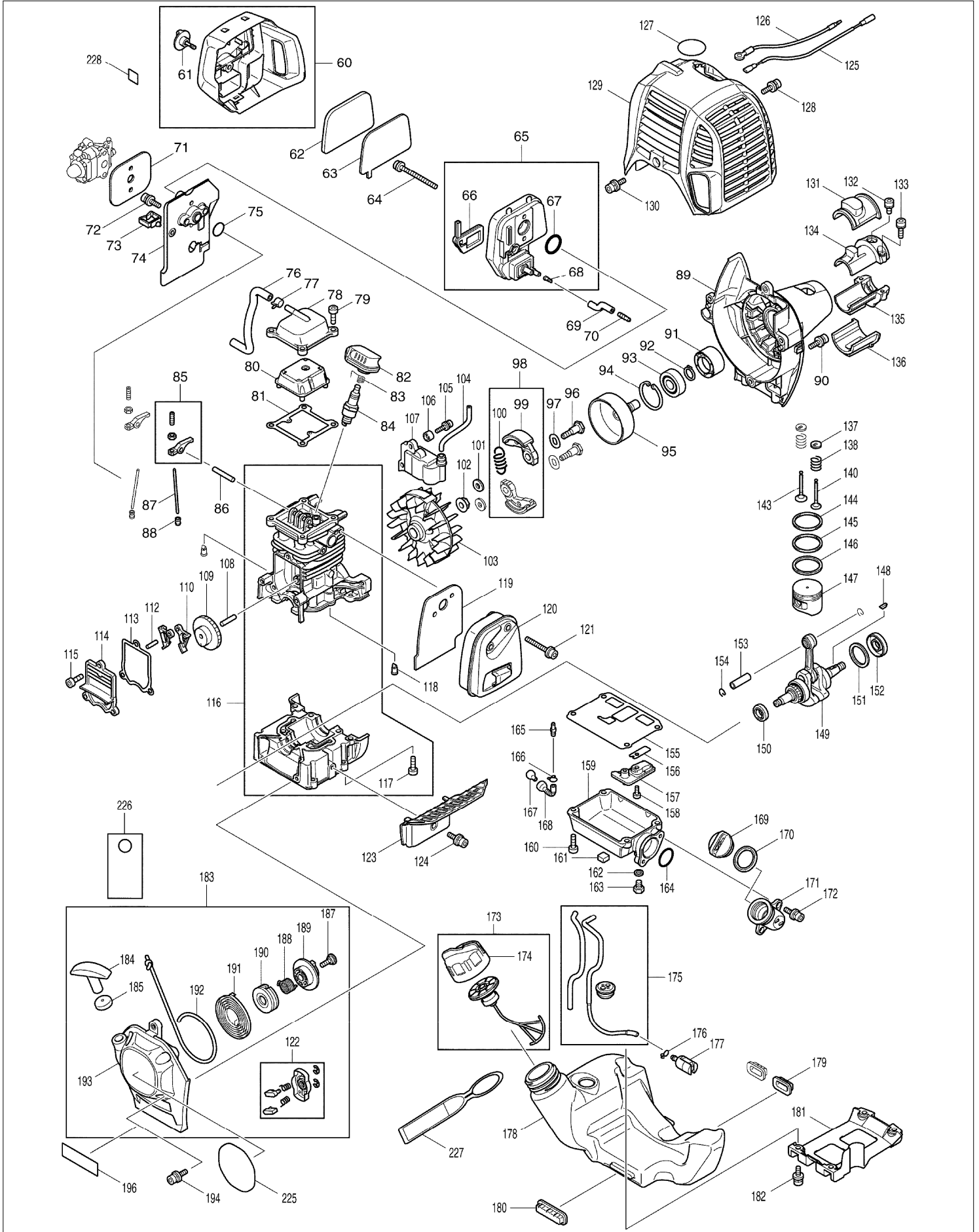
# DIAGRAMA

MODELO: EM2651UH



# DIAGRAMA

MODELO: EM2651UH



# DIAGRAMA

MODELO: EM2651UH

