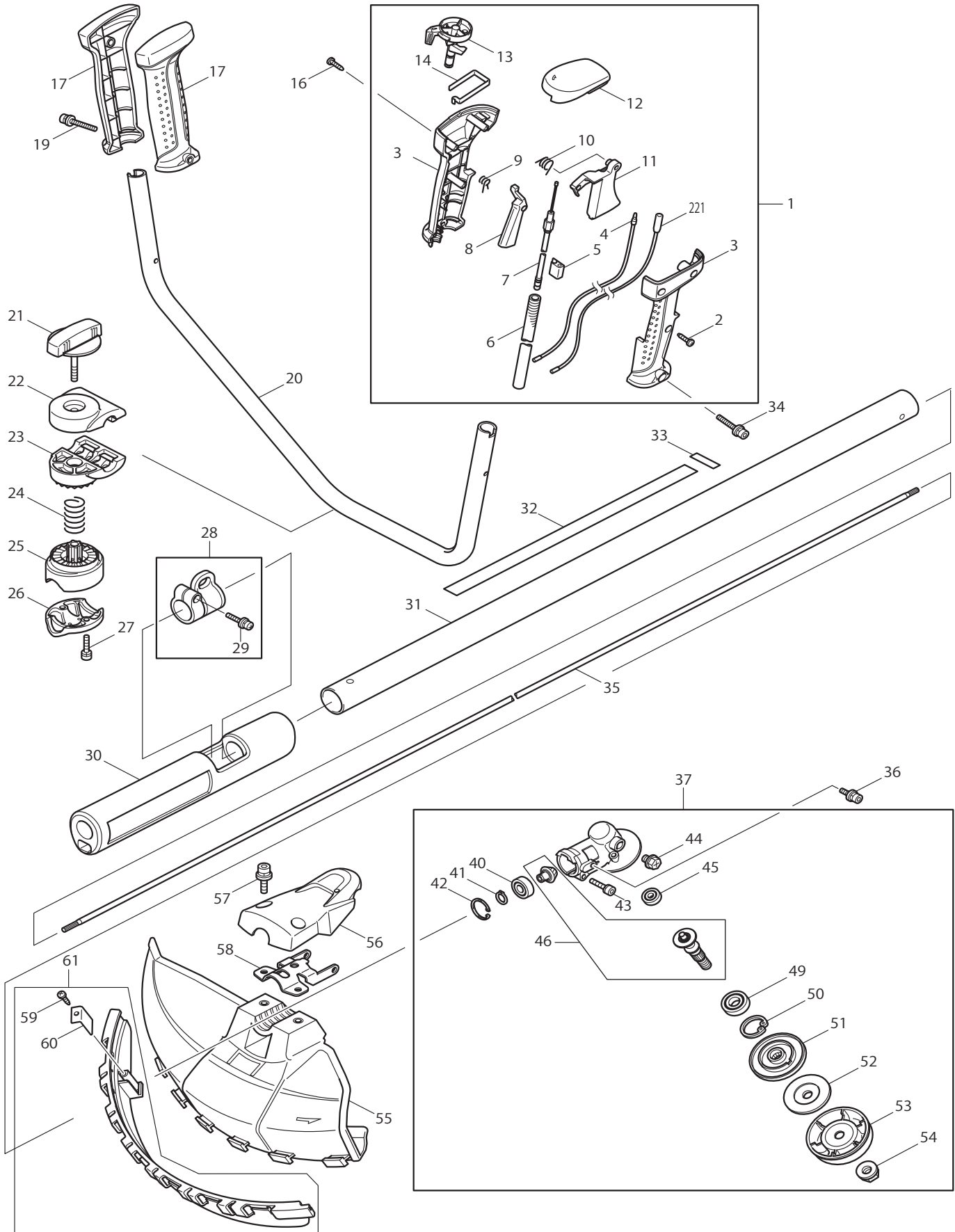


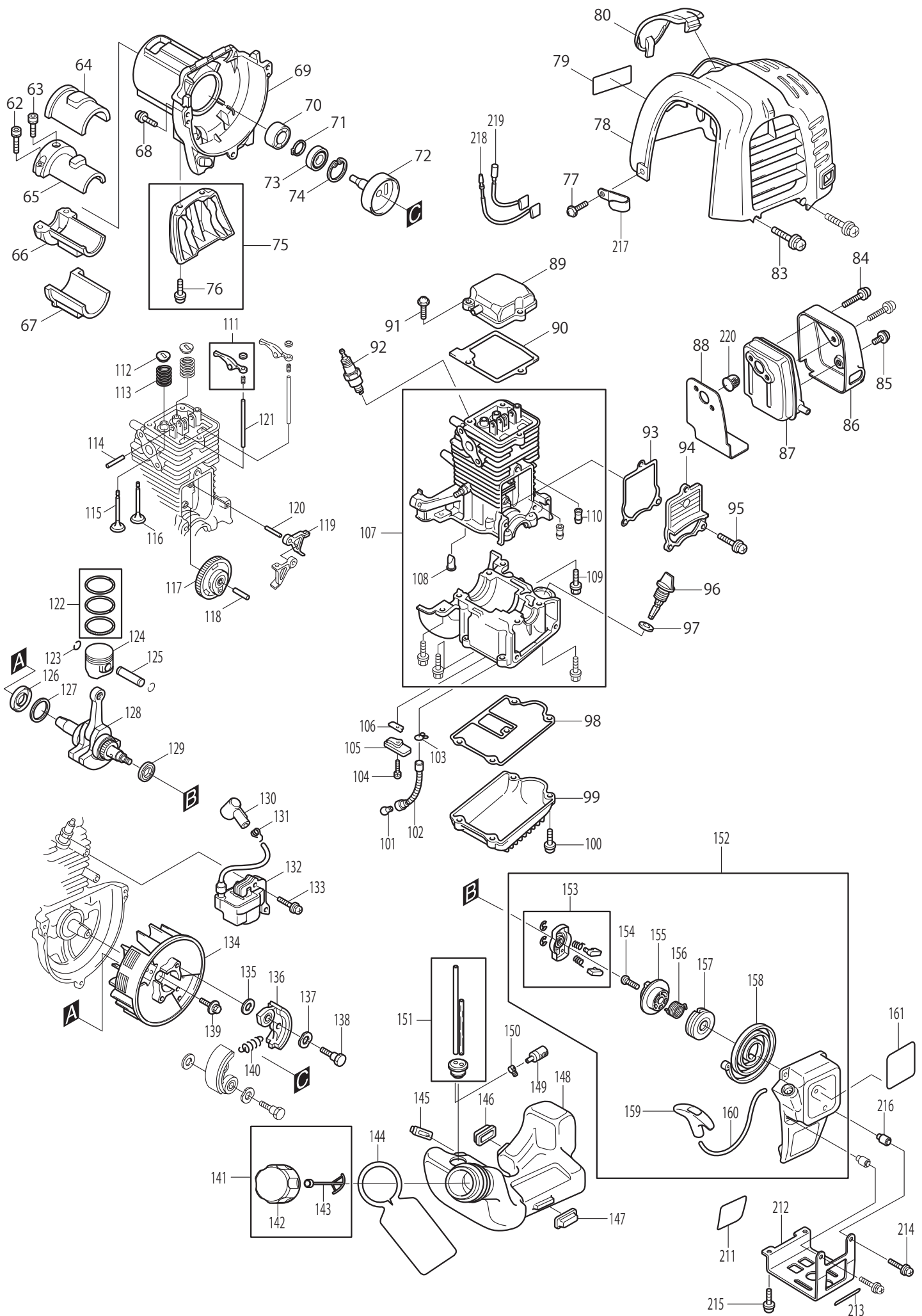


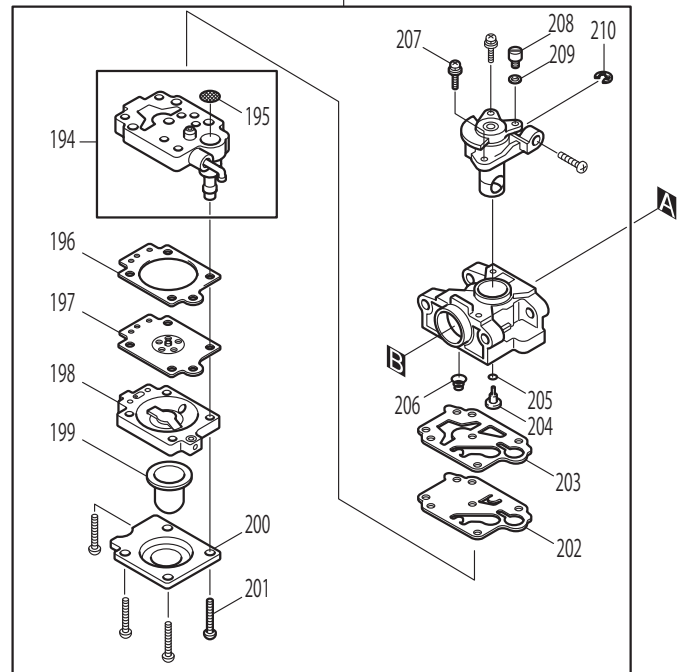
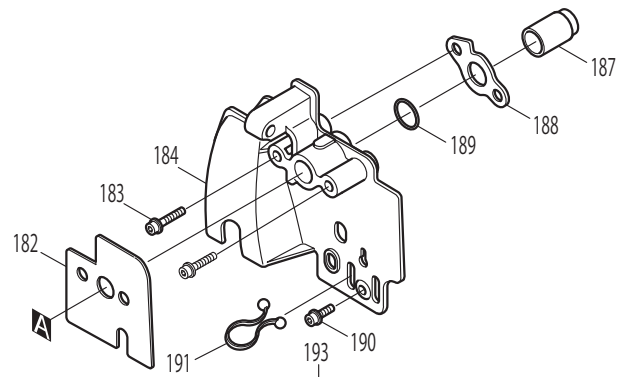
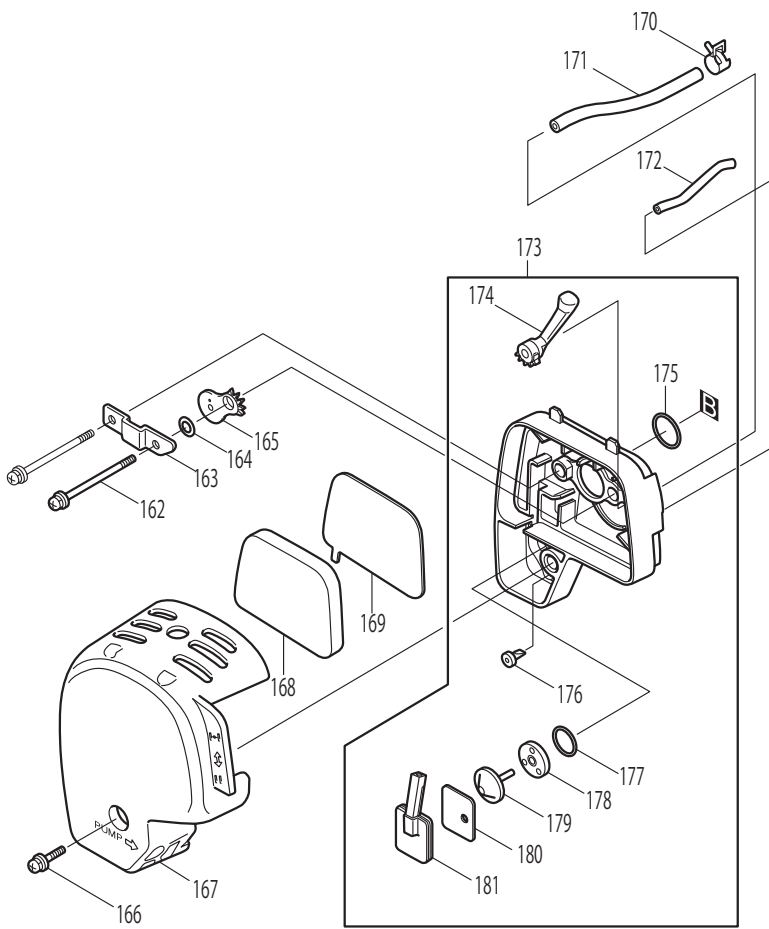
11 - 2012

EBH253U

24.5CC 4-STROKE BRUSH CUTTER







Item No	Type	Ref	Part No	Description	Qty	Unit
1			125544-0	CONTROL LEVER ASSEMBLY	1	PC.
		INC.		ITEM. 2-15,221		
2			266326-2	TAPPING SCREW 4X18	3	PC.
3			188656-0	LEVER CASE SET	1	SET
4			638663-8	LEAD UNIT	1	PC.
5			451081-1	CABLE HOLDER	1	PC.
6			451213-0	CORRUGATE TUBE	1	PC.
7			168527-7	CONTROL CABLE	1	PC.
8			451083-7	LOCK OFF LEVER	1	PC.
9			233541-3	TORSION SPRING 7	1	PC.
10			233540-5	TORSION SPRING 11	1	PC.
11			451084-5	THROTTLE LEVER	1	PC.
12			451085-3	SWITCH COVER	1	PC.
13			451082-9	SWITCH LEVER	1	PC.
14			232251-9	LEAF SPRING	1	PC.
16			266326-2	TAPPING SCREW 4X18	1	PC.
17			188659-4	GRIP SET	1	SET
19			922256-4	HEX. SOCKET HEAD BOLT M5X35	1	PC.
20			331862-8	HANDLE 19	1	PC.
21	1		168524-3	KNOB 57	1	PC.
	2		168796-0	KNOB 57	1	PC.
22			318429-9	HANDLE CLAMP	1	PC.
23			318428-1	HANDLE HOLDER	1	PC.
24			233202-5	COMPRESSION SPRING 20	1	PC.
25			318427-3	PIPE HOLDER	1	PC.
26			318426-5	PIPE CLAMP	1	PC.
27			922241-7	HEX. SOCKET HEAD BOLT M5X25	2	PC.
28			195143-2	HANGER SET	1	SET
		INC.		ITEM. 29		
29			911233-1	PAN HEAD SCREW M5X20	1	PC.
30			422045-2	CUSHION	1	PC.
31			140041-5	SHAFT PIPE COMPLETE	1	PC.
32			810542-4	CAUTION LABEL	1	PC.
33	1		806904-2	SERIAL NO. LABEL	1	PC.
33	2		819760-1	DATE CODE LABEL	1	PC.
	3		814A82-0	DATE CODE LABEL	1	PC.
	4		814E64-6	SERIAL NO. LABEL	1	PC.
34			922256-4	HEX. SOCKET HEAD BOLT M5X35	1	PC.
35			324893-4	SHAFT	1	PC.
36			922218-2	H.S.H.BOLT M5X14 WITH WR	2	PC.
37	1		125556-3	* GEAR CASE ASSEMBLY	1	PC.
	1	INC.		* ITEM. 40-46,49-54		
	2		126265-7	* GEAR CASE ASSEMBLY	1	PC.
		INC.		* Item No. 12-18,20,23-28		
40			210049-4	BALL BEARING 609ZZ	1	PC.
41			961005-4	RETAINING RING S-9	1	PC.
42			962103-7	RETAINING RING R-24	1	PC.
43			922241-7	HEX. SOCKET HEAD BOLT M5X25	1	PC.
44			265590-2	+HEX.BOLT M8X10 WITH R	1	PC.
45			211019-6	BALL BEARING 626	1	PC.
46	1		188902-1	* CUTTER SHAFT SET	1	PC.
	2		187547-2	* CUTTER SHAFT SET (Item 13,19,21,22)	1	PC.
49			210115-7	BALL BEARING 6001LLU	1	PC.
50			962106-1	RETAINING RING R-28	1	PC.
51			331861-0	RECEIVE WASHER	1	PC.
52	1		346084-7	CLAMP WASHER	1	PC.
	2		346660-7	CLAMP WASHER	1	PC.
53			168526-9	CUP	1	PC.

Item No	Type	Ref	Part No	Description	Qty	Unit
54	1		264025-0	* HEX. NUT M10-17	1	PC.
	2		264088-6	* HEX. LOCK NUT M10-17	1	PC.
55			452260-4	PROTECTOR	1	PC.
56			451097-6	PROTECTOR COVER	1	PC.
57			266579-3	HEX SOCKET HEAD BOLT M6X30	2	PC.
58			346073-2	PROTECTOR CLAMP	1	PC.
59			266326-2	TAPPING SCREW 4X18	1	PC.
60			346074-0	CUTTER	1	PC.
61			135398-7	PROTECTOR EXTENSION ASSY	1	PC.
		INC.		ITEM. 59,60		
62			922226-3	HEX. SOCKET HEAD BOLT M5X18	2	PC.
63			922211-6	HEX. SOCKET HEAD BOLT M5X12	1	PC.
64			424191-7	PIPE DAMPER 1	1	PC.
65			318270-0	PIPE BRACKET 1	1	PC.
66			318271-8	PIPE BRACKET 2	1	PC.
67			424107-2	PIPE DAMPER 2	1	PC.
68			922222-1	HEX. SOCKET HEAD BOLT M5X16	3	PC.
69			318329-3	CLUTCH CASE	1	PC.
70			450569-8	SPACER	1	PC.
71			961052-5	RETAINING RING S-12	1	PC.
72	1		168475-0	CLUTCH DRUM	1	PC.
	2		168809-7	CLUTCH DRUM	1	PC.
73			210111-5	BALL BEARING 6201LLU	1	PC.
74			962151-6	RETAINING RING R-32	1	PC.
75			195144-0	STAND SET	1	SET
		INC.		ITEM. 76		
76			911218-7	PAN HEAD SCREW M5X14	2	PC.
77			911213-7	PAN HEAD SCREW M5X12	2	PC.
78			450654-7	CYLINDER COVER	1	PC.
79			819312-8	MAKITA LOGO LABEL	1	PC.
80	1		450568-0	PLUG COVER	1	PC.
	2		452144-6	PLUG COVER	1	PC.
81			808633-3	4STROKE INDICATION LABEL (N/L/A)	1	PC.
83			911128-8	PAN HEAD SCREW M4X16	2	PC.
84			266440-4	HEX SOCKET HEAD BOLT M5X40	2	PC.
85			265184-3	+TRUSS HEAD SCREW M5X5	1	PC.
86			345915-7	MUFFLER COVER	1	PC.
87			168469-5	EXHAUST MUFFLER	1	PC.
88			345916-5	MUFFLER GASKET	1	PC.
89			140023-7	ROCKER COVER COMPLETE	1	PC.
90			162275-0	ROCKER COVER GASKET	1	PC.
91			922223-9	H.S.H.BOLT M5X16 WITH WR	3	PC.
92			168534-0	SPARK PLUG	1	PC.
93			162274-2	CAM GEAR COVER GASKET	1	PC.
94			318443-5	CAM GEAR COVER	1	PC.
95			922217-4	HEX. SOCKET HEAD BOLT M5X14	3	PC.
96			450565-6	OIL GAUGE	1	PC.
97			424100-6	GASKET	1	PC.
98			162276-8	CASE GASKET	1	PC.
99			318442-7	OIL CASE	1	PC.
100			922217-4	HEX. SOCKET HEAD BOLT M5X14	4	PC.
101			325666-8	OIL WEIGHT	1	PC.
102			424202-8	OIL TUBE	1	PC.
103			282020-8	HOSE CLAMP	1	PC.
104			922112-8	HEX. SOCKET HEAD BOLT M4X10	1	PC.
105			318440-1	RETAINER PLATE	1	PC.
106			346083-9	LEAD VALVE	1	PC.

Item No	Type	Ref	Part No	Description	Qty	Unit
107			135375-9	CYLINDER BLOCK ASSEMBLY	1	PC.
		INC.		ITEM. 108-110		
108			424201-0	CHECK VALVE	2	PC.
109			922217-4	HEX. SOCKET HEAD BOLT M5X14	8	PC.
110			424200-2	SPACER	2	PC.
111			125554-7	ROCKER ARM ASSEMBLY	2	PC.
112			325668-4	SPRING RETAINER	2	PC.
113			234108-0	COMPRESSION SPRING 9	2	PC.
114			256200-2	PIN 5	1	PC.
115			325670-7	INTAKE VALVE	1	PC.
116			325669-2	EXHAUST VALVE	1	PC.
117			125552-1	CAM GEAR ASSEMBLY	1	PC.
118			268238-5	PIN 5	1	PC.
119			313169-4	CAM LIFTER	2	PC.
120			268239-3	PIN 4	1	PC.
121			256865-0	ROD 2.5	2	PC.
122			195145-8	PISTON RING SET	1	SET
123			233976-8	CLIP	2	PC.
124			318441-9	PISTON	1	PC.
125			257781-9	PISTON PIN	1	PC.
126			213147-3	OIL SEAL 12	1	PC.
127			267400-9	FLAT WASHER 23	1	PC.
128	1		135374-1	CRANKSHAFT ASSEMBLY	1	PC.
128	2		135539-5	CRANKSHAFT ASSEMBLY	1	PC.
129			213148-1	OIL SEAL 10	1	PC.
130			424105-6	PLUG CAP	1	PC.
131			324891-8	PLUG CAP SPRING	1	PC.
132			168501-5	IGNITION COIL	1	PC.
133			922138-0	H.S.H.BOLT M4X20 WITH WR	2	PC.
134			318343-9	FLYWHEEL	1	PC.
135			267812-6	WASHER 6	2	PC.
136			168498-8	CLUTCH SHOE	2	PC.
137			267817-6	WASHER 8	2	PC.
138	1		266457-7	SHOULDER HEX. BOLT M6X25	2	PC.
	2		266864-4	SHOULDER HEX. BOLT M6X25	2	PC.
139			265577-4	HEX HEAD BOLT M6X16	1	PC.
140	1		231858-8	* TENSION SPRING 6	1	PC.
	2		231881-3	* TENSION SPRING 7	1	PC.
141			125472-9	FUEL TANK CAP ASSEMBLY	1	PC.
		INC.		ITEM. 142,143		
142			140435-4	FUEL TANK CAP	1	PC.
143			140436-2	STRAP COMPLETE	1	PC.
144			810455-9	CAUTION PLATE	1	PC.
145			424102-2	PLATE	1	PC.
146			424103-0	PLATE	1	PC.
147			424104-8	DAMPER	1	PC.
148	1		451251-2	FUEL TANK	1	PC.
148	2		454004-8	FUEL TANK	1	PC.
149			163447-0	GASOLINE FILTER	1	PC.
150			345920-4	HOSE CLAMP	1	PC.
151	1		168472-6	TUBE COMPLETE	1	PC.
151	2		168770-8	TUBE COMPLETE	1	PC.
152			195147-4	RECOIL STARTER SET	1	SET
		INC.		ITEM. 153-160		
153			168471-8	PULLEY	1	PC.
154			266585-8	TAPPING SCREW 5X12	1	PC.
155			451940-9	CAM PLATE	1	PC.
156			233984-9	DAMPER SPRING	1	PC.

Item No	Type	Ref	Part No	Description	Qty	Unit
157			451939-4	REEL	1	PC.
158			232258-5	SPIRAL SPRING	1	PC.
159			424319-7	STARTER KNOB	1	PC.
160			444020-8	STARTER ROPE	1	PC.
161			809117-4	EBH253U MODEL NO. LABEL	1	PC.
162			265188-5	+PAN HEAD SCREW M5X68	2	PC.
163			345919-9	PLATE	1	PC.
164			423376-2	GASKET	1	PC.
165			450560-6	CHOKE PLATE	1	PC.
166			911218-7	PAN HEAD SCREW M5X14	1	PC.
167			450561-4	AIR CLEANER COVER	1	PC.
168			443141-3	AIR CLEANER ELEMENT	1	PC.
169			443140-5	AIR CLEANER ELEMENT	1	PC.
170			345918-1	HOSE CLAMP	1	PC.
171			422041-0	BREATHER PIPE	1	PC.
172			422042-8	PIPE	1	PC.
173			125468-0	CLEANER PLATE ASSEMBLY	1	PC.
		INC.	140814-6	AIR CLEANER PLATE COMPLETE	1	PC.
		INC.		ITEM. 173-181		
174			451925-5	CHOKE LEVER	1	PC.
175			213540-1	O RING 15	1	PC.
176			424316-3	CHECK VALVE	1	PC.
177			213539-6	O RING 14	1	PC.
178			451924-7	CHECK VALVE PLATE	1	PC.
179			424315-5	CHECK VALVE	1	PC.
180			168577-2	SEPARATOR GASKET	1	PC.
181			168576-4	SEPARATOR PLATE	1	PC.
182			413121-3	CARBURETOR GASKET	1	PC.
183			922228-9	H.S.H.BOLT M5X18 WITH WR	2	PC.
184			450559-1	INSULATOR	1	PC.
187			324961-3	INTAKE PIPE	1	PC.
188			413120-5	INSULATOR GASKET	1	PC.
189			213078-6	O-RING 10	1	PC.
190			922213-2	H.S.H.BOLT M5X12 WITH WR	1	PC.
191			450562-2	CLAMP	1	PC.
193			168497-0	CARBURETOR	1	PC.
		INC.		ITEM. 194,196-210		
194			140437-0	PUMP BODY	1	PC.
		INC.		ITEM. 195		
195			352010-6	INLET SCREEN	1	PC.
196			442154-1	METERING DIAPHRAGM GASKET	1	PC.
197			168574-8	METERING DIAPHRAGM	1	PC.
198			140438-8	AIR PURGE BODY	1	PC.
199			424314-7	PRIMER PUMP	1	PC.
200			346270-0	PRIMER PUMP COVER	1	PC.
201			266582-4	TAPPING SCREW 3X24	4	PC.
202			168575-6	PUMP DIAPHRAGM	1	PC.
203			442155-9	PUMP GASKET	1	PC.
204			325924-2	JET	1	PC.
205			213538-8	O RING 2	1	PC.
206			234183-6	CONICAL COMPRESSION SPRING 5-9	1	PC.
207			266581-6	PAN HEAD SCREW M3X8 WITH W	2	PC.
208			325922-6	SWIVEL	1	PC.
209			413140-9	WASHER	1	PC.
210			257964-1	STOP RING E-3	1	PC.

Item No	Type	Ref	Part No	Description	Qty	Unit
211	1		808720-8	ENGINE LABEL	1	PC.
	2		808720-8	GAS EMISSION APPROVAL LABEL	1	PC.
212			345964-4	TANK GUARD	1	PC.
213			814998-3	SERIAL NO. LABEL	1	PC.
214			911148-2	PAN HEAD SCREW M4X25	2	PC.
215			911213-7	PAN HEAD SCREW M5X12	2	PC.
216			331835-1	SPACER	2	PC.
217			345963-6	CLAMP	1	PC.
218			638664-6	LEAD UNIT	1	PC.
219			638665-4	LEAD UNIT	1	PC.
220			324980-9	SPARK ARRESTER	1	PC.
221			638671-9	LEAD UNIT	1	PC.
222			413143-3	WASHER	2	PC.
E01			808143-0	INDICATION LABEL	1	PC.
E02			819432-8	CAUTION TAG	1	PC.
C01			870190-1	CARTON for EBH253U	1	PC.

ACCESSORIES

- See Catalogue or visit www.makita.ca for more accessories -

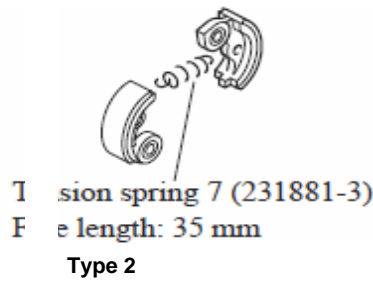
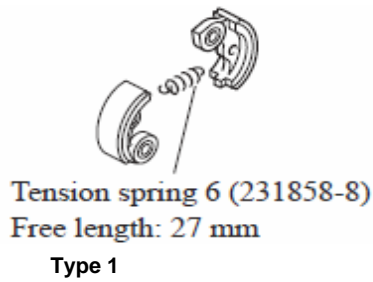
A01	1		122855-4	BAND ASSEMBLY	1	PC.
	2		122906-3	BAND ASSY	1	PC.
		INC.	140400-3	HOOK COMPLETE	1	PC.
A02			242072-1	OIL BOTTLE	1	PC.
A03			783013-3	BOX DRIVER 16-17	1	PC.
A04			783217-7	HEX. WRENCH 5	1	PC.
A05			783202-0	HEX. WRENCH 4	1	PC.
A06			831304-7	ACCESSORY BAG	1	PC.
A07			450573-7	BLADE GUARD	2	PC.
A08			B-14118	STAR BLADE 230X4TX25.4	1	PC.
A10			195500-4	OIL SET (4 STROKE ENGINE OIL 80CC) - N/A as repair parts	1	SET
A11			195298-3	CUTTER BLADE SET	1	SET

SERVICE CHANGES

1. Changes on Tension Spring In Clutch Assembly

Item No.	Description (Type 1 >Type 2)	Type 1	Type 2
140	Tension Spring 6 >Tension Spring 7	231858-8	231881-3

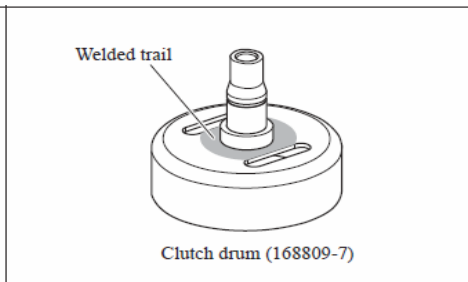
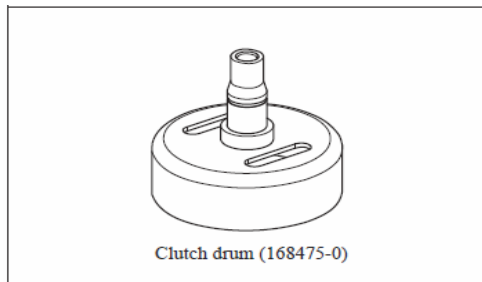
(T/I# Y06373)



2. Changes on Clutch drum

Item No.	Description	Type 1	Type 2
72	Clutch drum	168475-0	168809-7

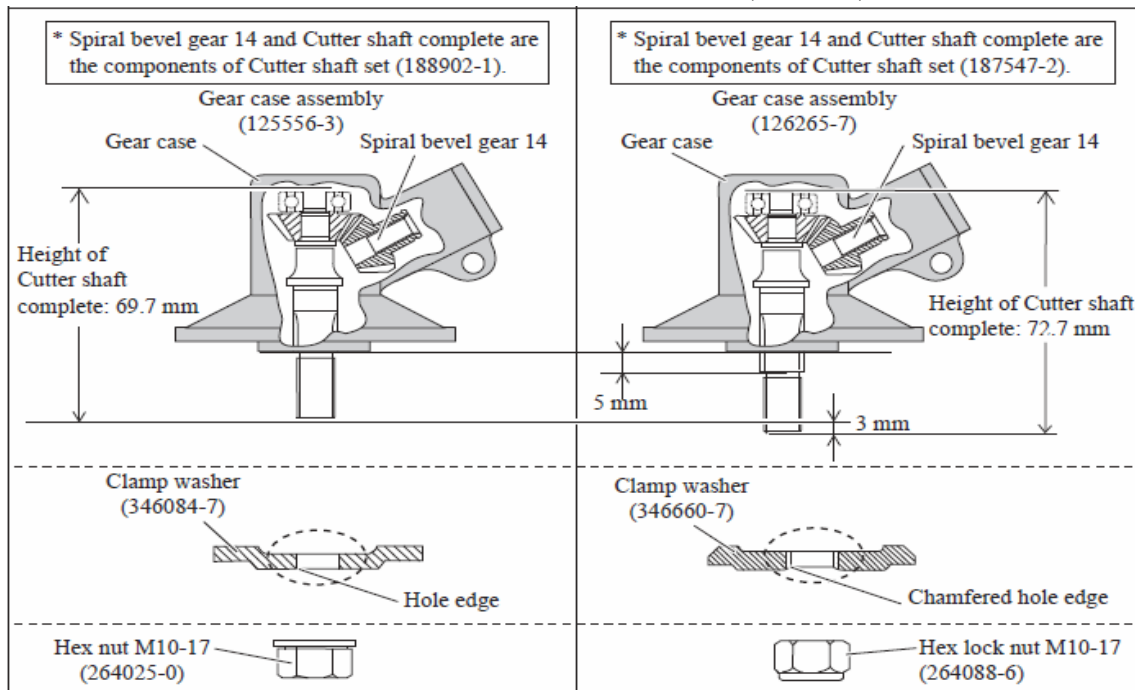
(T/I# 99822)



7. Changes on Gear Case Assembly

Item No.	Description	Type 1	Type 2
37	Gear Case Assembly	125556-3	126265-7
46	Cutter Shaft Set	188902-1	187547-2
52	Clamp Washer	346084-7	346660-7
54	Hex Nut M10-17 >Hex Lock Nut M10-17	264025-0	264088-6

(T/I# 97725)



Type 1

Type 2