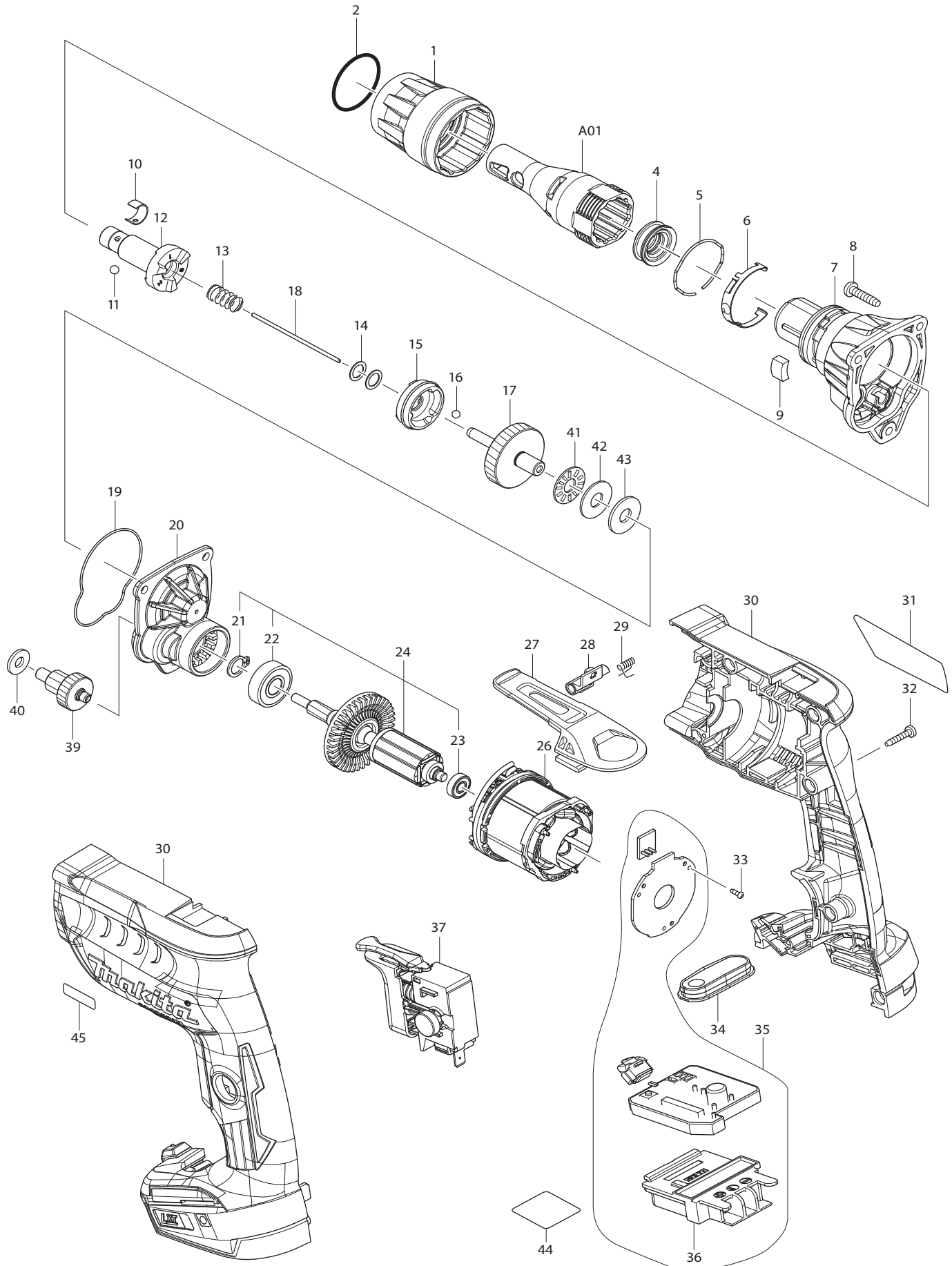




10 - 2016

DFS250Z

18V LXT Brushless Screwdriver



Item Type	Part No	Description	Qty	Unit		
1	455591-0	LOCK RING	1	PC.		
2	424235-3	SEAL RING 30	1	PC.		
4	424665-8	DUST SEAL SLEEVE	1	PC.		
5	234348-0	RING SPRING 30	1	PC.		
6	232245-4	LEAF SPRING	1	PC.		
7	144156-0	GEAR HOUSING COMPLETE	1	PC.		
	INC. 213796-6	OIL SEAL 11	1	PC.		
8	265995-6	TAP SCREW M4X18	3	PC.		
9	423413-2	RUBBER PLATE	1	PC.		
10	232050-9	LEAF SPRING	1	PC.		
11	216001-0	STEEL BALL 3.5	1	PC.		
12	144159-4	SPINDLE 125S COMPLETE	1	PC.		
13	234121-8	COMPRESSION SPRING 8	1	PC.		
14	267202-3	FLAT WASHER 8	2	PC.		
15	223181-5	CLUTCH CAM 125S	1	PC.		
16	216008-6	STEEL BALL 4	3	PC.		
17	1	144160-9	*	GEAR COMPLETE	1	PC.
	2	144703-7	*	GEAR COMPLETE	1	PC.
18	256342-2	ROD 2	1	PC.		
19	424928-2	SEAL RING	1	PC.		
20	144161-7	GEAR HOUSING COVER COMPLETE	1	PC.		
	INC. 210003-8	BALLBEARING 685ZZ	1	PC.		
21	961005-4	RETAINING RING S-9	1	PC.		
22	211493-8	BALL BEARING 609DDW	1	PC.		
23	210039-7	BALL BEARING 695DDW	1	PC.		
24	519424-4	ROTOR ASSY	1	PC.		
	INC.	Item No. 21-23				
26	629135-4	STATOR	1	PC.		
27	162272-6	HOOK	1	PC.		
28	142908-3	LEVER COMPLETE	1	PC.		
29	233619-2	TORSION SPRING 3	1	PC.		
30	183F17-5	HOUSING SET	1	SET		
	INC. 263005-3	RUBBER PIN 6	2	PC.		
	INC. 252126-6	HEX LOCKING NUT M4-7	2	PC.		
31	852V20-0	NAME PLATE F/DFS250	1	PC.		
32	266130-9	TAP SCREW BIND PT 3X16	7	PC.		
33	266490-9	TAP SCREW PT M2X6	3	PC.		
34	144162-5	SWITCH PLATE COMPLETE	1	PC.		
35	620616-1	CONTROLLER COMPLETE	1	PC.		
	INC.	Item No. 36				
36	643860-3	TERMINAL	1	PC.		
37	650733-3	SWITCH C3JW-4B-2L	1	PC.		
39	221478-6	GEAR COMPLETE 9-23	1	PC.		
40	267100-1	FLAT WASHER 6	1	PC.		
41	216415-3	THRUST NEEDLE CAGE 821	1	PC.		
42	216212-7	WASHER 821	1	PC.		
43	261111-8	URETHANE WASHER 8	1	PC.		
44	852V21-8	SERIAL NO. LABEL F/DFS250	1	PC.		
45	810W86-2	2500RPM INDICATION LABEL	1	PC.		
100	266622-8	+ TRUSS HEAD SCREW M4X12 F/HOOK	1	PC.		

Item Type	Part No	Description	Qty	Unit
<u>ACCESSORIES</u> - See Catalogue or visit www.makita.ca for more accessories -				
A01	158876-0	LOCATOR L COMPLETE	1	PC.
A02	346449-3	HOOK F/14.4V, 18V LI-ION BATTERY	1	PC.
A03	784261-7	+ BIT 2-25	2	PC.
	-----	DRIVER BITS		
A04	784801-1	MAGNETIC BIT HOLDER 6.35-76	1	PC.
Opt.	784807-9	MAGNETIC BIT HOLDER 6.35-60	1	PC.
A05	197211-7	INTERLOCKING TOOL CASE M	1	PC.
INC.	453974-8	LOCKING LATCH	4	PC.
A06	T-02571	FOAM INSERT F/INTERLOCK CASE	2	PC.
A07	-----	18V LI-ION BATTERY		
A08	-----	BATTERY CHARGER		
A09	-----	LI-ION BATTERY ACCESSORIES		

SERVICE CHANGES

1. Changes on Stator Complete

(TI#B7161)

Item No.	Description	Type 1	Type 2
1	GEAR COMPLETE	144160-9	144703-7

