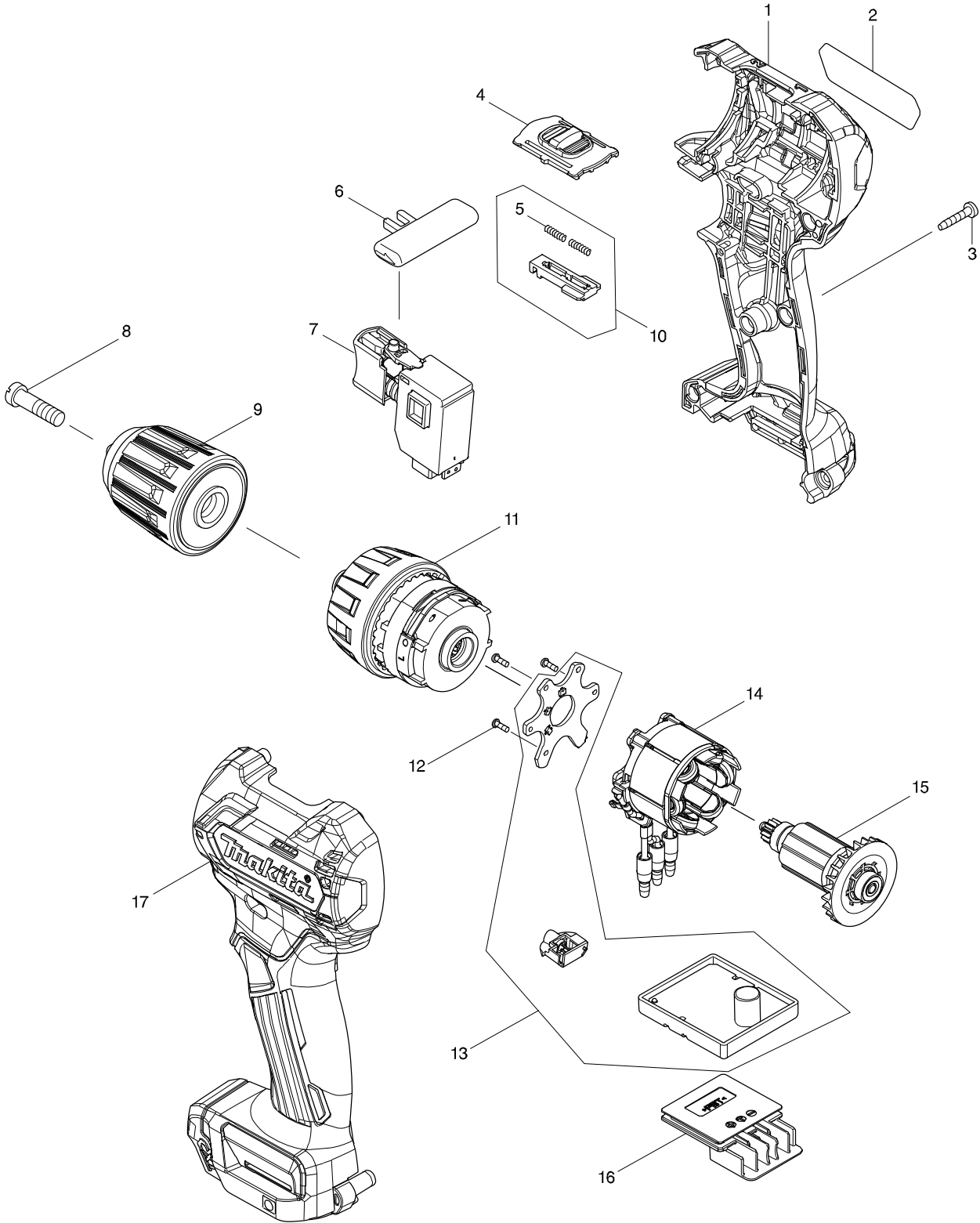


Model No. DF332D CORDLESS DRIVER DRILL



Model No. DF332D CORDLESS DRIVER DRILL

| Item | Parts No. | Description | I/C | Qty | N/O | Opt. 1 | Opt. 2 | Note |
|-------|-----------|-------------------------|-----|-----|-----|--------|--------|------|
| 001 | 183C34-7 | HOUSING SET | | 1 | | | | |
| D10 | | INC. 17 | | | | | | |
| 002 | 851T91-2 | DF332D NAME PLATE | | 1 | | | | |
| 003 | 266429-2 | TAPPING SCREW 3X16 | | 8 | | | | |
| 004 | 456532-9 | SPEED CHANGE LEVER | | 1 | | | | |
| 005 | 233025-1 | COMPRESSION SPRING 2 | | 2 | | | | |
| 006 | 419041-9 | F/R CHANGE LEVER | | 1 | | | | |
| 007 | 650689-0 | SWITCH C3JW-2B | | 1 | | | | |
| 008 | 251468-5 | - FLAT HEAD SCREW M6X22 | | 1 | | | | |
| 009 | 763238-5 | KEYLESS DRILL CHUCK 10 | | 1 | | | | |
| 010 | 123587-6 | CHANGE LEVER ASS'Y | | 1 | | | | |
| D10 | | INC. 5 | | | | | | |
| 011 | 123549-4 | GEAR ASSEMBLY | | 1 | * | | | |
| 011-1 | 123868-8 | GEAR ASSEMBLY | O | 1 | | | | |
| 012 | 266490-9 | TAPPING SCREW PT 2X6 | | 3 | | | | |
| 013 | 620487-6 | CONTROLLER | | 1 | * | | | |
| 013-1 | 620487-6 | CONTROLLER | O | 1 | | | | |
| C10 | 620553-9 | LED CIRCUIT | | 1 | | | | |
| 014 | 629178-6 | STATOR | | 1 | | | | |
| 015 | 619393-0 | ROTOR | | 1 | * | | | |
| 015-1 | 619410-6 | ROTOR | O | 1 | | | | |
| 016 | 644813-5 | TERMINAL | | 1 | | | | |
| 017 | 183C34-7 | HOUSING SET | | 1 | | | | |
| D10 | | INC. 1 | | | | | | |
| A01 | 251314-2 | + SCREW M4X12 | | 1 | | | | |
| A02 | 346909-5 | HOOK | | 1 | | | | |
| A03 | 784202-3 | PHILLIPS BIT 2-45 | | 1 | | | | |
| A04B | 456128-6 | BATTERY COVER | | 1 | | | | |
| A05B | ***DC10SB | DC10SB BATTERY CHARGER | | 1 | | | | |
| D10 | | COMPO-PARTS | | | | | | |
| A06B | 197396-9 | BATTERY BL1021B SET | | 2 | | | | |
| A07B | 821661-1 | PLASTIC CARRYING CASE | | 1 | | | | |
| C10 | 417724-5 | LATCH | | 2 | | | | |
| | | | | | | | | |
| | | | | | | | | |
| | | | | | | | | |
| | | | | | | | | |
| | | | | | | | | |
| | | | | | | | | |
| | | | | | | | | |
| | | | | | | | | |
| | | | | | | | | |
| | | | | | | | | |
| | | | | | | | | |
| | | | | | | | | |
| | | | | | | | | |
| | | | | | | | | |
| | | | | | | | | |