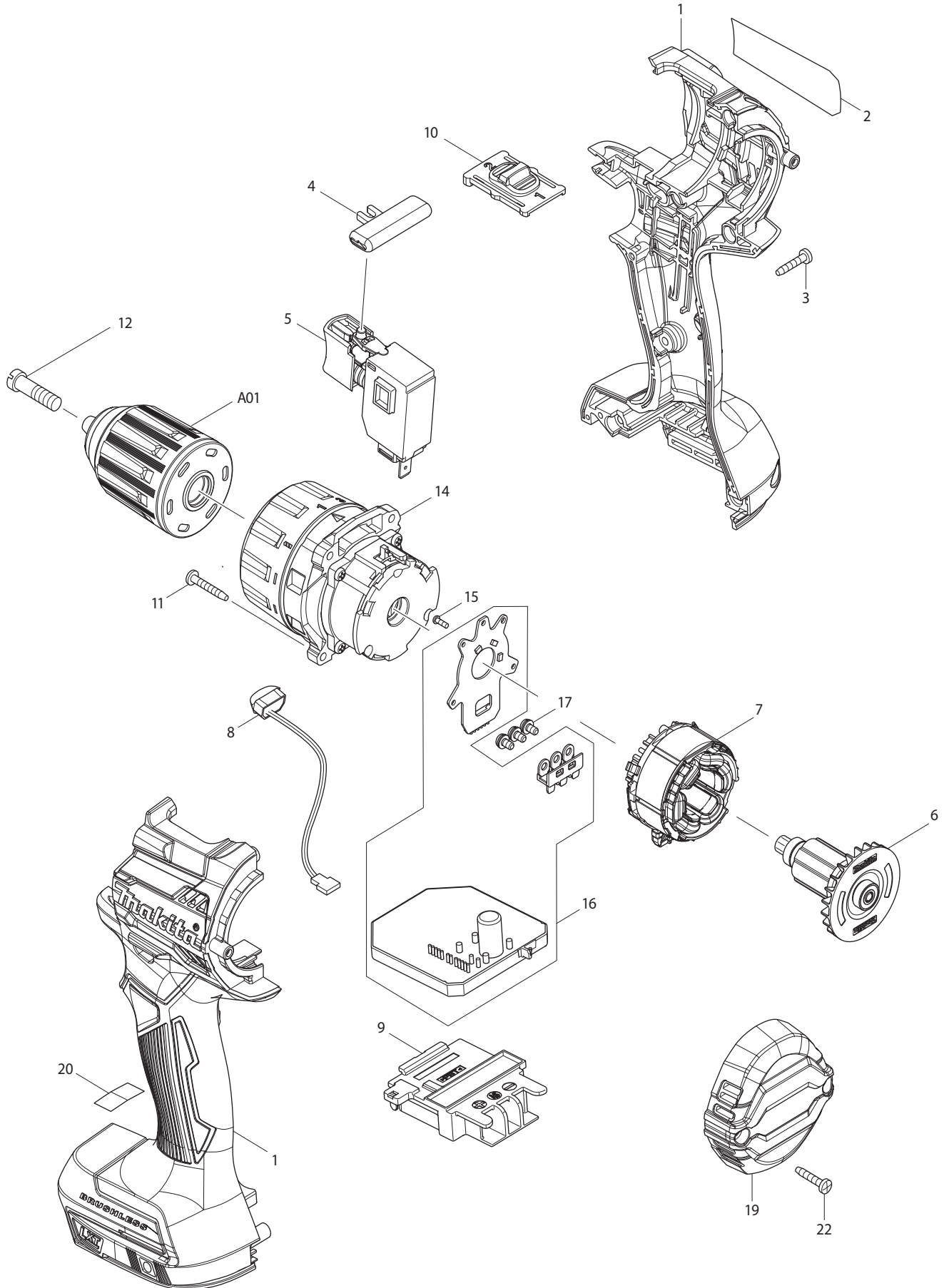




06 - 2016
DDF484RME, DDF484RTE, DDF484Z
18V LXT Brushless 1/2" Driver Drill



Item NcType	Part No	Description	Qty	Unit
1	183E71-3	HOUSING SET	1	SET
	INC. 263005-3	RUBBER PIN 6	2	PC.
	INC. 252126-6	HEX LOCKING NUT M4-7	2	PC.
2	852M14-1	NAME PLATE F/DDF484	1	PC.
3	266429-2	TAPPING SCREW 3X16	7	PC.
4	419041-9	CHANGE LEVER F/R	1	PC.
5	650710-5	SWITCH C3JW-4B	1	PC.
6	619406-7	ROTOR	1	PC.
7	629225-3	STATOR	1	PC.
8	620549-0	LED CIRCUIT	1	PC.
9	643874-2	TERMINAL	1	PC.
10	123738-1	SPEED CHANGE LEVER ASSEMBLY	1	PC.
	INC. 233438-6	COMPRESSION SPRING 4	2	PC.
11	251497-8	TAPPING SCREW 3X20	4	PC.
12	251468-5	- FLAT HEAD SCREW M6X22	1	PC.
14	123737-3	GEAR ASSEMBLY	1	PC.
15	266490-9	TAPPING SCREW PT 2X6	3	PC.
16	620548-2	CONTROLLER	1	PC.
17	652069-6	FLAT HEAD SCREW M3X6	3	PC.
19	456966-6	REAR COVER	1	PC.
20	809U04-3	CAUTION LABEL	1	PC.
22	266429-2	TAPPING SCREW 3X16	2	PC.
100	251314-2	+TH SCREW M4X12 F/HOOK & BIT HOLDER	1	PC.

ACCESSORIES

- Visit www.makita.ca for more accessories information -

A01	766027-7	1/2" KEYLESS DRILL CHUCK	1	PC.
A02	346449-3	HOOK	1	PC.
A03	784637-8	DOUBLE ENDED BIT 2-45	1	PC.
A04	821532-2	PLASTIC CASE COMPLETE	1	PC.
	Opt. 158597-4	PLASTIC CARRYING CASE COMPLETE	1	PC.
	INC. 417724-5	LATCH	2	PC.
	INC. 324679-6	SHAFT	1	PC.
	INC. 419216-0	HANDLE	1	PC.
A05	450128-8	BATTERY COVER	1	PC.
	-----	LI-ION BATTERY ACCESSORIES		
A06	-----	BATTERY CHARGER	1	PC.
A07	-----	18V LI-ION BATTERY	2	PC.
A08	452947-8	BIT HOLDER	1	PC.
A09	-----	SPADE BITS		
A10	-----	SELF FEED DRILL BITS		
A11	-----	FORSTNER BITS		
A12	-----	SPIRAL STEP DRILL BITS		
A13	-----	COUNTERSINK DRILL BITS		
A14	-----	EZYCHANGE BIM HOLE SAWS		
A15	-----	BIM HOLE SAWS		
A16	-----	IMPACT GOLD DRIVER BITS		
A17	-----	OMNIBOHRER CONSTRUCTION DRILL BITS		
A18	-----	HOLLOW SOCKETS		
A19	-----	THREADED ROD SOCKETS		
A20	-----	HEX SHANK SHIP AUGER BITS		
A21	-----	SCREW GUIDE BIT HOLDERS		
A22	-----	12" FLEXIBLE BIT HOLDER		