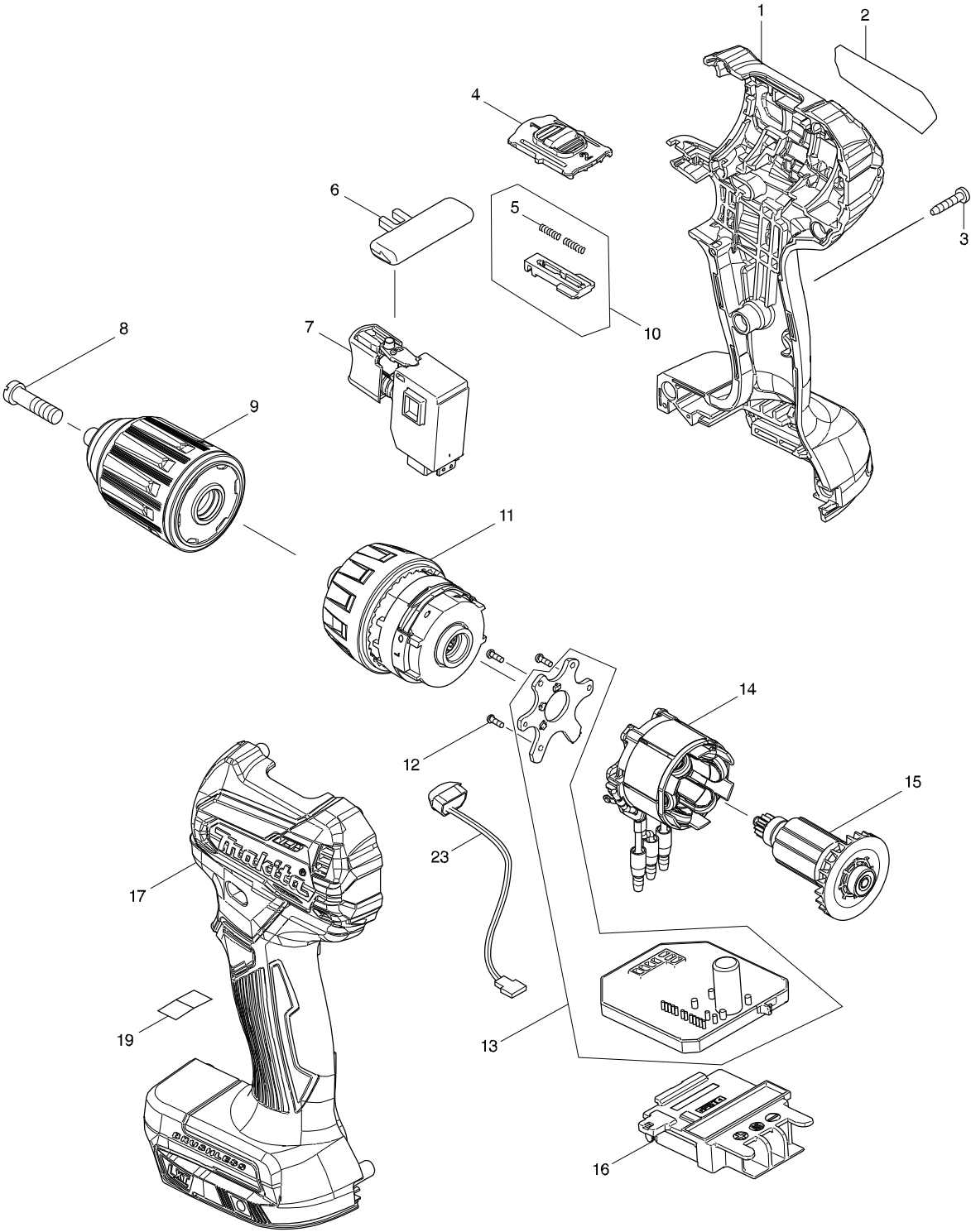


Model No. DDF483 CORDLESS DRIVER DRILL



Item	Parts No.	Description	I/C	Qty	N/O	Opt. 1	Opt. 2	Note
001	183E19-5	HOUSING SET		1				
	C10	263005-3	RUBBER PIN 6	2				
	C20	252126-6	HEX. LOCKING NUT M4-7	2				
	D10		INC. 17					
002	852L71-3	DDF483 NAME PLATE		1				
003	266429-2	TAPPING SCREW 3X16		8				
004	457020-9	SPEED CHANGE LEVER		1				
005	233025-1	COMPRESSION SPRING 2		2				
006	419041-9	F/R CHANGE LEVER		1				
007	650689-0	SWITCH C3JW-2B		1				
008	251468-5	- FLAT HEAD SCREW M6X22		1				
009	763241-6	KEYLESS DRILL CHUCK 13		1				
010	123587-6	CHANGE LEVER ASS'Y		1				
	D10		INC. 5					
011	123868-8	GEAR ASSEMBLY		1				
012	266490-9	TAPPING SCREW PT 2X6		3				
013	620555-5	CONTROLLER		1				
014	629228-7	STATOR		1				
015	619410-6	ROTOR		1				
016	643874-2	TERMINAL		1				
017	183E19-5	HOUSING SET		1				
	C10	263005-3	RUBBER PIN 6	2				
	C20	252126-6	HEX. LOCKING NUT M4-7	2				
	D10		INC. 1					
023	620549-0	LED CIRCUIT		1				
A01	251314-2	+ SCREW M4X12		1				
A02	346317-0	HOOK		1				
A03	784637-8	+/- BIT 2-45		1				
A04B	141856-3	PLASTIC CARRYING CASE COMPLETE		1				
	C10	162302-3	LATCH	2				
A04C	141856-3	PLASTIC CARRYING CASE COMPLETE		1				
	C10	162302-3	LATCH	2				
A05B	450128-8	BATTERY COVER		1				
A05C	450128-8	BATTERY COVER		1				
A06B	***DC18RC	DC18RC FAST CHARGER		1				
	D10		COMPO-PARTS					
A06C	***DC18RC	DC18RC FAST CHARGER		1				
	D10		COMPO-PARTS					
A07B	197600-6	BATTERY BL1830B SET		2				
A07C	197280-8	BATTERY BL1850B SET		2				