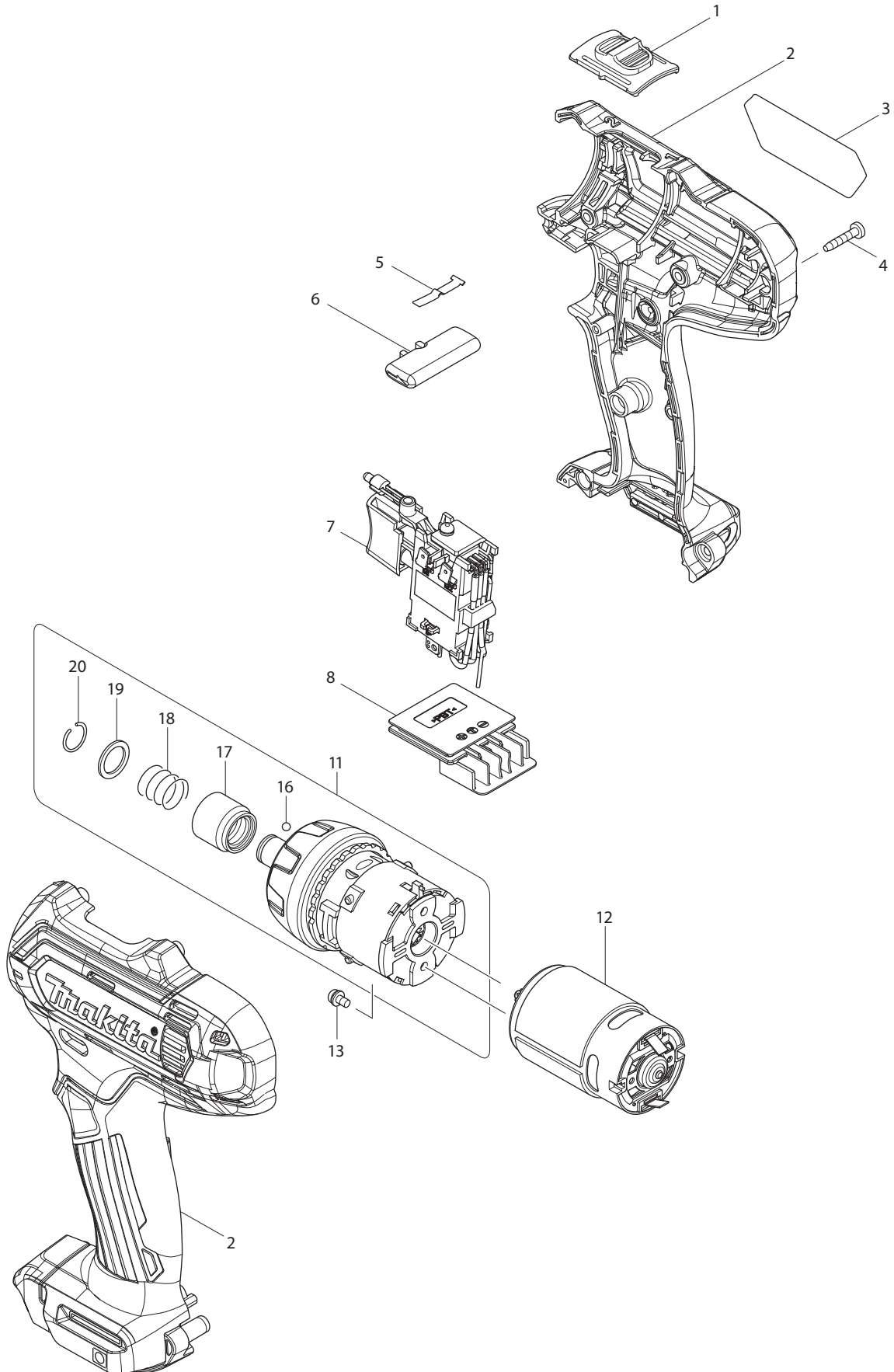




09 - 2015
DF031DSYE / DF031DZ
12V 1/4" Hex Driver Drill



Item No.	Type	Sub	Part No.	Description	Qty	Unit
1			126233-0	SPEED CHANGE LEVER ASSEMBLY	1	PC.
		INC.	231433-0	COMPRESSION SPRING 4	2	PC.
2			183B50-3	HOUSING SET	1	SET
		INC.	252126-6	HEX. LOCKING NUT M4-7	2	PC.
3			851H55-4	NAME PLATE F/DF031D	1	PC.
4			266429-2	TAPPING SCREW 3X16	9	PC.
5			232239-9	LEAF SPRING	1	PC.
6			456039-5	F/R CHANGE LEVER	1	PC.
7			632F43-6	SWITCH UNIT	1	PC.
8			644813-5	TERMINAL	1	PC.
11			123504-6	GEAR ASS'Y	1	PC.
		INC.		Item No. 16-20		
12			629169-7	DC MOTOR	1	PC.
13			911003-8	PAN HEAD SCREW M3X6	2	PC.
16			216019-1	STEEL BALL 3	2	PC.
17			324919-2	BIT SLEEVE	1	PC.
18			233005-7	COMPRESSION SPRING 13	1	PC.
19			267143-3	FLAT WASHER 11	1	PC.
20			231965-7	RING SPRING 10	1	PC.
100			251314-2	+ SCREW M4X12 F/HOOK (Item No. A02)	1	PC.
C01			878345-2	CARTON F/DF031DZ	1	PC.
C01A			878354-1	CARTON F/DF031DSYE	1	PC.
<u>ACCESSORIES</u>		- Visit www.makita.ca for more accessories information -				
A02			346909-5	HOOK F/12V LI-ION SLIDE BATTERY	1	PC.
A03			784244-7	(+) DOUBLE END BIT #2-50	1	PC.
A04			456128-6	BATTERY COVER F/12V LI-ION SLIDE BATTERY	1	PC.
A05			DC10SB	CHARGER DC10SB	1	PC.
A06			----	12V MAX LI-ION BATTERY, SLIDE TYPE	2	PC.
A07			821661-1	PLASTIC CARRYING CASE	1	PC.
		INC.	417724-5	LATCH	2	PC.
A08			T-02272	HOLSTER	1	PC.
			168467-9	HOLSTER	1	PC.
A09			----	BIT HOLDER	1	PC.