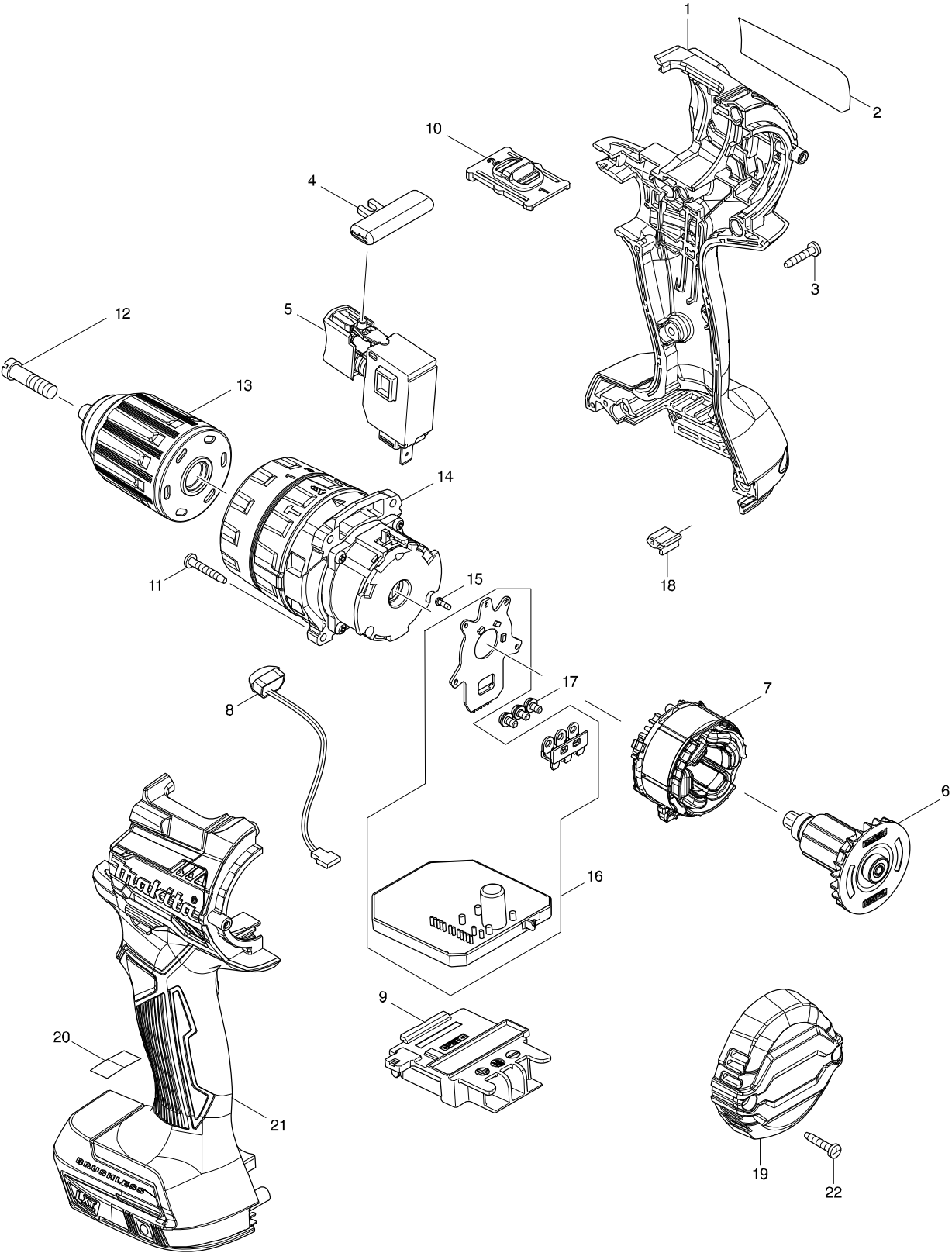


Model No. DHP484 CORDLESS HAMMER DRIVER DRILL



Model : DHP484 CORDLESS HAMMER DRIVER DRILL

Item	Sub	Parts No.	Parts Description	Qty
1		183E71-3	HOUSING SET	1
1	C10	263005-3	RUBBER PIN 6	2
1	C20	252126-6	HEX. LOCKING NUT M4-7 INC. 21	2
2		852L96-7	DHP484 NAME PLATE	1
3		266429-2	TAPPING SCREW 3X16	7
4		419041-9	F/R CHANGE LEVER	1
5		650710-5	SWITCH C3JW-4B	1
6		619406-7	ROTOR	1
7		629225-3	STATOR	1
8		620549-0	LED CIRCUIT	1
9		643874-2		1
10		123738-1	SPEED CHANGE LEVER ASSEMBLY	1
10	C10	233438-6	COMPRESSION SPRING 4	2
11		251497-8	TAPPING SCREW 3X20	4
12		251468-5	FLAT HEAD SCREW M6X22	1
13		766027-7	KEYLESS DRILL CHUCK 13	1
14		123736-5	GEAR ASSEMBLY	1
15		266490-9	TAPPING SCREW PT 2X6	3
16		620548-2	CONTROLLER	1
17		652069-6	FLAT HEAD SCREW M3X6	3
18		424517-3	CUSHION	1
19		456967-4	REAR COVER	1
21		183E71-3	HOUSING SET	1
21	C10	263005-3	RUBBER PIN 6	2
21	C20	252126-6	HEX. LOCKING NUT M4-7 INC. 1	2
22		266429-2	TAPPING SCREW 3X16	2