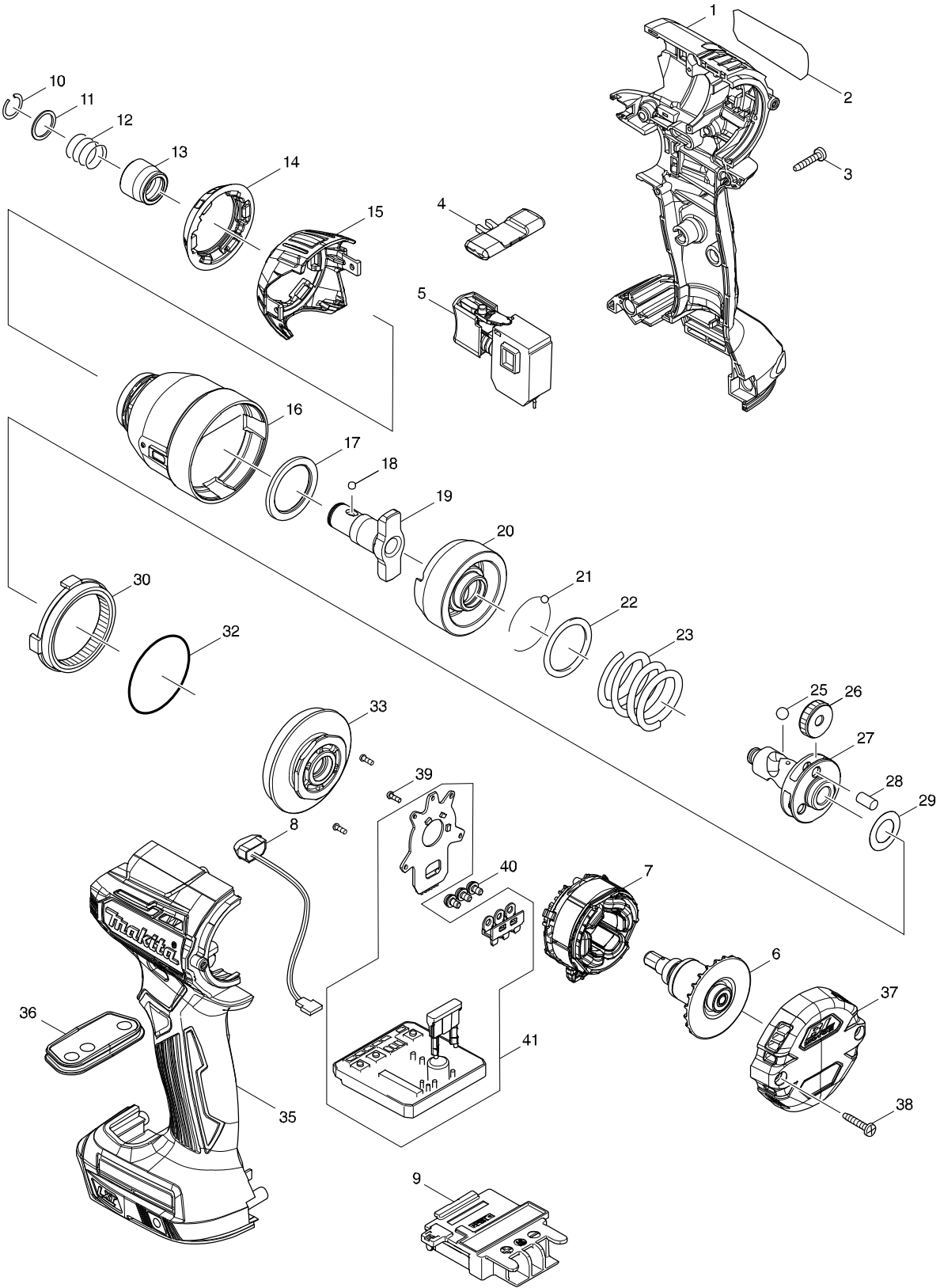


Model No. DTD170 CORDLESS IMPACT DRIVER



Model : DTD170 CORDLESS IMPACT DRIVER

| Item | Sub | Parts No. | Parts Description | Qty |
|------|-----|-----------|----------------------------|-----|
| 1 | | 183E39-9 | HOUSING SET | 1 |
| 1 | C10 | 263005-3 | RUBBER PIN 6 INC. 35 | 2 |
| 2 | | 852N52-9 | DTD170 NAME PLATE | 1 |
| 3 | | 266130-9 | TAPPING SCREW BIND PT 3X16 | 8 |
| 4 | | 455053-8 | F/R CHANGE LEVER | 1 |
| 5 | | 650772-3 | SWITCH | 1 |
| 6 | | 619419-8 | ROTOR | 1 |
| 7 | | 629217-2 | STATOR | 1 |
| 8 | | 620521-2 | LED CIRCUIT | 1 |
| 9 | | 643860-3 | TERMINAL | 1 |
| 10 | | 231951-8 | RING SPRING 11 | 1 |
| 11 | | 267085-1 | FLAT WASHER 12 | 1 |
| 12 | | 233005-7 | COMPRESSION SPRING 13 | 1 |
| 13 | | 326072-0 | BIT SLEEVE | 1 |
| 14 | | 424828-6 | BUMPER | 1 |
| 15 | | 456710-1 | HAMMER CASE COVER | 1 |
| 16 | | 143718-1 | HAMMER CASE COMPLETE | 1 |
| 17 | | 261155-8 | NYLON WASHER 24 | 1 |
| 18 | | 216001-0 | STEEL BALL 3.5 | 2 |
| 19 | | 326507-1 | ANVIL N | 1 |
| 20 | | 326711-2 | HAMMER | 1 |
| 21 | | 216001-0 | STEEL BALL 3.5 | 24 |
| 22 | | 267175-0 | FLAT WASHER 24 | 1 |
| 23 | | 234331-7 | COMPRESSION SPRING 24 | 1 |
| 25 | | 216011-7 | STEEL BALL 5.6 | 2 |
| 26 | | 227338-0 | SPUR GEAR 22 | 3 |
| 27 | | 326710-4 | SPINDLE | 1 |
| 28 | | 268311-1 | PIN 5 | 3 |
| 29 | | 253314-8 | THIN WASHER 15 | 1 |
| 30 | | 227351-8 | INTERNAL GEAR 51 | 1 |
| 32 | | 213507-9 | O RING 40 | 1 |
| 33 | | 143719-9 | BEARING BOX COMPLETE | 1 |
| 35 | | 183E39-9 | HOUSING SET | 1 |
| 35 | C10 | 263005-3 | RUBBER PIN 6 INC. 1 | 2 |
| 36 | | 143721-2 | SWITCH PLATE COMPLETE | 1 |
| 37 | | 456711-9 | REAR COVER | 1 |
| 38 | | 266130-9 | TAPPING SCREW BIND PT 3X16 | 2 |
| 39 | | 266490-9 | TAPPING SCREW PT 2X6 | 3 |
| 40 | | 652069-6 | FLAT HEAD SCREW M3X6 | 3 |
| 41 | | 620520-4 | CONTROLLER | 1 |