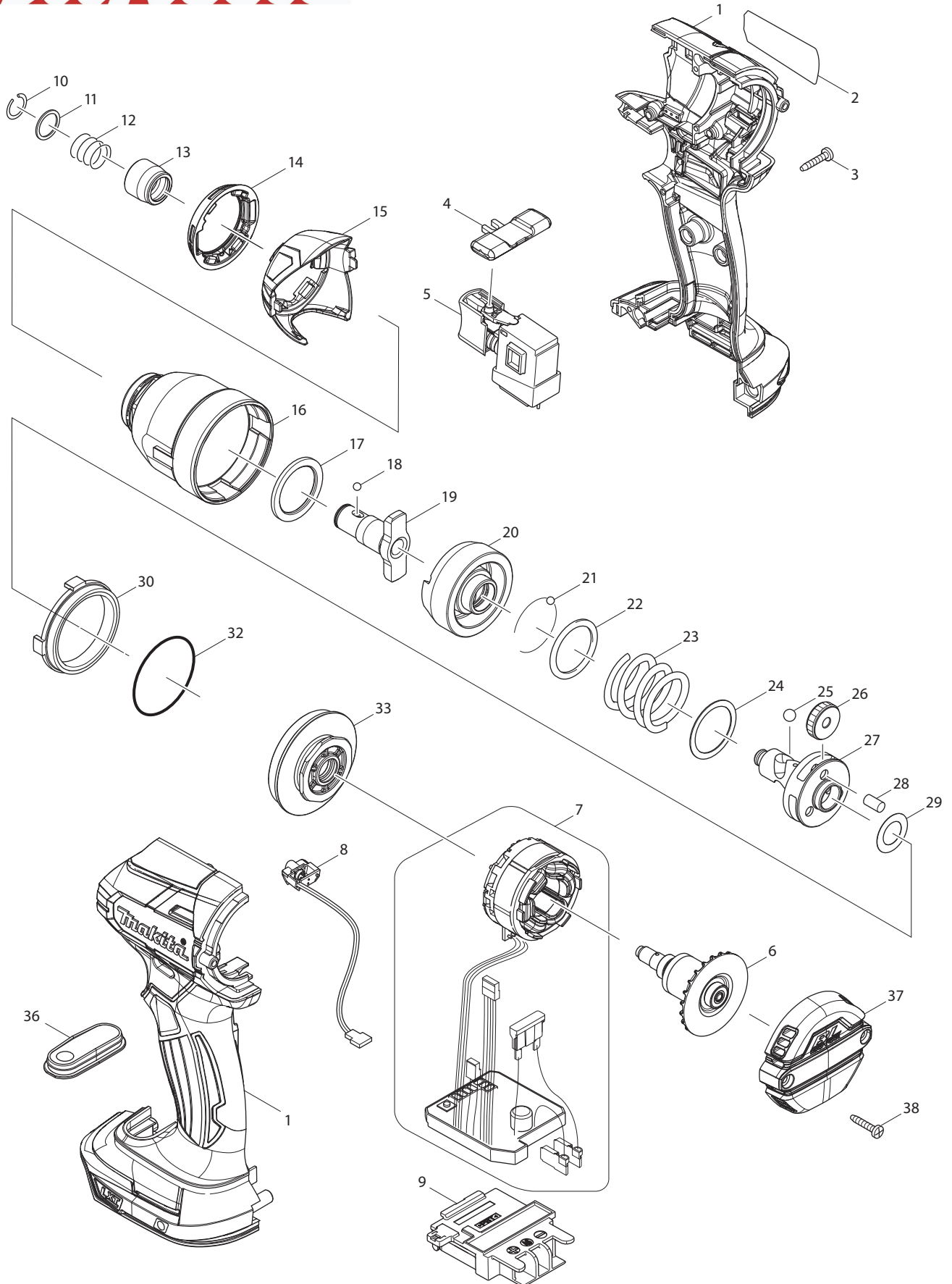




01 - 2015  
DTD148RME / DTD148Z  
18V BL 1/4" IMPACT DRIVER



Item No.	Type	Sub	Part No.	Description	Qty	Unit
1			187973-5	HOUSING SET	1	PC.
		INC.	263005-3	RUBBER PIN 6	2	PC.
2			850D20-6	NAME PLATE F/ DTD148	1	PC.
3			266130-9	TAPPING SCREW BIND PT 3X16	8	PC.
4			455053-8	F/R CHANGE LEVER	1	PC.
5			141448-8	SWITCH COMPLETE	1	PC.
6			619343-5	ROTOR	1	PC.
7			632D61-2	STATOR UNIT	1	PC.
8			620294-7	LED CIRCUIT	1	PC.
9			643860-3	TERMINAL	1	PC.
10			231951-8	RING SPRING 11	1	PC.
11			267085-1	FLAT WASHER 12	1	PC.
12			233005-7	COMPRESSION SPRING 13	1	PC.
13			326068-1	BIT SLEEVE	1	PC.
14			424627-6	BUMPER	1	PC.
15			455051-2	HAMMER CASE COVER	1	PC.
16			142516-0	HAMMER CASE COMPLETE	1	PC.
17			261155-8	NYLON WASHER 24	1	PC.
18			216001-0	STEEL BALL 3.5	2	PC.
19		2	326506-3	ANVIL M (OLD# 326429-5 N/A)	1	PC.
20			326412-2	HAMMER	1	PC.
21			216001-0	STEEL BALL 3.5	24	PC.
22			267175-0	FLAT WASHER 24	1	PC.
23			234331-7	COMPRESSION SPRING 24	1	PC.
24			253090-4	FLAT WASHER 24	1	PC.
25			216011-7	STEEL BALL 5.6	2	PC.
26			227338-0	SPUR GEAR 22	3	PC.
27			326411-4	SPINDLE	1	PC.
28			268311-1	PIN 5	3	PC.
29			253314-8	THIN WASHER 15	1	PC.
30			227351-8	INTERNAL GEAR 51	1	PC.
32			213507-9	O RING 40	1	PC.
33			142517-8	BEARING BOX COMPLETE	1	PC.
36			141583-2	SWITCH PLATE COMPLETE	1	PC.
37			455052-0	REAR COVER	1	PC.
38			266130-9	TAPPING SCREW BIND PT 3X16	2	PC.
100			266622-8	+ TRUSS HEAD SCREW M4X12 F/HOOK	1	PC.
E01			804W41-4	CAUTION LABEL	1	PC.
C01			876706-0	CARTON	1	PC.
C01A			876710-9	CARTON	1	PC.

### **ACCESSORIES**

- See Catalogue or visit [www.makita.ca](http://www.makita.ca) for more accessories -

A01			----	<a href="#">LI-ION BATTERY ACCESSORIES</a>		
A03			----	<a href="#">18V LI-ION BATTERY</a>	1	PC.
A04			----	<a href="#">BATTERY CHARGER</a>	1	PC.
A05			821532-2	PLASTIC CARRYING CASE	1	PC.
A06			122758-2	STOPPER ASS'Y	1	PC.
A07			166070-0	SHOULDER BELT	1	PC.
A08		1	<a href="#">195927-8</a>	TOOL CATCHER SET	1	PC.
		2	197043-2	TOOL CATCHER SET	1	PC.
A09			----	<a href="#">DRIVERS BITS</a>		
A10			763418-3	CHUCK KEY S10	1	PC.
A11			784643-3	CONNECT BIT 6.35-44	1	PC.
A12			191881-4	3/8" DRILL CHUCK ATTACHMENT SET	1	PC.
		INC.		Item No. A10 - A11	1	PC.
A13			194250-8	3/8" KEYLESS CHUCK ATTACHMENT -PKG	1	PC.
		INC.		Item No. A11	1	PC.
A14			763198-1	3/8" KEYLESS CHUCK ATTACHMENT -BULK	1	PC.
		INC.		Item No. A11	1	PC.
A15			192077-0	3/8" KEYLESS CHUCK ATTACHMENT -PKG	1	PC.