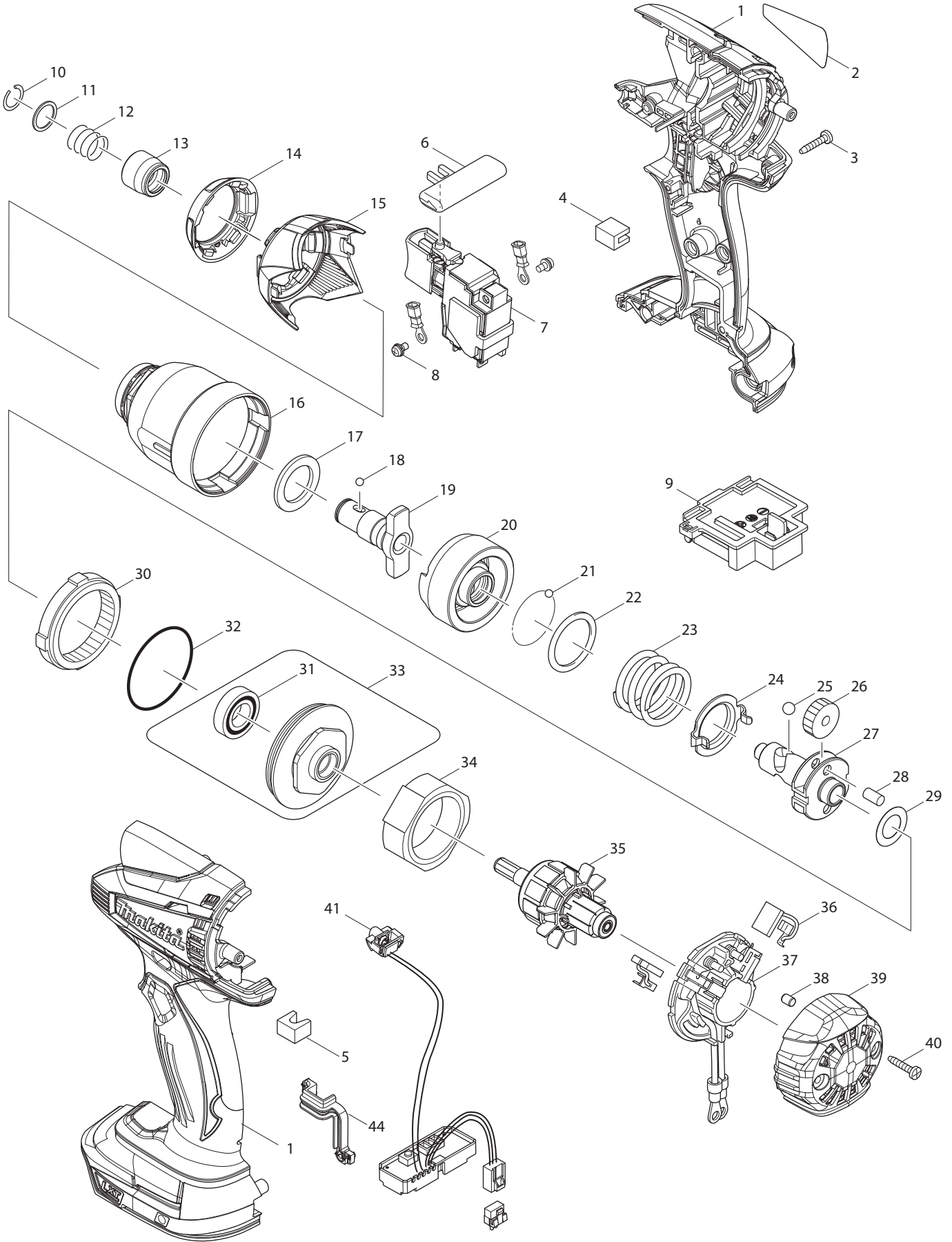




11 - 2013  
**DTD146F, DTD146RFE, DTD146SYE, DTD146Z**  
**18V IMPACT DRIVER**



Item No	Type	Ref	Part No	Description	Qty	Unit
1			187117-7	HOUSING SET, BLUE	1	SET
		INC.	263005-3	RUBBER PIN 6	2	PC.
2			815D17-2	NAME PLATE F/ DTD146	1	PC.
3			266429-2	TAPPING SCREW 3X16	8	PC.
4			423423-9	SPONGE B	1	PC.
5			423422-1	SPONGE A	1	PC.
6			419041-9	F/R CHANGE LEVER	1	PC.
7			650723-6	SWITCH TG573FSB-2	1	PC.
8			652045-0	(+) PAN HEAD SCREW M3.5X5	2	PC.
9			643852-2	TERMINAL	1	PC.
10			231951-8	RING SPRING 11	1	PC.
11			267085-1	FLAT WASHER 12	1	PC.
12			233005-7	COMPRESSION SPRING 13	1	PC.
13			326068-1	BIT SLEEVE	1	PC.
14			424429-0	BUMPER	1	PC.
15			452837-5	HAMMER CASE COVER	1	PC.
16			140946-9	HAMMER CASE COMPLETE	1	PC.
17			261151-6	NYLON WASHER 19	1	PC.
18	1		216001-0	STEEL BALL 3.5	2	PC.
	2		216040-0	STEEL BALL 3.5	2	PC.
19			326069-9	ANVIL M	1	PC.
20			326054-2	HAMMER	1	PC.
21	1		216001-0	STEEL BALL 3.5	24	PC.
	2		216040-0	STEEL BALL 3.5	24	PC.
22			267175-0	FLAT WASHER 24	1	PC.
23			233430-2	COMPRESSION SPRING 24	1	PC.
24			346466-3	PLATE	1	PC.
25	1		216011-7	STEEL BALL 5.6	2	PC.
	2		216041-8	STEEL BALL 5.6	2	PC.
26	1		227233-4	* SPUR GEAR 22 (Material: SCM415)	2	PC.
	2		227362-3	* SPUR GEAR 22 (Material: SCM435)	2	PC.
27			326066-5	SPINDLE	1	PC.
28			256253-1	PIN 5	2	PC.
29			253362-7	THIN WASHER 12	1	PC.
30			227150-8	INTERNAL GEAR 51	1	PC.
31			211140-1	BALL BEARING 6901LLB	1	PC.
32			213507-9	O RING 40	1	PC.
33			158145-9	BEARING BOX COMPLETE	1	PC.
		INC.		Item No. 31		
34			638396-5	YOKE UNIT	1	PC.
35	1		619247-1	* ARMATURE	1	PC.
	2		619372-8	* ARMATURE	1	PC.
36			195021-6	CARBON BRUSH CB-440 2PC/SET, W/ ORIGIN	1	SET
37			638387-6	BRUSH HOLDER COMPLETE	1	PC.
38			263032-0	RUBBER PIN 4	2	PC.
39			452832-5	REAR COVER, BLUE	1	PC.
40			266429-2	TAPPING SCREW 3X16	2	PC.
41			620053-9	LED CIRCUIT	1	PC.
44			424430-5	SEAL	1	PC.
100			266622-8	(+) TRUSS HEAD SCREW M4X12(F/ Hook)	1	PC.
101			251314-2	(+) SCREW M4X12 (F/Item No. Battery Protector )	1	PC.
E01			802S38-3	CAUTION LABEL	1	PC.

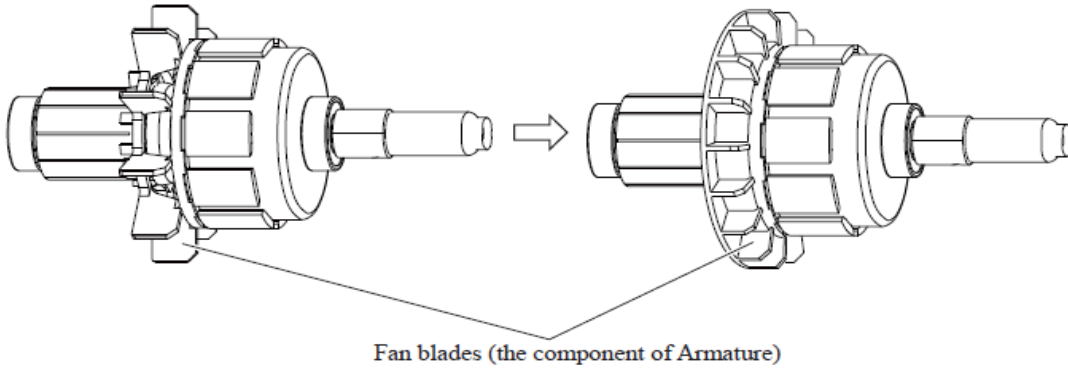
Item No	Type	Ref	Part No	Description	Qty	Unit
<b><u>ACCESSORIES</u></b>			<b>- See Catalogue or visit <a href="http://www.makita.ca">www.makita.ca</a> for more accessories -</b>			
A02			-----	<a href="#">LI-ION BATTERY ACCESSORIES</a>		
A03			-----	<a href="#">BATTERY CHARGER</a>		
A04			-----	<a href="#">18V LI-ION BATTERY</a>		
A05			763067-6	3/8" DRILL CHUCK	1	PC.
A06			<a href="#">194633-2</a>	ADJUSTABLE DEPTH GAUGE SET	1	PC.
A08			824812-5	PLASTIC CARRYING CASE	1	PC.
A11			763415-9	CHUCK KEY (F/DRILL CHUCK #763067-6)	1	PC.
A12			784643-3	CONNECT BIT 6.35-44 (F/DRILL CHUCK)	1	PC.
A13	1		<a href="#">195927-8</a>	TOOL CATCHER SET	1	PC.
	2		197043-2	TOOL CATCHER SET	1	PC.
A14			192077-0	3/8" KYLS DRILL CHUCK ATTCHMENT	1	PC.
			194250-8	3/8" KYLS DRILL CHUCK ATTCHMENT	1	PC.
			191881-4	3/8" DRILL CHUCK ATTCHMENT	1	PC.

**SERVICE CHANGES**

**1. Changes on Armature**

(TI#A6593)

Item No.	Description	Type 1	Type 2
35	Armature	619247-1	619372-8



**2. Changes on Spur Gear**

(TI#A9581)

Item No.	Description	Type 1	Type 2
26	SPUR GEAR 22 (Material: SCM415)>(Material: SCM435)	227233-4	227362-3

