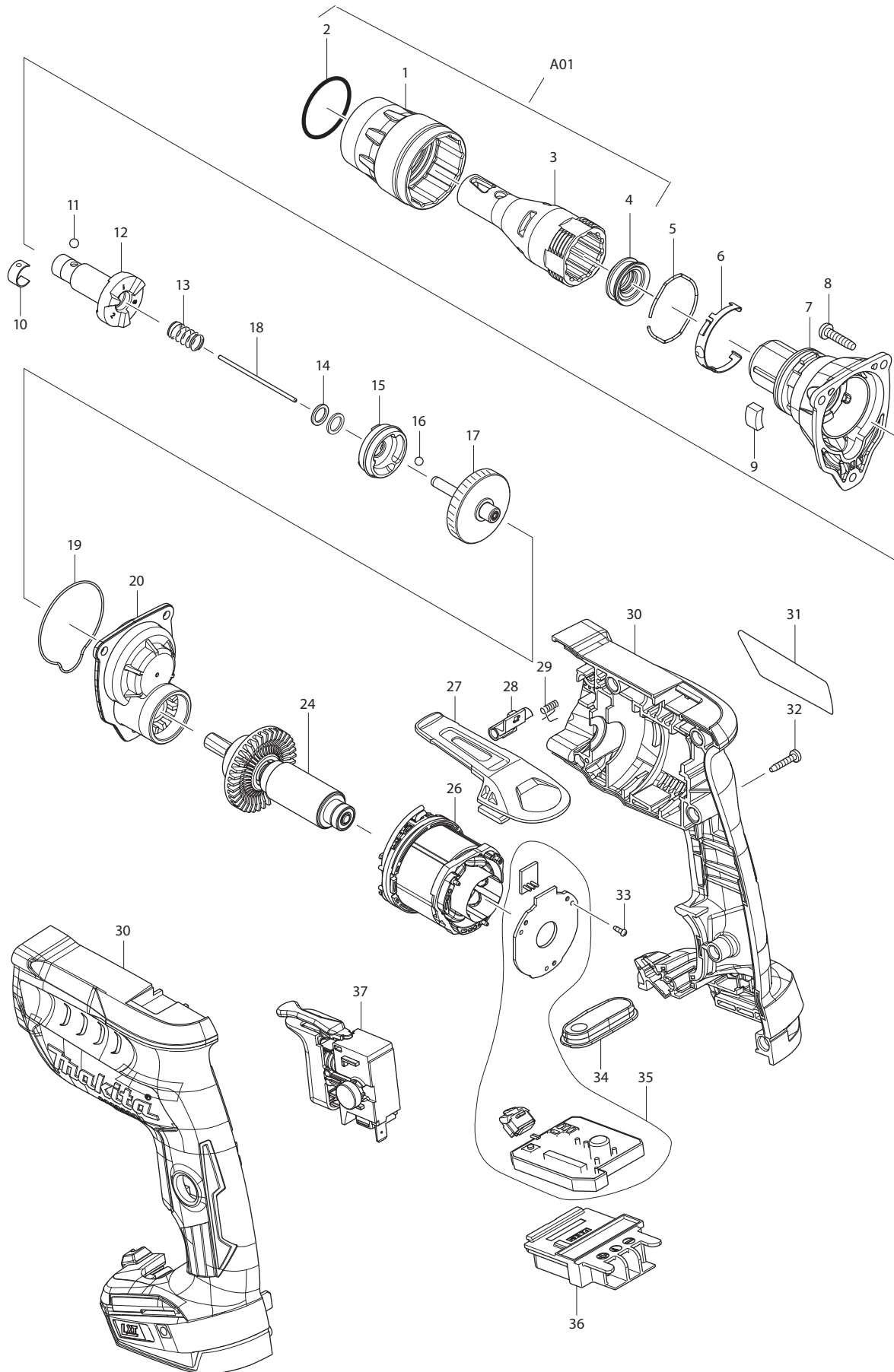




10 - 2014

DFS452Z

# 18V BRUSHLESS DRYWALL SCREWDRIVER



Item No.	Part No.	Description	Qty	Unit
1	455591-0	LOCK RING	1	PC.
2	424235-3	SEAL RING 30	1	PC.
3	158876-0	LOCATOR L COMPLETE	1	PC.
4	424665-8	DUST SEAL SLEEVE	1	PC.
5	234348-0	RING SPRING 30	1	PC.
6	232245-4	LEAF SPRING	1	PC.
7	142902-5	GEAR HOUSING COMPLETE	1	PC.
	INC. 213796-6	OIL SEAL 11	1	PC.
8	265995-6	TAPPING SCREW 4X18	3	PC.
9	423413-2	RUBBER PLATE	1	PC.
10	232050-9	LEAF SPRING	1	PC.
11	216001-0	STEEL BALL 3.5	1	PC.
12	142903-3	SPINDLE 125S COMPLETE	1	PC.
13	234121-8	COMPRESSEION SPRING 8	1	PC.
14	267202-3	FLAT WASHER 8	2	PC.
15	223181-5	CLUTCH CAM 125S	1	PC.
16	216008-6	STEEL BALL 4	3	PC.
17	142904-1	GEAR COMPLETE	1	PC.
	INC. 424663-2	SEAL	1	PC.
18	268325-0	ROD 2	1	PC.
19	424664-0	SEAL RING	1	PC.
20	142909-1	GEAR HOUSING COVER COMPLETE	1	PC.
24	519355-7	ROTOR ASS'Y	1	PC.
26	629135-4	STATOR	1	PC.
27	162272-6	HOOK	1	PC.
28	142908-3	LEVER COMPLETE	1	PC.
29	233619-2	TORSION SPRING 3	1	PC.
30	187993-9	HOUSING SET	1	SET
	INC. 263005-3	RUBBER PIN 6	2	PC.
31	850H34-9	NAME PLATE F/DFS452	1	PC.
32	266130-9	TAPPING SCREW BIND PT 3X16	7	PC.
33	266490-9	TAPPING SCREW PT 2X6	3	PC.
34	142905-9	SWITCH PLATE COMPLETE	1	PC.
35	620349-8	CONTROLLER	1	PC.
36	643860-3	TERMINAL	1	PC.
37	650733-3	SWITCH C3JW-4B-2L	1	PC.
39	850H36-5	SERIAL NO. LABEL F/DFS452	1	PC.
100	266622-8	+ TRUSS HEAD SCREW M4X12 (F/HOOK)	1	PC.
C01	876854-5	CARTON	1	PC.
C01A	876858-7	CARTON	1	PC.
D01	654562-6	INSULATED CONNECTOR 35115	3	PC.

**ACCESSORIES**

**- See Catalogue or visit [www.makita.ca](http://www.makita.ca) for more optional accessories -**

A01	INC.	197024-6	LOCATOR L SET Item No. 1-4	1	PC.
A02		346449-3	HOOK	1	PC.
A03		784211-2	PHILLIPS INSERT BIT P-2 (2-25)	2	PC.
A04		784801-1	MAGNETIC BIT HOLDER 6.35-76	1	PC.
A05		784212-0	PHILLIPS INSERT BIT 1-25	1	PC.
A06		784213-8	PHILLIPS INSERT BIT 3-25	1	PC.
A07		784807-9	MAGNETIC BIT HOLDER 6.35-60	1	PC.
A08	1	196648-5	INTERLOCKING TOOL CASE M	1	PC.
	INC.	453974-8	LOCKING LATCH	2	PC.
	2	197211-7	INTERLOCKING TOOL CASE M	1	PC.
	INC.	453974-8	LOCKING LATCH	2	PC.

<b>Item No.</b>	<b>Part No.</b>	<b>Description</b>	<b>Qty</b>	<b>Unit</b>
A09	T-02571	INTERLOCKING TOOL CASE INSERT FORM	1	PC.
A10	---	<a href="#">18V LI-ION BATTERY</a>		
A11	---	<a href="#">BATTERY CHARGER</a>		
A12	---	<a href="#">LI-ION BATTERY ACCESSORIES</a>		