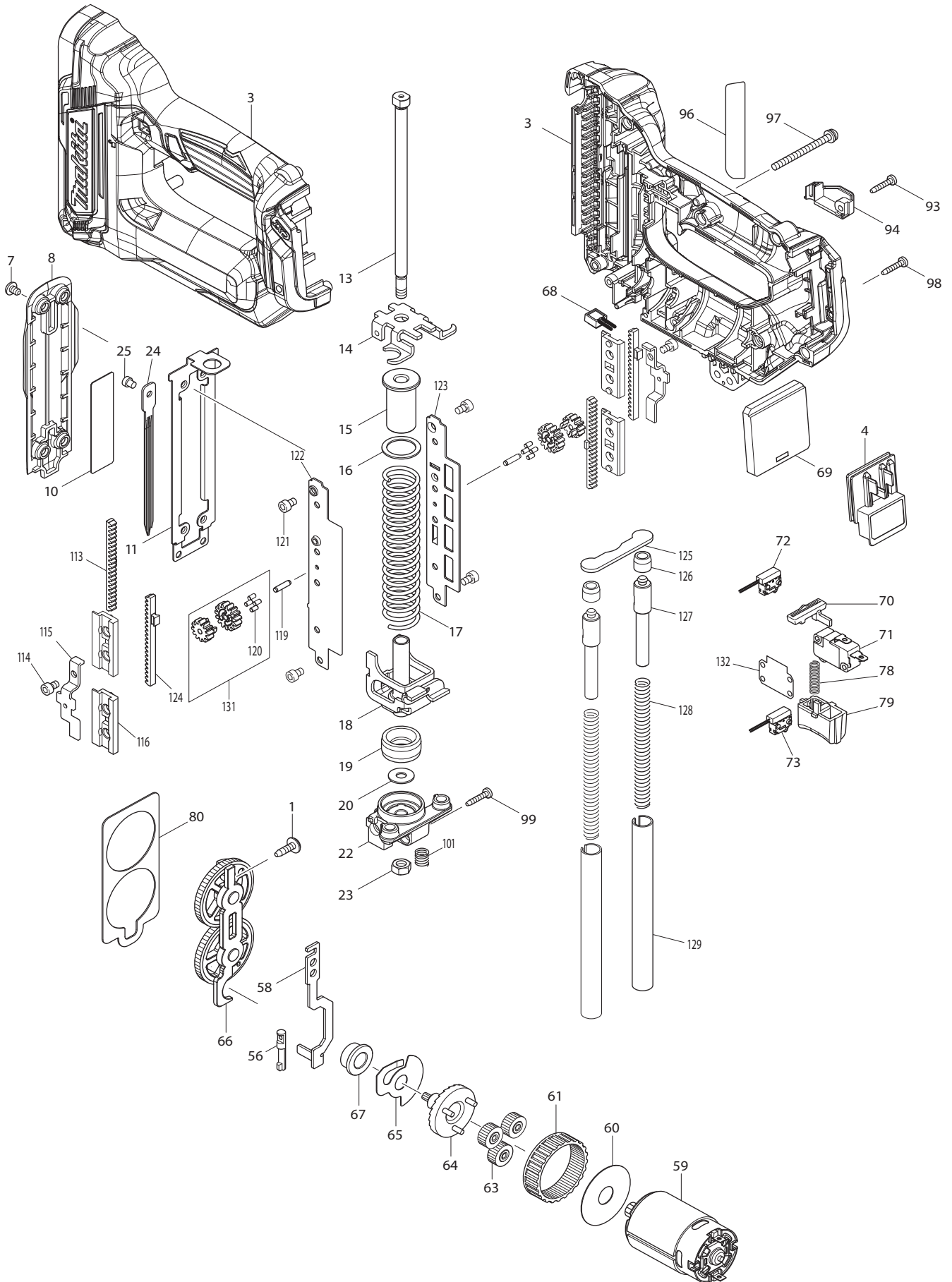
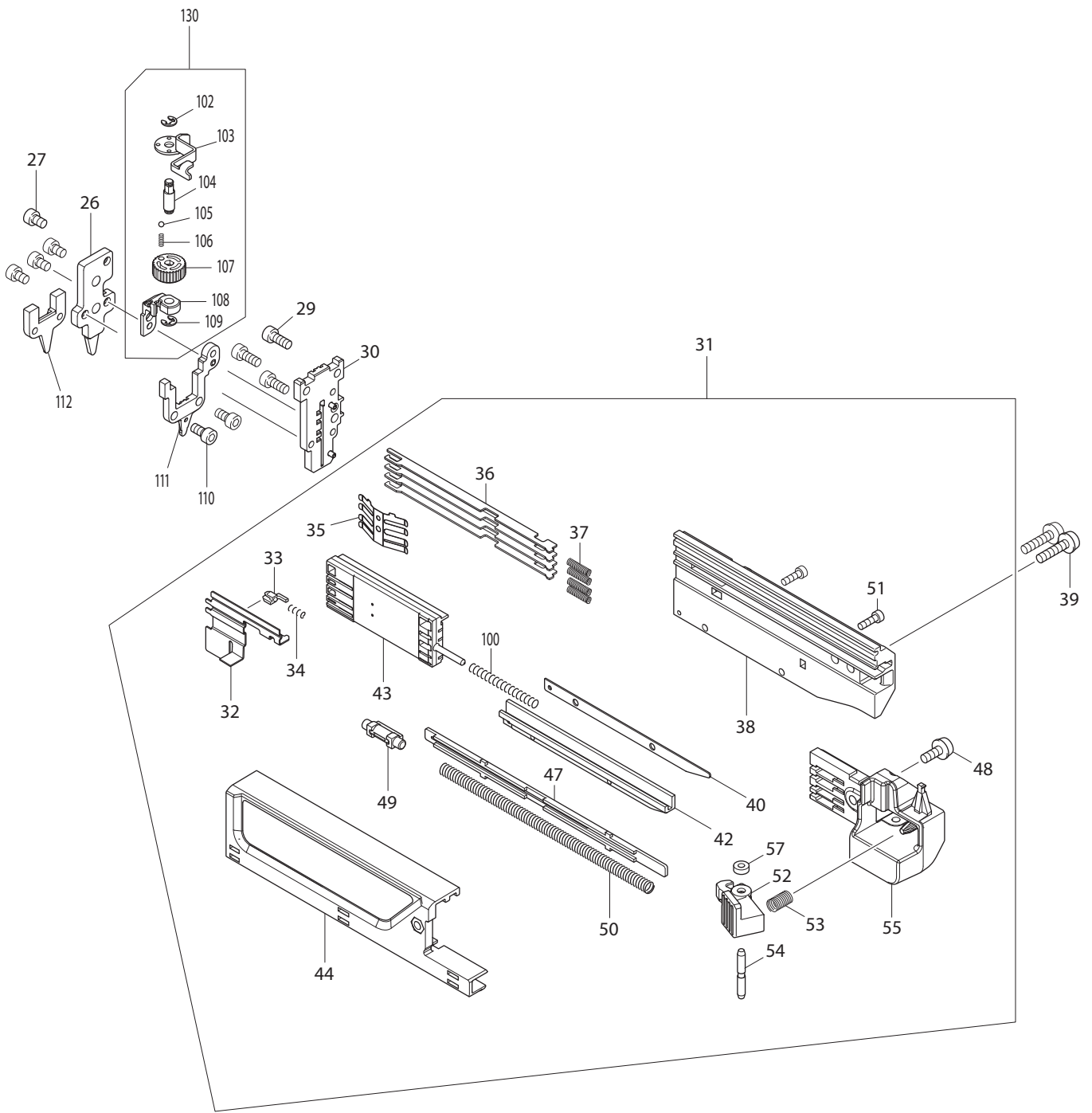




03 - 2017  
PT354DZ  
12V Max CXT Pin Nailer 23Ga.





Item N	Type	Part No	Description	Qty	Unit
1		266901-4	TAPPING SCREW M4X14	1	PC.
3		183G24-4	HOUSING SET	1	SET
	INC.	263002-9	RUBBER PIN 4	2	PC.
	INC.	252126-6	HEX LOCKING NUT M4-7	2	PC.
	INC.	931102-0	HEX NUT M4	1	PC.
4		644813-5	TERMINAL	1	PC.
7		915101-0	BINDING HEAD SCREW M4X6	4	PC.
8		457384-1	FRONT COVER	1	PC.
10		345704-0	UPPER PLATE	1	PC.
11		347140-6	RAIL	1	PC.
13		326903-3	GUIDE BOLT	1	PC.
14		347143-0	BOTTOM PLATE	1	PC.
15		457389-1	SPRING HOLDER	1	PC.
16		347148-0	SPRING BASE	1	PC.
17		232364-6	COMPRESSION SPRING 17	1	PC.
18		347141-4	HAMMER	1	PC.
19		424952-5	CUSHION	1	PC.
20		253804-1	FLAT WASHER 6	1	PC.
22		319537-9	HOLDER	1	PC.
23		931302-2	HEX NUT M6	1	PC.
24		345702-4	DRIVER	1	PC.
25		268157-5	PIN 4	1	PC.
26		144291-4	DRIVER GUIDE COVER COMPLETE	1	PC.
27		922102-1	HEX SOCKET HEAD BOLT M4X6	4	PC.
29		922112-8	HEX SOCKET HEAD BOLT M4X10	3	PC.
30		144330-0	DRIVER GUIDE COMPLETE	1	PC.
31		135895-3	MAGAZINE ASSY	1	PC.
	INC.		Item No. 32-38,40,42-44,47-55,57, 100		
32		347138-3	PUSHER	1	PC.
33		310176-8	STOPPER	1	PC.
34		233018-8	COMPRESSION SPRING 3	1	PC.
35		232362-0	LEAF SPRING	1	PC.
36		346239-4	NAIL STOPPER	4	PC.
37		232367-0	COMPRESSION SPRING 3	4	PC.
38		458195-7	MAGAZINE	1	PC.
39		911133-5	PAN HEAD SCREW M4X18	2	PC.
40		347137-5	SPACER	1	PC.
42		144335-0	LOWER RAIL COMPLETE	1	PC.
43		457382-5	NAIL GUIDE HOLDER	1	PC.
44		144388-9	UPPER RAIL COMPLETE	1	PC.
	INC.	931102-0	HEX NUT M4	1	PC.
	INC.	812C62-2	CAUTION LABEL	1	PC.
47		457387-5	SPRING COVER	1	PC.
48		911113-1	PAN HEAD SCREW M4X10 W/WR	1	PC.
49		457383-3	SHOULDER PIN 5-6	1	PC.
50		232366-2	COMPRESSION SPRING 5	1	PC.
51		266177-3	HEX SOCKET HEAD BOLT M3X10	2	PC.
52		457388-3	LEVER	1	PC.
53		233117-6	COMPRESSION SPRING 6	1	PC.
54		256793-9	PIN 3	1	PC.
55		457381-7	SLIDE DOOR CAP	1	PC.
56		268158-3	PIN 5	1	PC.
57		262054-7	URETHANE RING 3	1	PC.
58		347139-1	LOCK ARM	1	PC.
59		629268-5	DC MOTOR	1	PC.
60		267053-4	FLAT WASHER 12	1	PC.
61		227166-3	INTERNAL GEAR 69	1	PC.

Item N Type	Part No	Description	Qty	Unit
63	221961-3	SPUR GEAR 27	3	PC.
64	154973-0	SPUR GEAR 7 COMPLETE	1	PC.
65	345773-1	ANTI BACK PLATE	1	PC.
66	144290-6	SPUR GEAR 55 COMPLETE	1	PC.
67	214060-8	PLANE BEARING 10	1	PC.
68	620507-6	LED CIRCUIT	1	PC.
69	632J92-7	CONTROLLER UNIT	1	PC.
	INC. 654069-2	RECEPTACLE	2	PC.
70	456799-9	TRIGGER LOCK	1	PC.
71	632J09-0	SWITCH UNIT	1	PC.
72	632G60-2	SWITCH UNIT	1	PC.
73	632K06-2	SWITCH UNIT	1	PC.
78	232370-1	COMPRESSION SPRING 5	1	PC.
79	457386-7	TRIGGER	1	PC.
80	347142-2	GEAR PLATE	1	PC.
93	266130-9	TAPPING SCREW BIND P-TYPE M3X16	1	PC.
94	457385-9	HOUSING R COVER	1	PC.
96	853C64-9	NAME PLATE F/PT354D	1	PC.
97	911173-3	PAN HEAD SCREW M4X45	1	PC.
98	266130-9	TAPPING SCREW BIND P-TYPE M3X16	8	PC.
99	266130-9	TAPPING SCREW BIND P-TYPE M3X16	1	PC.
100	233459-8	COMPRESSION SPRING 3	1	PC.
101	232365-4	COMPRESSION SPRING 7	1	PC.
102	961017-7	STOP RING E-3	1	PC.
103	347136-7	CONTACT ARM	1	PC.
104	326905-9	ADJUSTER SHAFT	1	PC.
105	216031-1	STEEL BALL 2.3	1	PC.
106	234254-9	COMPRESSION SPRING 2	1	PC.
107	457378-6	ADJUSTER	1	PC.
108	310778-0	ARM	1	PC.
109	961017-7	STOP RING E-3	1	PC.
110	922107-1	HEX SOCKET HEAD BOLT M4X8	2	PC.
111	144329-5	CENTER PLATE COMPLETE	1	PC.
112	310777-2	CONTACT TOP COVER	1	PC.
113	310780-3	COUNTER WEIGHT A	2	PC.
114	251566-5	HSH BOLT M4X6 W/WR	2	PC.
115	347146-4	PINION GUIDE	2	PC.
116	457390-6	COUNTER WEIGHT HOLDER	4	PC.
119	326902-5	PINION SHAFT	2	PC.
120	424953-3	DUMPER RUBBER	8	PC.
121	922102-1	HEX SOCKET HEAD BOLT M4X6	4	PC.
122	347145-6	GUIDE RAIL R	1	PC.
123	347144-8	GUIDE RAIL L	1	PC.
124	310781-1	COUNTER WEIGHT B	2	PC.
125	347147-2	COUNTER STOPPER	1	PC.
126	424954-1	COUNTER CUSHION	2	PC.
127	326904-1	WEIGHT	2	PC.
128	232363-8	COMPRESSION SPRING 7	2	PC.
129	326901-7	GUIDE PIPE	2	PC.
130	135857-1	CONTACT ARM ASSY	1	PC.
	INC.	Item No. 102-109		
131	135855-5	SPUR GEAR ASSEMBLY	2	PC.
	INC.	Item No. 120		
132	457809-5	SWITCH GUARD	1	PC.
200	251314-2	+TH SCREW M4X12 F/HOOK	1	PC.

Item N Type	Part No	Description	Qty	Unit
<b>ACCESSORIES</b>	<b>- See Catalogue or visit <a href="http://www.makita.ca">www.makita.ca</a> for more accessories -</b>			
A01	195246-2	SAFETY GOGGLES	1	PC.
A03	346909-5	HOOK F/12V LI-ION SLIDE BATTERY	1	PC.
A04	424955-9	NOSE ADAPTER	2	PC.
A05	783201-2	HEX WRENCH 3	1	PC.
A06	DC10SB	RAPID CHARGER DC10SB	1	PC.
A07	-----	12V MAX LI-ION BATTERY, SLIDE TYPE		
A08	-----	LI-ION BATTERY ACCESSORIES		
A09	-----	INTERLOCKING TOOL CASES		
A10	422240-4	NOSE ADAPTER	1	PC.