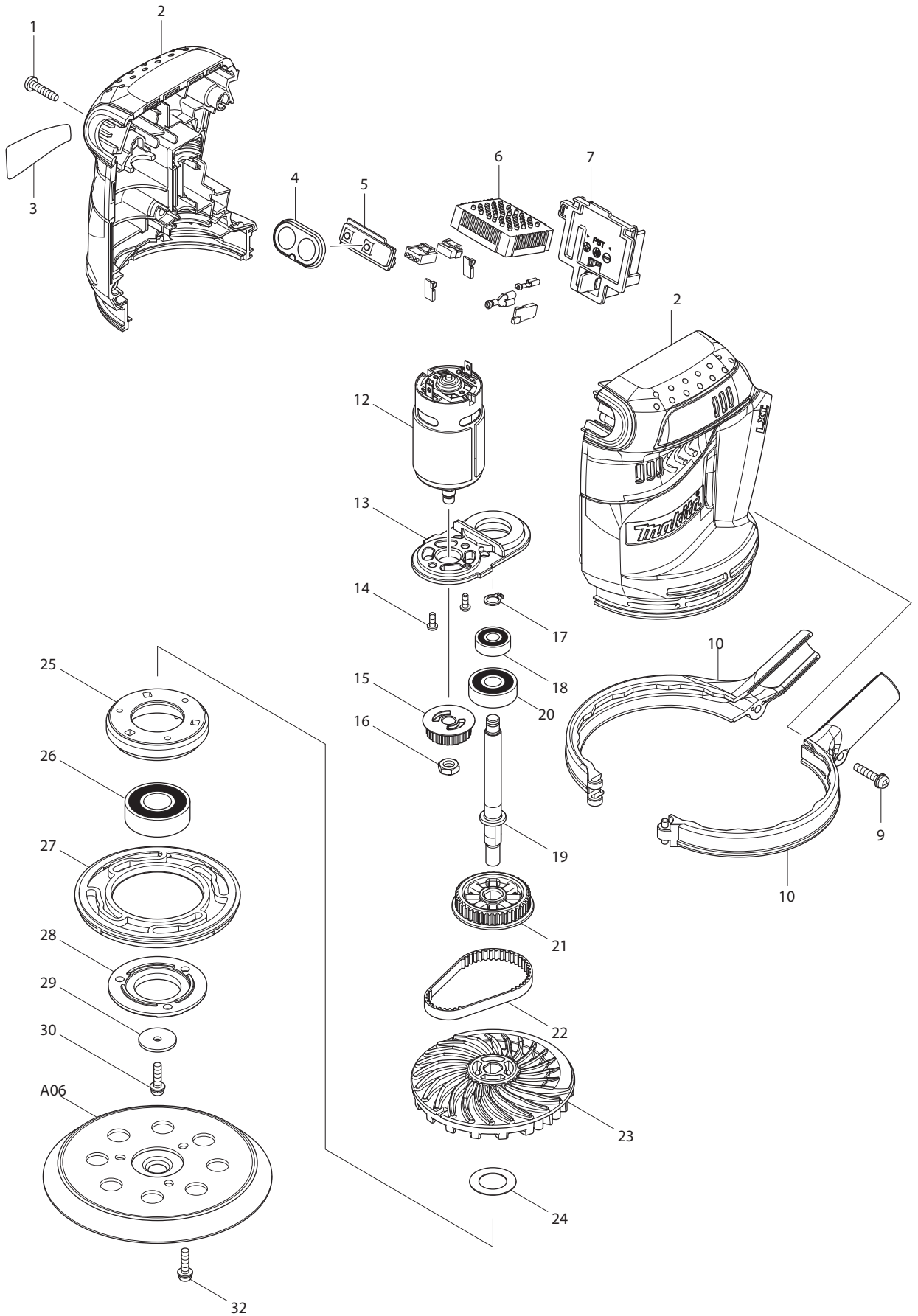




03 - 2014
DBO180Z
18V 5" RANDOM SANDER



Item No	Type	Part No	Description	Qty	Unit
1		265995-6	TAPPING SCREW 4X18	5	PC.
2		187822-6	HOUSING SET	1	SET
2	INC.	263005-3	RUBBER PIN 6	2	PC.
2	INC.	802W97-1	CAUTION LABEL	1	PC.
3		815F52-2	NAME PLATE F/DBO180	1	PC.
4		141419-5	SWITCH PLATE COMPLETE	1	PC.
5		620115-3	SWITCH UNIT	1	PC.
6		638789-6	CONTROLLER UNIT	1	PC.
7		644808-8	TERMINAL	1	PC.
9		911138-5	PAN HEAD SCREW M4X20	1	PC.
10		187360-8	SKIRT SET	1	SET
12		629952-2	DC MOTOR	1	PC.
13		453632-6	MOTOR BRACKET	1	PC.
14		265199-0	+ PAN HEAD SCREW M3X8	2	PC.
15		222175-7	PULLEY 7.5-24.1	1	PC.
16		931303-0	HEX. NUT M6	1	PC.
17		961003-8	RETAINING RING S-7	1	PC.
18		210062-2	BALL BEARING 607ZZ	1	PC.
19		326168-7	SPINDLE	1	PC.
20		211092-6	BALL BEARING 629DDW	1	PC.
21		222176-5	PULLEY 7.5-40.3	1	PC.
22		225095-4	SYNCHRO BELT 6-174	1	PC.
23		240136-5	FAN 88	1	PC.
24		267164-5	FLAT WASHER 15	1	PC.
25		318304-9	BEARING BOX	1	PC.
26		211228-7	BALL BEARING 6202DDW	1	PC.
27		424131-5	BRAKE RING	1	PC.
28		318303-1	BEARING BOX COVER	1	PC.
29		253739-6	FLAT WASHER 4	1	PC.
30		911128-8	PAN HEAD SCREW M4X16	1	PC.
32		911128-8	PAN HEAD SCREW M4X16	3	PC.

ACCESSORIES

- See catalogue or visit www.makita.ca for more accessories -

A01		166078-4	DUST BAG	1	PC.
A02		257202-1	RING 25 (USE BETWEEN Item No. A04 & No.10)	1	PC.
A03		416063-0	DUST BAG NOZZLE	1	PC.
A04		416064-8	DUST NOZZLE	1	PC.
A05		794520-1	5" HOOK & LOOP ABRASIVE DISC GRIT 120 5/PK	1	PC.
A05		-----	5" RANDOM ORBIT SANDER ABRASIVE SANDPAPER		
A06		743081-8	PAD 123, HOOK&LOOP	1	PC.
A06		-----	SANDING ACCESSORIES		
A07		192278-0	HOSE COM 28-1.5	1	PC.
A08		P-80024	JOINT 25	1	PC.
A09		194746-9	PAPER DUST BAG SET	1	PC.
A10		195133-5	FILTER SET	1	PC.
A11		196152-4	FELT PAD SET (Thickness 6mm)	1	PC.
A12		-----	18V LI-ION BATTERY		
A13		-----	BATTERY CHARGER		
A14		-----	LI-ION BATTERY ACCESSORIES		