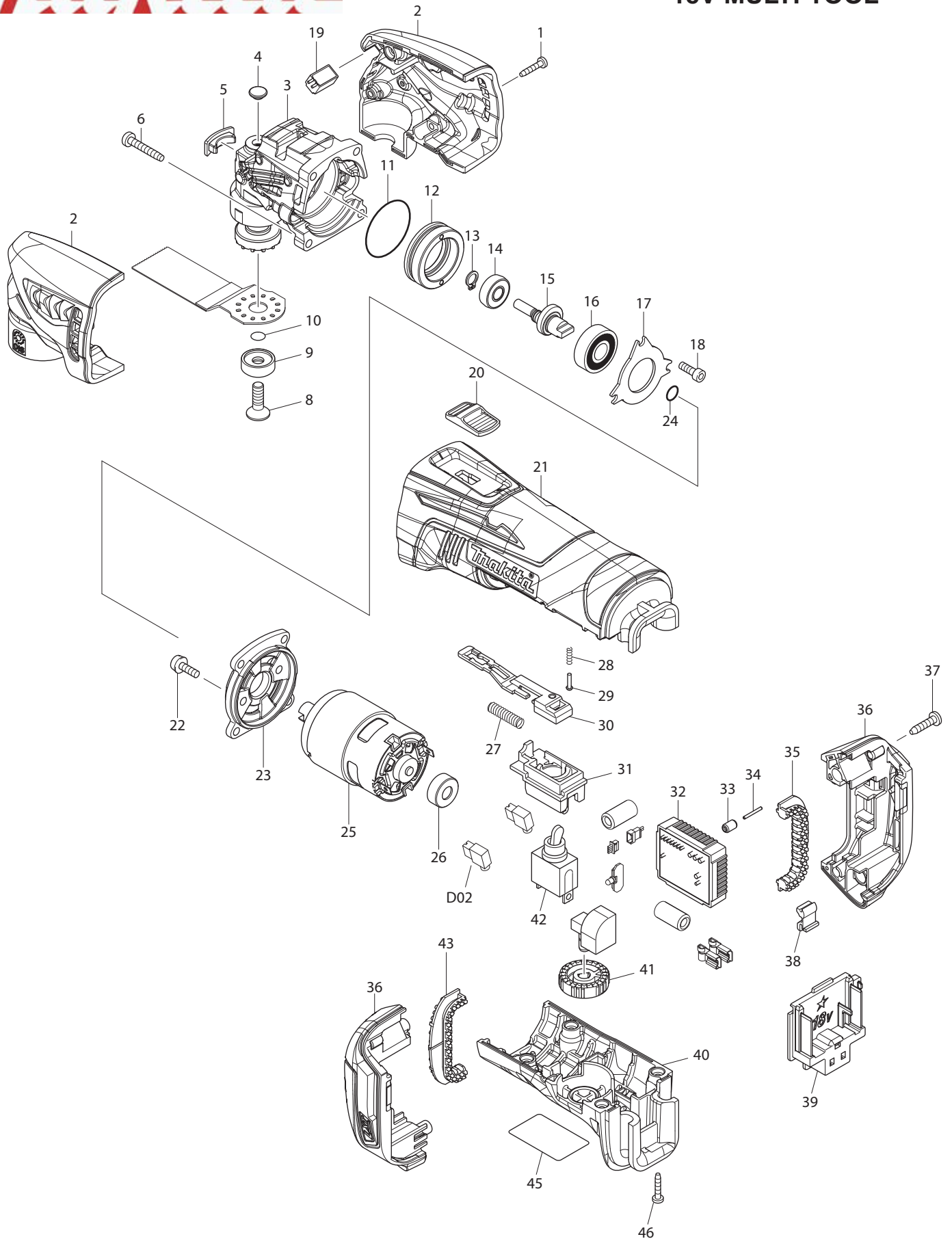




10 - 2014  
DTM50ZKX1  
18V MULTI-TOOL



Item No	Type	Part No	Description	Qty	Unit
1		266429-2	TAPPING SCREW 3X16	4	PC.
2		187346-2	HEAD COVER SET	1	SET
3		142400-9	CRANK HOUSING COMPLETE	1	PC.
4		424511-5	CRANK HOUSING CAP B	1	PC.
5		424510-7	CRANK HOUSING CAP A	1	PC.
6		266374-1	TAPPING SCREW 4X25	4	PC.
8		266783-4	HEX.SOCKET C.S.H.SCREW M6X20	1	PC.
9		224455-7	OUTER FLANGE 22	1	PC.
10		213021-5	O RING 5	1	PC.
11		213479-8	O RING 33	1	PC.
12		326187-3	BEARING BOX	1	PC.
13		961003-8	RETAINING RING S-7	1	PC.
14		211392-4	SPHERE BEARING 706	1	PC.
15		326186-5	CRANK SHAFT	1	PC.
16		210059-1	BALL BEARING 6000DDW	1	PC.
17		285856-4	BEARING RETAINER	1	PC.
18		922117-8	HEX. SOCKET HEAD BOLT M4X12	3	PC.
19		620146-2	LED CIRCUIT	1	PC.
20		453761-5	SWITCH KNOB	1	PC.
21		142651-4	MOTOR HOUSING COMPLETE	1	PC.
	INC.	803R06-3	CAUTION LABEL	1	PC.
22		911516-9	PAN HEAD SCREW M4X12	2	PC.
23		453762-3	HOUSING COVER	1	PC.
24		213030-4	O RING 8	1	PC.
25		629956-4	DC MOTOR	1	PC.
26		424520-4	CAP	1	PC.
27		234263-8	COMPRESSION SPRING 5	1	PC.
28		233002-3	COMPRESSION SPRING 3	1	PC.
29		255058-6	RIVET 2	1	PC.
30		453757-6	SWITCH LEVER	1	PC.
31		453760-7	SWITCH CASE	1	PC.
32		632A03-8	CONTROLLER UNIT	1	PC.
33		263036-2	RUBBER PIN 5	1	PC.
34		268184-2	PIN 1.5	1	PC.
35		424473-7	CUSHION RUBBER	1	PC.
36		187610-1	BATTERY HOUSING SET	1	SET
	INC.	263005-3	RUBBER PIN 6	2	PC.
37		266326-2	TAPPING SCREW 4X18	2	PC.
38		424476-1	CUSHION	1	PC.
39		643852-2	TERMINAL	1	PC.
40		453756-8	HANDLE COVER	1	PC.
41		271617-8	DIAL 28	1	PC.
42		651423-1	SWITCH	1	PC.
43		424473-7	CUSHION RUBBER	1	PC.
45		815M77-8	NAME PLATE F/DTM50	1	PC.
46		266429-2	TAPPING SCREW 3X16	4	PC.
D01		652008-6	PAN HEAD SCREW M3.5X7	2	PC.
D02		632E76-5	FLAG TERMINAL	2	PC.
<b><u>ACCESSORIES</u></b>			<b>- See catalogue or visit <a href="http://www.makita.ca">www.makita.ca</a> for more optional accessories -</b>		
A01		783233-9	HEX. WRENCH 5	1	PC.
A02		141562-0	PLASTIC CASE COMPLETE	1	PC.
	INC.	162302-3	LATCH	2	PC.
	INC.	324319-6	SHAFT	1	PC.
	INC.	451749-9	HANDLE	1	PC.
A03		-----	<a href="#">BATTERY CHARGER</a>		
A04		-----	<a href="#">18V LI-ION BATTERY</a>		
A05		-----	<a href="#">LI-ION BATTERY ACCESSORIES</a>		
A06		196271-6	ADAPTER A SET F/OTHER	1	PC.
A07		313249-6	ADAPTER C F/DREMEL	1	PC.
A08		B-21325	SEGMENT SAW BLADE 85 TMA006	1	PC.
A09		B-21353	PLUNGE CUT SAW BLADE 28 TMA009	1	PC.

Item No	Type	Part No	Description	Qty	Unit
A10		B-21537	SANDING PAD	1	PC.
		-----	<a href="#">MULTI TOOL ACCESSORIES</a>		
		-----	<a href="#">WOOD, METAL &amp; SPECIALTY CUTTING BLADES</a>		
		-----	<a href="#">SCRAPING BLADES</a>		
		-----	<a href="#">RASPING &amp; GRINDING BLADES</a>		
		-----	<a href="#">SANDING PAD</a>		
		-----	<a href="#">STONE ABRASIVE SANDING PAPER</a>		
		-----	<a href="#">PAINT ABRASIVE SANDING PAPER</a>		
		-----	<a href="#">WOOD &amp; METAL ABRASIVE SANDING PAPER</a>		
		-----	<a href="#">POLISHING ACCESSORIES</a>		
A11		821538-0	TOOL BOX	1	PC.
A12		195965-0	DUST ATTACHMENT SET	1	PC.