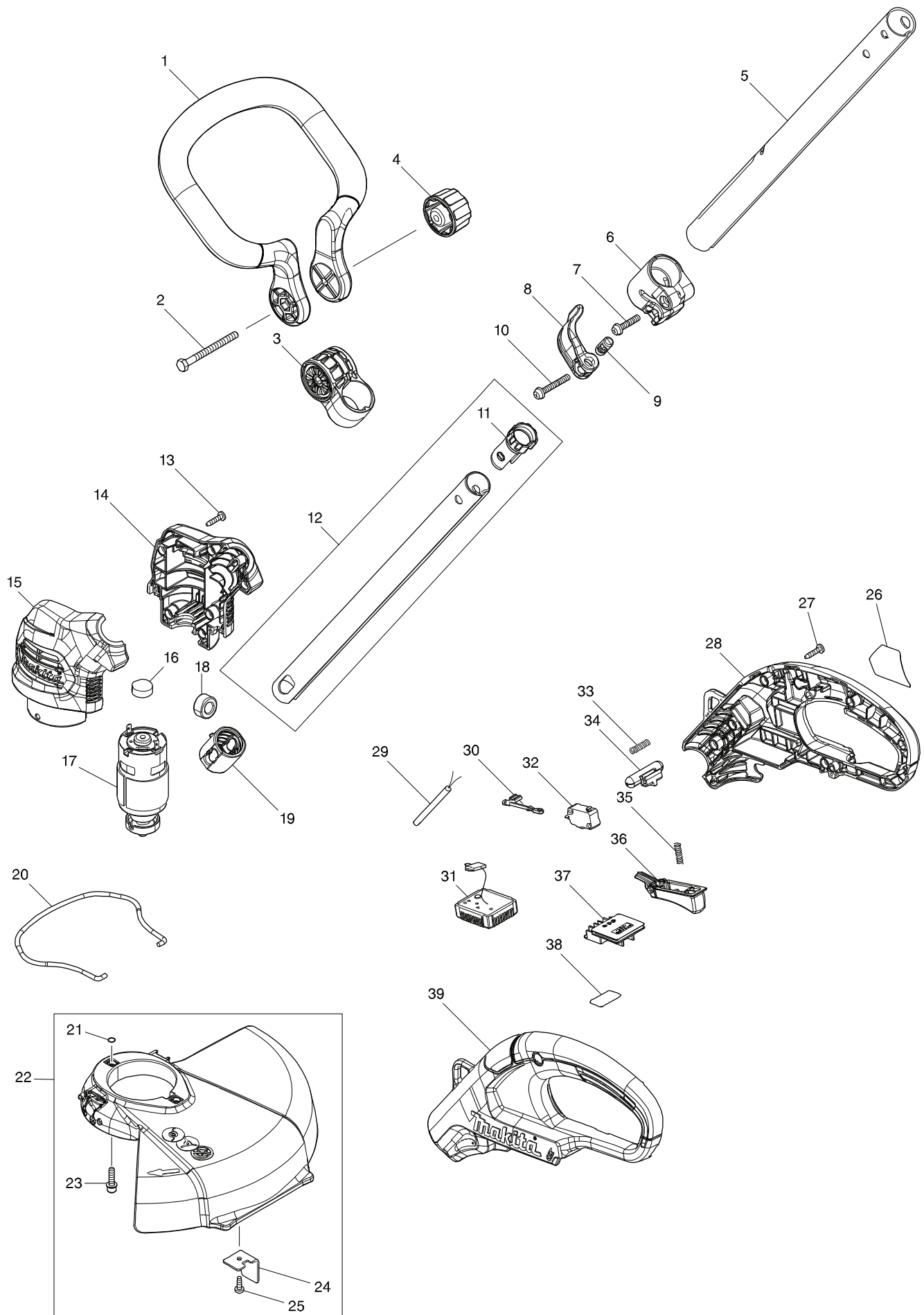


Mã số UR100D CORDLESS GRASS TRIMMER



Mã số UR100D CORDLESS GRASS TRIMMER

Mặt hàng	Mã số phụ tùng	Mô Tả	I/C	Qty	N/O	Sales	Purch.	Note
001	458505-8	FRONT GRIP		1				
002	921387-6	HEX. BOLT M6X65		1				
003	458260-2	GRIP HOLDER		1				
004	264072-1	THUMB NUT M6		1				
005	144939-8	PIPE 28 COMPLETE A		1				
C10	808723-2	CAUTION LABEL		1				
C20	816F56-7	CAUTION LABEL		1				
006	458256-3	SLEEVE		1				
C10	252103-8	HEX. LOCK NUT M5-8		2				
007	911243-8	PAN HEAD SCREW M5X25		1				
008	458257-1	LEVER		1				
009	319667-6	PIN 9		1				
010	911258-5	PAN HEAD SCREW M5X35		1				
011	458258-9	PIPE CAP		1				
012	135952-7	PIPE24 ASS'Y		1				
D10		INC. 11						
013	266326-2	TAPPING SCREW 4X18		6				
014	183H91-5	MOTOR HOUSING SET		1				
C10	346275-0	PLATE		2				
D10		INC. 15						
015	183H91-5	MOTOR HOUSING SET		1				
C10	346275-0	PLATE		2				
D10		INC. 14						
016	421940-3	CAP		1				
017	629317-8	DC MOTOR		1				
019	424567-8	RUBBER SLEEVE 24		1				
020	327065-0	WIRE GUARD		1				
021	213023-1	O RING 4		2				
022	135950-1	PROTECTOR ASS'Y		1				
D10		INC. 21,23-25						
023	911139-3	PAN HEAD SCREW M4X20 WG		2				
024	346555-4	CORD CUTTER		1				
025	266427-6	TAPPING SCREW 4X12		1				
026	854A93-3	UR100D NAME PLATE		1				
027	266326-2	TAPPING SCREW 4X18		6				
028	183H89-2	HANDLE SET		1				
C10	263002-9	RUBBER PIN 4		4				
D10		INC. 39						
029	699113-8	POWER SUPPLY CORD UNIT		1				
030	632L22-0	LEAD UNIT		1				
031	620780-8	CONTORLLER		1				
032	650744-8	SWITCH D3V-16-3C26		1				
033	231473-8	COMPRESSION SPRING 4		1				
034	452438-9	LOCK OFF BUTTON		1				
035	231473-8	COMPRESSION SPRING 4		1				
036	458259-7	SWITCH LEVER		1				
037	644813-5	TERMINAL		1				
038	854B01-0	UR100D SERIAL NO. LABEL		1				

