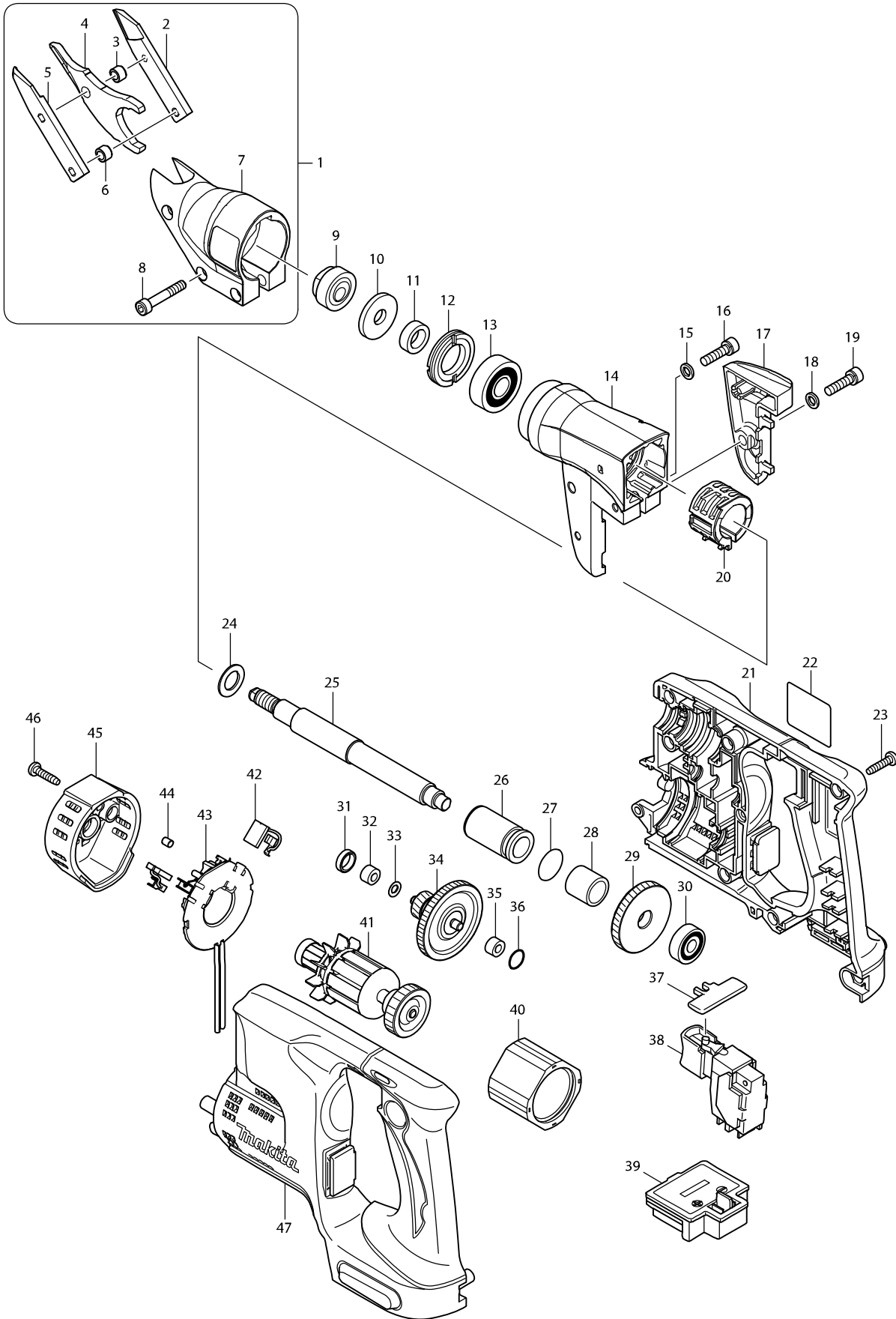


Model No. DJS130 CORDLESS METAL SHEAR 1.3MM



Model : DJS130 CORDLESS METAL SHEAR 1.3MM

Item	Sub	Parts No.	Parts Description	Qty
1		125849-8	SHEAR HEAD ASS'Y	1
1	C10	808046-8	INDICATION LABEL INC. 2-8	1
2		792742-7	SIDE BLADE R	1
3		257705-5	SLEEVE 5	1
4		792744-3	CENTER BLADE	1
5		792743-5	SIDE BLADE L	1
6		257705-5	SLEEVE 5	1
7		152663-9	CUTTING HEAD COMPLETE	1
8		266268-0	HEX. SOCKET HEAD BOLT	3
9		125111-1	BEARING ASS'Y	1
10		267223-5	FLAT WASHER 10	1
11		257173-2	RING 12	1
12		285802-7	BEARING RETAINER 19-33	1
13		211129-9	BALL BEARING 6201DDW	1
14		318325-1	BARREL	1
15		941102-2	FLAT WASHER 5	1
16		922231-0	HEX. SOCKET HEAD BOLT M5X20	1
17		450757-7	HOLDER	1
18		941102-2	FLAT WASHER 5	1
19		922231-0	HEX. SOCKET HEAD BOLT M5X20	1
20		450755-1	CLAMPER	1
21		187480-8	HOUSING SET INC. 47	1
22		815V90-0	DJS130 NAME PLATE	1
23		265995-6	TAPPING SCREW 4X18	9
24		253744-3	FLAT WASHER 12	1
25		324937-0	SPINDLE	1
26		214174-3	PLANE BEARING 14	1
27		213262-3	O RING 18	1
28		257773-8	SLEEVE 14	1
29		226686-4	HELICAL GEAR 39	1
30		211034-0	BALL BEARING 608	1
31		165115-1	RUBBER SLEEVE 10	1
32		214017-9	PLANE BEARING 5	1
33		253811-4	FLAT WASHER 5	1
34		226154-7	GEAR COMPLETE 11-44	1
35		214017-9	PLANE BEARING 5	1
36		213055-8	O RING 10	1
37		450756-9	LOOK OFF LEVER	1
38		650670-1	SWITCH TG513SBA-2	1
39		643860-3	TERMINAL	1
40		638426-2	YOKE UNIT	1
41		619237-4	ARMATURE	1
42		194427-5	CARBON BRUSH CB-440	1

43		638433-5	BRUSH HOLDER COMPLETE	1
43	C10	231696-8	TORSION SPRING R	1
43	C20	231697-6	TORSION SPRING L	1
44		263032-0	RUBBER PIN 4	2
45		419307-7	FRONT COVER	1
46		265995-6	TAPPING SCREW 4X18	2
47		187480-8	HOUSING SET INC. 21	1
48		125112-9	SHEAR HEAD ASS'Y INC. 2-8	1