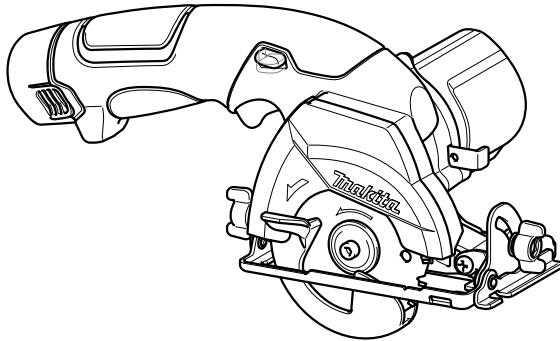
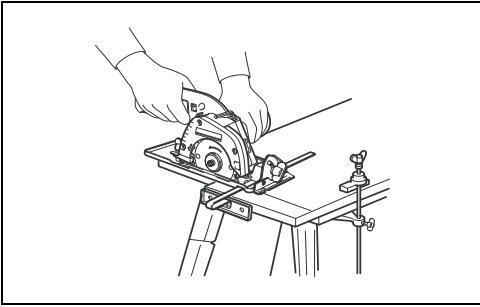




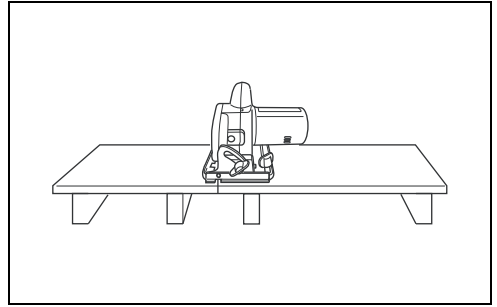
GB	Cordless Circular Saw	Instruction manual
ID	Gergaji Bundar Nirkabel	Petunjuk penggunaan
VI	Máy Cưa Đĩa chạy Pin	Tài liệu hướng dẫn
TH	เครื่องเลื่อยวงเดือนไร้สาย	คู่มือการใช้งาน

HS300D

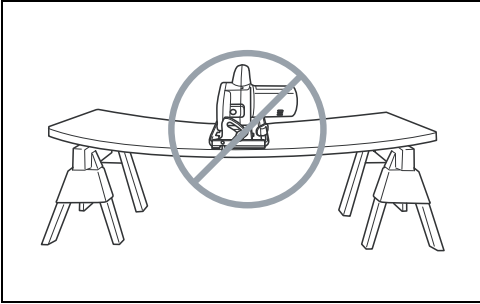




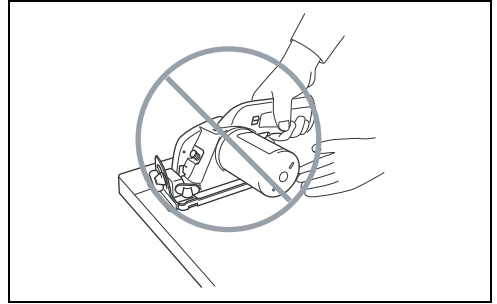
1



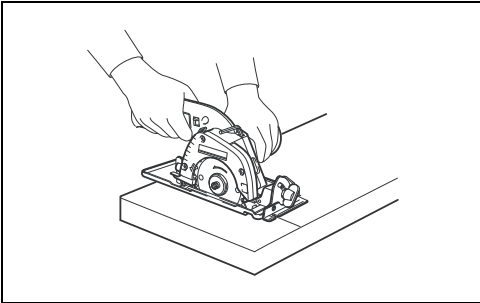
2



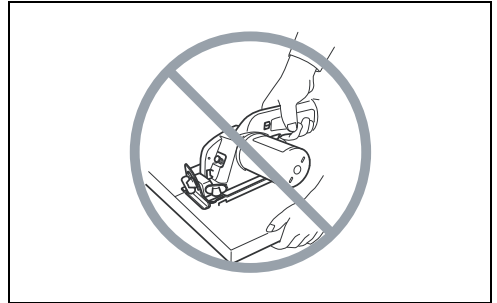
3



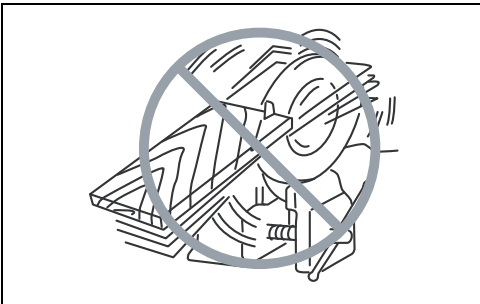
4



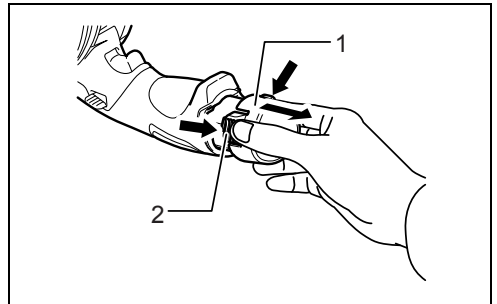
5



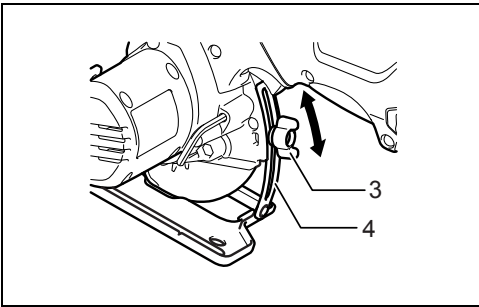
6



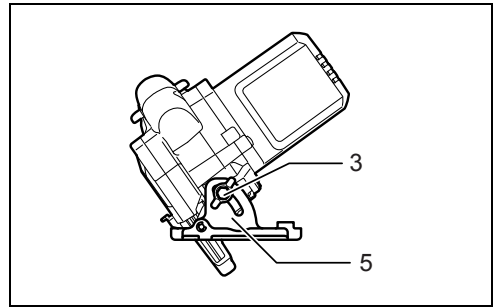
7



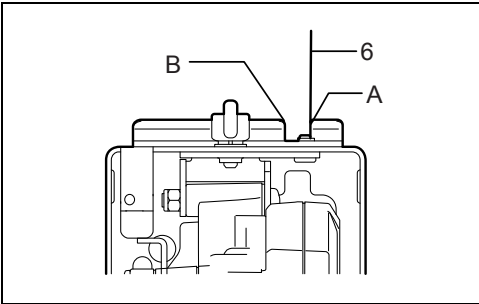
8



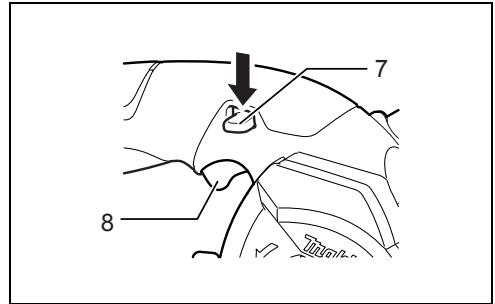
9



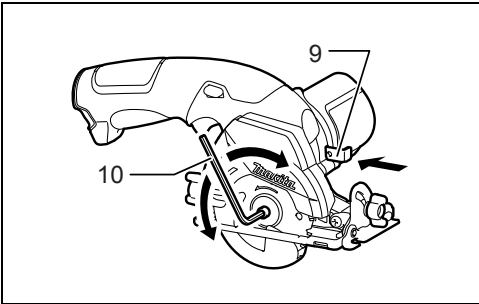
10



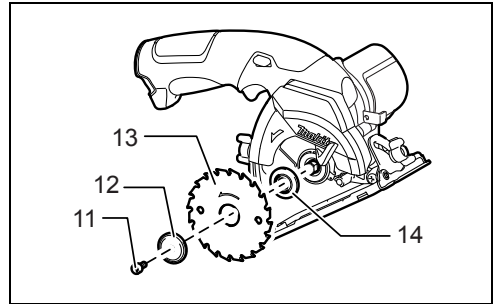
11



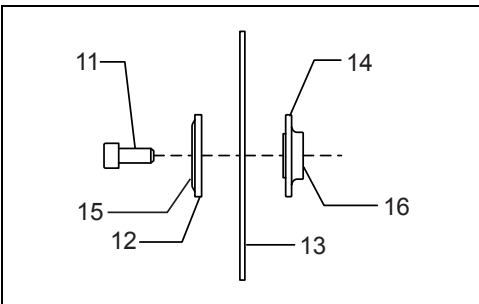
12



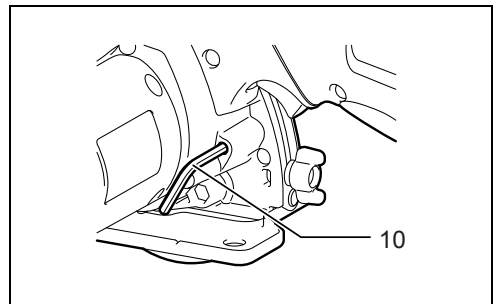
13



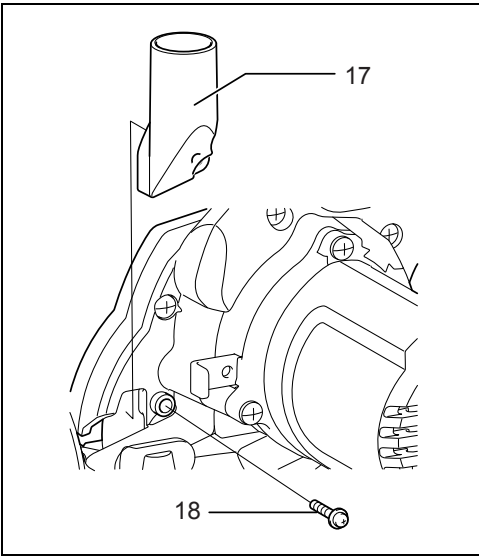
14



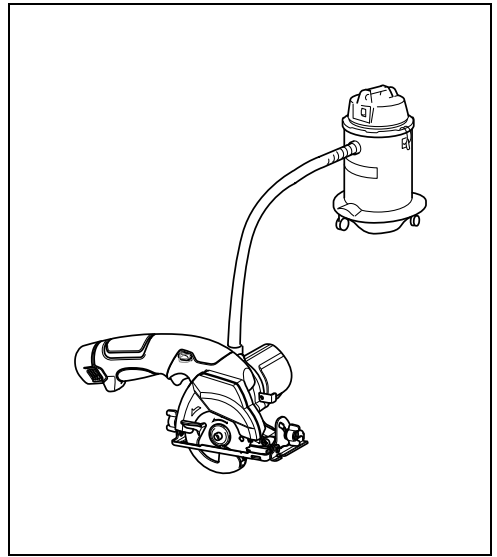
15



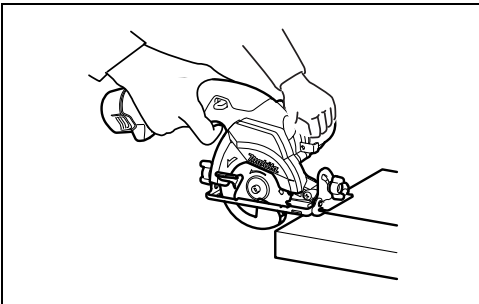
16



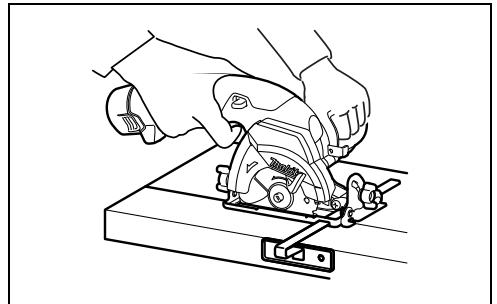
17



18



19



20

ENGLISH (Original instructions)

Explanation of general view

- | | | |
|----------------------|-------------------|------------------------------|
| 1. Battery cartridge | 7. Lock-off lever | 13. Saw blade |
| 2. Button | 8. Switch trigger | 14. Inner flange |
| 3. Clamping screw | 9. Shaft lock | 15. Protrusion |
| 4. Depth guide | 10. Hex wrench | 16. Protrusion (bigger side) |
| 5. Bevel scale plate | 11. Hex bolt | 17. Dust nozzle (accessory) |
| 6. Cutting line | 12. Outer flange | 18. Screw |

SPECIFICATIONS

Model		HS300D
Blade diameter		85 mm
Max. Cutting depth	at 90°	25.5 mm
	at 45°	16.5 mm
No load speed (min ⁻¹)		1,400
Overall length		300 mm
Net weight		1.5 kg
Rated voltage		D.C. 10.8 V

- Due to our continuing programme of research and development, the specifications herein are subject to change without notice.
- Specifications and battery cartridge may differ from country to country.
- Weight, with battery cartridge, according to EPTA-Procedure 01/2003

Symbols

ENE004-4

The following show the symbols used for the equipment. Be sure that you understand their meaning before use.



... Read instruction manual.

Intended use

ENE028-1

The tool is intended for performing lengthways and crossways straight cuts and mitre cuts with angles in wood while in firm contact with the workpiece.

General Power Tool Safety Warnings

GEA006-2

⚠ WARNING Read all safety warnings and all instructions. Failure to follow the warnings and instructions may result in electric shock, fire and/or serious injury.

Save all warnings and instructions for future reference.

The term "power tool" in the warnings refers to your mains-operated (corded) power tool or battery-operated (cordless) power tool.

Work area safety

1. **Keep work area clean and well lit.** Cluttered or dark areas invite accidents.
2. **Do not operate power tools in explosive atmospheres, such as in the presence of flammable liquids, gases or dust.** Power tools create sparks which may ignite the dust or fumes.

3. Keep children and bystanders away while

operating a power tool. Distractions can cause you to lose control.

Electrical Safety

4. **Power tool plugs must match the outlet. Never modify the plug in any way. Do not use any adapter plugs with earthed (grounded) power tools.** Unmodified plugs and matching outlets will reduce risk of electric shock.
5. **Avoid body contact with earthed or grounded surfaces such as pipes, radiators, ranges and refrigerators.** There is an increased risk of electric shock if your body is earthed or grounded.
6. **Do not expose power tools to rain or wet conditions.** Water entering a power tool will increase the risk of electric shock.
7. **Do not abuse the cord. Never use the cord for carrying, pulling or unplugging the power tool. Keep cord away from heat, oil, sharp edges or moving parts.** Damaged or entangled cords increase the risk of electric shock.
8. **When operating a power tool outdoors, use an extension cord suitable for outdoor use.** Use of a cord suitable for outdoor use reduces the risk of electric shock.
9. **If operating a power tool in a damp location is unavoidable, use a ground fault circuit interrupter (GFCI) protected supply.** Use of a GFCI reduces the risk of electric shock.

Personal Safety

10. **Stay alert, watch what you are doing and use common sense when operating a power tool. Do not use a power tool while you are tired or under**

the influence of drugs, alcohol or medication. A moment of inattention while operating power tools may result in serious personal injury.

11. **Use personal protective equipment. Always wear eye protection.** Protective equipment such as dust mask, non-skid safety shoes, hard hat, or hearing protection used for appropriate conditions will reduce personal injuries.
12. **Prevent unintentional starting. Ensure the switch is in the off-position before connecting to power source and/or battery pack, picking up or carrying the tool.** Carrying power tools with your finger on the switch or energising power tools that have the switch on invites accidents.
13. **Remove any adjusting key or wrench before turning the power tool on.** A wrench or a key left attached to a rotating part of the power tool may result in personal injury.
14. **Do not overreach. Keep proper footing and balance at all times.** This enables better control of the power tool in unexpected situations.
15. **Dress properly. Do not wear loose clothing or jewellery. Keep your hair, clothing, and gloves away from moving parts.** Loose clothes, jewellery or long hair can be caught in moving parts.
16. **If devices are provided for the connection of dust extraction and collection facilities, ensure these are connected and properly used.** Use of dust collection can reduce dust-related hazards.

Power tool use and care

17. **Do not force the power tool. Use the correct power tool for your application.** The correct power tool will do the job better and safer at the rate for which it was designed.
18. **Do not use the power tool if the switch does not turn it on and off.** Any power tool that cannot be controlled with the switch is dangerous and must be repaired.
19. **Disconnect the plug from the power source and/or the battery pack from the power tool before making any adjustments, changing accessories, or storing power tools.** Such preventive safety measures reduce the risk of starting the power tool accidentally.
20. **Store idle power tools out of the reach of children and do not allow persons unfamiliar with the power tool or these instructions to operate the power tool.** Power tools are dangerous in the hands of untrained users.
21. **Maintain power tools. Check for misalignment or binding of moving parts, breakage of parts and any other condition that may affect the power tool's operation. If damaged, have the power tool repaired before use.** Many accidents are caused by poorly maintained power tools.
22. **Keep cutting tools sharp and clean.** Properly maintained cutting tools with sharp cutting edges are less likely to bind and are easier to control.
23. **Use the power tool, accessories and tool bits etc. in accordance with these instructions, taking into**

account the working conditions and the work to be performed. Use of the power tool for operations different from those intended could result in a hazardous situation.

Battery tool use and care

24. **Recharge only with the charger specified by the manufacturer.** A charger that is suitable for one type of battery pack may create a risk of fire when used with another battery pack.
25. **Use power tools only with specifically designated battery packs.** Use of any other battery packs may create a risk of injury and fire.
26. **When battery pack is not in use, keep it away from other metal objects, like paper clips, coins, keys, nails, screws or other small metal objects, that can make a connection from one terminal to another.** Shorting the battery terminals together may cause burns or a fire.
27. **Under abusive conditions, liquid may be ejected from the battery; avoid contact. If contact accidentally occurs, flush with water. If liquid contacts eyes, additionally seek medical help.** Liquid ejected from the battery may cause irritation or burns.

SERVICE

28. **Have your power tool serviced by a qualified repair person using only identical replacement parts.** This will ensure that the safety of the power tool is maintained.
29. **Follow instruction for lubricating and changing accessories.**
30. **Keep handles dry, clean and free from oil and grease.**

CORDLESS CIRCULAR SAW SAFETY WARNINGS

GEB077-2

1. **⚠ DANGER: Keep hands away from cutting area and the blade. Keep your second hand on auxiliary handle, or motor housing.** If both hands are holding the saw, they cannot be cut by the blade.
2. **Do not reach underneath the workpiece.** The guard cannot protect you from the blade below the workpiece.
3. **Adjust the cutting depth to the thickness of the workpiece.** Less than a full tooth of the blade teeth should be visible below the workpiece.
4. **Never hold piece being cut in your hands or across your leg. Secure the workpiece to a stable platform.** It is important to support the work properly to minimize body exposure, blade binding, or loss of control.
A typical illustration of proper hand support and workpiece support. (Fig. 1)
5. **Hold power tool by insulated gripping surfaces when performing an operation where the cutting tool may contact hidden wiring.** Contact with a "live" wire will also make exposed metal parts of the power tool "live" and shock the operator.

6. **When ripping always use a rip fence or straight edge guide.** This improves the accuracy of cut and reduces the chance of blade binding.
 7. **Always use blades with correct size and shape (diamond versus round) of arbour holes.** Blades that do not match the mounting hardware of the saw will run eccentrically, causing loss of control.
 8. **Never use damaged or incorrect blade washers or bolt.** The blade washers and bolt were specially designed for your saw, for optimum performance and safety of operation.
 9. **Causes and Operator Prevention of Kickback:**
 - kickback is a sudden reaction to a pinched, bound or misaligned saw blade, causing an uncontrolled saw to lift up and out of the workpiece toward the operator;
 - when the blade is pinched or bound tightly by the kerf closing down, the blade stalls and the motor reaction drives the unit rapidly back toward the operator;
 - if the blade becomes twisted or misaligned in the cut, the teeth at the back edge of the blade can dig into the top surface of the wood causing the blade to climb out of the kerf and jump back toward the operator.
- Kickback is the result of saw misuse and/or incorrect operating procedures or conditions and can be avoided by taking proper precautions as given below.
- **Maintain a firm grip with both hands on the saw and position your arms to resist kickback forces. Position your body to either side of the blade, but not in line with the blade.** Kickback could cause the saw to jump backwards, but kickback forces can be controlled by the operator, if proper precautions are taken.
 - **When blade is binding, or when interrupting a cut for any reason, release the trigger and hold the saw motionless in the material until the blade comes to a complete stop. Never attempt to remove the saw from the work or pull the saw backward while the blade is in motion or kickback may occur.** Investigate and take corrective actions to eliminate the cause of blade binding.
 - **When restarting a saw in the workpiece, centre the saw blade in the kerf and check that saw teeth are not engaged into the material.** If saw blade is binding, it may walk up or kickback from the workpiece as the saw is restarted.
 - **Support large panels to minimise the risk of blade pinching and kickback.** Large panels tend to sag under their own weight. Supports must be placed under the panel on both sides, near the line of cut and near the edge of the panel.
To avoid kickback, do support board or panel near the cut. (Fig. 2)
Do not support board or panel away from the cut. (Fig. 3)
 - **Do not use dull or damaged blades.** Unsharpened or improperly set blades produce narrow kerf causing excessive friction, blade binding and kickback.
 - **Blade depth and bevel adjusting locking levers must be tight and secure before making cut.** If blade adjustment shifts while cutting, it may cause binding and kickback.
 - **Use extra caution when making a “plunge cut” into existing walls or other blind areas.** The protruding blade may cut objects that can cause kickback.
10. **Check lower guard for proper closing before each use. Do not operate the saw if lower guard does not move freely and close instantly. Never clamp or tie the lower guard into the open position.** If saw is accidentally dropped, lower guard may be bent. Raise the lower guard with the retracting handle and make sure it moves freely and does not touch the blade or any other part, in all angles and depths of cut.
 11. **Check the operation of the lower guard spring. If the guard and the spring are not operating properly, they must be serviced before use.** Lower guard may operate sluggishly due to damaged parts, gummy deposits, or a build-up of debris.
 12. **Lower guard should be retracted manually only for special cuts such as “plunge cuts” and “compound cuts”.** Raise lower guard by retracting handle and as soon as blade enters the material, the lower guard must be released. For all other sawing, the lower guard should operate automatically.
 13. **Always observe that the lower guard is covering the blade before placing saw down on bench or floor.** An unprotected, coasting blade will cause the saw to walk backwards, cutting whatever is in its path. Be aware of the time it takes for the blade to stop after switch is released.
 14. **ALWAYS hold the tool firmly with both hands. NEVER place your hand or fingers behind the saw.** If kickback occurs, the saw could easily jump backwards over your hand, leading to serious personal injury. (Fig. 4)
 15. **Never force the saw. Push the saw forward at a speed so that the blade cuts without slowing.** Forcing the saw can cause uneven cuts, loss of accuracy, and possible kickback.
 16. **Use extra caution when cutting damp wood, pressure treated lumber, or wood containing knots.** Adjust speed of cut to maintain smooth advancement of tool without decrease in blade speed.
 17. **Do not attempt to remove cut material when blade is moving. Wait until blade stops before grasping cut material.** CAUTION: Blades coast after turn off.
 18. **Avoid Cutting Nails. Inspect for and remove all nails from lumber before cutting.**
 19. **Place the wider portion of the saw base on that part of the workpiece which is solidly supported, not on the section that will fall off when the cut is made. As examples, Fig. 5 illustrates the RIGHT way to cut off the end of a board, and Fig. 6 the WRONG way. If the workpiece is short or small, clamp it down. DO NOT TRY TO HOLD SHORT PIECES BY HAND! (Fig. 5 & 6)**
 20. **Before setting the tool down after completing a cut, be sure that the lower guard has closed and the blade has come to a complete stop.**
 21. **Never attempt to saw with the circular saw held upside down in a vise. This is extremely**

dangerous and can lead to serious accidents.
(Fig. 7)

22. Some material contains chemicals which may be toxic. Take caution to prevent dust inhalation and skin contact. Follow material supplier safety data.
23. Do not stop the blades by lateral pressure on the saw blade.
24. Always use blades recommended in this manual. Do not use any abrasive wheels.
25. **Keep blade sharp and clean.** Gum and wood pitch hardened on blades slows saw and increases potential for kickback. Keep blade clean by first removing it from tool, then cleaning it with gum and pitch remover, hot water or kerosene. Never use gasoline.
26. **Wear a dust mask and hearing protection when use the tool.**

SAVE THESE INSTRUCTIONS.

WARNING:

DO NOT let comfort or familiarity with product (gained from repeated use) replace strict adherence to safety rules for the subject product. **MISUSE** or failure to follow the safety rules stated in this instruction manual may cause serious personal injury.

IMPORTANT SAFETY INSTRUCTIONS

ENC007-6

FOR BATTERY CARTRIDGE

1. **Before using battery cartridge, read all instructions and cautionary markings on (1) battery charger, (2) battery, and (3) product using battery.**
2. **Do not disassemble battery cartridge.**
3. **If operating time has become excessively shorter, stop operating immediately. It may result in a risk of overheating, possible burns and even an explosion.**
4. **If electrolyte gets into your eyes, rinse them out with clear water and seek medical attention right away. It may result in loss of your eyesight.**
5. **Do not short the battery cartridge:**
 - (1) **Do not touch the terminals with any conductive material.**
 - (2) **Avoid storing battery cartridge in a container with other metal objects such as nails, coins, etc.**
 - (3) **Do not expose battery cartridge to water or rain.**

A battery short can cause a large current flow, overheating, possible burns and even a breakdown.

6. **Do not store the tool and battery cartridge in locations where the temperature may reach or exceed 50°C (122°F).**
7. **Do not incinerate the battery cartridge even if it is severely damaged or is completely worn out. The battery cartridge can explode in a fire.**
8. **Be careful not to drop or strike battery.**
9. **Do not use a damaged battery.**

SAVE THESE INSTRUCTIONS.

Tips for maintaining maximum battery life

1. **Charge the battery cartridge before completely discharged.**
Always stop tool operation and charge the battery cartridge when you notice less tool power.
2. **Never recharge a fully charged battery cartridge. Overcharging shortens the battery service life.**
3. **Charge the battery cartridge with room temperature at 10°C - 40°C (50°F - 104°F). Let a hot battery cartridge cool down before charging it.**

FUNCTIONAL DESCRIPTION

CAUTION:

- Always be sure that the tool is switched off and the battery cartridge is removed before adjusting or checking function on the tool.

Installing or removing battery cartridge (Fig. 8)

- Always switch off the tool before insertion or removal of the battery cartridge.
- To remove the battery cartridge, withdraw it from the tool while pressing the buttons on both sides of the cartridge.
- To insert the battery cartridge, hold it so that the battery cartridge front shape fits to that of the battery installment opening and slip it into place. Always insert it all the way until it locks in place with a little click. If not, it may accidentally fall out of the tool, causing injury to you or someone around you.
- Do not use force when inserting the battery cartridge. If the cartridge does not slide in easily, it is not being inserted correctly.

Battery protection system

The tool is equipped with the protection system, which automatically cuts off the output power for its long service life.

The tool stops during operation when the tool and/or battery are placed under the following situation. This is caused by the activation of protection system and does not show the tool trouble.

- When the tool is overloaded:
At this time, release the switch trigger and remove causes of overload and then pull the switch trigger again to restart.
- When the remaining battery capacity gets low:
Recharge the battery cartridge.

Adjusting depth of cut (Fig. 9)

CAUTION:

- After adjusting the depth of cut, always tighten the clamping screw securely.

Loosen the clamping screw on the depth guide and move the base up or down. At the desired depth of cut, secure the base by tightening the clamping screw.

For cleaner, safer cuts, set cut depth so that no more than one blade tooth projects below workpiece. Using proper

cut depth helps to reduce potential for dangerous KICKBACKS which can cause personal injury.

Bevel cutting (Fig. 10)

Loosen the clamping screw on the bevel scale plate on the front of the base. Set for the desired angle (0° - 45°) by tilting accordingly, then tighten the clamping screw securely.

Sighting (Fig. 11)

For straight cuts, align the A position on the front of the base with your cutting line. For 45° bevel cuts, align the B position with it.

Switch action (Fig. 12)

⚠ CAUTION:

- Before inserting the battery cartridge into the tool, always check to see that the switch trigger actuates properly and returns to the "OFF" position when released.
- Do not pull the switch trigger hard without pressing the lock-off lever. This can cause switch breakage.

To prevent the switch trigger from being accidentally pulled, a lock-off lever is provided. To start the tool, slide the lock-off lever and pull the switch trigger. Release the switch trigger to stop.

⚠ WARNING:

- For your safety, this tool is equipped with lock-off lever which prevents the tool from unintended starting. NEVER use the tool if it runs when you simply pull the switch trigger without pressing the lock-off lever. Return tool a MAKITA service center for proper repairs BEFORE further usage.
- NEVER tape down or defeat purpose and function of lock-off lever.

ASSEMBLY

⚠ CAUTION:

- Always be sure that the tool is switched off and the battery cartridge is removed before carrying out any work on the tool.

Removing or installing saw blade (Fig. 13)

⚠ CAUTION:

- Be sure the blade is installed with teeth pointing up at the front of the tool.
- Use only the Makita wrench to install or remove the blade.

To remove the blade, press the shaft lock fully so that the blade cannot revolve and use the wrench to loosen the hex bolt counterclockwise. Then remove the hex bolt, outer flange and blade. (Fig. 14)

To install the blade, follow the removal procedure in reverse. BE SURE TO TIGHTEN THE HEX BOLT CLOCKWISE SECURELY. (Fig. 15)

NOTE:

- If a inner flange is removed by chance, install the inner flange so that its protrusion (bigger side) faces inside as shown in the figure.

When changing blade, make sure to also clean upper and lower blade guards of accumulated sawdust. Such efforts

do not, however, replace the need to check lower guard operation before each use.

Hex wrench storage (Fig. 16)

When not in use, store the hex wrench as shown in the figure to keep it from being lost.

Connecting a vacuum cleaner (Fig. 17 & 18)

When you wish to perform clean cutting operation, connect a Makita vacuum cleaner to your tool. Install the dust nozzle (accessory) on the tool using the screw. Then connect a hose of the vacuum cleaner to the dust nozzle as shown in the figure.

OPERATION

⚠ CAUTION:

- Be sure to move the tool forward in a straight line gently. Forcing or twisting the tool will result in overheating the motor and dangerous kickback, possibly causing severe injury.

NOTE:

- When the battery cartridge temperature is low, the tool may not work to its full capacity.
- At this time, for example, use the tool for a light-duty cut for a while until the battery cartridge warms up as high as room temperature. Then, the tool can work to its full capacity. (Fig. 19)

Hold the tool firmly. The tool is provided with both a front grip (motor housing) and rear handle. Use both to best grasp the tool. If both hands are holding saw, they cannot be cut by the blade. Set the base on the workpiece to be cut without the blade making any contact. Then turn the tool on and wait until the blade attains full speed. Now simply move the tool forward over the workpiece surface, keeping it flat and advancing smoothly until the sawing is completed.

To get clean cuts, keep your sawing line straight and your speed of advance uniform. If the cut fails to properly follow your intended cut line, do not attempt to turn or force the tool back to the cut line. Doing so may bind the blade and lead to dangerous kickback and possible serious injury. Release switch, wait for blade to stop and then withdraw tool. Realign tool on new cut line, and start cut again. Attempt to avoid positioning which exposes operator to chips and wood dust being ejected from saw. Use eye protection to help avoid injury.

Rip fence (Guide rule) (optional accessory) (Fig. 20)

The handy rip fence allows you to do extra-accurate straight cuts. Simply slide the rip fence up snugly against the side of the workpiece and secure it in position with the screw on the front of the base. It also makes repeated cuts of uniform width possible.

MAINTENANCE

⚠ CAUTION:

- Always be sure that the tool is switched off and the battery cartridge is removed before attempting to perform inspection or maintenance.

- Never use gasoline, benzene, thinner, alcohol or the like. Discoloration, deformation or cracks may result. To maintain product SAFETY and RELIABILITY, repairs, any other maintenance or adjustment should be performed by Makita Authorized Service Centers, always using Makita replacement parts.

ACCESSORIES

CAUTION:

- These accessories or attachments are recommended for use with your Makita tool specified in this manual. The use of any other accessories or attachments might present a risk of injury to persons. Only use accessory or attachment for its stated purpose.

If you need any assistance for more details regarding these accessories, ask your local Makita Service Center.

- Saw blades
- Rip fence (Guide rule)
- Hex wrench 4
- Dust nozzle
- Various type of Makita genuine batteries and chargers

BAHASA INDONESIA (Petunjuk asli)

Penjelasan gambaran umum

- | | | |
|----------------------------|--------------------|--------------------------------------|
| 1. Kartrid baterai | 7. Tuas kunci-mati | 13. Roda gergaji |
| 2. Tombol | 8. Picu sakelar | 14. Flensa dalam |
| 3. Sekrup klem | 9. Kunci poros | 15. Tonjolan |
| 4. Pemandu kedalaman | 10. Kunci heksa | 16. Tonjolan (sisi yang lebih besar) |
| 5. Pelat skala penyerongan | 11. Baut heksa | 17. Nozel debu (aksesori) |
| 6. Garis pemotongan | 12. Flensa luar | 18. Sekrup |

SPEKIFIKASI

Model		HS300D
Diameter roda gergaji		85 mm
Kedalaman Pemotongan maks.	pada sudut 90°	25,5 mm
	pada sudut 45°	16,5 mm
Kecepatan tanpa beban (men ⁻¹)		1.400
Panjang keseluruhan		300 mm
Berat bersih		1,5 kg
Tegangan yang sesuai		D.C. 10,8 V

- Karena kesinambungan program penelitian dan pengembangan kami, spesifikasi yang disebutkan di sini dapat berubah tanpa pemberitahuan.
- Spesifikasi dan kartrid baterai dapat berbeda dari satu negara ke negara lainnya.
- Berat, dengan kartrid baterai, menurut Prosedur EPTA 01/2003

Simbol-simbol

ENE004-4

Berikut ini adalah simbol-simbol yang digunakan pada mesin ini. Pastikan Anda mengerti makna masing-masing simbol sebelum menggunakan mesin ini.



... Baca petunjuk penggunaan.

Maksud penggunaan

ENE028-1

Mesin ini dimaksudkan untuk melakukan pemotongan lurus dan adu manis secara memanjang dan melintang dengan sudut tertentu pada kayu sambil menempelkannya dengan kuat pada benda kerja.

Peringatan Keselamatan Umum Mesin Listrik

GEA006-2

⚠ PERINGATAN Bacalah semua peringatan keselamatan dan semua petunjuk. Kelalaian mematuhi peringatan dan petunjuk dapat menyebabkan sengatan listrik, kebakaran, dan/atau cedera serius.

Simpanlah semua peringatan dan petunjuk untuk acuan di masa mendatang.

Istilah "mesin listrik" dalam semua peringatan mengacu pada mesin listrik yang dijalankan dengan sumber listrik jala-jala (berkabel) atau baterai (nirkabel).

Keselamatan tempat kerja

1. **Jagalah tempat kerja selalu bersih dan berpenerangan cukup.** Tempat yang berantakan atau gelap mengundang kecelakaan.
2. **Jangan mengoperasikan mesin listrik dalam atmosfer yang mudah meledak, seperti bila ada**

cairan, gas, atau debu mudah menyala. Mesin listrik menimbulkan percikan api yang dapat menyalakan debu atau uap tersebut.

3. **Jauhkan anak-anak dan mereka yang tidak berkepentingan saat mengoperasikan mesin listrik.** Bila perhatian terpecah, Anda dapat kehilangan kendali.

Keamanan Kelistrikan

4. **Steker mesin listrik harus cocok dengan stopkontak. Jangan sekali-kali mengubah steker dengan cara apa pun. Jangan menggunakan steker adaptor dengan mesin listrik berarde (dibumikan).** Steker yang tidak diubah dan stopkontak yang cocok akan mengurangi risiko sengatan listrik.
5. **Hindari sentuhan tubuh dengan permukaan berarde atau yang dibumikan seperti pipa, radiator, kompor, dan kulkas.** Risiko sengatan listrik bertambah jika tubuh Anda terbumikan atau terarde.
6. **Jangan membiarkan mesin listrik kehujanan atau kebasahan.** Air yang masuk ke dalam mesin listrik akan meningkatkan risiko sengatan listrik.
7. **Jangan menyalahgunakan kabel. Jangan sekali-kali menggunakan kabel untuk membawa, menarik, atau mencabut mesin listrik dari stopkontak. Jauhkan kabel dari panas, minyak, tepian tajam, atau komponen yang bergerak.** Kabel yang rusak atau kusut memperbesar risiko sengatan listrik.
8. **Bila menggunakan mesin listrik di luar ruangan, gunakan kabel ekstensi yang sesuai untuk penggunaan di luar ruangan.** Penggunaan kabel yang sesuai untuk penggunaan luar ruangan mengurangi risiko sengatan listrik.

9. **Jika mengoperasikan mesin listrik di lokasi lembap tidak dapat dihindari, gunakan pasokan daya yang dilindungi piranti pemutus arus kegagalan arde (ground fault circuit interrupter - GFCI).** Penggunaan GFCI mengurangi risiko sengatan listrik.

Keselamatan Diri

10. **Jaga kewaspadaan, perhatikan pekerjaan Anda dan gunakan akal sehat bila menggunakan mesin listrik. Jangan menggunakan mesin listrik saat Anda lelah atau di bawah pengaruh obat bius, alkohol, atau obat.** Sekejap saja lalai saat menggunakan mesin listrik dapat menyebabkan cedera diri yang serius.
11. **Gunakan alat pelindung diri. Selalu kenakan pelindung mata.** Peralatan pelindung seperti masker debu, sepatu pengaman anti-selip, helm pengaman, atau pelindung telinga yang digunakan untuk kondisi yang sesuai akan mengurangi risiko cedera.
12. **Cegah penyalaan yang tidak disengaja. Pastikan bahwa sakelar berada dalam posisi mati (off) sebelum menghubungkan mesin ke sumber daya dan/atau baterai, atau mengangkat atau membawa mesin.** Membawa mesin listrik dengan jari Anda pada sakelarnya atau mengalirkan listrik pada mesin listrik yang sakelarnya hidup (on) akan mengundang kecelakaan.
13. **Lepaskan kunci-kunci penyetel sebelum menghidupkan mesin listrik.** Kunci-kunci yang masih terpasang pada bagian mesin listrik yang berputar dapat menyebabkan cedera.
14. **Jangan meraih terlalu jauh. Pertahankan pijakan dan keseimbangan yang baik setiap saat.** Hal ini memungkinkan kendali yang lebih baik atas mesin listrik dalam situasi yang tidak diharapkan.
15. **Kenakan pakaian yang sesuai. Jangan memakai pakaian yang kedodoran atau perhiasan. Jaga jarak antara rambut, pakaian, dan sarung tangan Anda dengan bagian mesin yang bergerak.** Pakaian kedodoran, perhiasan, atau rambut panjang dapat tersangkut pada bagian yang bergerak.
16. **Jika tersedia fasilitas untuk menghisap dan mengumpulkan debu, pastikan fasilitas tersebut terhubung listrik dan digunakan dengan baik.** Penggunaan pembersih debu dapat mengurangi bahaya yang terkait dengan debu.

Penggunaan dan pemeliharaan mesin listrik

17. **Jangan memaksa mesin listrik. Gunakan mesin listrik yang tepat untuk keperluan Anda.** Mesin listrik yang tepat akan menuntaskan pekerjaan dengan lebih baik dan lebih aman pada kecepatan sesuai rancangannya.
18. **Jangan gunakan mesin listrik jika sakelar tidak dapat menghidupkan atau mematikannya.** Mesin listrik yang tidak dapat dikendalikan dengan sakelarnya adalah berbahaya dan harus diperbaiki.
19. **Cabut steker dari sumber listrik dan/atau baterai dari mesin listrik sebelum melakukan penyetelan, penggantian aksesoris, atau menyimpan mesin listrik.** Langkah keselamatan preventif tersebut

mengurangi risiko hidupnya mesin secara tak sengaja.

20. **Simpan mesin listrik jauh dari jangkauan anak-anak dan jangan biarkan orang yang tidak paham akan mesin listrik tersebut atau petunjuk ini menggunakan mesin listrik.** Mesin listrik sangat berbahaya di tangan pengguna yang tak terlatih.
21. **Rawatlah mesin listrik. Periksa apakah ada bagian bergerak yang tidak lurus atau macet, bagian yang pecah dan kondisi lain yang dapat mempengaruhi penggunaan mesin listrik. Jika rusak, perbaiki dahulu mesin listrik sebelum digunakan.** Banyak kecelakaan disebabkan oleh kurangnya pemeliharaan mesin listrik.
22. **Jaga agar mesin pemotong tetap tajam dan bersih.** Mesin pemotong yang terawat baik dengan mata pemotong yang tajam tidak akan mudah macet dan lebih mudah dikendalikan.
23. **Gunakan mesin listrik, aksesoris, dan mata mesin, dll. sesuai dengan petunjuk ini, dengan memperhitungkan kondisi kerja dan jenis pekerjaan yang dilakukan.** Penggunaan mesin listrik untuk tujuan yang lain dari peruntukan dapat menimbulkan situasi berbahaya.

Penggunaan dan pemeliharaan mesin listrik baterai

24. **Isi ulang baterai hanya dengan pengisi baterai (charger) yang ditentukan oleh pabrik pembuat mesin.** Pengisi baterai yang cocok untuk suatu jenis baterai dapat menimbulkan risiko kebakaran bila digunakan dengan baterai yang lain.
25. **Gunakan mesin listrik hanya dengan baterai yang khusus ditentukan untuknya.** Penggunaan baterai yang lain dapat menimbulkan risiko cedera dan kebakaran.
26. **Bila baterai tidak sedang digunakan, jauhkanlah dari benda logam lain, seperti klip kertas, koin, kunci, paku, sekrup, atau benda logam kecil lainnya, yang dapat menjadi penghubung antara terminal-terminalnya.** Menghubungsingkatkan terminal-terminal baterai dapat menyebabkan luka bakar atau kebakaran.
27. **Bila disalahgunakan, baterai dapat mengeluarkan cairan; hindari terkena cairan ini. Jika terkena cairan ini secara tidak sengaja, bilaslah dengan air. Jika cairan mengenai mata, setelah dibilas, mintalah bantuan medis.** Cairan yang keluar dari baterai dapat menyebabkan iritasi atau luka bakar.

SERVIS

28. **Berikan mesin listrik untuk diperbaiki/diservis hanya kepada teknisi yang berkualifikasi dengan menggunakan hanya suku cadang pengganti yang serupa.** Hal ini akan menjamin terjaganya keamanan mesin listrik.
29. **Patuhi petunjuk pelumasan dan penggantian aksesoris.**
30. **Jagalah agar gagang kering, bersih, dan bebas dari minyak dan gemuk.**

PERINGATAN KESELAMATAN GERGAJI BUNДАР NIRKABEL

GEB077-2

1. **⚠ BAHAYA: Jauhkan tangan dari area pemotongan dan roda gergaji. Letakkan tangan yang lain pada gagang tambahan, atau rumah motor.** Jika kedua tangan memegang gergaji, kedua tangan Anda itu tidak akan mungkin teriris roda gergaji.
2. **Jangan meraih ke bawah benda kerja.** Pelindung tidak dapat melindungi Anda dari roda gergaji di bawah benda kerja.
3. **Sesuaikan kedalaman pemotongan dengan ketebalan benda kerja.** Roda gergaji yang terlihat di bawah benda kerja harus kurang dari satu gigi penuh.
4. **Jangan sekali-kali memegang benda kerja yang dipotong dengan tangan atau menahannya di atas kaki Anda. Amankan benda kerja pada platform/ duduk yang stabil.** Sangatlah penting untuk menyangga benda kerja dengan baik guna meminimalkan keterpaparan badan, kemacetan roda gergaji, atau kehilangan kendali.
Ilustrasi contoh penyangga tangan dan penyangga benda kerja yang benar. (Gb. 1)
5. **Pegang mesin listrik pada permukaan peggam yang terisolasi bila dalam melakukan pekerjaan alat pemotong dapat menyentuh kawat tersembunyi.** Persentuhan dengan kawat “hidup” juga akan menyebabkan bagian logam yang terbuka dari mesin listrik ikut “hidup” dan menyengat pengguna.
6. **Saat melakukan pembelahan, selalu gunakan pagar pembelahan atau pemandu bertepi lurus.** Ini akan meningkatkan akurasi pemotongan dan mengurangi kemungkinan macetnya roda gergaji.
7. **Selalu gunakan roda gergaji dengan ukuran dan bentuk lubang arbor yang tepat (berlian atau bundar).** Roda gergaji yang tidak cocok dengan perangkat pemasangannya akan berputar tidak simetris sehingga menyebabkan kehilangan kendali.
8. **Jangan sekali-kali menggunakan cincin atau baut roda gergaji yang rusak atau tidak cocok.** Cincin dan baut roda gergaji telah dirancang khusus untuk gergaji Anda, untuk kinerja optimal dan keamanan penggunaan.
9. **Penyebab Tendangan-balik dan Pencegahannya oleh Operator:**
 - tendangan-balik adalah reaksi tiba-tiba terhadap roda gergaji yang terjepit, tersangkut, atau tidak lurus, dan menyebabkan gergaji lepas kendali, terangkat, dan tercabut dari benda kerja serta bergerak ke arah pengguna;
 - saat roda gergaji terjepit kuat oleh alur gergajian yang menutup, roda gergaji akan berhenti dan reaksi motor akan mendorong balik unit dengan cepat ke arah pengguna;
 - jika roda gergaji terpuntir atau tidak lurus di dalam alur gergajian, gigi di tepi belakang roda gergaji akan menggigit permukaan atas kayu sehingga roda terangkat keluar dari alur gergajian dan terpental ke arah pengguna.Tendangan-balik adalah akibat penyalahgunaan gergaji dan/atau prosedur atau kondisi penggunaan

yang tidak tepat dan dapat dihindari dengan mengambil langkah pengamanan yang sesuai seperti diuraikan di bawah ini.

- **Selalu genggam gergaji kuat-kuat dengan kedua tangan dan posisikan lengan Anda untuk menahan gaya tendangan-balik.** Posisikan tubuh Anda pada salah satu sisi roda gergaji, bukan segaris dengan roda gergaji. Tendangan-balik dapat menyebabkan gergaji melompat ke belakang, tetapi gaya tendangan-balik dapat dikendalikan oleh pengguna, jika langkah pengamanan yang sesuai telah diambil.
 - **Jika roda gergaji macet atau pemotongan harus dihentikan karena sebab apa pun, lepaskan picu dan pegang gergaji tanpa bergerak pada benda kerja sampai roda gergaji benar-benar berhenti. Jangan sekali-kali mencoba mencabut gergaji dari benda kerja atau menarik gergaji ke belakang saat roda gergaji masih berputar atau akan terjadi tendangan-balik.** Selidiki dan ambil tindakan perbaikan untuk meniadakan penyebab macetnya roda gergaji.
 - **Bila menghidupkan kembali gergaji di dalam benda kerja, letakkan roda gergaji di tengah alur gergajian dan pastikan gigi gergaji tidak menempel pada benda kerja.** Jika roda gergaji macet, roda gergaji dapat berjalan naik atau menendang balik dari benda kerja pada saat gergaji dihidupkan kembali.
 - **Sangga panel besar untuk meminimalkan risiko roda gergaji terjepit dan menendang-balik.** Panel besar cenderung tertekuk karena beratnya sendiri. Penyangga harus ditempatkan di bawah panel pada kedua sisinya, di dekat garis potong dan di dekat tepi panel.
Guna menghindari tendangan-balik, sangga papan atau panel di dekat alur penggergajian. (Gb. 2)
Jangan menyangga papan atau panel jauh dari alur penggergajian. (Gb. 3)
 - **Jangan gunakan roda gergaji yang tumpul atau rusak.** Roda gergaji yang tak diasah atau tak terpasang baik menghasilkan alur gergajian yang sempit sehingga menimbulkan terlalu banyak gesekan, kemacetan roda gergaji, dan tendangan-balik.
 - **Tuas pengunci setelan kedalaman dan keserongan roda gergaji harus kencang dan aman sebelum melakukan penggergajian.** Jika setelan roda gergaji bergeser saat penggergajian dilakukan, macet dan tendangan-balik dapat terjadi.
 - **Ekstra hati-hatilah saat membuat “pemotongan benam” (plunge cut) pada dinding yang sudah berdiri atau tempat lain yang tak terlihat bagian belakangnya.** Roda yang menjorok keluar dapat mengiris objek yang dapat menyebabkan tendangan-balik.
10. **Periksa pelindung bawah, apakah tertutup dengan baik setiap kali sebelum mesin digunakan. Jangan mengoperasikan gergaji jika pelindung bawah tidak bergerak bebas dan tertutup seketika.**

- Jangan sekali-kali mengklemp atau mengikat pelindung bawah pada posisi terbuka. Jika gergaji terjatuh secara tidak sengaja, pelindung bawah dapat bengkok. Angkat pelindung bawah dengan gagang penarik dan pastikan pelindung ini bergerak bebas dan tidak menyentuh roda gergaji atau bagian lain mana pun, pada segala sudut dan kedalaman pemotongan.
11. **Periksa kerja pegas pelindung bawah. Jika tidak bekerja dengan baik, pelindung dan pegas harus segera diperbaiki sebelum digunakan.** Pelindung bawah dapat bekerja dengan lambat akibat adanya bagian yang rusak, endapan getah, atau penumpukan kotoran.
 12. **Pelindung bawah harus ditarik secara manual hanya untuk pemotongan khusus seperti “pemotongan benam” (plunge cut) dan “pemotongan kombinasi”.** Naikkan pelindung bawah dengan menarik gagang dan segera setelah roda gergaji masuk ke dalam benda kerja, pelindung bawah harus dilepaskan. Untuk semua penggergajian lainnya, pelindung bawah harus bekerja secara otomatis.
 13. **Selalu pastikan bahwa pelindung bawah menutupi roda gergaji sebelum meletakkan gergaji di meja atau lantai.** Roda gergaji yang tidak terlindungi dan berputar sendiri akan menyebabkan gergaji bergerak mundur dan mengiris apa saja yang ada di jalurnya. Ketahuilah waktu yang dibutuhkan oleh roda gergaji untuk benar-benar berhenti setelah sakelar dilepas.
 14. **SELALU pegang mesin kuat-kuat dengan kedua tangan. JANGAN SEKALI-KALI menempatkan tangan atau jari Anda di belakang gergaji.** Jika terjadi tendangan-balik, gergaji dapat dengan mudah terlontar ke belakang ke atas tangan Anda, dan menyebabkan cedera serius. (Gb. 4)
 15. **Jangan sekali-kali memaksa gergaji. Dorong maju gergaji pada kecepatan yang pas sehingga roda gergaji bergerak memotong tanpa melambat.** Memaksa gergaji dapat menyebabkan pemotongan tidak rata, penurunan akurasi, dan kemungkinan tendangan-balik.
 16. **Ekstra hati-hatilah saat memotong kayu lembab, kayu hasil pengolahan dengan tekanan, atau kayu yang memiliki mata kayu.** Atur kecepatan pemotongan agar laju pemotongan berjalan halus tanpa menyebabkan kecepatan roda gergaji menurun.
 17. **Jangan mencoba mengambil bahan yang terpotong saat roda gergaji masih bergerak. Tunggu sampai roda gergaji berhenti sebelum mengambil bahan yang terpotong.** PERHATIAN: Roda gergaji masih berputar sendiri setelah dimatikan.
 18. **Hindari Memotong Paku.** Periksa dan cabut semua paku dari benda kerja sebelum memotong.
 19. **Tempatkan bagian alas gergaji yang lebih lebar di atas bagian benda kerja yang tertopang kuat, dan bukan pada bagian yang akan jatuh setelah penggergajian selesai.** Sebagai contoh, Gb. 5 mengilustrasikan cara yang BENAR untuk memotong ujung papan, dan Gb. 6 cara yang SALAH. Jika benda kerja pendek atau kecil, klem yang kuat. **JANGAN MENCoba MEMEGANG**

BENDA KERJA PENDEK DENGAN TANGAN! (Gb. 5 & 6)

20. **Sebelum meletakkan mesin setelah menyelesaikan pemotongan, pastikan bahwa pelindung bawah telah menutup dan roda gergaji sudah benar-benar berhenti.**
21. **Jangan sekali-kali mencoba memotong dengan gergaji bundar yang ditahan terbalik pada ragum (catok).** Ini sangat berbahaya dan dapat menyebabkan kecelakaan serius. (Gb. 7)
22. **Bahan tertentu mengandung zat kimia yang mungkin beracun. Hindari menghirup debu dan persentuhan dengan kulit.** Ikuti data keselamatan bahan dari pemasok.
23. **Jangan menghentikan roda gergaji dengan memberikan tekanan pada sisinya.**
24. **Selalu gunakan roda gergaji yang dianjurkan dalam petunjuk penggunaan ini.** Jangan gunakan roda gerinda.
25. **Jaga roda gergaji selalu tajam dan bersih.** Getah dan ter kayu yang mengeras pada roda gergaji akan memperlambat gergaji dan memperbesar kemungkinan terjadinya tendangan-balik. Jaga kebersihan roda gergaji dengan lebih dulu melepaskannya dari mesin, kemudian membersihkannya dengan pembersih getah dan ter, air panas, atau minyak tanah. Jangan sekali-kali menggunakan bensin.
26. **Kenakan masker debu dan pelindung pendengaran saat menggunakan mesin.**

SIMPAN PETUNJUK INI.

⚠ PERINGATAN:

JANGAN biarkan kenyamanan atau terbiasanya Anda dengan produk (karena penggunaan berulang) menggantikan kepatuhan yang ketat terhadap aturan keselamatan untuk produk yang terkait. **PENYALAHGUNAAN** atau kelalaian mematuhi kaidah keselamatan yang tertera dalam petunjuk ini dapat menyebabkan cedera badan serius.

PETUNJUK KESELAMATAN PENTING

ENC007-6

UNTUK KARTRID BATERAI

1. **Sebelum menggunakan kartrid baterai, bacalah semua petunjuk dan tanda peringatan pada (1) pengisi baterai, (2) baterai, dan (3) produk yang menggunakan baterai.**
2. **Jangan membongkar kartrid baterai.**
3. **Jika waktu pengoperasian telah menjadi terlalu singkat, segera hentikan pengoperasian.** Keadaan tersebut dapat berisiko menimbulkan panas berlebihan, kemungkinan luka bakar, dan bahkan ledakan.
4. **Jika ada elektrolit yang masuk ke mata, bilaslah bersih-bersih dengan air bersih dan segera cari bantuan medis.** Hal itu dapat mengakibatkan hilangnya penglihatan.
5. **Jangan menghubungsingkatkan kartrid baterai:**

- (1) Jangan menyentuh terminal-terminalnya dengan bahan konduktif.
- (2) Hindari menyimpan kartrid baterai dalam wadah bersama dengan benda logam lainnya seperti paku, koin, dll.
- (3) Jangan biarkan kartrid baterai terkena air atau hujan.

Hubungan singkat baterai dapat menyebabkan aliran arus yang besar, panas berlebihan, kemungkinan luka bakar, dan bahkan kerusakan permanen.

6. Jangan menyimpan mesin ini dan kartrid baterai di tempat yang suhunya dapat mencapai atau melebihi 50°C (122°F).
7. Jangan membakar kartrid baterai bahkan meskipun kartrid sudah rusak parah atau benar-benar rusak. Kartrid baterai dapat meledak di dalam api.
8. Berhati-hatilah agar baterai tidak sampai terjatuh atau terpukul.
9. Jangan menggunakan baterai yang rusak.

SIMPAN PETUNJUK INI.

Kiat untuk mempertahankan usia pakai baterai maksimum

1. Isilah kembali kartrid baterai sebelum baterai sepenuhnya habis. Selalu hentikan pengoperasian mesin dan isi kartrid baterai saat Anda merasakan bahwa tenaga mesin telah berkurang.
2. Jangan sekali-kali mengisi ulang kartrid baterai yang telah terisi penuh. Mengisi baterai terlalu banyak akan memperpendek usia pakai baterai.
3. Isilah kartrid baterai dengan suhu ruangan antara 10°C - 40°C (50°F - 104°F). Biarkan kartrid baterai yang panas mendingin lebih dahulu sebelum mengisinya.

DESKRIPSI FUNGSIONAL

⚠ PERHATIAN:

- Selalu pastikan bahwa mesin dalam keadaan mati dan kartrid baterainya telah dilepas sebelum menyatel atau memeriksa fungsi mesin.

Memasang atau melepas kartrid baterai (Gb. 8)

- Selalu matikan mesin sebelum memasukkan atau mengeluarkan kartrid baterai.
- Untuk mengeluarkan kartrid baterai, tariklah dari mesin sambil menekan tombol-tombol pada kedua sisi kartrid.
- Untuk memasukkan kartrid baterai, pegang dan paskan bagian depan kartrid baterai dengan lubang pemasangan baterai dan doronglah masuk ke tempatnya. Selalu masukkan adaptor sepenuhnya sampai terkunci di tempatnya yang ditandai suara klik. Jika tidak, komponen ini dapat terlepas dan jatuh dari mesin, sehingga menyebabkan cedera pada Anda atau orang lain di sekitar Anda.
- Jangan mendorong paksa kartrid baterai saat memasukkannya. Jika kartrid tidak dapat terdorong

masuk dengan mudah, berarti posisi memasukkannya belum tepat.

Sistem perlindungan baterai

Mesin ini dilengkapi dengan sistem perlindungan, yang secara otomatis membatasi keluaran daya demi mempertahankan usia pakai yang panjang.

Mesin ini akan berhenti beroperasi apabila mesin dan/atau baterai ditempatkan dalam keadaan berikut ini. Ini disebabkan oleh teraktifkannya sistem perlindungan dan tidak menunjukkan masalah pada mesin.

- Bila mesin mengalami kelebihan beban:
Pada saat ini, lepaskan picu sakelar dan singkirkan penyebab kelebihan beban lalu tarik picu sakelar lagi untuk menghidupkan ulang mesin.
- Bila kapasitas baterai yang tersisa tinggal sedikit:
Isi kembali kartrid baterai.

Menyetel kedalaman pemotongan (Gb. 9)

⚠ PERHATIAN:

- Setelah menyetel kedalaman pemotongan, selalu kencangkan sekrup klem kuat-kuat.

Kendurkan sekrup klem pada pemandu kedalaman dan gerakkan alas naik atau turun. Pada kedalaman pemotongan yang diinginkan, amankan alas dengan mengencangkan sekrup klem.

Untuk pemotongan yang lebih bersih dan lebih aman, setel kedalaman pemotongan sehingga tidak lebih dari satu gigi gergaji penuh akan menjorok di bawah benda kerja. Menggunakan kedalaman pemotongan yang tepat akan membantu mengurangi potensi terjadinya TENDANGAN-BALIK yang berbahaya dan dapat menyebabkan cedera.

Pemotongan serong (Gb. 10)

Kendurkan sekrup klem pada pelat skala penyerongan di depan alas. Setel ke sudut yang diinginkan (0° - 45°) dengan memiringkannya, kemudian kencangkan sekrup klem ini kuat-kuat.

Pelurusan (pembidikan) garis potong (Gb. 11)

Untuk pemotongan lurus, luruskan posisi A di bagian depan alas dengan garis pemotongan. Untuk pemotongan serong 45°, luruskan posisi B dengannya.

Kerja sakelar (Gb. 12)

⚠ PERHATIAN:

- Sebelum memasukkan kartrid baterai ke dalam mesin, selalu pastikan bahwa picu sakelar bekerja dengan baik dan kembali ke posisi "OFF" (MATI) saat dilepaskan.
 - Jangan menarik picu sakelar kuat-kuat tanpa menekan tuas kunci-mati. Ini dapat menyebabkan sakelar pecah.
- Untuk mencegah picu sakelar tertarik secara tidak disengaja, disediakan tuas kunci-mati. Untuk menjalankan mesin, geser tuas kunci-mati dan tarik picu sakelar. Lepaskan picu sakelar untuk menghentikan.

⚠ PERINGATAN:

- Demi keselamatan Anda, mesin ini dilengkapi dengan tuas kunci-mati yang mencegah mesin terhidupkan

secara tidak sengaja. JANGAN SEKALI-KALI menggunakan mesin jika mesin dapat dihidupkan hanya dengan menarik picu sakelarnya tanpa menekan tuas kunci-matinya. Kembalikan mesin ke pusat servis MAKITA untuk diperbaiki dengan benar SEBELUM digunakan.

- JANGAN SEKALI-KALI memplester atau menonaktifkan tujuan dan fungsi tuas kunci-mati.

PERAKITAN

⚠ PERHATIAN:

- Selalu pastikan bahwa mesin dalam keadaan mati dan kartrid baterainya dilepas sebelum melakukan pekerjaan apa pun pada mesin.

Melepas atau memasang roda gergaji (Gb. 13)

⚠ PERHATIAN:

- Pastikan bahwa roda gergaji terpasang dengan gigi-gigi mengarah ke depan mesin.
- Gunakan hanya kunci Makita untuk memasang atau melepas roda gergaji.

Untuk melepas roda gergaji, tekan kunci poros sepenuhnya sehingga roda gergaji tidak dapat berputar dan gunakan kunci untuk mengendurkan baut heksa berlawanan arah jarum jam. Kemudian lepaskan baut heksa, flensa luar, dan roda gergaji. (Gb. 14)
Untuk memasang bilah, ikuti prosedur pelepasan secara terbalik. PASTIKAN UNTUK MENGENCANGKAN BAUT HEKSA SEARAH JARUM JAM KUAT-KUAT. (Gb. 15)

CATATAN:

- Jika flensa dalam terlepas secara tidak disengaja, pasanglah flensa dalam itu sehingga tonjolannya (sisi yang lebih besar) menghadap ke dalam seperti diperlihatkan dalam gambar.

Saat mengganti roda gergaji, pastikan untuk membersihkan juga pelindung atas dan bawah roda gergaji dari serbuk gergaji yang terakumulasi. Namun demikian, tindakan demikian tidak menggantikan perlunya memeriksa kerja pelindung bawah setiap kali sebelum menggunakan mesin.

Penyimpanan kunci heksa (Gb. 16)

Bila tidak sedang digunakan, simpanlah kunci heksa seperti diperlihatkan dalam gambar agar tidak hilang.

Menghubungkan mesin pembersih vakum (Gb. 17 & 18)

Bila Anda ingin melakukan pekerjaan pemotongan yang bersih, hubungkan mesin pembersih vakum Makita ke mesin Anda. Pasang nozel debu (aksesori) pada mesin menggunakan sekrupnya. Kemudian hubungkan slang pembersih vakum ke nozel debu seperti diperlihatkan dalam gambar.

PENGOPERASIAN

⚠ PERHATIAN:

- Pastikan untuk menggerakkan mesin maju dalam garis lurus dengan halus. Memaksa atau memuntir mesin akan mengakibatkan pemanasan berlebihan pada

motor dan tendangan-balik, sehingga dapat menimbulkan cedera parah.

CATATAN:

- Bila suhu kartrid baterai rendah, mesin dapat tidak berfungsi sampai kapasitas penuhnya.
- Pada keadaan demikian, gunakan mesin misalnya untuk pemotongan ringan selama beberapa saat sampai kartrid baterai menghangat mencapai suhu ruangan. Maka mesin dapat bekerja sampai kapasitas penuhnya. (Gb. 19)

Pegang mesin kuat-kuat. Mesin ini dilengkapi dengan pegangan depan (rumah motor) dan gagang belakang. Gunakan keduanya untuk mendapat pegangan terbaik atas mesin. Jika kedua tangan memegang gergaji, keduanya tidak mungkin teriris roda gergaji. Letakkan alas gergaji pada benda kerja yang akan dipotong tanpa membuat roda gergaji menyentuh benda kerja. Kemudian hidupkan mesin dan tunggu sampai roda gergaji mencapai kecepatan penuh. Sekarang, cukup gerakkan mesin ke depan di atas permukaan benda kerja, dengan menjaganya tetap mendarat dan maju dengan halus sampai penggergajian selesai.

Untuk mendapatkan pemotongan yang bersih, jaga garis penggergajian tetap lurus dan kecepatan maju gergaji seragam. Jika pemotongan tidak berhasil mengikuti garis potong yang diinginkan, jangan mencoba memblokir atau memaksa mesin kembali ke garis potong. Melakukan hal itu dapat membuat roda gergaji macet dan mengakibatkan tendangan-balik yang berbahaya dan kemungkinan cedera serius. Lepaskan sakelar, tunggu roda berhenti, dan kemudian tarik mesin. Luruskan kembali mesin pada garis potong baru, dan mulailah pemotongan kembali. Usahakan untuk menghindari pemosisian yang membuat operator bisa terkena serpihan dan debu kayu yang terlontar dari gergaji. Gunakan pelindung mata untuk membantu menghindari cedera.

Pagar pembelahan (Penggaris pemandu) (aksesori opsional) (Gb. 20)

Pagar pembelahan yang mudah digunakan ini memungkinkan Anda membuat potongan lurus yang ekstra-akurat. Cukup geser pagar pembelahan hingga menempel pas pada sisi benda kerja dan kencangkan di posisinya dengan sekrup di bagian depan alas. Alat ini juga memungkinkan dilakukannya pemotongan berulang dengan lebar yang seragam.

PEMELIHARAAN

⚠ PERHATIAN:

- Selalu pastikan bahwa mesin dalam keadaan mati dan kartrid baterainya dilepas sebelum mencoba melakukan pemeriksaan atau pemeliharaan.
- Jangan sekali-kali menggunakan bensin, tiner, alkohol, atau bahan sejenisnya. Penggunaan bahan demikian dapat menyebabkan perubahan warna dan bentuk serta timbulnya retakan.

Demi menjaga KEAMANAN dan KEHANDALAN produk, serahkan perbaikan, pemeliharaan atau penyetulan lainnya kepada Pusat Servis Resmi Makita, dengan selalu menggunakan suku cadang pengganti Makita.

AKSESORI

PERHATIAN:

- Aksesori atau alat-alat tambahan ini dianjurkan untuk digunakan bersama mesin Makita Anda yang disebutkan dalam buku petunjuk ini. Penggunaan aksesori atau alat tambahan lain dapat memunculkan risiko cedera. Gunakanlah aksesori atau alat tambahan hanya untuk tujuan aslinya.

Jika Anda membutuhkan bantuan perihal informasi lebih terperinci mengenai aksesori-aksesori ini, tanyakan kepada Pusat Servis Makita setempat.

- Roda gergaji
- Pagar pembelahan (Penggaris pemandu)
- Kunci heksa 4
- Nozel debu
- Berbagai jenis baterai dan pengisi baterai asli Makita

TIẾNG VIỆT (Hướng dẫn gốc)

Giải thích về hình vẽ tổng thể

- | | | |
|---------------------|--------------------------|---------------------------------|
| 1. Hộp pin | 7. Lấy khoá | 13. Lưỡi cưa |
| 2. Nút | 8. Bộ khởi động công tắc | 14. Vành trong |
| 3. Vít kẹp | 9. Khoá trục | 15. Phần nhô ra |
| 4. Thanh dẫn độ sâu | 10. Cờ lê sáu cạnh | 16. Phần nhô ra (mặt lớn hơn) |
| 5. Đĩa chia độ vát | 11. Bu-lông lục giác | 17. Ống phun mặt cưa (phụ tùng) |
| 6. Đường cưa | 12. Vành ngoài | 18. Vít |

THÔNG SỐ KỸ THUẬT

Kiểu máy		HS300D
Đường kính lưỡi cưa		85 mm
Độ sâu Cắt Tối đa	ở góc 90°	25,5 mm
	ở góc 45°	16,5 mm
Tốc độ không tải (min ⁻¹)		1.400
Tổng chiều dài		300 mm
Trọng lượng tịnh		1,5 kg
Điện áp định mức		Đồng một chiều: 10,8 V

- Do chương trình nghiên cứu và phát triển liên tục của chúng tôi nên các thông số kỹ thuật trong tài liệu này có thể thay đổi mà không cần thông báo.
- Các thông số kỹ thuật và hộp pin ở mỗi quốc gia có thể khác nhau.
- Trọng lượng, có hộp pin, theo quy định EPTA-Procedure 01/2003

Ký hiệu

END004-4

Phần dưới đây cho biết các ký hiệu được dùng cho thiết bị. Đảm bảo rằng bạn hiểu ý nghĩa của các ký hiệu này trước khi sử dụng.



... Đọc tài liệu hướng dẫn.

Mục đích sử dụng

ENE028-1

Dụng cụ được dùng để cưa gỗ với các đường cưa thẳng theo chiều dọc và theo đường chéo góc cũng như các đường cưa vát có góc khi vẫn gắn chặt vào phôi gia công.

Cảnh báo An toàn Chung dành cho Dụng cụ Máy

GEA006-2

⚠ CẢNH BÁO Đọc tất cả cảnh báo an toàn cũng như tất cả hướng dẫn. Việc không tuân theo các cảnh báo và hướng dẫn có thể dẫn đến điện giật, hỏa hoạn và/hoặc thương tích nghiêm trọng.

Lưu giữ tất cả cảnh báo và hướng dẫn để tham khảo sau này.

Thuật ngữ “dụng cụ máy” trong các cảnh báo đề cập đến dụng cụ máy (có dây) được vận hành bằng điện hoặc dụng cụ máy (không dây) được vận hành bằng pin.

An toàn tại nơi làm việc

- Giữ nơi làm việc sạch sẽ và có đủ ánh sáng. Nơi làm việc bừa bộn hoặc tối có thể dẫn đến tai nạn.
- Không vận hành dụng cụ máy trong môi trường cháy nổ, ví dụ như môi trường có sự hiện diện

của các chất lỏng, khí hoặc bụi dễ cháy. Các dụng cụ máy tạo ra tia lửa điện có thể làm bụi hoặc khí bốc cháy.

- Giữ trẻ em và người ngoài tránh xa nơi làm việc khi đang vận hành dụng cụ máy. Sự sao lãng có thể khiến bạn mất khả năng kiểm soát.

An toàn về Điện

- Phích cắm của dụng cụ máy phải khớp với ổ cắm. Không bao giờ được sửa đổi phích cắm theo bất kỳ cách nào. Không sử dụng bất kỳ phích điều hợp nào với các dụng cụ máy được nối đất (tiếp đất). Các phích cắm còn nguyên vẹn và ổ cắm phù hợp sẽ giảm nguy cơ điện giật.
- Tránh để cơ thể tiếp xúc với các bề mặt nổi đất hoặc tiếp đất như đường ống, bộ tản nhiệt, bể ga và tủ lạnh. Nguy cơ bị điện giật sẽ tăng lên nếu cơ thể bạn được nối đất hoặc tiếp đất.
- Không để dụng cụ máy tiếp xúc với mưa hoặc trong điều kiện ẩm ướt. Nước chảy vào dụng cụ máy sẽ làm tăng nguy cơ điện giật.
- Không sử dụng dây sai cách. Không bao giờ sử dụng dây để mang, kéo hoặc tháo phích cắm dụng cụ máy. Giữ dây tránh xa nguồn nhiệt, dầu, các mep sắc hoặc các bộ phận chuyển động. Dây bị hỏng hoặc bị rí sẽ làm tăng nguy cơ điện giật.
- Khi vận hành dụng cụ máy ngoài trời, hãy sử dụng dây kéo dài phù hợp cho việc sử dụng ngoài trời. Việc dùng dây phù hợp cho việc sử dụng ngoài trời sẽ giảm nguy cơ điện giật.
- Nếu bắt buộc phải vận hành dụng cụ máy ở nơi ẩm ướt, hãy sử dụng nguồn cấp điện được bảo vệ bằng thiết bị ngắt mạch rò điện (GFCI). Sử dụng GFCI sẽ giảm nguy cơ điện giật.

AN TOÀN CÁ NHÂN

- 10. Luôn tỉnh táo, quan sát những việc bạn đang làm và sử dụng những phán đoán theo kinh nghiệm khi vận hành dụng cụ máy. Không sử dụng dụng cụ máy khi bạn đang mệt mỏi hoặc chịu ảnh hưởng của ma túy, chất cồn hay thuốc.** Chỉ một khoảnh khắc không tập trung khi đang vận hành dụng cụ máy cũng có thể dẫn đến thương tích cá nhân nghiêm trọng.
- 11. Sử dụng thiết bị bảo hộ cá nhân. Luôn đeo thiết bị bảo vệ mắt.** Các thiết bị bảo hộ như mặt nạ chống bụi, giày an toàn không trượt, mũ bảo hộ hay thiết bị bảo vệ thính giác được sử dụng trong các điều kiện thích hợp sẽ giúp giảm thương tích cá nhân.
- 12. Tránh khởi động vô tình dụng cụ máy. Đảm bảo công tắc ở vị trí OFF (tắt) trước khi nối nguồn điện và/hoặc bộ pin, cắm hoặc mang dụng cụ máy.** Việc mang dụng cụ máy khi đang đặt ngón tay ở vị trí công tắc hoặc cấp điện cho dụng cụ máy khi công tắc đang ở vị trí bật có thể dẫn đến tai nạn.
- 13. Tháo mọi khoá hoặc cờ lê điều chỉnh trước khi bật dụng cụ máy.** Việc cờ lê hoặc khoá vẫn còn gắn vào bộ phận quay của dụng cụ máy có thể dẫn đến thương tích cá nhân.
- 14. Không với quá cao. Luôn giữ thăng bằng tốt và có chỗ để chân phù hợp.** Điều này cho phép điều khiển dụng cụ máy tốt hơn trong những tình huống bất ngờ.
- 15. Ăn mặc phù hợp. Không mặc quần áo rộng hay đeo đồ trang sức. Giữ tóc, quần áo và gang tay tránh xa các bộ phận chuyển động.** Quần áo rộng, đồ trang sức hay tóc dài có thể mắc vào các bộ phận chuyển động.
- 16. Nếu thiết bị được cung cấp kèm theo các bộ phận để nối thiết bị hút và gom bụi, hãy đảm bảo chúng được kết nối và sử dụng đúng cách.** Sử dụng thiết bị gom bụi có thể làm giảm những mối nguy hiểm liên quan đến bụi.

Sử dụng và bảo quản dụng cụ máy

- 17. Không ép buộc dụng cụ máy. Sử dụng đúng dụng cụ máy cho công việc của bạn.** Sử dụng đúng dụng cụ máy sẽ giúp thực hiện công việc tốt hơn và an toàn hơn theo giá trị định mức được thiết kế của dụng cụ máy đó.
- 18. Không sử dụng dụng cụ máy nếu công tắc không bật và tắt được dụng cụ máy đó.** Mọi dụng cụ máy không thể điều khiển được bằng công tắc đều rất nguy hiểm và cần được sửa chữa.
- 19. Rút phích cắm ra khỏi nguồn điện và/hoặc tháo bộ pin khỏi dụng cụ máy trước khi thực hiện bất kỳ công việc điều chỉnh, thay đổi phụ tùng hay cất giữ dụng cụ máy nào.** Những biện pháp an toàn phòng ngừa này sẽ giảm nguy cơ khởi động vô tình dụng cụ máy.
- 20. Cất giữ các dụng cụ máy không sử dụng ngoài tầm với của trẻ em và không cho bất kỳ người nào không có hiểu biết về dụng cụ máy hoặc các hướng dẫn này vận hành dụng cụ máy.**

Dụng cụ máy sẽ rất nguy hiểm nếu được sử dụng bởi những người dùng chưa qua đào tạo.

- 21. Bảo dưỡng dụng cụ máy. Kiểm tra tình trạng lệch trục hoặc bó kẹt của các bộ phận động, hiện tượng nứt vỡ của các bộ phận và mọi tình trạng khác mà có thể ảnh hưởng đến hoạt động của dụng cụ máy. Nếu có hỏng hóc, hãy sửa chữa dụng cụ máy trước khi sử dụng.** Nhiều tai nạn xảy ra là do không bảo quản tốt dụng cụ máy.
- 22. Luôn giữ cho dụng cụ cắt được sắc và sạch.** Những dụng cụ cắt được bảo dưỡng đúng cách có lưỡi cắt sắc sẽ ít bị kẹt hơn và dễ điều khiển hơn.
- 23. Sử dụng dụng cụ máy, phụ tùng và đầu dụng cụ cắt, v.v... theo các hướng dẫn này, có tính đến điều kiện làm việc và công việc được thực hiện.** Việc sử dụng dụng cụ máy cho các công việc khác với công việc dự định có thể gây nguy hiểm.

Sử dụng và bảo quản dụng cụ dùng pin

- 24. Chỉ sạc lại bằng bộ sạc được nhà sản xuất chỉ định.** Bộ sạc thích hợp cho một loại bộ pin có thể gây rủi ro cháy khi được sử dụng với bộ pin khác.
- 25. Chỉ sử dụng dụng cụ máy với các bộ pin được chỉ định cụ thể.** Sử dụng bất kỳ bộ pin nào khác cũng có nguy cơ gây ra chấn thương hoặc cháy.
- 26. Khi không sử dụng bộ pin, hãy cất giữ bộ pin cách xa các vật kim loại khác, như ghim kẹp giấy, tiền xu, chìa khoá, đinh, đai ốc hoặc các vật kim loại nhỏ khác, là những vật có thể trở thành vật kết nối một cực với cực kia.** Chập các cực pin vào nhau có thể gây bỏng hoặc cháy.
- 27. Trong các trường hợp sử dụng sai mục đích, pin có thể tiết ra chất lỏng; hãy tránh tiếp xúc.** Nếu bạn vô tình tiếp xúc với chất lỏng này, hãy rửa sạch bằng nước. Nếu chất lỏng này tiếp xúc với mắt, bạn phải tìm thêm sự trợ giúp y tế. Chất lỏng tiết ra từ pin có thể gây rát hoặc bỏng.

BẢO TRÌ

- 28. Để nhân viên sửa chữa đủ trình độ bảo dưỡng dụng cụ máy của bạn và chỉ sử dụng các bộ phận thay thế đồng nhất.** Việc này sẽ đảm bảo duy trì được độ an toàn của dụng cụ máy.
- 29. Tuân theo hướng dẫn dành cho việc bôi trơn và thay phụ tùng.**
- 30. Giữ tay cầm khô, sạch, không dính dầu và mỡ.**

CẢNH BÁO AN TOÀN DÀNH CHO MÁY CƯA ĐĨA CHẠY PIN

GEB077-2

- 1. ⚠️ NGUY HIỂM: Để tay tránh xa khu vực cửa và lưỡi của đĩa.** Để tay thứ hai của bạn trên tay cầm phụ hoặc vô động cơ. Nếu cầm cửa bằng cả hai tay thì lưỡi của sẽ không thể cắt vào tay.
- 2. Không đưa tay xuống bên dưới phôi gia công.** Phần bảo vệ không thể bảo vệ bạn khỏi lưỡi của ở bên dưới phôi gia công.
- 3. Điều chỉnh độ sâu cắt theo độ dày của phôi gia công.** Phải thấy được một phần rãnh của phía dưới phôi gia công.
- 4. Không được cầm phôi gia công đang được đưa ra trong tay hoặc để chèo qua chân bạn. Cờ định phôi gia công vào một bề vững chắc.** Điều quan

trọng là phải dỡ phôi gia công đúng cách để giảm thiểu khả năng tiếp xúc với cơ thể, hiện tượng bó kẹt lưới của hoặc mất kiểm soát.

Hình minh họa điển hình cho việc dỡ tay và dỡ phôi gia công đúng cách. (Hình 1)

5. **Cắm dụng cụ máy bằng bề mặt kẹp cách điện khi thực hiện một thao tác trong đó dụng cụ cắt có thể tiếp xúc với dây dẫn kín.** Tiếp xúc với dây dẫn “có điện” cũng sẽ khiến các bộ phận kim loại bị hở của dụng cụ máy “có điện” và làm cho người vận hành bị điện giật.
6. **Khi của dọc, luôn sử dụng thanh cữ hoặc thước dẫn hướng thẳng.** Điều này giúp cải thiện độ chính xác của đường của và giảm nguy cơ bó kẹt lưới của.
7. **Luôn sử dụng lưới của có kích thước và hình dạng (hình thoi so với hình tròn) của lỗ tâm chính xác.** Những lưới của không khớp với phần cứng lắp ráp của của sẽ chạy lệch tâm, gây mất kiểm soát.
8. **Không được sử dụng các vòng đệm hoặc bu lông lưới của bị hỏng hoặc không đúng.** Bu lông và các vòng đệm lưới của được thiết kế dành riêng cho của của bạn, để tối đa hoá hiệu năng và độ an toàn hoạt động.
9. **Nguyên nhân và Đề phòng Hiện tượng bật ngược trở lại Người vận hành:**
 - bật ngược trở lại là hiện tượng phần lực đột ngột khi lưới của bị bó, nảy lên hoặc bị lệch khiến cho của bị mất kiểm soát, bật lên và rời khỏi phôi gia công, hướng về phía người vận hành;
 - khi lưới của bị vết của bó hoặc kẹp chặt lại, lưới của ngừng chạy và phần lực của động cơ khiến cho thiết bị bật nhanh ngược trở lại người vận hành;
 - nếu lưới của bị xoắn hoặc lệch khi của, răng ở mặt sau lưới của có thể cắm sâu vào mặt trên của gỗ khiến cho lưới của chệch ra ngoài vết của và bật ngược trở lại người vận hành.Hiện tượng bật ngược trở lại là do sử dụng sai của và/ hoặc quy trình hoạt động tình trạng vận hành không chính xác và có thể tránh được bằng cách thực hiện các biện pháp phòng ngừa thích hợp dưới đây.
- **Luôn cầm chặt của bằng cả hai tay và đặt cánh tay của bạn ở vị trí có thể chịu đựng được các lực bật ngược lại.** Để thân của bạn ở vị trí một trong hai phía của lưới của nhưng không được thẳng hàng với lưới của. Hiện tượng bật ngược lại khiến của bật ngược về phía sau nhưng người vận hành có thể kiểm soát được lực bật ngược lại nếu thực hiện các biện pháp phòng ngừa thích hợp.
- **Khi lưới của bị bó kẹt hoặc khi đường của bị gián đoạn vì bất kỳ lý do nào, hãy nhả bộ khởi động và giữ của đứng im trong vật liệu cho đến khi lưới của hoàn toàn dừng lại.** Không được cố gỡ của ra khỏi phôi gia công hoặc kéo của về phía sau trong khi lưới của vẫn đang chuyển động, nếu không có thể sẽ xảy ra hiện tượng bật ngược lại. Kiểm tra và tiến hành khắc phục để loại bỏ nguyên nhân gây bó kẹt lưới của.
- **Khi khởi động lại của trong phôi gia công, đặt lưới của vào giữa vết của và kiểm tra để các**

răng của không được mắc vào vật liệu. Nếu lưới của bị bó kẹt, lưới của có thể bật lên hoặc bật ngược lại khỏi phôi gia công khi của được khởi động lại.

- **Đỡ tấm ván lớn để giảm thiểu nguy cơ bó lưới của và vật ngược lại.** Tấm ván lớn thường có xu hướng võng xuống do trọng lượng của nó. Phải đặt các giá đỡ dưới tấm ván ở cả hai phía, gần đường của và gần cạnh của tấm ván.
 - **Đề tránh bắt ngược lại, hãy dỡ bảng hoặc tấm ván ở chỗ gần đường của. (Hình 2)**
 - **Không dỡ bảng hoặc tấm ván ở chỗ xa đường của. (Hình 3)**
 - **Không sử dụng lưới của bị cùn hoặc bị hư hỏng.** Lưới của không được mài sắc hoặc được điều chỉnh không đúng cách sẽ tạo ra vết của hẹp gây ra ma sát quá lớn, bó kẹt lưới của cũng như hiện tượng bật ngược lại.
 - **Phải vận chặt và độ định các cần khoá điều chỉnh góc và độ sâu lưới của trước khi của.** Nếu điều chỉnh lưới của thay đổi khi đang của thì có thể gây ra bó kẹt và bật ngược lại.
 - **Đặc biệt thận trọng khi thực hiện “của chìm” vào các bức tường có sẵn hoặc bề mặt kín khác.** Lưới của nhô ra có thể của phải các vật có thể gây ra hiện tượng bật ngược lại.
10. **Kiểm tra phần bảo vệ dưới xem đã đóng đúng chưa trước mỗi lần sử dụng.** Không vận hành của nếu phần bảo vệ dưới không di chuyển tự do và đóng ngay tức khắc. Không được kẹp chặt hoặc buộc phần bảo vệ dưới vào vị trí mở. Nếu vô tình đánh rơi của thì phần bảo vệ dưới có thể bị cong. Nâng phần bảo vệ dưới bằng tay cầm thật vào và đảm bảo rằng phần bảo vệ dưới di chuyển tự do và không chạm vào lưới của hoặc bất kỳ bộ phận nào khác, ở mọi góc và độ sâu cắt.
 11. **Kiểm tra hoạt động của lò xo phần bảo vệ dưới.** Nếu phần bảo vệ và lò xo không hoạt động đúng, chúng phải được bảo trì trước khi sử dụng. Phần bảo vệ dưới có thể hoạt động chậm do các bộ phận bị hư hỏng, các lớp lắng nhựa hoặc các mảnh vụn tích tụ.
 12. **Chỉ thực phần bảo vệ dưới vào bằng tay đối với các đường của cá biệt như “của chìm” và “của phức hợp”.** Nâng phần bảo vệ dưới bằng tay cầm thật vào và ngay khi lưới của ăn vào vật liệu, phải thả phần bảo vệ dưới ra. Đối với các công việc của khác, phần bảo vệ dưới phải hoạt động tự động.
 13. **Luôn chú ý xem phần bảo vệ dưới đã che lưới của hay chưa trước khi đặt của lên ghế hoặc sàn nhà.** Lưới của không được bảo vệ, theo đà quán tính sẽ khiến của chuyển động ngược về phía sau, của bất kể thứ gì trên đường đi của nó. Chú ý thời gian cần thiết để lưới của dừng sau khi nhả công tắc.
 14. **LUÔN cầm chắc dụng cụ bằng cả hai tay.** KHÔNG được đặt tay hoặc ngón tay của bạn ở đằng sau của. Nếu xảy ra hiện tượng bật ngược lại, của có thể dễ dàng bật lại phía sau qua tay của bạn, dẫn đến thương tích cá nhân nghiêm trọng. (Hình 4)

15. **Không được ấn mạnh cửa. Đẩy cửa về phía trước ở tốc độ sao cho lưỡi của cửa không bị chậm.** Ấn mạnh cửa có thể khiến cho đường của gỗ ghé, mất độ chính xác và có thể xảy ra hiện tượng bật ngược lại.
16. **Đặc biệt cẩn trọng khi cửa gỗ ẩm, gỗ ép hoặc gỗ có mấu.** Điều chỉnh tốc độ cửa để duy trì chuyển động tiến nhẹ nhàng của dụng cụ mà không làm giảm tốc độ của lưỡi cửa.
17. **Không cố gỡ vật liệu bị cửa khi lưỡi của đang chuyển động. Chờ cho tới khi lưỡi của dừng trước khi nắm lấy vật liệu bị cửa.** **THẬN TRỌNG:** Lưỡi cửa chạy theo đà quán tính sau khi tắt.
18. **Tránh Cửa Đính.** Kiểm tra và tháo toàn bộ đính khỏi gỗ trước khi cửa.
19. **Đặt phần rộng hơn của bề cửa lên phần phôi gia công được đỡ chắc chắn, không đặt lên phần sẽ rơi xuống sau khi thực hiện cửa.** Ví dụ: Hình 5 minh họa cách thức ĐÚNG để cửa rời một đầu bằng và Hình 6 minh họa cách thức SAI. Nếu phôi gia công ngắn hoặc nhỏ, hãy kẹp chặt nó xuống. **KHÔNG ĐƯỢC CỐ GIỮ CÁC MẤU GỖ NGÃN BẰNG TAY!** (Hình 5 & 6)
20. **Trước khi đặt dụng cụ xuống sau khi cửa xong, hãy đảm bảo rằng phần bảo vệ dưới đã đóng và lưỡi của đã dừng hẳn.**
21. **Không được cố cửa bằng cửa đĩa được kẹp lộn ngược trong dụng cụ kẹp.** Điều này cực kỳ nguy hiểm và có thể dẫn tới những tai nạn nghiêm trọng. (Hình 7)
22. **Một số vật liệu có thể chứa hoá chất độc.** Hãy cẩn thận để tránh hít phải bụi và tiếp xúc với da. Tuân theo dữ liệu an toàn của nhà cung cấp vật liệu.
23. **Không dùng lưỡi của bằng áp lực bên lên lưỡi cửa.**
24. **Luôn sử dụng các lưỡi cửa được khuyên dùng trong tài liệu hướng dẫn này.** Không sử dụng bất kỳ đĩa mài nào.
25. **Giữ lưỡi của sắc và sạch.** Chất dính và nhựa gỗ bám chặt trên lưỡi cửa làm chậm cửa và tăng khả năng xảy ra hiện tượng bật ngược lại. Giữ lưỡi cửa sạch bằng cách trước tiên, tháo lưỡi cửa khỏi dụng cụ, sau đó lau sạch lưỡi cửa bằng chất tẩy chất dính và nhựa, nước nóng hay dầu hoà. Không được sử dụng xăng.
26. **Đeo mặt nạ chống bụi và thiết bị bảo vệ thính giác khi sử dụng dụng cụ.**

LƯU GIỮ CÁC HƯỚNG DẪN NÀY.

⚠ CẢNH BÁO:

KHÔNG được để sự thoải mái hay quen thuộc với sản phẩm (có được do sử dụng nhiều lần) thay thế việc tuân thủ nghiêm ngặt các quy định về an toàn dành cho sản phẩm này. **VIỆC DÙNG SAI** hoặc không tuân theo các quy định về an toàn được nêu trong tài liệu hướng dẫn này có thể dẫn đến thương tích cá nhân nghiêm trọng.

HƯỚNG DẪN QUAN TRỌNG VỀ AN TOÀN

ENC007-6

DÀNH CHO HỘP PIN

1. **Trước khi sử dụng hộp pin, hãy đọc tất cả hướng dẫn và ký hiệu cảnh báo trên (1) bộ sạc pin, (2) pin và (3) sản phẩm dùng pin.**
2. **Không tháo rời hộp pin.**
3. **Nếu thời gian vận hành ngắn hơn quá mức, hãy ngừng vận hành ngay lập tức.** Điều này có thể dẫn đến rùi rò quá nhiệt, có thể gây bỏng và thậm chí là nổ.
4. **Nếu chất điện phân rơi vào mắt, hãy rửa sạch bằng nước sạch và đến cơ sở y tế ngay lập tức.** Chất này có thể khiến bạn giảm thị lực.
5. **Không để hộp pin ở tình trạng đoản mạch:**
 - (1) Không chạm vào cực pin bằng vật liệu dẫn điện.
 - (2) Tránh cất giữ hộp pin trong hộp có các vật kim loại khác như đinh, tiền xu, v.v...
 - (3) Không để hộp pin dính nước hoặc ngoài trời mưa.

Đoản mạch pin có thể gây ra dòng điện lớn, quá nhiệt, có thể gây bỏng và thậm chí là hỏng hóc.
6. **Không cất giữ dụng cụ và hộp pin ở nơi nhiệt độ có thể lên tới hoặc vượt quá 50°C (122°F).**
7. **Không đốt hộp pin ngay cả khi hộp pin đã bị hư hại nặng hoặc hư hỏng hoàn toàn.** Hộp pin có thể nổ khi tiếp xúc với lửa.
8. **Hãy cẩn trọng không làm rơi hoặc làm méo pin.**
9. **Không sử dụng pin đã hỏng.**

LƯU GIỮ CÁC HƯỚNG DẪN NÀY.

Mẹo duy trì tuổi thọ tối đa cho pin

1. **Sạc pin trước khi hết pin.**
Luôn ngừng vận hành dụng cụ và sạc pin khi bạn thấy dụng cụ bị yếu pin.
2. **Không bao giờ sạc lại pin khi hộp pin đã được sạc đầy.**
Sạc quá mức sẽ làm giảm tuổi thọ của pin.
3. **Sạc pin ở nhiệt độ phòng 10°C - 40°C (50°F - 104°F).** Để cho hộp pin nóng nguội trước khi sạc.

MÔ TẢ CHỨC NĂNG

⚠ THẬN TRỌNG:

- Luôn đảm bảo rằng dụng cụ đã được tắt và hộp pin đã được tháo trước khi điều chỉnh hoặc kiểm tra chức năng trên dụng cụ.

Lắp hoặc tháo hộp pin (Hình 8)

- Luôn tắt dụng cụ trước khi lắp hoặc tháo hộp pin.
- Để tháo hộp pin, kéo hộp pin ra khỏi dụng cụ đồng thời nhấn các nút ở hai bên hộp pin.
- Để lắp hộp pin, giữ hộp pin sao cho phần trước của hộp pin vừa với phần cửa lắp đặt của hộp pin và thả hộp pin vào vị trí. Phải đưa pin vào cho đến khi hộp pin khớp vào vị trí với một tiếng lách cách nhỏ. Nếu không, pin có thể bất ngờ văng ra khỏi dụng cụ, gây thương tích cho bạn hoặc người xung quanh.

- Không dùng lực khi lắp hộp pin. Nếu hộp pin không trượt vào để dàng thì có nghĩa là pin đang được lắp không đúng cách.

Hệ thống bảo vệ pin

Dụng cụ được trang bị hệ thống bảo vệ, tự động ngắt dòng điện để giúp kéo dài tuổi thọ của máy.

Dụng cụ ngừng hoạt động khi dụng cụ và/hoặc pin ở trong tình trạng sau. Điều này là do sự kích hoạt hệ thống bảo vệ chứ không phải do dụng cụ gặp trục trặc.

- Khi dụng cụ quá tải:
Lúc này, nhà bộ khởi động công tắc và xử lý các nguyên nhân gây quá tải rồi kéo lại bộ khởi động công tắc để khởi động lại.
- Khi lượng pin còn lại thấp:
Sạc lại hộp pin.

Điều chỉnh độ sâu cắt (Hình 9)

⚠ THẬN TRỌNG:

- Sau khi điều chỉnh độ sâu cắt, luôn vặn chặt vít kẹp. Nới lỏng vít kẹp trên thanh dẫn độ sâu và di chuyển bệ lên hoặc xuống. Ở độ sâu cắt mong muốn, cố định bệ bằng cách vặn chặt vít kẹp.
- Để đường của bệ thẳng và an toàn hơn, điều chỉnh độ sâu cắt sao cho không quá một răng của nhỏ ra bên dưới phôi gia công. Sử dụng độ sâu cắt chính xác giúp giảm khả năng xảy ra các HIỆN TƯỢNG BẬT NGƯỢC LẠI nguy hiểm có thể gây thương tích cá nhân.

Cửa vát (Hình 10)

Nới lỏng vít kẹp trên đĩa chia độ vát ở trước bệ. Điều chỉnh góc mong muốn ($0^\circ - 45^\circ$) bằng cách nghiêng đĩa tương ứng, sau đó vặn chặn vít kẹp.

Ngắt đường của (Hình 11)

Đặt cửa thẳng, giống vị trí A ở phía trước bệ thẳng hàng với đường của cửa bạn. Để cửa vát 45° , giống vị trí B thẳng hàng với đường của.

Hoạt động của công tắc (Hình 12)

⚠ THẬN TRỌNG:

- Trước khi lắp hộp pin vào dụng cụ, luôn kiểm tra xem bộ khởi động công tắc có khởi động đúng và trở về vị trí "TẮT" khi được nhả ra hay không.
- Không kéo bộ khởi động công tắc mạnh mà không ấn vào lẫy khoá. Điều này có thể gây hỏng công tắc.

Lấy khoá được trang bị để ngăn bộ khởi động công tắc bị kéo vô tình. Để khởi động dụng cụ, đẩy nhẹ lẫy khoá và kéo bộ khởi động công tắc. Nhả bộ khởi động công tắc để dừng.

⚠ CẢNH BÁO:

- Để an toàn cho bạn, dụng cụ này được trang bị lẫy khoá giúp ngăn dụng cụ bị khởi động vô tình. **KHÔNG BAO GIỜ** sử dụng dụng cụ này nếu dụng cụ chạy khi bạn chỉ kéo bộ khởi động công tắc mà không ấn lẫy khoá. Gửi lại dụng cụ cho trung tâm bảo trì Makita để sửa chữa **TRƯỚC KHI** tiếp tục sử dụng.

- **KHÔNG BAO GIỜ** buộc hay làm sai mục đích và chức năng của lẫy khoá.

QUÁ TRÌNH LẮP RÁP

⚠ THẬN TRỌNG:

- Luôn chắc chắn rằng dụng cụ đã được tắt nguồn và hộp pin đã được tháo ra trước khi thực hiện bất kỳ công việc nào trên dụng cụ.

Tháo hoặc lắp lưỡi của (Hình 13)

⚠ THẬN TRỌNG:

- Đảm bảo lắp lưỡi của có răng của hướng lên trên ở phía trước của dụng cụ.
- Chỉ sử dụng cờ lê Makita để lắp hoặc tháo lưỡi của. Để tháo lưỡi của, ấn hết khoá trục sao cho lưỡi của không thể quay và sử dụng cờ lê để vặn lỏng bu lông lục giác theo chiều ngược chiều kim đồng hồ. Sau đó tháo bu lông sáu cạnh, vành ngoài và lưỡi của.

(Hình 14)

Để lắp lưỡi của, hãy làm ngược lại quy trình tháo. **ĐẢM BẢO VẮN CHẶT BU LÔNG LỤC GIÁC THEO CHIỀU KIM ĐỒNG HỒ. (Hình 15)**

CHÚ Ý:

- Nếu vành trong vô tình bị tháo ra, hãy lắp lại vành trong sao cho phần nhô ra (mặt lớn hơn) quay vào bên trong như được minh hoạ trong hình.

Khi thay lưỡi của, cũng hãy nhớ lau sạch mùn của tích tụ ở phần bảo vệ trên và dưới lưỡi của. Tuy nhiên, làm như vậy cũng không thay thế được việc cần phải kiểm tra hoạt động của phần bảo vệ dưới trước mỗi lần sử dụng.

Cắt giữ cờ lê sáu cạnh (Hình 16)

Khi không sử dụng, cắt giữ cờ lê sáu cạnh như được minh hoạ trong hình để tránh làm mất.

Nối với máy hút bụi (Hình 17 & 18)

Khi bạn muốn thực hiện thao tác của một cách sạch sẽ, hãy nối máy hút bụi Makita với dụng cụ của bạn. Lắp ống phun mát của (phụ tùng) trên dụng cụ bằng vít. Sau đó, nối ống của máy hút bụi với ống phun mát của như được minh hoạ trong hình.

VẬN HÀNH

⚠ THẬN TRỌNG:

- Đảm bảo di chuyển dụng cụ nhẹ nhàng về phía trước theo một đường thẳng. Ấn mạnh hoặc làm xoắn dụng cụ sẽ dẫn đến động cơ quá nhiệt và hiện tượng bật ngược lại nguy hiểm, có thể gây thương tích nghiêm trọng.

CHÚ Ý:

- Khi nhiệt độ của hộp pin thấp, dụng cụ có thể không hoạt động hết công suất.
- Ví dụ: Tại thời điểm này, hãy sử dụng dụng cụ để thực hiện thao tác của nhẹ nhàng trong một khoảng thời gian cho tới khi hộp pin ấm lên bằng với nhiệt độ phòng. Sau đó, dụng cụ có thể hoạt động hết công suất. **(Hình 19)**

Cắm chắc dụng cụ. Dụng cụ được cung cấp cùng với cả tay nắm trước (vô động cơ) và tay cầm sau. Sử

dụng cụ hai để nắm dụng cụ chắc nhất. Nếu cầm của bằng cả hai tay thì lưỡi của sẽ không thể cắt vào tay. Đặt bệ lên phôi gia công chuẩn bị của mà không để lưỡi của có bất kỳ tiếp xúc nào. Sau đó bắt dụng cụ và chờ cho tới khi lưỡi của đạt đến tốc độ tối đa. Giữ chỉ cần di chuyển dụng cụ về phía trước qua bề mặt phôi gia công, giữ dụng cụ ngang bằng và chuyển động nhẹ nhàng về phía trước cho tới khi của xong. Để có đường của bên thẳng, giữ cho đường của thẳng và tốc độ chuyển động tiến không thay đổi. Nếu đường của không theo đúng đường của mà bạn đã định, đừng cố đổi hướng hoặc bắt dụng cụ trở lại đường của đó. Làm như vậy có thể bó kẹt lưỡi của và dẫn tới hiện tượng bật ngược lại nguy hiểm và có thể xảy ra thương tích nghiêm trọng. Nhả công tắc, chờ cho lưỡi của dừng, sau đó rút dụng cụ ra. Đặt thẳng lại dụng cụ trên đường của mới và bắt đầu của lại. Cố tránh đứng ở vị trí mà các mấu gỗ nhỏ và mặt của từ của có thể bắn vào người vận hành. Sử dụng thiết bị bảo vệ mặt để tránh thương tích.

Thanh cũ (Thước dẫn) (phụ tùng tùy chọn) (Hình 20)

Thanh cũ dễ sử dụng cho phép bạn thực hiện những đường của thẳng chính xác hơn. Chỉ cần trượt thanh cũ một cách thoải mái áp với cạnh của phôi gia công và cố định nó bằng vít ở phía trước bệ. Ngoài ra, thanh cũ có thể giúp tạo ra các đường của lặp lại với độ rộng đồng đều.

BẢO DƯỠNG

THẬN TRỌNG:

- Luôn chắc chắn rằng bạn đã tắt nguồn và tháo pin của dụng cụ ra trước khi thực hiện kiểm tra hoặc bảo trì.
- Không bao giờ dùng xăng, ét xăng, dung môi, cồn hoặc hóa chất tương tự. Có thể xảy ra hiện tượng mất màu, biến dạng hoặc nứt vỡ.

Để duy trì ĐỘ AN TOÀN và ĐỘ TIN CẬY của sản phẩm, việc sửa chữa, bảo dưỡng hoặc bất kỳ điều chỉnh nào khác đều phải do Trung tâm Bảo trì Được ủy quyền của Makita thực hiện, luôn sử dụng các bộ phận thay thế của Makita.

PHỤ TÙNG

THẬN TRỌNG:

- Các phụ tùng hoặc phụ kiện này được khuyến nghị sử dụng với dụng cụ Makita của bạn được chỉ định trong tài liệu này. Việc sử dụng bất kỳ phụ tùng hoặc phụ kiện nào khác có thể dẫn đến rủi ro thương tích cho con người. Chỉ sử dụng phụ tùng hoặc phụ kiện với mục đích được nêu.

Nếu bạn cần bất kỳ sự hỗ trợ nào để biết thêm chi tiết về các phụ tùng này, hãy hỏi Trung tâm Bảo trì Makita tại địa phương của bạn.

- Lưỡi của
- Thanh cũ (Thước dẫn)
- Cờ lê sáu cạnh số 4
- Ống phun mặt của
- Có nhiều loại pin và bộ sạc pin Makita chính hãng

คำอธิบายของมุมมองทั่วไป

1. ดับเบิ้ลแบตเตอรี่	7. คันลีด	13. ไบเลื่อย
2. ปุ่ม	8. ไกสวิตช์	14. ขอบด้านใน
3. สกรูยึด	9. ตัวลีดคเพลา	15. ส่วนที่ยื่นออกมา
4. แนววัดความลึก	10. ประแจหกเหลี่ยม	16. ส่วนที่ยื่นออกมา (ด้านที่ใหญ่กว่า)
5. แผ่นสเกลวัดมุมเฉียง	11. ไบลดัทหกเหลี่ยม	17. หัวยึดกำลังคู่ (อุปกรณ์เสริม)
6. แนวการตัด	12. ขอบด้านนอก	18. สกรู

ข้อมูลทางเทคนิค

รุ่น	HS300D	
เส้นผ่าศูนย์กลางไบเลื่อย	85 มม	
ความลึกการตัดสูงสุด	ที่ 90°	25.5 มม
	ที่ 45°	16.5 มม
ความเร็วขณะไม่ได้ใช้งาน (นาที่ ⁻¹)	1,400	
ความยาวทั้งหมด	300 มม	
น้ำหนักสุทธิ	1.5 กก	
อัตราแรงดันไฟฟ้า	D.C. 10.8 V	

- เนื่องจากจากวิจัยและการพัฒนาของเราเป็นแผนงานต่อเนื่อง ดังนั้นข้อมูลเทคนิคที่ระบุในเอกสารนี้อาจมีการเปลี่ยนแปลงโดยไม่ต้องแจ้งให้ทราบล่วงหน้า
- ข้อมูลเทคนิคและดัดแปลงแบตเตอรี่อาจแตกต่างกันในแต่ละประเทศ
- น้ำหนักพร้อมแบตเตอรี่ตามข้อบังคับของ EPTA 01/2003

สัญลักษณ์ END004-4

ต่อไปนี้เป็นสัญลักษณ์ที่ใช้สำหรับอุปกรณ์ โปรดศึกษาความหมายของสัญลักษณ์ให้เข้าใจก่อนการใช้งาน



.....อ่านคู่มือการใช้งาน

วัตถุประสงค์การใช้งาน ENE028-1

เครื่องมือนี้ผลิตขึ้นเพื่อใช้ในการตัดไม้เป็นเส้นตรงในแนวขวางและแนวยาว รวมถึงการตัดบากเป็นมุมต่างๆ เมื่อเครื่องมือแนบสนิทกับชิ้นงาน

คำเตือนด้านความปลอดภัยสำหรับเครื่องมือไฟฟ้าทั่วไป

GEA006-2

⚠ คำเตือน อ่านคำเตือนด้านความปลอดภัยและคำแนะนำทั้งหมด การไม่ปฏิบัติตามคำเตือนและคำแนะนำดังกล่าวอาจส่งผลให้เกิดไฟฟ้าช็อต ไฟไหม้ และ/หรือได้รับบาดเจ็บอย่างร้ายแรง

เก็บรักษาคำเตือนและคำแนะนำทั้งหมดไว้เป็นข้อมูลอ้างอิงในอนาคต

คำว่า "เครื่องมือไฟฟ้า" ในคำเตือนนี้ หมายถึง เครื่องมือไฟฟ้า (มีสาย) ที่ทำงานโดยใช้กระแสไฟฟ้า หรือเครื่องมือไฟฟ้า (ไร้สาย) ที่ทำงานโดยใช้แบตเตอรี่

ความปลอดภัยของพื้นที่ทำงาน

- ดูแลพื้นที่ทำงานให้มีความสะอาดและมีแสงไฟสว่าง พื้นที่รก กระจกกระจกหรือมิดที่บอบบางนำไปสู่การเกิดอุบัติเหตุได้
- อย่าใช้งานเครื่องมือไฟฟ้าในสภาพที่อาจเกิดการระเบิด เช่น ในสถานที่ที่มีของเหลว ก๊าซ หรือฝุ่นผงที่มีคุณสมบัติไวไฟ เครื่องมือไฟฟ้าจะสร้างประกายไฟเพื่อจุดชนวนฝุ่นผงหรือก๊าซดังกล่าว
- ดูแลไม่ให้มีเด็ก ๆ หรือบุคคลอื่นอยู่ในบริเวณที่กำลังใช้เครื่องมือไฟฟ้า การมีสิ่งรบกวนสมาธิอาจทำให้คุณสูญเสียการควบคุม

ความปลอดภัยด้านไฟฟ้า

- ปลั๊กของเครื่องมือไฟฟ้าต้องพอดีกับเต้ารับ อย่าดัดแปลงปลั๊ก ไม่ว่าจะกรณีใด ๆ อย่าใช้ปลั๊กอะแดปเตอร์กับเครื่องมือไฟฟ้าที่ต่อสายดิน (กราวด์) ปลั๊กที่ไม่ถูกดัดแปลงและเต้ารับไฟที่เข้ากันพอดี จะช่วยลดความเสี่ยงของการเกิดไฟฟ้าช็อต
- ระวังอย่าให้ร่างกายสัมผัสกับพื้นผิวที่ต่อสายดิน เช่น ท่อ เครื่องนำความร้อน เครื่องใช้ไฟฟ้าในครัว และตู้เย็น มีความเสี่ยงที่จะเกิดไฟฟ้าช็อตสูงขึ้น หากร่างกายของคุณสัมผัสกับพื้น
- อย่าให้เครื่องมือไฟฟ้าถูกน้ำหรืออยู่ในสภาพเปียกชื้น น้ำที่ไหลเข้าไปในเครื่องมือไฟฟ้าจะเพิ่มความเสี่ยงของการเกิดไฟฟ้าช็อต
- อย่าใช้สายไฟอย่างไม่เหมาะสม อย่าใช้สายไฟที่เพี้ยน ดึง หรือถอดปลั๊กเครื่องมือไฟฟ้า ให้แยกสายไฟให้ห่างจากความร้อน น้ำมัน ของมีคม หรือชิ้นส่วนที่เคลื่อนที่ สายที่ชำรุดหรือพันกัน จะเพิ่มความเสี่ยงของการเกิดไฟฟ้าช็อต

- ขณะที่ใช้งานเครื่องมือไฟฟ้านอกอาคาร ควรใช้สายต่อพ่วงที่เหมาะสมกับงานนอกอาคารจะลดความเสี่ยงของการเกิดไฟฟ้าช็อต
- หากต้องใช้งานเครื่องมือไฟฟ้าในสถานที่เปียกชื้น ให้ใช้เครื่องตัดไฟฟ้าเร็ว (GFCI) สำหรับป้องกันไฟดูด การใช้ GFCI จะลดความเสี่ยงของการเกิดไฟฟ้าช็อต

ความปลอดภัยส่วนบุคคล

- ให้ระมัดระวัง และสังเกตเสมอว่าคุณกำลังทำอะไรอยู่ และใช้สามัญสำนึกในขณะที่ใช้งานเครื่องมือไฟฟ้า อย่าใช้งานเครื่องมือไฟฟ้าในขณะที่คุณกำลังเหนื่อย หรือในสภาพที่มีเมฆากายาเสพติด เครื่องดื่มแอลกอฮอล์ หรือการใช้ยา ช่วงเวลาที่ขาดความระมัดระวังเมื่อกำลังใช้งานเครื่องมือไฟฟ้าอาจทำให้คุณได้รับบาดเจ็บอย่างรุนแรง
- ใช้อุปกรณ์ป้องกันส่วนบุคคล สวมแว่นตาป้องกันเสมอ อุปกรณ์ป้องกัน เช่น หน้ากากกันฝุ่น รองเท้ากันภัยกันลื่น หมวกกันภัย หรือเครื่องป้องกันการได้ยินที่ใช้ในสภาพที่เหมาะสมจะช่วยลดการบาดเจ็บ
- ป้องกันไม่ให้เปิดใช้งานอย่างไม่ตั้งใจ ตรวจสอบว่าสวิตช์อยู่ในตำแหน่งปิดก่อนเชื่อมต่อกับแหล่งจ่ายไฟ และ/หรือชุดแบตเตอรี่ หรือก่อนการยกหรือถือเครื่องมือ การถอดนิ้วมือบริเวณสวิตช์เพื่อถือเครื่องมือไฟฟ้า หรือการชาร์จไฟเครื่องมือไฟฟ้า ในขณะที่เปิดสวิตช์อยู่อาจนำไปสู่การเกิดอุบัติเหตุ
- นำอุปกรณ์ปรับแต่งหรือปรับแต่งออกก่อนที่จะเปิดเครื่องมือไฟฟ้า ประแจหรือกุญแจที่เสียบค้างอยู่ในชิ้นส่วนที่หมุนได้ของเครื่องมือไฟฟ้าอาจทำให้คุณได้รับบาดเจ็บ
- อย่าทำงานในระยะที่สุดอ้อม จัดท่าการยืนและการทรงตัวให้เหมาะสมตลอดเวลา เพราะจะทำให้ควบคุมเครื่องมือไฟฟ้าได้ดีขึ้นในสถานการณ์ที่ไม่คาดคิด
- แต่งกายให้เหมาะสม อย่าสวมเครื่องแต่งกายที่หลวมเกินไป หรือสวมเครื่องประดับ ดูแลไม่ให้เส้นผม เสื้อผ้า และถุงมืออยู่ใกล้ชิ้นส่วนที่เคลื่อนที่ เลือผ้าคลุมร่างกาย เครื่องประดับ หรือหมวกที่มีความยาวอาจเข้าไปติดในชิ้นส่วนที่เคลื่อนที่
- หากมีการจัดอุปกรณ์สำหรับดูดและจับฝุ่นไว้ในสถานที่ ให้ตรวจสอบว่าได้เชื่อมต่อและใช้งานอุปกรณ์นั้นอย่างเหมาะสม การใช้เครื่องดูดและจับฝุ่นจะช่วยลดอันตรายที่เกิดจากฝุ่นผงได้

การใช้และดูแลเครื่องมือไฟฟ้า

- อย่าฝืนใช้เครื่องมือไฟฟ้า ใช้เครื่องมือไฟฟ้าที่เหมาะสมกับการใช้งานของคุณ เครื่องมือไฟฟ้าที่เหมาะสมจะทำให้ได้งานที่มีประสิทธิภาพและปลอดภัยกว่าตามขีดความสามารถของเครื่องที่ได้รับการออกแบบมา
- อย่าใช้เครื่องมือไฟฟ้า หากสวิตช์ไม่สามารถเปิดปิดได้ เครื่องมือไฟฟ้าที่ใช้สวิตช์ควบคุมไม่ได้จัดเป็นอันตรายและต้องได้รับการซ่อมแซม
- ถอดปลั๊กจากแหล่งจ่ายไฟ และ/หรือชุดแบตเตอรี่ออกจากเครื่องมือไฟฟ้าก่อนทำการปรับแต่ง เปลี่ยนอุปกรณ์เสริม หรือจัดเก็บเครื่องมือไฟฟ้า วิธีการป้องกันด้านความปลอดภัยดังกล่าวจะช่วยลดความเสี่ยงของการเปิดใช้งานเครื่องมือไฟฟ้าอย่างไม่ตั้งใจ

- จัดเก็บเครื่องมือไฟฟ้าที่ไม่ได้ใช้งานให้ห่างจากมือเด็ก และอย่าอนุญาตให้บุคคลที่ไม่คุ้นเคยกับเครื่องมือไฟฟ้าหรือคำแนะนำเหล่านี้ใช้งานเครื่องมือไฟฟ้า เครื่องมือไฟฟ้าจะเป็นอันตรายเมื่ออยู่ในมือของผู้ที่ไม่ได้รับการฝึกอบรม
- การดูแลเครื่องมือไฟฟ้า ตรวจสอบการประกอบหรือการเชื่อมต่อนของชิ้นส่วนที่เคลื่อนที่ที่ไม่ถูกต้อง การแตกหักของชิ้นส่วน หรือสภาพอื่น ๆ ที่อาจส่งผลกระทบต่อการทำงานของเครื่องมือไฟฟ้า หากมีความเสียหาย ให้นำเครื่องมือไฟฟ้าไปซ่อมแซมก่อนการใช้งาน อุบัติเหตุจำนวนมากเกิดจากการดูแลรักษาเครื่องมือไฟฟ้าอย่างไม่ถูกต้อง
- ล้างความคมและทำความสะอาดเครื่องมือการตัดอยู่เสมอ เครื่องมือการตัดที่มีการดูแลอย่างถูกต้องและมีขอบการตัดคมมักจะมีปัญหาตัดชิ้นน้อยและควบคุมได้ง่ายกว่า
- ใช้เครื่องมือไฟฟ้า อุปกรณ์เสริม และวัสดุสิ้นเปลือง ฯลฯ ตามคำแนะนำดังกล่าว พิจารณาสภาพการทำงานและงานที่จะลงมือทำ การใช้เครื่องมือไฟฟ้าเพื่อทำงานอื่นนอกเหนือจากที่กำหนดไว้อาจทำให้เกิดอันตราย

การใช้และการดูแลเครื่องมือที่ใช้แบตเตอรี่


- ชาร์จไฟด้วยแท่นชาร์จที่ระบุโดยผู้ผลิตเท่านั้น แท่นชาร์จที่ใช้งานได้กับชุดแบตเตอรี่ประเภทหนึ่งอาจมีความเสี่ยงในการเกิดไฟไหม้ขึ้นเมื่อใช้กับชุดแบตเตอรี่ประเภทอื่น
- ใช้เครื่องมือไฟฟ้ากับชุดแบตเตอรี่ที่ได้รับการออกแบบมาโดยเฉพาะ การใช้ชุดแบตเตอรี่ประเภทอื่นอาจทำให้ได้รับบาดเจ็บและเกิดไฟไหม้ได้
- เมื่อไม่ได้ใช้งานชุดแบตเตอรี่ ให้เก็บไว้ในห่างจากวัตถุโลหะอื่น ๆ เช่น คลิปหนีบกระดาษ เหรียญ กุญแจ ตะปู สกรู หรือวัตถุโลหะขนาดเล็กอื่น ๆ ที่อาจทำการเชื่อมต่อกับขั้วหนึ่งไปยังอีกขั้วหนึ่ง การลัดวงจรขั้วแบตเตอรี่ทั้งสองด้านอาจทำให้ผิวหนังถูกลวกหรือไฟไหม้ได้
- ในสภาพที่เป็นอันตราย อาจมีของเหลวไหลออกมาจากแบตเตอรี่ อย่าสัมผัสของเหลวดังกล่าว หากสัมผัสโดยไม่ตั้งใจ ให้ล้างน้ำออก หากของเหลวนั้นสัมผัสกับดวงตา โปรดไปพบแพทย์เพื่อทำการรักษา ของเหลวที่ไหลออกมาจากแบตเตอรี่อาจทำให้เกิดการระคายเคืองหรือลวกผิวหนังได้

การบำรุงรักษา

- นำเครื่องมือไฟฟ้าเข้ารับบริการจากช่างซ่อมที่ผ่านการรับรองโดยช่างไหลแบบเดียวกันเท่านั้น เพราะจะทำให้การใช้เครื่องมือไฟฟ้ามีความปลอดภัย
- ปฏิบัติตามคำแนะนำในการหล่อลื่นและการเปลี่ยนอุปกรณ์เสริม
- ดูแลมือจับให้แห้ง สะอาด และไม่มันหื่นและจาระบีเปียก

คำเตือนด้านความปลอดภัยของเครื่องเลื่อยวงเดือนไร้สาย

GEB077-2

-  **อันตราย:** ระวังให้มีมืออยู่ห่างจากพื้นที่การตัดและใบเลื่อยในหัวงมื่อชักเข้าไว้ที่มีมือจับสำรอง หรือโรครอบมอเตอร์ หากมีมือทั้งสองข้างถือเครื่องเลื่อยไว้ ใบเลื่อยก็จะไม่สามารถตัดถูกมือได้

2. อย่าเอื้อมมือไปบริเวณข้างใต้ชิ้นงาน อุปกรณ์มีงัดกันไม่สามารรถ บ่อยกันคุณจากไปเสียที่อยู่ใต้ชิ้นงานได้
 3. ปรับความลึกของการตัดให้เข้ากับความหนาของชิ้นงาน ควรมองเห็นพื้นของใบเลื่อยน้อยกว่าความสูงทั้งหมดของพื้นข้างใต้ชิ้นงาน
 4. อย่าจับชิ้นงานที่จะตัดหรือวางชิ้นงานบนบนหน้าขา ยึดชิ้นงานให้แน่นบนฐานรองที่มีความมั่นคง การยึดชิ้นงานไว้อย่างถูกต้องถือเป็นสิ่งสำคัญเพื่อลดการสั่นผัดทางร่างกาย การตัดขัดของใบเลื่อยหรือการสูญเสียการควบคุมให้น้อยที่สุด
- ภาพประกอบของการค้ำยันมือและการยึดชิ้นงานอย่างถูกต้อง (ภาพที่ 1)**
5. **ถือเครื่องมือบริเวณมือจับที่เป็นฉนวนขณะทำงานที่เครื่องมือตัดอาจสัมผัสกับสายไฟที่ซ่อนอยู่** การสัมผัสกับสายไฟที่ "มีกระแสไฟฟ้าไหลผ่าน" อาจทำให้ส่วนที่เป็นโลหะของเครื่องมือไฟฟ้าที่ไม่มีฉนวนหุ้ม "มีกระแสไฟฟ้าไหลผ่าน" และทำให้ผู้ปฏิบัติงานถูกไฟฟ้าช็อตได้
 6. ในขณะที่ตัดไม้ใช้จากหรือแนวข้อที่ เป็นเส้นตรงเสมอ วิธีนี้จะช่วยทำให้การตัดมีความแม่นยำขึ้นและลดโอกาสการติดขัดของใบเลื่อย
 7. ใช้ใบเลื่อยที่มีขนาดและรูปทรง (ทรงสี่เหลี่ยมข้าวหลามตัด และทรงกลม) ที่เหมาะสมกับรูปแกนกลางเสมอ ใบเลื่อยที่มีขนาดไม่ตรงกับอุปกรณ์ประกอบของใบเลื่อยที่ติดตั้งอยู่จะทำงานผิดปกติอันเป็นสาเหตุให้สูญเสียการควบคุม
 8. อย่าใช้แหวนหรือโบลต์ของใบเลื่อยที่ชำรุดเสียหายหรือไม่ถูกต้อง แหวนหรือโบลต์ของใบเลื่อยได้รับการออกแบบขึ้นเป็นพิเศษสำหรับเครื่องเลื่อยของคุณเพื่อการทำงานที่มีประสิทธิภาพและมีความปลอดภัยสูงสุด
 9. **สาเหตุและการป้องกันผู้ใช้งานการติดกลับของเครื่อง:**
 - การติดกลับ คือ ปฏิกริยาสะท้อนกลับที่เกิดขึ้นทันทีจากการกระแทก การเกี่ยว หรือการจัดแนวไม่ตรงของใบเลื่อย ซึ่งเป็นสาเหตุให้เครื่องเลื่อยที่สูญเสียการควบคุมกระดกตัวขึ้นและหลุดออกจากชิ้นงานหันไปทางผู้ปฏิบัติงาน
 - เมื่อใบเลื่อยกระทบหรือเกี่ยวอย่างแรงในขณะที่ใช้กำลังยัดใบเลื่อยจะหยุดการทำงานทันที และปฏิกริยาของมอเตอร์จะผลักดันให้เครื่องสะท้อนกลับไปยังผู้ปฏิบัติงานอย่างรวดเร็ว
 - หากใบเลื่อยบิดเป็นเกลียวหรือไม่ตรงแนวการตัด พื้นผิวของด้านหลังของใบเลื่อยจะกินเข้าไปยังพื้นผิวด้านบนของเนื้อไม้ซึ่งจะทำให้ใบเลื่อยบินออกมาจากรอยตัดและติดกลับไปยังผู้ปฏิบัติงาน

การติดกลับคือผลจากการใช้งานเครื่องเลื่อยผิดวัตถุประสงค์ และ/หรือขั้นตอนหรือสภาพการปฏิบัติงานไม่ถูกต้อง แต่สามารถหลีกเลี่ยงได้หากมีมาตรการป้องกันที่เหมาะสมต่อไปนี้

 - ใช้มือทั้งสองข้างถือมือจับบนเครื่องเลื่อยให้มั่นคงและจัดตำแหน่งแขนของคุณให้สามารถต้านทานแรงติดกลับได้ จัดตำแหน่งร่างกายของคุณให้อยู่ด้านข้างด้านใดด้านหนึ่งของใบเลื่อย แต่ต้องไม่อยู่ในแนวเดียวกับใบเลื่อย การติดกลับอาจเป็นสาเหตุให้เครื่องเลื่อยสะท้อนกลับทางด้านหลัง แต่ผู้ปฏิบัติงานสามารถควบคุมแรงของการติดกลับได้ หากมีมาตรการป้องกันที่เหมาะสม
- เมื่อใบเลื่อยติดขัด หรือเมื่อการตัดหยุดชะงักด้วยเหตุใดเหตุหนึ่ง ให้คลายไกสวิตช์และถือเครื่องเลื่อยขณะอยู่ในชิ้นงานไว้โดยไม้เคลื่อนไหว จนกว่าใบเลื่อยจะหยุดหมุนจนสนิท อย่าพยายามถอนเครื่องเลื่อยออกจากชิ้นงาน หรือดึงเครื่องกลับในขณะที่ใบเลื่อยกำลังหมุนอยู่ มิฉะนั้นอาจเกิดการติดกลับขึ้น ควรตรวจสอบและดำเนินการแก้ไขอย่างถูกต้องเพื่อขจัดสาเหตุการติดขัดของใบเลื่อยได้
 - เมื่อเริ่มการทำงานเครื่องเลื่อยที่อยู่ในชิ้นงานอีกครั้ง จัดตำแหน่งใบเลื่อยให้อยู่ตรงกลางรอยตัด และตรวจสอบว่าพื้นเลื่อยไม่ไถกินเข้าไปในชิ้นงาน หากใบเลื่อยติดขัด ใบเลื่อยอาจเป็นขึ้นหรือติดกลับจากชิ้นงานในขณะที่เครื่องเลื่อยเริ่มทำงานใหม่
 - การค้ำแผ่นไม้ที่มีขนาดใหญ่จะช่วยลดความเสี่ยงของการติดขัดและการติดกลับของใบเลื่อย แผ่นไม้ขนาดใหญ่มักกักท้องข้างเนื่องจากน้ำหนักของมัน ดังนั้นจะต้องมีการค้ำข้างได้ แผ่นไม้ทั้งสองด้าน โกลัแนวการตัดและใกล้ขอบของแผ่นไม้ไม่ในการหลีกเลี่ยงการติดกลับ
- อย่าค้ำแผ่นไม้หรือแผ่นไม้ใกล้แนวตัด (ภาพที่ 2)**
- อย่าค้ำแผ่นไม้หรือแผ่นไม้ให้ไกลจากแนวตัด (ภาพที่ 3)**
- อย่าใช้ใบเลื่อยที่ทื่อหรือชำรุดเสียหาย ใบเลื่อยที่ไม่คมหรือไม่อยู่ในสภาพที่เหมาะสมจะทำให้รอยตัดแคบ ซึ่งเป็นสาเหตุให้เกิดการเสียดสีมากขึ้นไป การติดขัดของใบเลื่อย และการติดกลับ
 - ความลึกของใบเลื่อยและแกนลึอกปรับมุมเฉียงต้องถูกยึดให้แน่นก่อนทำการตัด หากการปรับใบเลื่อยเลื่อนตำแหน่งในขณะที่ตัด อาจทำให้เกิดการติดขัดและการติดกลับได้
 - ใช้ความระมัดระวังเป็นพิเศษ เมื่อทำ "การตัดช่อง" ในผนังที่มีอยู่เดิมหรือในพื้นที่ตามอาคาร ๆ ใบเลื่อยที่ไหลออกมาอาจติดถูกวัตถุต่างๆ ที่เป็นสาเหตุของการติดกลับได้
10. **ตรวจสอบเครื่องป้องกันด้านล่างว่าครอบปิดอย่างเหมาะสมแล้ว** ก่อนการใช้งาน อย่าใช้งานเครื่องเลื่อย หากเครื่องป้องกันด้านล่างไม่สามารถเคลื่อนที่อย่างอิสระและปิดได้ทันที อย่ายึดหรือผูกเครื่องป้องกันด้านล่างไว้ในตำแหน่งเปิด หากเครื่องเลื่อยตกลงพื้นด้วยอุบัติเหตุ เครื่องป้องกันด้านล่างอาจโค้งงอได้ ยกเครื่องป้องกันด้านล่างขึ้นด้วยกรรจนมือจับ และตรวจสอบให้มั่นใจว่าเครื่องป้องกันนี้เคลื่อนไหวอย่างอิสระ และไม่สัมผัสกับใบเลื่อยหรือชิ้นส่วนอื่นๆ สำหรับการตัดที่มุมและความลึกทุกระดับ
 11. **ตรวจสอบการทำงานของสปริงเครื่องป้องกันด้านล่าง** หากเครื่องป้องกันและสปริงทำงานไม่ถูกต้อง ต้องมีการบำรุงรักษา อุปกรณ์ดังกล่าวก่อนการใช้งาน เครื่องป้องกันด้านล่างอาจทำงานได้ไม่เต็มที่เนื่องจากชิ้นส่วนที่ชำรุดเสียหาย การระดมของงาเหนียวหรือเศษวัสดุ
 12. **ผู้ใช้ควรยึดเครื่องป้องกันด้านล่างด้วยตนเองเมื่อทำการตัดแบบพิเศษ** เช่น "การตัดเฉียง" และ "การตัดมุมผสม" ยกเครื่องป้องกันด้านล่างขึ้นโดยการดึงมือจับกลับ และทันทีที่ใบเลื่อยตัดเข้าไปในเนื้อไม้ ต้องปล่อยเครื่องป้องกันด้านล่างสำหรับเลื่อยแบบอื่นๆ ควรใช้เครื่องป้องกันด้านล่างในระบบอัตโนมัติ

13. ให้สังเกตทุกครั้งว่าเครื่องป้องกันด้านล่างได้ครอบใบเลื่อยอยู่ก่อนที่จะวางเครื่องเลื่อยลงบนมันั่งหรือพื้น ใบเลื่อยที่หมุนโดยไม่มีเครื่องป้องกันจะทำให้เครื่องเลื่อยติดกลับ หรือติดสิ่งต่างๆ ที่อยู่ในระยะของการตัด รมัควระวังในช่วงเวลาที่ใบเลื่อยจะหยุดการทำงานหลังจากปล่อยโกสวิตช์
14. ถือเครื่องมืออย่างมั่นคงด้วยมือทั้งสองข้างเสมอ อย่าวางมือหรือนิ้วของคุณไว้ด้านหลังเครื่องเลื่อย หากเกิดการติดกลับขึ้น เครื่องเลื่อยอาจจะสะท้อนกลับเข้าหามือของคุณได้ง่าย ซึ่งจะทำให้ผู้ใช้ได้รับบาดเจ็บสาหัส (ภาพที่ 4)
15. อย่าฝืนใช้เครื่องเลื่อย ดันเครื่องเลื่อยไปข้างหน้าด้วยความเร็วเพื่อให้ใบเลื่อยตัดโดยไม่มีการผ่อนให้ช้าลง การฝืนใช้เครื่องเลื่อยอาจทำให้การตัดไม่สม่ำเสมอ ไม่แม่นยำ และอาจเกิดการติดกลับได้
16. ใช้ความระมัดระวังเป็นพิเศษเมื่อตัดไม้ที่มีความชื้น ไม้อัดแปรรูป หรือไม้ที่มีตาไม้อยู่ด้วย ปรับความเร็วของการตัดเพื่อให้เครื่องมือเคลื่อนที่ไปข้างหน้าอย่างราบรื่นโดยไม่ต้องลดความเร็วของใบเลื่อยลง
17. อย่าพยายามนำวัสดุที่ทำการตัดออกในขณะที่ใบเลื่อยกำลังหมุนอยู่ รอจนกว่าใบเลื่อยจะหยุดสนิทก่อนที่จะจับวัสดุที่ทำการตัด ข้อควรระวัง: ใบเลื่อยจะยังหมุนอยู่หลังจากปิดสวิตช์
18. ระวังอย่าให้ตัดโค่นตะปู ตรวจสอบว่าได้ถอนตะปูทั้งหมดออกจากแผ่นไม้แล้วก่อนการตัด
19. วางฐานรองเครื่องเลื่อยส่วนที่กว้างกว่าไว้บนส่วนของชิ้นงานด้านที่ถูกยึดไว้อย่างแน่นหนา ไม้ไขว้วางไว้บนส่วนที่จะตกลงไป เมื่อทำการตัด ตามตัวอย่าง ภาพที่ 5 แสดงให้เห็นถึงวิธีที่ถูกต้องในการตัดด้านปลายของแผ่นไม้ และภาพที่ 6 คือวิธีที่ผิด หากชิ้นงานมีขนาดสั้นหรือเล็ก ให้ยึดชิ้นงานไว้ให้แน่น อย่าใช้มือจับชิ้นงานที่มีขนาดสั้นเด็ดขาด! (ภาพที่ 5 และ 6)
20. ก่อนที่จะวางเครื่องมือลงหลังจากการตัดเสร็จสิ้นแล้ว ให้ตรวจสอบว่าเครื่องป้องกันด้านล่างครอบปิดเรียบร้อย และใบเลื่อยหยุดหมุนจนสนิทแล้ว
21. อย่าพยายามใช้เครื่องเลื่อยงัดติดในตำแหน่งกลับหัวจากด้านบนลงด้านล่าง นี่คือสิ่งที่อันตรายอย่างมาก และอาจทำให้เกิดอุบัติเหตุที่รุนแรงได้ (ภาพที่ 7)
22. วัสดุบางอย่างอาจมีสารเคมีที่เป็นพิษ ระวังอย่าสูดดมฝุ่นหรือให้สารเหล่านี้สัมผัสกับร่างกาย ปฏิบัติตามข้อมูลด้านความปลอดภัยของผู้ผลิตวัสดุ
23. อย่าหยุดการทำงานของใบเลื่อยโดยการใช้แรงกดที่ด้านข้างของใบเลื่อย
24. ใช้ใบเลื่อยที่แนะนำในคู่มือนี้เสมอ อย่าใช้ใบเจียประเภทต่าง ๆ
25. ดูแลให้ใบเลื่อยมีความคมและสะอาดเสมอ อย่างเหนียวและน้ำมันของไม้ที่แข็งตัวบนใบเลื่อยจะทำให้การเลื่อยช้าลงและเพิ่มความเสียหายของการติดกลับมากขึ้น ดูแลใบเลื่อยให้สะอาดเสมอโดยการนำวัสดุตั้งกล่าวออกจากเครื่องมือ จากนั้นให้ทำความสะอาดโดยใช้น้ำยาล้างยางและน้ำมันไม้ น้ำมัน หรือเครื่องอื่น อย่าใช้น้ำมันเบนซิน
26. สวมหน้ากากกันฝุ่นและอุปกรณ์ป้องกันการได้ยินในขณะที่ใช้งานเครื่องมือ

บันทึกคำแนะนำเหล่านี้

⚠ คำเตือน:

อย่าให้ความไม่ระมัดระวังหรือความคุ้นเคยกับผลิตภัณฑ์ (จากการใช้งานซ้ำหลายครั้ง) อยู่เหนือการปฏิบัติตามกฎเกณฑ์ด้านความปลอดภัยในการใช้งานผลิตภัณฑ์อย่างเคร่งครัด การปฏิบัติอย่างไม่เหมาะสมหรือการไม่ปฏิบัติตามกฎเกณฑ์ด้านความปลอดภัยในคู่มือใช้งานนี้อาจก่อให้เกิดการบาดเจ็บอย่างรุนแรง

คำแนะนำด้านความปลอดภัยที่สำคัญ

ENC007-6

สำหรับตัวลับแบตเตอรี่

1. ก่อนใช้งานตัวลับแบตเตอรี่ โปรดอ่านคำแนะนำและข้อควรระวังทั้งหมดที่ระบุอยู่ใน (1) แท่นชาร์จแบตเตอรี่ (2) แบตเตอรี่ และ (3) ผลิตภัณฑ์ที่ใช้แบตเตอรี่
2. อย่าใช้ตัวลับแบตเตอรี่ที่ถูกแยกชิ้นส่วน
3. หากเวลาการทำงานสั้นเกินไป ให้หยุดการทำงานทันที เพราะอาจทำให้แบตเตอรี่มีความร้อนมากเกินไป อาจเป็นอันตรายจากการลวกผิวหนัง จนถึงเกิดการระเบิดขึ้นได้
4. หากอิเล็กทรอนิกส์เข้าสู่ดวงตา ให้ล้างน้ำออก แล้วไปพบแพทย์ทันที เพราะอาจทำให้ดวงตาของคุณสูญเสียการมองเห็นได้
5. อย่าใส่ตัวจอตลับแบตเตอรี่:
 - (1) อย่าสัมผัสขั้วแบตเตอรี่ที่มีวัสดุนำไฟฟ้า
 - (2) อย่าจัดเก็บตัวลับแบตเตอรี่ในภาชนะที่มีวัสดุโลหะอื่น ๆ เช่น ตะปู เหรียญ ฯลฯ
 - (3) อย่าให้ตัวลับแบตเตอรี่ถูกน้ำหรือฝน
 แบตเตอรี่ที่ลัดวงจรสามารถก่อให้เกิดการไหลเวียนไฟฟ้าในปริมาณมาก มีความร้อนสูงเกินไป มีอันตรายจากการลวกผิวหนัง จนกระทั่งถึงการชั่วคราวเสียหายได้
6. อย่าจัดเก็บเครื่องมือและตัวลับแบตเตอรี่ในสถานที่ที่มีอุณหภูมิสูงเกินกว่า 50°C (122°F)
7. อย่านำตัวลับแบตเตอรี่ไปเผา แม้ว่าตัวแบตเตอรี่จะเสียหายมากหรือเสื่อมสภาพอย่างสิ้นเชิง เพราะตัวลับแบตเตอรี่อาจระเบิดในกองไฟ
8. รมัควระวังอย่าทำให้แบตเตอรี่ร่วงหล่นหรือได้รับการกระทบ
9. อย่าใช้งานอุปกรณ์เสริมที่ชั่วคราวเสียหาย

บันทึกคำแนะนำเหล่านี้

เคล็ดลับในการดูแลรักษาแบตเตอรี่ให้มีอายุการใช้งานสูงสุด

1. ชาร์จตัวลับแบตเตอรี่ก่อนที่จะคายประจุออกจนหมด ให้หยุดการทำงานของเครื่องและชาร์จตัวลับแบตเตอรี่ก่อนเสมอเมื่อคุณสังเกตเห็นว่าพลังงานของเครื่องมือมีน้อยลง
2. อย่าชาร์จตัวลับแบตเตอรี่ที่มีพลังงานเต็มแล้ว การชาร์จตัวลับแบตเตอรี่มากเกินไปจะทำอายุการใช้งานของแบตเตอรี่สั้นลง

3. ชาร์จตัวแบตเตอรี่ให้อุ่นอุณหภูมิห้องระหว่าง 10°C - 40°C (50°F - 104°F) ปล่อยให้ตัวแบตเตอรี่ที่มีความร้อนเย็นลงก่อนที่จะชาร์จ

คำอธิบายการใช้งาน

⚠️ ข้อควรระวัง:

- ตรวจสอบว่าปิดสวิตช์เครื่องและถอดตัวแบตเตอรี่ออกก่อนทำการปรับเปลี่ยนหรือตรวจสอบการทำงานของเครื่อง

การประกอบหรือการถอดตัวแบตเตอรี่ (ภาพที่ 8)

- ปิดสวิตช์เครื่องทุกครั้งก่อนประกอบหรือถอดตัวแบตเตอรี่
- สำหรับการถอดตัวแบตเตอรี่ ให้ถอดตัวแบตเตอรี่ออกจากเครื่องโดยกดปุ่มที่ตัวทั้งสองข้างค้างไว้
- สำหรับการใส่ตัวแบตเตอรี่ ให้ถือตัวแบตเตอรี่โดยให้ด้านหน้าตรงกับช่องใส่ตัวแบตเตอรี่ที่เปิดอยู่ และเลื่อนแบตเตอรี่เข้าไปในช่องใส่ตัวแบตเตอรี่เข้าไปจนสุดจนกว่าจะล็อกเข้าที่สนิทโดยจะได้ยินเสียงดังคลิกเบาๆ หากไม่เช่นนั้น แบตเตอรี่อาจร่วงหล่นออกจากเครื่องอย่างไม่ตั้งใจ และทำให้คุณหรือบุคคลอื่นที่อยู่รอบๆ ได้รับความเจ็บ
- อย่าใช้แรงดันในขณะที่ใส่ตัวแบตเตอรี่ หากตัวแบตเตอรี่เลื่อนเข้าไปได้ลำบาก อาจเป็นเพราะมีการใส่แบตเตอรี่ไม่ถูกต้อง

ระบบป้องกันแบตเตอรี่

เครื่องมือนี้มีระบบป้องกันติดตั้งอยู่ซึ่งจะตัดกำลังไฟขาออกโดยอัตโนมัติ เพื่อให้อายุการใช้งานของเครื่องยาวนานขึ้น เครื่องมืออาจหยุดลงระหว่างการทำงาน เมื่อเครื่องมือและ/หรือแบตเตอรี่อยู่ภายใต้สถานการณ์ต่อไปนี้ กรณีนี้เกิดขึ้นจากการเปิดใช้งานระบบป้องกันและไม่แสดงว่าเครื่องมือมีปัญหา

- เมื่อเครื่องมือทำงานหนักเกินไป:
ในตอนนั้น ให้คลายไกสวิตช์ และแก๊วเสาเหตุของการที่เครื่องทำงานหนักเกินไป จากนั้นกดปุ่มตั้งไกสวิตช์อีกครั้งเพื่อรีเซ็ตสำหรับเครื่อง
- เมื่อความจุแบตเตอรี่คงเหลือเริ่มน้อยลง:
ชาร์จตัวแบตเตอรี่ใหม่

การปรับความลึกของการตัด (ภาพที่ 9)

⚠️ ข้อควรระวัง:

- หลังจากการปรับความลึกของการตัดแล้ว ให้ขันสกรูยึดให้แน่นเสมอ คลายสกรูยึดของแนววัดความลึก และเลื่อนฐานรองขึ้นหรือลง เมื่อได้ความลึกของการตัดตามที่ต้องการ ให้ยึดฐานรองให้แน่นด้วยสกรูยึด สำหรับการทำความสะอาด การตัดที่ปลอดภัย การกำหนดความลึกของการตัดไม่ควรให้ฟันของใบเลื่อยมากกว่าหนึ่งซี่ยื่นลงด้านใต้ของชิ้นงาน การใช้ความลึกของการตัดที่เหมาะสมจะช่วยความเสี่ยงจากอันตรายของการตัดกลับซึ่งสามารถทำให้ได้รับบาดเจ็บได้

การตัดมุมเฉียง (ภาพที่ 10)

คลายเกลียวสกรูยึดของแผ่นสเกลวัดมุมเฉียงที่อยู่ด้านหน้าของฐานรอง กำหนดมุมที่ต้องการ (0° - 45°) โดยการเอียงตามมุมดังกล่าว จากนั้นให้ขันสกรูยึดให้แน่น

การเล็งระยะ (ภาพที่ 11)

สำหรับการตัดในแนวตรง ให้จัดตำแหน่ง A ที่อยู่ด้านหน้าของฐานรองตามแนวการตัดของคุณ สำหรับการตัดมุมเฉียง 45° ให้จัดตำแหน่ง B ตามมุมดังกล่าว

การทำงานของสวิตช์ (ภาพที่ 12)

⚠️ ข้อควรระวัง:

- ก่อนใส่ตัวแบตเตอรี่เข้าไปในเครื่อง ให้ตรวจสอบทุกครั้งว่าไกสวิตช์ทำงานปกติและกลับมาสู่ตำแหน่ง "ปิด" เมื่อปล่อยไกหรือไม่
- อย่าตั้งไกสวิตช์อย่างรุนแรงโดยไม่ได้กดคันล็อค เพราะอาจทำให้สวิตช์แตกหักได้

เพื่อป้องกันไม่ให้ไกสวิตช์ถูกดึงอย่างไม่ตั้งใจ จึงมีการติดตั้งคันล็อคเอาไว้ในการเริ่มต้นใช้งานเครื่อง ให้เลื่อนคันล็อคและตั้งไกสวิตช์ ปล่อยให้สวิตช์เพื่อหยุดการทำงาน

⚠️ คำเตือน:

- เพื่อความปลอดภัยของคุณ เครื่องมือนี้จะมีคันล็อคที่จะช่วยป้องกันเครื่องมือไม่ให้เปิดทำงานอย่างไม่ตั้งใจ อย่าใช้เครื่องมือ หากมันเปิดทำงานเมื่อคุณแคชิ่งไกสวิตช์โดยไม่ได้กดคันล็อค นำเครื่องมือส่งศูนย์บริการของ Makita เพื่อทำการซ่อมแซมอย่างถูกต้องก่อนการใช้งานต่อไป
- อย่าติดเทป หรือทำให้วัตถุประสงค์และการทำงานของคันล็อคผิดพลาด

ชิ้นส่วนของเครื่อง

⚠️ ข้อควรระวัง:

- ตรวจสอบว่าปิดสวิตช์เครื่องและถอดตัวแบตเตอรี่ออกเสมอก่อนที่จะใช้งานใดๆ กับเครื่อง

การถอดหรือการประกอบใบเลื่อย (ภาพที่ 13)

⚠️ ข้อควรระวัง:

- ตรวจสอบว่าได้ติดตั้งใบเลื่อยโดยให้ฟันเลื่อยชี้ขึ้นด้านหน้าของเครื่องมือ
- ใช้ประแจกระบอกของ Makita เท่านั้นเพื่อประกอบหรือการนำใบเลื่อยออก

ในการถอดใบเลื่อยออก ให้กดตัวล็อคเฟลาจนสุดเพื่อไม่ให้ใบเลื่อยสามารถหมุนได้ และใช้ประแจกระบอกเพื่อคลายโบลต์หกเหลี่ยมทวนเข็มนาฬิกา จากนั้นให้ถอดโบลต์หกเหลี่ยม ขอบด้านนอก และใบเลื่อยออก (ภาพที่ 14)

ในการประกอบใบเลื่อย ให้ปฏิบัติตามขั้นตอนการถอดในด้านที่ตรงกันข้าม ตรวจสอบว่าได้ขันโบลต์หกเหลี่ยมตามเข็มนาฬิกาจนแน่น (ภาพที่ 15)

หมายเหตุ:

- หากมีการนำขอบด้านในออกโดยไม่ตั้งใจ ให้ติดตั้งขอบด้านในโดยให้ส่วนที่ยื่นออกมาของขอบ (ด้านที่ใหญ่กว่า) หันหน้าเข้าข้างในตามที่แสดงในภาพ

เมื่อทำการเปลี่ยนใบเลื่อย ให้ตรวจสอบว่าได้ทำความสะอาดโดยการนำ
ซี่เลื่อยที่สะสมอครจากเครื่องป้องกันใบเลื่อยด้านบนและด้านล่าง
อย่างไรก็ตาม การกระทำดังกล่าวไม่สามารถใช้แทนการตรวจสอบ
การทำงานของเครื่องป้องกันด้านล่างก่อนใช้งานทุกครั้ง

ที่จับเก็บประแจหกเหลี่ยม (ภาพที่ 16)

เมื่อไม่ได้ใช้งาน ให้จัดเก็บประแจหกเหลี่ยมตามที่แสดงไว้ในภาพเพื่อ
ป้องกันการสูญหาย

การเชื่อมต่อกับเครื่องดูดฝุ่น (ภาพที่ 17 & 18)

เมื่อคุณต้องการทำความสะอาดการตัด ให้เชื่อมต่อเครื่องดูดฝุ่น Makita กับ
เครื่องมือของคุณ ติดตั้งหัวฉีดกำจัดฝุ่น (อุปกรณ์เสริม) เข้ากับเครื่องมือ
โดยใช้สกรูยึด จากนั้นให้เชื่อมต่อกับสายของเครื่องดูดฝุ่นเข้ากับหัวฉีดกำจัด
ฝุ่นตามที่แสดงในภาพ

การทำงาน

⚠ ข้อควรระวัง:

- ตรวจสอบว่าได้ค่อยๆ ทำการเคลื่อนย้ายเครื่องมือไปข้างหน้าในแนวตรง
การบิดหรือบิดเครื่องมือจะทำให้มอเตอร์มีความร้อนมากเกินไป และ
เกิดขึ้นอันตรายจากการติดกลับซึ่งอาจทำให้ผู้ใช้ได้รับบาดเจ็บอย่างรุนแรง

หมายเหตุ:

- เมื่อสลับแบบเตอร์มีอุณหภูมิต่ำ เครื่องมืออาจทำงานไม่เต็ม
ประสิทธิภาพ
- ตัวอย่างเช่น ในตอนนี้นำให้ใช้เครื่องมือสำหรับงานตัดขนาดเบาสักครั้งหนึ่ง
จนกว่าสลับแบบเตอร์จะอุ่นขึ้นเท่ากับอุณหภูมิห้อง จากนั้น เครื่องมือ
จะสามารถทำงานได้อย่างเต็มประสิทธิภาพ (ภาพที่ 19)

ถือเครื่องมืออย่างมั่นคง เครื่องมือนี้ติดตั้งทั้งมือจับด้านหน้า (โครงครอบ
มอเตอร์) และมือจับด้านหลัง ใช้มือจับทั้งสองข้างเพื่อให้จับเครื่องมือได้
อย่างมั่นคง หากใช้มือทั้งสองข้างถือเครื่องมือไว้ ใบเลื่อยก็จะไม่สามารถ
ตัดถูกมือได้ จัดตำแหน่งฐานรองบนชิ้นงานที่จะตัดโดยไม่ทำให้ใบเลื่อยสัมผัส
กับสิ่งใด จากนั้นให้เปิดสวิตช์เครื่องมือ และรอจนกว่าใบเลื่อยจะหมุนด้วยความ
เร็วสูงสุด ในตอนนี้ให้เลื่อนเครื่องมือไปข้างหน้าบนพื้นผิวของชิ้นงาน
รักษาดำแหน่งของเครื่องให้อยู่ในแนวระนาบและค่อยๆ เลื่อนเครื่องมือไป
ข้างหน้าช้าๆ จนกว่าการตัดจะเสร็จสิ้น

เพื่อให้ได้งานตัดที่เรียบร้อย ให้จัดแนวการจัดของคุณเป็นเส้นตรง และ
เคลื่อนเครื่องมือไปข้างหน้าด้วยความเร็วระดับเดียวกัน หากการตัดไม่เป็น
ไปตามแนวการตัดที่คุณตั้งใจไว้ อย่าพยายามหมุนหรือฝืนใช้เครื่องมือให้
กลับไปยังแนวการตัดดังกล่าว การกระทำดังกล่าวอาจทำให้ใบเลื่อยติดขัด
ซึ่งนำไปสู่การติดกลับที่เป็นอันตรายและอาจทำให้ผู้ใช้ได้รับบาดเจ็บรุนแรง
คล้ายกับสวิตช์ รอจนกว่าใบเลื่อยจะหยุดหมุน และถอนเครื่องมือออก จัด
ตำแหน่งเครื่องมือตามแนวการตัดใหม่ และเริ่มตัดอีกครั้งหนึ่ง พยายาม
หลีกเลี่ยงการจัดตำแหน่งที่ผู้ปฏิบัติงานจะสัมผัสถูกเศษวัสดุและซี่เลื่อยที่ออก
มาจากเครื่องมือเลื่อย ใช้เครื่องป้องกันดวงตาเพื่อหลีกเลี่ยงการได้รับบาดเจ็บ

ฉาก (แถบกำหนดแนว) (อุปกรณ์เสริม) (ภาพที่ 20)

ฉากอนเนกประสงค์จะช่วยให้คุณทำการตัดในแนวตรงได้แม่นยำเป็นพิเศษ
เพียงเลื่อนฉากขึ้นเบาๆ ขนานกับด้านข้างของชิ้นงาน และยึดให้อยู่ใน
ตำแหน่งที่ต้องการด้วยสกรูที่อยู่ด้านหน้าของฐานรอง และยังสามารถ
ทำการตัดซ้ำๆ ได้ด้วยความกว้างเดียวกัน

การดูแลรักษา

⚠ ข้อควรระวัง:

- ตรวจสอบว่าปิดสวิตช์เครื่องและถอดคัลด์แบตเตอรี่ออกแล้วก่อนทำการ
ตรวจสอบหรือดูแลรักษาเครื่อง
- อย่าใช้น้ำมันเชื้อเพลิง เบนซิน ทินเนอร์ แอลกอฮอล์ หรือวัสดุประเภท
เดียวกัน เพราะอาจทำให้เครื่องมือมีสีชัดเจน ผิดรูปทรง หรือแตกหักได้
เพื่อดูแลให้ผลิตภัณฑ์ที่มีความปลอดภัยและไว้วางใจได้ ควรนำส่ง
ผลิตภัณฑ์ให้แก่อุปกรณ์ที่ได้รับอนุญาตของ Makita ดำเนินการ
ซ่อมแซม ดูแลรักษา หรือเปลี่ยนอะไหล่ และใช้อะไหล่แท้ของ Makita
เท่านั้น

อุปกรณ์เสริม

⚠ ข้อควรระวัง:

- ขอแนะนำให้อุปกรณ์เสริมหรือส่วนประกอบเหล่านี้กับเครื่องมือ
Makita ของคุณตามที่ระบุในคู่มือนี้ การใช้อุปกรณ์เสริมหรือ
ส่วนประกอบอื่นอาจทำให้ผู้ใช้ได้รับบาดเจ็บ ใช้อุปกรณ์เสริมหรือ
ส่วนประกอบตามที่ระบุไว้เท่านั้น

หากคุณต้องการทราบรายละเอียดเพิ่มเกี่ยวกับอุปกรณ์เสริมดังกล่าว
โปรดสอบถามศูนย์บริการของ Makita ในพื้นที่ของคุณ

- ใบเลื่อย
- ฉาก (แถบกำหนดแนว)
- ประแจหกเหลี่ยม 4
- หัวฉีดกำจัดฝุ่น
- แบตเตอรี่และแท่นชาร์จของแท้ของ Makita ในประเภทต่างๆ

Makita Corporation
Anjo, Aichi, Japan

www.makita.com

884978-370

ALA