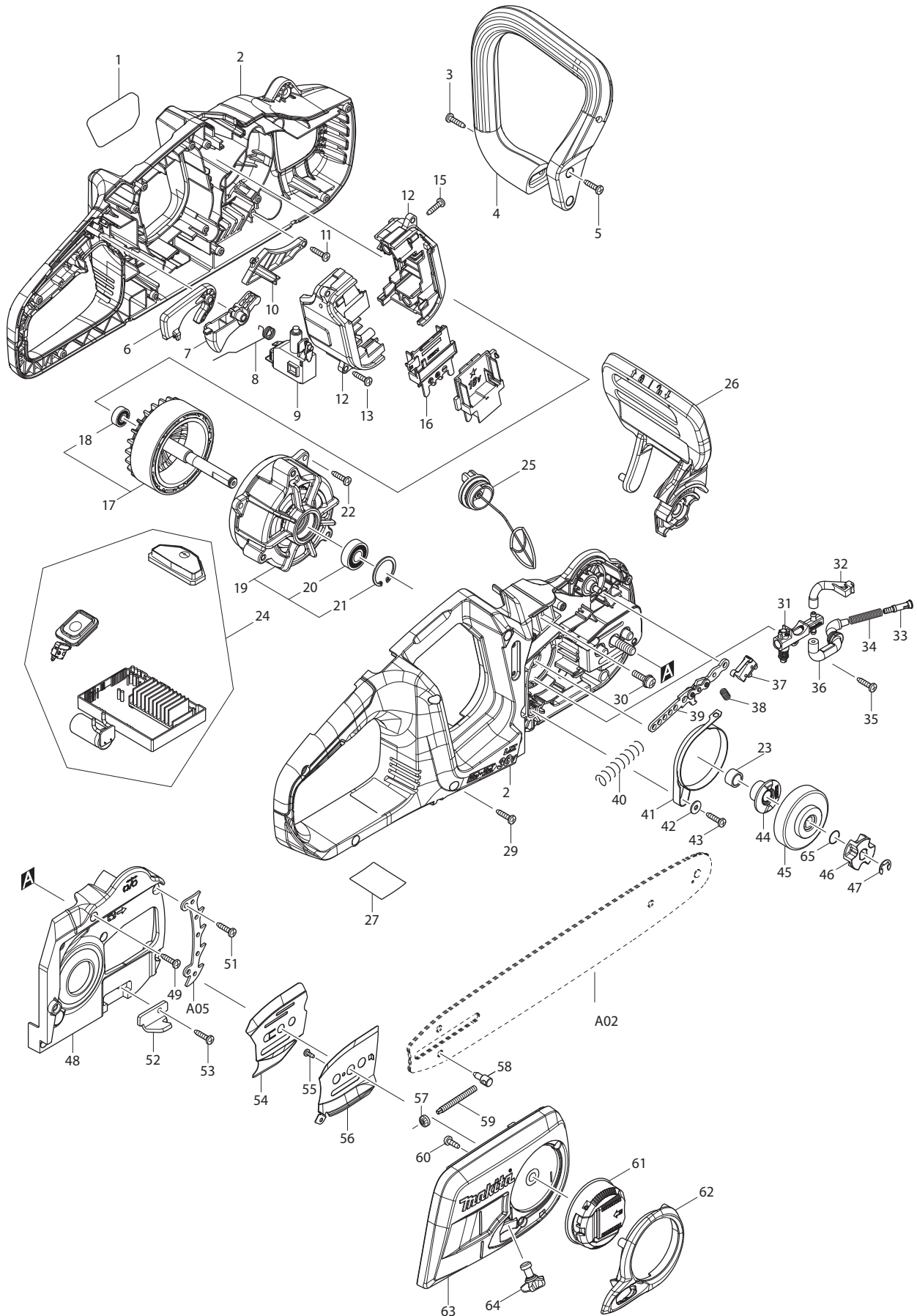




09 - 2016

DUC353Z

18Vx2 (36V) LXT 14" Chainsaw, Rear Handle



Item NType	Part No	Description	Qty	Unit
1	810R17-1	MODEL NO. LABEL F/DUC353	1	PC.
2	183F24-8	HOUSING SET	1	SET
	INC. 810R30-9	CAUTION LABEL	1	PC.
3	266326-2	TAPPING SCREW M4X18	2	PC.
4	457007-1	FRONT HANDLE	1	PC.
5	266326-2	TAPPING SCREW M4X18	2	PC.
6	457013-6	CATCH LEVER	1	PC.
7	457006-3	SWITCH LEVER	1	PC.
8	232318-3	TORSION SPRING 10	1	PC.
9	650781-2	SWITCH C3JW-6B-P	1	PC.
10	457010-2	HOUSING L COVER	1	PC.
11	266326-2	TAPPING SCREW M4X18	1	PC.
12	183F15-9	TERMINAL BOX SET	1	SET
	INC. 263005-3	RUBBER PIN 6	4	PC.
13	266326-2	TAPPING SCREW M4X18	4	PC.
15	266326-2	TAPPING SCREW M4X18	2	PC.
16	643874-2	TERMINAL	2	PC.
17	519411-3	ROTOR ASS'Y	1	PC.
	INC. Item No. 18			
18	210028-2	BALL BEARING 606ZZ	1	PC.
19	592H45-5	STATOR ASS'Y	1	PC.
	INC. Item No. 20,21			
20	210059-1	BALL BEARING 6000DDW	1	PC.
21	962105-3	RETAINING RING R-26	1	PC.
22	266326-2	TAPPING SCREW M4X18	3	PC.
23	257402-3	SLEEVE 10	1	PC.
24	144483-5	CONTROLLER COMPLETE	1	PC.
25	1 168399-0	* TANKCAP COMPLETE	1	PC.
	2 168508-1	* TANKCAP COMPLETE	1	PC.
	INC. 213355-6	* O RING 25	1	PC.
26	1 144234-6	* FRONT HAND GUARD COMPLETE	1	PC.
	1 INC. 810R20-2	* CAUTION LABEL	1	PC.
	2 140A10-2	* FRONT HAND GUARD COMPLETE	1	PC.
	2 INC. 810R20-2	* CAUTION LABEL	1	PC.
27	852V64-0	NAME PLATE F/DUC353	1	PC.
29	266326-2	TAPPING SCREW M4X18	8	PC.
30	911233-1	PAN HEAD SCREW M5X20	3	PC.
31	142156-4	OIL PUMP COMPLETE	1	PC.
32	424904-6	CONNECTOR B	1	PC.
33	452666-6	NIPPLE	1	PC.
34	234207-8	COMPRESSION SPRING 6	1	PC.
35	266326-2	TAPPING SCREW M4X18	1	PC.
36	424903-8	CONNECTOR A	1	PC.
37	632H47-0	* SWITCH UNIT	1	PC.
38	231298-0	COMPRESSION SPRING 6	1	PC.
39	163448-8	LINKPLATE COMPLETE	1	PC.
40	232319-1	COMPRESSION SPRING 9	1	PC.
41	345454-7	BRAKE BAND	1	PC.
42	267195-4	FLAT WASHER 4	1	PC.
43	266326-2	TAPPING SCREW M4X18	1	PC.
44	221427-3	WORM GEAR	1	PC.
45	161526-8	BRAKE DRUM COMPLETE	1	PC.
46	221464-7	SPROCKET 6	1	PC.
47	961013-5	STOP RING E-7	1	PC.
48	457004-7	HOUSING R COVER	1	PC.
49	266326-2	TAPPING SCREW M4X18	4	PC.
51	266326-2	TAPPING SCREW M4X18	2	PC.

Item NType	Part No	Description	Qty	Unit
52	347079-3	CHAIN CATCHER	1	PC.
53	266326-2	TAPPING SCREW M4X18	1	PC.
54	346694-0	GUIDE PLATE ES	1	PC.
55	266166-8	TAPPING SCREW CT M3X8	1	PC.
56	346699-0	GUIDE PLATE CS	1	PC.
57	227496-2	STRAIGHT BEVEL GEAR 14	1	PC.
58	326310-0	ADJUST PIN	1	PC.
59	326312-6	ADJUST SCREW	1	PC.
60	266427-6	TAPPING SCREW M4X12	3	PC.
61	142235-8	NUT COMPLETE	1	PC.
62	454519-5	NUT COVER	1	PC.
63	457000-5	SPROCKET COVER	1	PC.
64	142288-7	WHEEL COMPLETE	1	PC.
	INC. 213011-8	O RING 7	1	PC.
65	213060-5	O RING 10	1	PC.
<u>ACCESSORIES</u> - See Catalogue or visit www.makita.ca for more accessories -				
A01	182229-1	OIL SUPPLY 100CC	1	PC.
A02	165246-6	14" SPROCKET GUIDE BAR 3/8" 43G	1	PC.
A03	419288-5	CHAIN COVER F/12-14"	1	PC.
	419560-5	CHAIN COVER F/16-18"	1	PC.
A04	196741-5	3/8" CHAIN 43G 14"	1	PC.
A05	347078-5	SPIKE BUMPER	1	PC.
A06	-----	BATTERY CHARGER		
A07	-----	18V LI-ION BATTERY		
A08	-----	LI-ION BATTERY ACCESSORIES		
A09	-----	CHAIN SAW FILES		
A10	-----	CHAIN SAW & BAR REFERENCE CHART		
	165245-8	12" SPROCKET GUIDE BAR 3/8 43G	1	PC.
	196740-7	3/8"LOW KICKBACK CHAIN 43G 12"	1	PC.
	165201-8	14" SPROCKET GUIDE BAR 3/8 50G	1	PC.
	528 092 652	3/8" LOW KICKBACK CHAIN 50G 14"	1	PC.
	165202-6	16" SPROCKET GUIDE BAR 3/8 50G	1	PC.
	1 531 492 656	3/8" LOW KICKBACK SAFETY CHAIN 50G 16"	1	PC.
	2 196444-1	3/8" LOW KICKBACK SAFETY CHAIN 50G 16"	1	PC.
A11	-----	SAFETY ACCESSORIES		

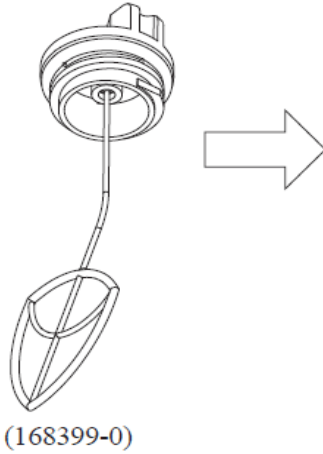
SERVICE CHANGES

1. Changes on Tankcap Complete

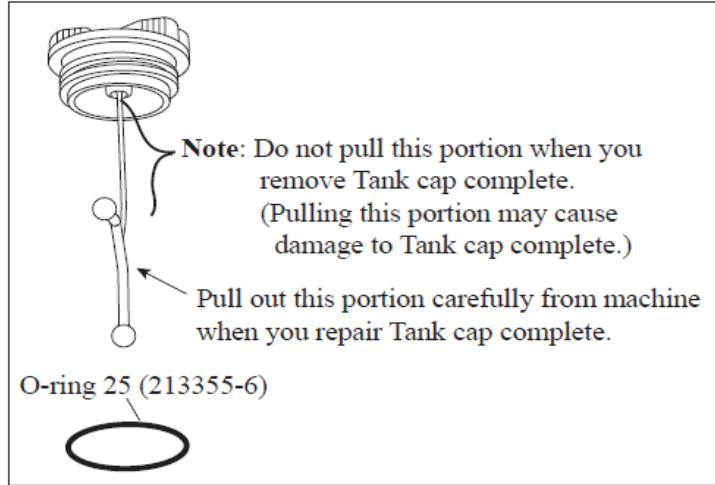
(TI#B6909)

Item No.	Description	Type 1	Type 2
25	TANKCAP COMPLETE	168399-0	168508-1
INC.	O RING 25	-----	213355-6

Type 1



Type 2



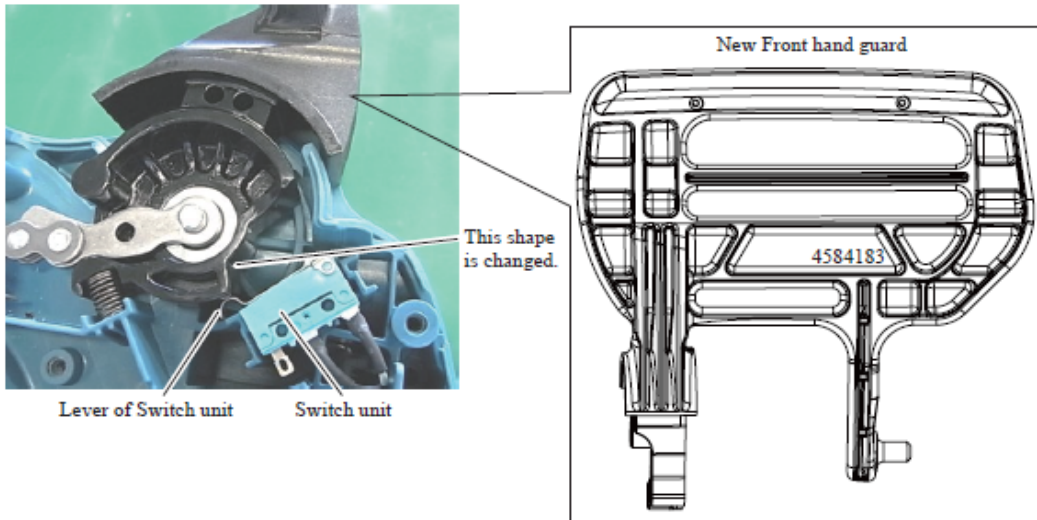
(168508-1)

2. Changes on Front hand guard

(TI#B9658)

Item No.	Description	Type 1	Type 2
26	Fron Hand Guard Com.	144232-0	140A10-2
37	Switch unit		632H47-0

Switch unit remains the same. However, be sure to check the molded part number in repair. When you find the number 4570225, replace the current Front hand guard complete with a new at the same time.



Distinguish the new from the current by the molded parts number (new: 4584183/ current: 4570225).