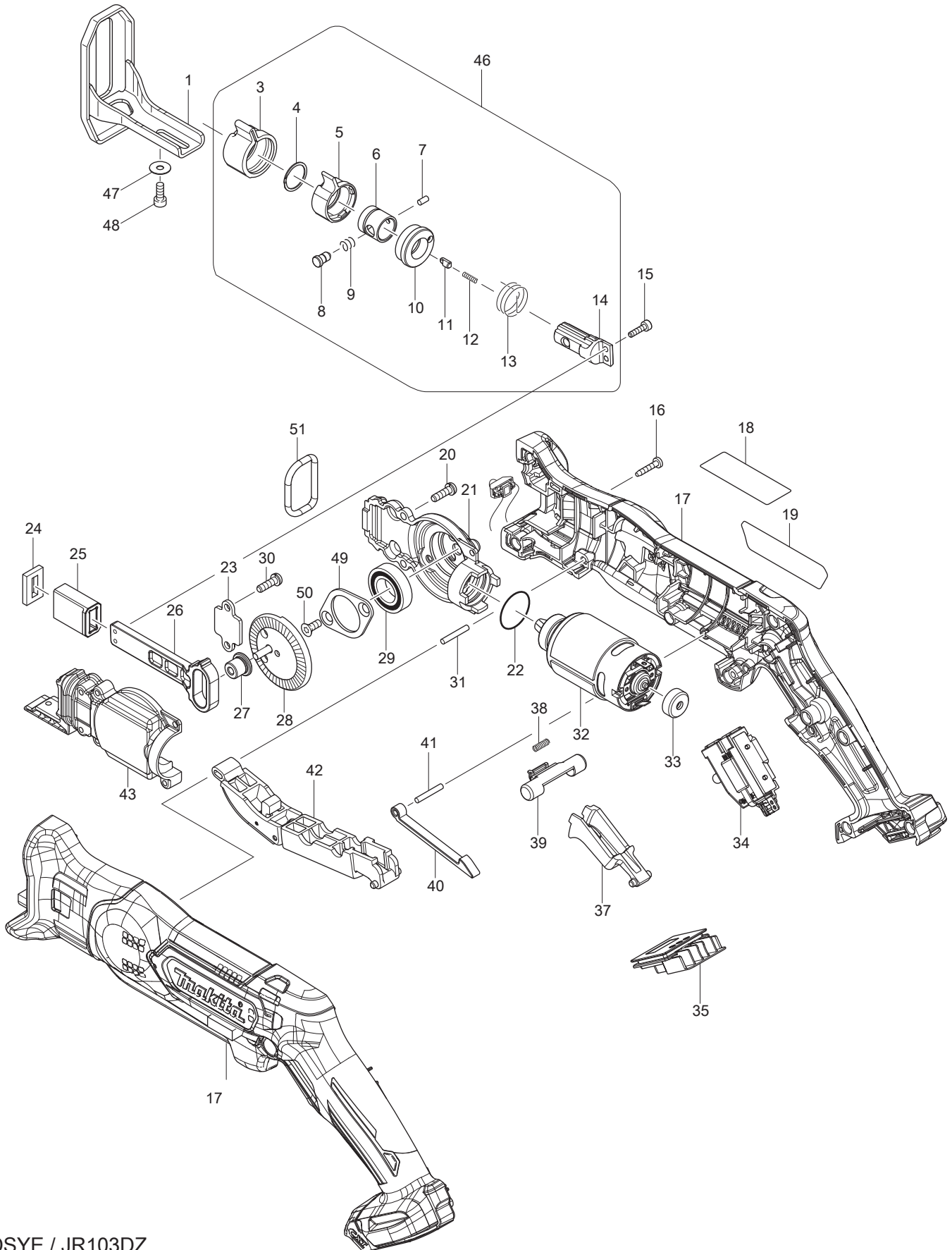




09 - 2015
JR103DSYE / JR103DZ
12V LXT Reciprocating Saw



| Item No. | Type | Sub | Part No. | Description | Qty | Unit |
|--------------------|------|------|------------|--|-----|------|
| 1 | | | 165740-8 | SHOE | 1 | PC. |
| 3 | | | 424466-4 | PROTECTOR | 1 | PC. |
| 4 | | | 257981-1 | RETAINING RING (EXT)16 | 1 | PC. |
| 5 | | | 310496-0 | DRIVING SLEEVE | 1 | PC. |
| 6 | | | 331963-2 | GUIDE SLEEVE | 1 | PC. |
| 7 | | | 268094-3 | PIN 3 | 1 | PC. |
| 8 | | | 256492-3 | SHOULDER PIN 5 | 1 | PC. |
| 9 | | | 233345-3 | COMPRESSION SPRING 6 | 1 | PC. |
| 10 | | | 453071-0 | CONNECTING SLEEVE | 1 | PC. |
| 11 | | | 310495-2 | PUSH PIN | 1 | PC. |
| 12 | | | 233025-1 | COMPRESSION SPRING 2 | 1 | PC. |
| 13 | | | 233594-2 | TORTION SPRING 17 | 1 | PC. |
| 14 | | | 326113-2 | BLADE GUIDE | 1 | PC. |
| 15 | | | 265910-0 | HEX. SOCKET HEAD BOLT M3X12 | 2 | PC. |
| 16 | | | 266429-2 | TAPPING SCREW 3X16 | 10 | PC. |
| 17 | | | 183C31-3 | HOUSING SET | 1 | SET |
| | | INC. | 263002-9 | RUBBER PIN 4 | 3 | PC. |
| 18 | | | 807F59-2 | CAUTION LABEL | 1 | PC. |
| 19 | | | 851H89-7 | NAME PLATE F/JR103D | 1 | PC. |
| 20 | | | 266747-8 | PAN HEAD SCREW M4X14 WITH WM | 3 | PC. |
| 21 | | | 319060-4 | GEAR HOUSING | 1 | PC. |
| 22 | | | 213961-7 | O RING 22 | 1 | PC. |
| 23 | | | 346525-3 | PLATE | 1 | PC. |
| 24 | | | 443185-3 | FELT SEAL | 1 | PC. |
| 25 | | | 313220-0 | SLIDER GUIDE | 1 | PC. |
| 26 | | | 313271-3 | SLIDER | 1 | PC. |
| 27 | | | 313270-5 | COLLARED SLEEVE 4 | 1 | PC. |
| 28 | | | 142284-5 | GEAR COMPLETE | 1 | PC. |
| 29 | | | 211242-3 | BALL BEARING 6902ZZ | 1 | PC. |
| 30 | | | 266747-8 | PAN HEAD SCREW M4X14 WITH WM | 2 | PC. |
| 31 | | | 256158-5 | PIN 3 | 1 | PC. |
| 32 | | | 629165-5 | DC MOTOR | 1 | PC. |
| 33 | | | 424467-2 | CAP | 1 | PC. |
| 34 | | | 632F47-8 | SWITCH UNIT | 1 | PC. |
| 35 | | | 644813-5 | TERMINAL | 1 | PC. |
| 37 | | | 453072-8 | SWITCH LEVER R | 1 | PC. |
| 38 | | | 233438-6 | COMPRESSION SPRING 4 | 1 | PC. |
| 39 | | | 454661-2 | LOCK OFF LEVER R | 1 | PC. |
| 40 | | | 313219-5 | LINK | 1 | PC. |
| 41 | | | 256158-5 | PIN 3 | 1 | PC. |
| 42 | | | 141128-6 | SWITCH LEVER F COMPLETE | 1 | PC. |
| 43 | | | 319061-2 | GEAR HOUSING COVER | 1 | PC. |
| 46 | | | 126201-3 | BLADE CLAMP ASSEMBLY | 1 | PC. |
| | | INC. | | Item No. 3-14 | | |
| 47 | | | 253874-0 | FLAT WASHER 4 | 1 | PC. |
| 48 | | | 922112-8 | HEX. SOCKET HEAD BOLT M4X10 | 1 | PC. |
| 49 | | | 285738-0 | BEARING RETAINER 36 | 1 | PC. |
| 50 | | | 265035-0 | COUNTERSUNK HEAD SCREW M4X10 | 2 | PC. |
| 51 | | | 424597-9 | RUBBER RING 23 | 1 | PC. |
| C01 | | | 878361-4 | CARTON F/JR103DZ | 1 | PC. |
| C01A | | | 878366-4 | CARTON F/JR103DYE | 1 | PC. |
| ACCESSORIES | | | | - Visit www.makita.ca for more accessories information - | | |
| A01 | | | 783201-2 | HEX. WRENCH 3 | 1 | PC. |
| A02 | | | B-20432 | RECIPRO SAW BLADE BIM 6T 4" 5PK, F/WOOD | 1 | PC. |
| A03 | | | 723063-A-5 | RECIPRO SAW BLADE BIM 18T 4" 5PK, F/METAL | 1 | PC. |

| Item No. | Type | Sub | Part No. | Description | Qty | Unit |
|----------|------|------|----------|--|-----|------|
| A04 | | | 456128-6 | BATTERY COVER F/12V LI-ION SLIDE BATTERY | 1 | PC. |
| A05 | | | DC10SB | CHARGER DC10SB | 1 | PC. |
| A06 | | | ---- | 12V LI-ION BATTERY, SLIDE TYPE | 1 | PC. |
| A07 | | | 821662-9 | PLASTIC CARRYING CASE | 1 | PC. |
| | | INC. | 162315-4 | LATCH | 2 | PC. |
| A08 | | | ---- | RECIPRO SAW BLADE | | |