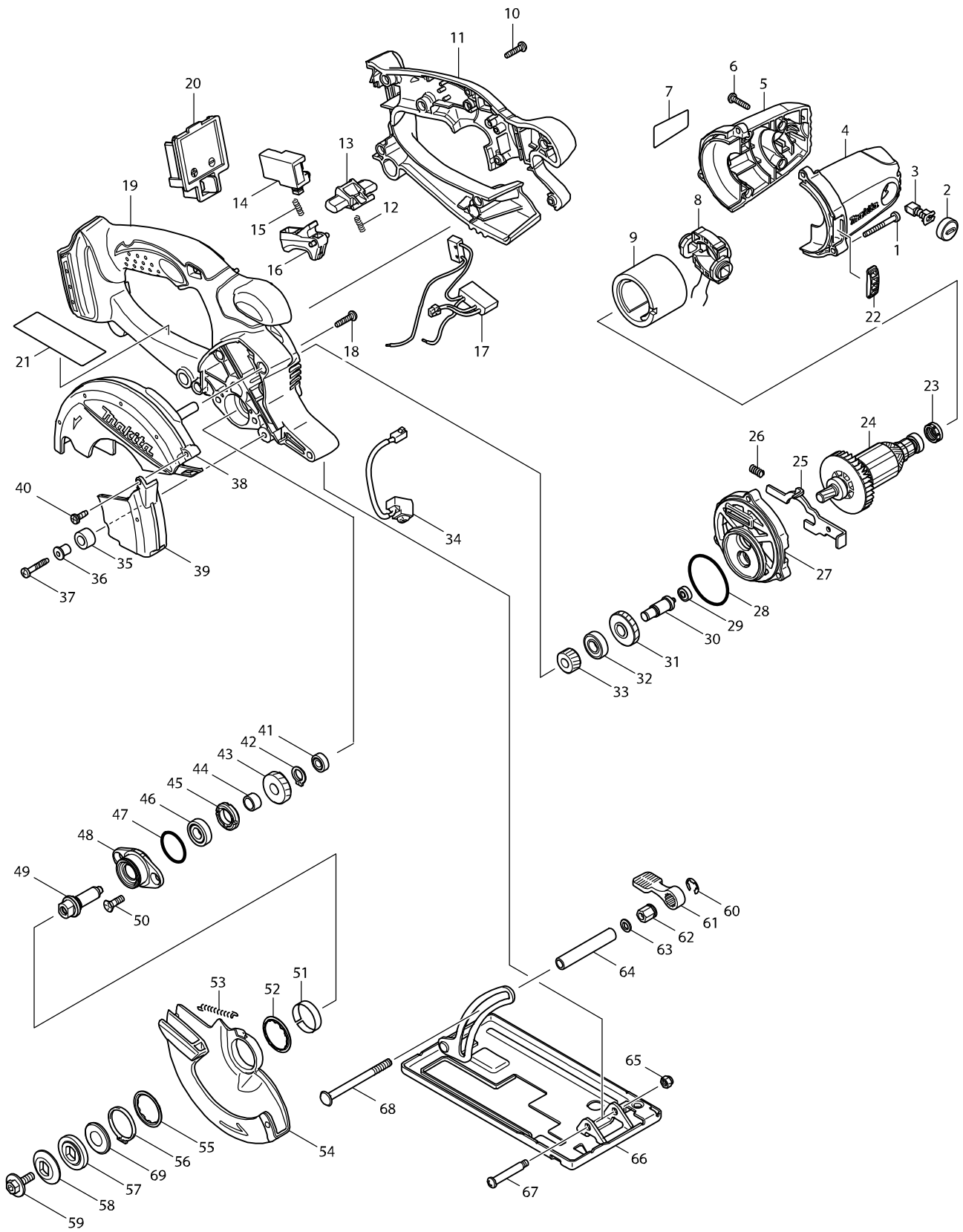


Model No. DCS550 CORDLESS METAL CUTTER



Model No. DCS550 CORDLESS METAL CUTTER

Item	Parts No.	Description	I/C	Qty	N/O	Opt. 1	Opt. 2	Note
001	266053-1	TAPPING SCREW 4X35		3				
002	643807-7	BRUSH HOLDER CAP		2				
003	191971-3	CARBON BRUSH CB-430		1				
004	188209-5	HOUSING SET		1				
D10		INC. 5						
005	188209-5	HOUSING SET		1				
D10		INC. 4						
006	265995-6	TAPPING SCREW 4X18		4				
007	815P08-5	DCS550 NAME PLATE		1				
008	638502-2	ENDBELL COMPLETE		1				
009	638420-4	YOKE UNIT		1				
010	265995-6	TAPPING SCREW 4X18		8				
011	453426-9	HANDLE L		1				
012	231469-9	COMPRESSION SPRING 4		1				
013	419664-3	LOCK OFF LEVER		1				
014	651956-6	SWITCH TG72BD		1				
015	231469-9	COMPRESSION SPRING 4		1				
016	419665-1	SWITCH LEVER		1				
017	620260-4	CONTROLLER		1				
018	265995-6	TAPPING SCREW 4X18		3				
019	453154-6	HANDLE R		1				
020	644808-8	TERMINAL		1				
022	419609-1	FAN GUARD		1				
023	421977-0	RUBBER RING 13		1				
024	619290-0	ARMATURE		1				
025	345643-4	SHAFT LOCK		1				
026	233117-6	COMPRESSION SPRING 6		1				
027	419656-2	GEAR HOUSING		1				
028	213560-5	O RING 44		1				
029	210036-3	BALL BEARING 604ZZ		1				
030	324729-7	GEAR SHAFT		1				
031	227752-0	HELICAL GEAR 27		1				
032	210080-0	BALL BEARING 6900ZZ		1				
033	226635-1	HELICAL GEAR 15		1				
034	631550-0	LED CIRCUIT		1				
035	262566-0	RUBBER SLEEVE 6		1				
036	262563-6	SLEEVE 4		1				
037	265999-8	TAPPING SCREW 4X25		1				
038	419662-7	BLADE CASE		1				
039	419663-5	BLADE COVER		1				
040	266020-6	TAPPING SCREW 4X12		1				
041	210006-2	BALL BEARING 696ZZ		1				
042	961006-2	RETAINING RING S-10		1				
043	226640-8	HELICAL GEAR 23		1				
044	257760-7	SLEEVE 10		1				
045	285847-5	BEARING RETAINER 14-23		1				
046	210069-8	BALL BEARING 6900DDW		1				
047	213435-8	O RING 26		1				

