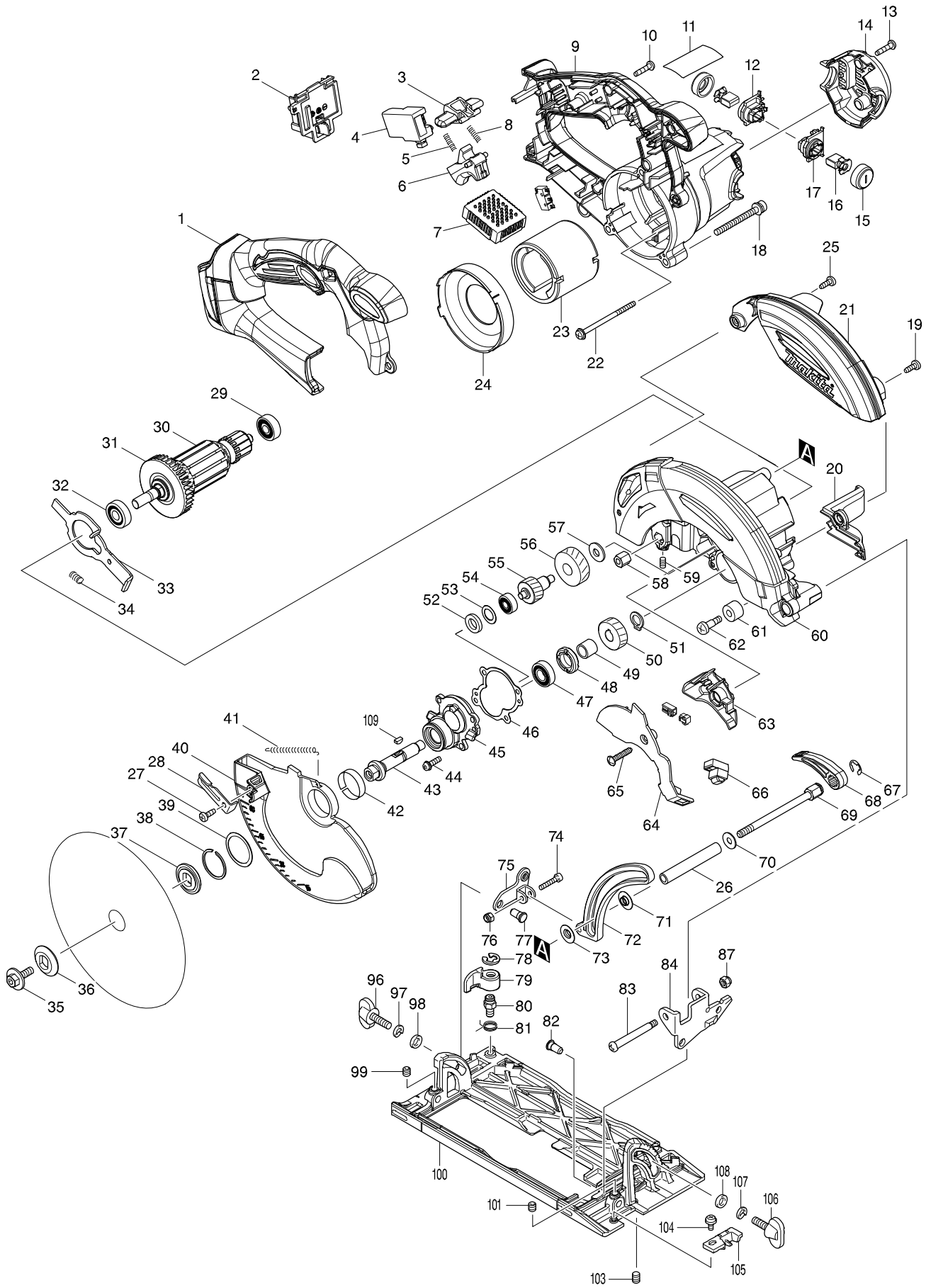


Model No. DHS630 165MM CORDLESS CIRCULAR SAW



Model No. DHS630 165MM CORDLESS CIRCULAR SAW

| Item | Parts No. | Description | I/C | Qty | N/O | Opt. 1 | Opt. 2 | Note |
|------|-----------|----------------------------|-----|-----|-----|--------|--------|------|
| 001 | 141237-1 | HANDLE COVER COMPLETE | | 1 | | | | |
| C10 | 263005-3 | RUBBER PIN 6 | | 1 | | | | |
| 002 | 644808-8 | TERMINAL | | 1 | | | | |
| 003 | 419664-3 | LOCK OFF LEVER | | 1 | | | | |
| 004 | 650631-1 | SWITCH | | 1 | | | | |
| 005 | 231469-9 | COMPRESSION SPRING 4 | | 1 | | | | |
| 006 | 419665-1 | SWITCH LEVER | | 1 | | | | |
| 007 | 620257-3 | CONTROLLER | | 1 | | | | |
| C10 | 620059-7 | SWITCH UNIT | | 1 | | | | |
| 008 | 231469-9 | COMPRESSION SPRING 4 | | 1 | | | | |
| 009 | 140984-1 | MOTOR HOUSING COMPLETE | | 1 | | | | |
| C10 | 263005-3 | RUBBER PIN 6 | | 1 | | | | |
| 010 | 265995-6 | TAPPING SCREW 4X18 | | 7 | | | | |
| 011 | 815J60-7 | DHS630 NAME PLATE | | 1 | | | | |
| 012 | 643813-2 | BRUSH HOLDER | | 1 | | | | |
| 013 | 265995-6 | TAPPING SCREW 4X18 | | 2 | | | | |
| 014 | 452787-4 | REAR COVER | | 1 | | | | |
| 015 | 643941-3 | BRUSH HOLDER CAP | | 2 | | | | |
| 016 | 194435-6 | CARBON BRUSH CB-441 | | 1 | | | | |
| 017 | 643814-0 | BRUSH HOLDER | | 1 | | | | |
| 018 | 911258-5 | PAN HEAD SCREW M5X35 | | 3 | | | | |
| 019 | 266026-4 | TAPPING SCREW BIND CT 4X12 | | 1 | | | | |
| 020 | 452790-5 | DUCT | | 1 | | | | |
| 021 | 452789-0 | BLADE COVER | | 1 | | | | |
| 022 | 266292-3 | TAPPING SCREW 4X65 | | 2 | | | | |
| 023 | 638571-3 | YOKE UNIT | | 1 | | | | |
| 024 | 452785-8 | BAFFLE PLATE | | 1 | | | | |
| 025 | 266026-4 | TAPPING SCREW BIND CT 4X12 | | 1 | | | | |
| 026 | 331947-0 | PIPE 6 | | 1 | | | | |
| 027 | 266020-6 | TAPPING SCREW 4X12 | | 1 | | | | |
| 028 | 272270-3 | LEVER 39 | | 1 | | | | |
| 029 | 210023-2 | BALL BEARING 627DDW | | 1 | | | | |
| 030 | 519288-6 | ARMATURE ASSEMBLY 18V | | 1 | | | | |
| D10 | | INC. 29,31,32 | | | | | | |
| 031 | 241869-5 | FAN 55 | | 1 | | | | |
| 032 | 210051-7 | BALL BEARING 609LLB | | 1 | | | | |
| 033 | 344681-3 | SHAFT LOCK | | 1 | | | | |
| 034 | 233117-6 | COMPRESSION SPRING 6 | | 1 | | | | |
| 035 | 266458-5 | HEX.SOCKET HEX.BOLT M6X18 | | 1 | | | | |
| 036 | 224421-4 | OUTER FLANGE 28 | | 1 | | | | |
| 037 | 224417-5 | INNER FLANGE 28 | | 1 | | | | |
| 038 | 257938-2 | RETAINING RING(EXT) WR-26 | | 1 | | | | |
| 039 | 267127-1 | FLAT WASHER 26 | | 1 | | | | |
| 040 | 452791-3 | SAFETY COVER | | 1 | | | | |
| 041 | 231874-0 | TENSION SPRING 4 | | 1 | | | | |
| 042 | 345470-9 | THICKNESS RING | | 1 | | | | |
| 043 | 326410-6 | SPINDLE | | 1 | | | | |
| 044 | 911128-8 | PAN HEAD SCREW M4X16 | | 4 | | | | |

Model No. DHS630 165MM CORDLESS CIRCULAR SAW

| Item | Parts No. | Description | I/C | Qty | N/O | Opt. 1 | Opt. 2 | Note |
|------|-----------|--------------------------------|-----|-----|-----|--------|--------|------|
| 045 | 140983-3 | BEARING BOX COMPLETE | | 1 | | | | |
| C10 | 263002-9 | RUBBER PIN 4 | | 1 | | | | |
| 046 | 442141-0 | GASKET | | 1 | | | | |
| 047 | 210069-8 | BALL BEARING 6900DDW | | 1 | | | | |
| 048 | 285847-5 | BEARING RETAINER 14-23 | | 1 | | | | |
| 049 | 257284-3 | RING 10 | | 1 | | | | |
| 050 | 227791-0 | HELICAL GEAR 24 | | 1 | | | | |
| 051 | 961006-2 | RETAINING RING S-10 | | 1 | | | | |
| 052 | 262155-1 | RUBBER RING 10 | | 1 | | | | |
| 053 | 267369-7 | FLAT WASHER 11 | | 1 | | | | |
| 054 | 211012-0 | BALL BEARING 606ZZ | | 1 | | | | |
| 055 | 227717-2 | HELICAL GEAR 17 | | 1 | | | | |
| 056 | 226676-7 | HELICAL GEAR 39 | | 1 | | | | |
| 057 | 253823-7 | FLAT WASHER 7 | | 1 | | | | |
| 058 | 264064-0 | HEX.NUT M6 | | 1 | | | | |
| 059 | 266229-0 | H.S.SET SCREW(CUP POINT)M5X8 | | 1 | | | | |
| 060 | 141002-8 | BLADE CASE COMPLETE | | 1 | | | | |
| C10 | 213953-6 | O RING 24 | | 1 | | | | |
| 061 | 262511-5 | RUBBER SLEEVE 6 | | 1 | | | | |
| 062 | 265115-2 | + PAN HEAD SCREW M5 | | 1 | | | | |
| 063 | 452786-6 | CONNECTOR BOX | | 1 | | | | |
| 064 | 452788-2 | COVER | | 1 | | | | |
| 065 | 266042-6 | TAPPING SCREW BIND CT 4X20 | | 1 | | | | |
| 066 | 631694-6 | LED CIRCUIT | | 1 | | | | |
| 067 | 961014-3 | STOP RING E-8 | | 1 | | | | |
| 068 | 272260-6 | LEVER 55 | | 1 | | | | |
| 069 | 265595-2 | HEX.BOLT M6X85 | | 1 | | | | |
| 070 | 253804-1 | FLAT WASHER 6 | | 1 | | | | |
| 071 | 346477-8 | COLLOR | | 1 | | | | |
| 072 | 318245-9 | DEPTH GUIDE | | 1 | | | | |
| 073 | 346477-8 | COLLOR | | 1 | | | | |
| 074 | 922137-2 | HEX. SOCKET HEAD BOLT M4X20 | | 1 | | | | |
| 075 | 345876-1 | REAR ANGULAR GUIDE | | 1 | | | | |
| 076 | 252126-6 | HEX. LOCKING NUT M4-7 | | 1 | | | | |
| 077 | 256480-0 | SHOULDER PIN 6-7 | | 1 | | | | |
| 078 | 961012-7 | STOP RING E-6 | | 2 | | | | |
| 079 | 453165-1 | LOCK LEVER | | 2 | | | | |
| 080 | 265571-6 | HEX. BOLT M6X10 | | 2 | | | | |
| 081 | 233596-8 | TORSION SPRING 11 | | 2 | | | | |
| 082 | 256480-0 | SHOULDER PIN 6-7 | | 1 | | | | |
| 083 | 265072-4 | + PAN HEAD SCREW M5 | | 1 | | | | |
| 084 | 345590-9 | ANGULAR GUIDE | | 1 | | | | |
| 087 | 252103-8 | HEX. LOCK NUT M5-8 | | 1 | | | | |
| 096 | 265708-5 | SCREW M6X20 | | 1 | | | | |
| 097 | 942151-2 | SPRING WASHER 6 | | 1 | | | | |
| 098 | 941151-9 | FLAT WASHER 6 | | 1 | | | | |
| 099 | 266039-5 | H.S.SET SCREW(FLAT POINT) M6X6 | | 1 | | | | |
| 100 | 310511-0 | BASE | | 1 | | | | |

Model No. DHS630 165MM CORDLESS CIRCULAR SAW

| Item | Parts No. | Description | I/C | Qty | N/O | Opt. 1 | Opt. 2 | Note |
|--------|-----------|---------------------------------|-----|-----|-----|--------|--------|------|
| 101 | 266039-5 | H.S.SET SCREW (FLAT POINT) M6X6 | | 1 | | | | |
| 103 | 266208-8 | H.S.SET SCREW (CUP POINT)M6X8 | | 1 | | | | |
| 104 | 911109-2 | PAN HEAD SCREW M4X8 | | 1 | | | | |
| 105 | 450333-7 | TOP GUIDE | | 1 | | | | |
| 106 | 265708-5 | SCREW M6X20 | | 1 | | | | |
| 107 | 942151-2 | SPRING WASHER 6 | | 1 | | | | |
| 108 | 941151-9 | FLAT WASHER 6 | | 1 | | | | |
| 109 | 254031-3 | WOODRUFF KEY 3 | | 1 | | | | |
| A01 | 164095-8 | GUIDE RULE | | 1 | | | | |
| A02 | 783203-8 | HEX. WRENCH 5 | | 1 | | | | |
| A03 | D-26630 | T.C.T.SAW BLADE 165X20X16T | | 1 | | | | |
| A05D | ***DC18RC | DC18RC FAST CHARGER | | 1 | | | | |
| A06D | 194204-5 | BATTERY BL1830 SET | | 2 | * | | | |
| A06-1D | 194204-5 | BATTERY BL1830 SET | O | 2 | | | | |
| A07D | 824995-1 | PLASTIC CARRYING CASE | | 1 | | | | |
| C10 | 162315-4 | LATCH | | 2 | | | | |
| C20 | 452137-3 | HANDLE | | 1 | | | | |
| C30 | 453229-1 | THUMB SCREW M12X8 | | 1 | | | | |
| A08D | 803E87-9 | DHS630RFE PLASTIC CASE LABEL | | 2 | | | | |
| A09D | 450128-8 | BATTERY COVER | | 1 | | | | |
| | | | | | | | | |
| | | | | | | | | |
| | | | | | | | | |
| | | | | | | | | |
| | | | | | | | | |
| | | | | | | | | |
| | | | | | | | | |
| | | | | | | | | |
| | | | | | | | | |
| | | | | | | | | |
| | | | | | | | | |
| | | | | | | | | |
| | | | | | | | | |
| | | | | | | | | |
| | | | | | | | | |
| | | | | | | | | |
| | | | | | | | | |
| | | | | | | | | |
| | | | | | | | | |
| | | | | | | | | |
| | | | | | | | | |
| | | | | | | | | |
| | | | | | | | | |
| | | | | | | | | |
| | | | | | | | | |
| | | | | | | | | |
| | | | | | | | | |
| | | | | | | | | |
| | | | | | | | | |
| | | | | | | | | |
| | | | | | | | | |
| | | | | | | | | |
| | | | | | | | | |
| | | | | | | | | |
| | | | | | | | | |
| | | | | | | | | |
| | | | | | | | | |
| | | | | | | | | |