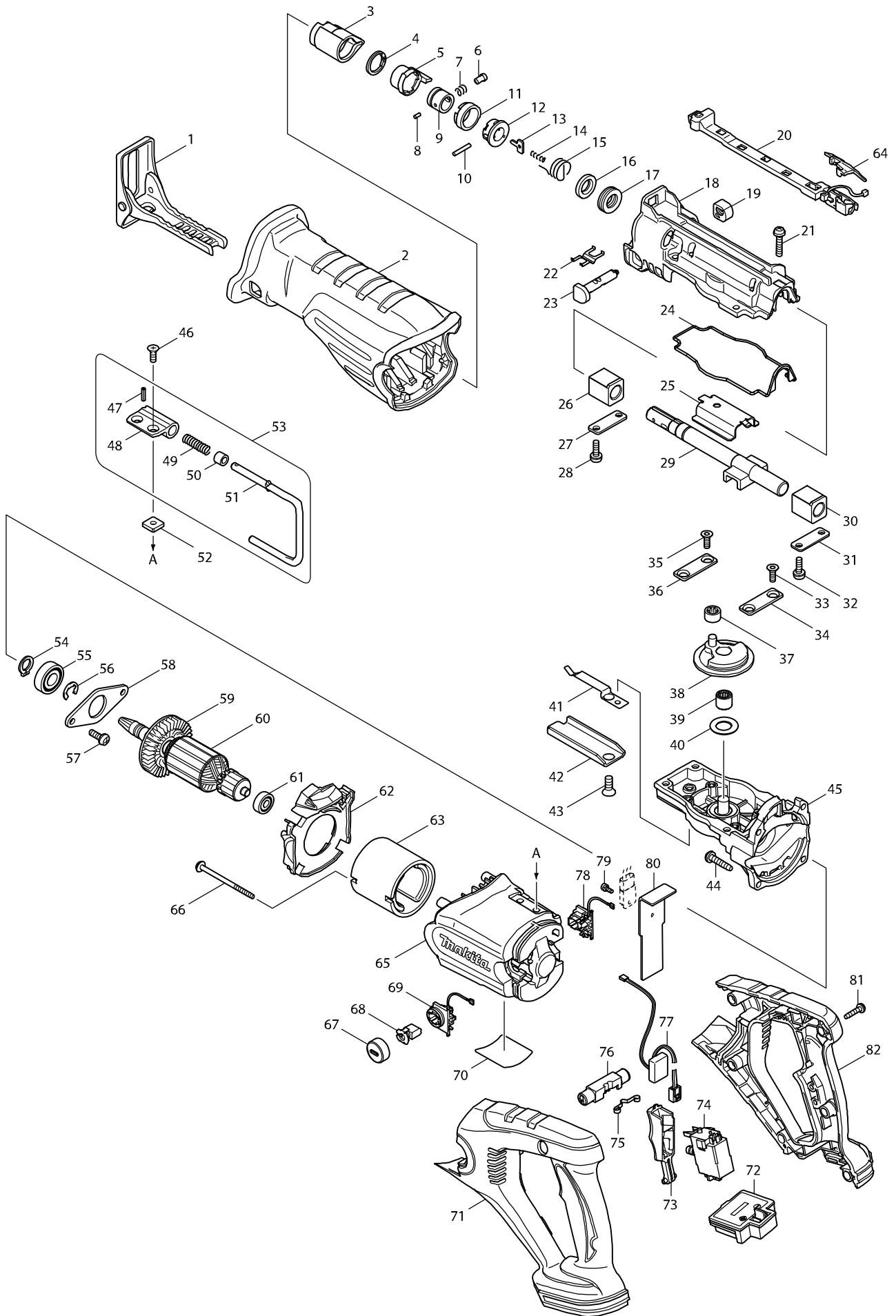


Model No. DJR181 CORDLESS RECIPRO SAW



Model No. DJR181 CORDLESS RECIPRO SAW

| Item | Parts No. | Description | I/C | Qty | N/O | Opt. 1 | Opt. 2 | Note |
|------|-----------|--------------------------------|-----|-----|-----|--------|--------|------|
| 001 | 163453-5 | SHOE | | 1 | | | | |
| 002 | 421945-3 | INSULATION COVER | | 1 | | | | |
| 003 | 424147-0 | PROTECTOR | | 1 | | | | |
| 004 | 257952-8 | RETAINING RING (EXT) 18 | | 1 | | | | |
| 005 | 310285-3 | DRIVING SLEEVE | | 1 | | | | |
| 006 | 256492-3 | SHOULDER PIN 5 | | 1 | | | | |
| 007 | 233345-3 | COMPRESSION SPRING 6 | | 1 | | | | |
| 008 | 268094-3 | PIN 3 | | 1 | | | | |
| 009 | 331720-8 | GUIDE SLEEVE | | 1 | | | | |
| 010 | 256158-5 | PIN 3 | | 1 | | | | |
| 011 | 417791-0 | DRIVING SLEEVE GUIDE | | 1 | | | | |
| 012 | 418311-3 | SLEEVE | | 1 | | | | |
| 013 | 345214-7 | PUSH PLATE | | 1 | | | | |
| 014 | 233025-1 | COMPRESSION SPRING 2 | | 1 | | | | |
| 015 | 231687-9 | TORSION SPRING 17 | | 1 | | | | |
| 016 | 213151-2 | OIL SEAL 14 | | 1 | | | | |
| 017 | 213174-0 | X RING 14 | | 1 | | | | |
| 018 | 154813-2 | GEAR HOUSING COVER COMPLETE | | 1 | | | | |
| D10 | | INC. 16,17 | | | | | | |
| 019 | 418806-6 | CAP | | 1 | | | | |
| 020 | 631689-9 | LED CIRCUIT | | 1 | | | | |
| 021 | 911243-8 | PAN HEAD SCREW M5X25 | | 4 | | | | |
| 022 | 232221-8 | LEAF SPRING A | | 1 | | | | |
| 023 | 162236-0 | SHIFT BUTTON | | 1 | | | | |
| 024 | 421946-1 | SEAL RING | | 1 | | | | |
| 025 | 345480-6 | SLIDE PLATE | | 1 | | | | |
| 026 | 214170-1 | PLANE BEARING 14A | | 1 | | | | |
| 027 | 341462-6 | PLATE | | 1 | | | | |
| 028 | 911225-0 | PAN HEAD SCREW M5X16 | | 2 | | | | |
| 029 | 168405-1 | SLIDER | | 1 | | | | |
| 030 | 214170-1 | PLANE BEARING 14A | | 1 | | | | |
| 031 | 341462-6 | PLATE | | 1 | | | | |
| 032 | 911225-0 | PAN HEAD SCREW M5X16 | | 2 | | | | |
| 033 | 265148-7 | TORX SOCKET HEAD SCREW M5X14 | | 2 | | | | |
| 034 | 344795-8 | PLATE C | | 1 | | | | |
| 035 | 265148-7 | TORX SOCKET HEAD SCREW M5X14 | | 2 | | | | |
| 036 | 344795-8 | PLATE C | | 1 | | | | |
| 037 | 212959-1 | NEEDLE BEARING 708 | | 1 | | | | |
| 038 | 125423-2 | GEAR ASS'Y | | 1 | | | | |
| D10 | | INC. 39 | | | | | | |
| 039 | 212080-6 | NEEDLE BEARING 1012 | | 1 | | | | |
| 040 | 253797-2 | FLAT WASHER 14 | | 1 | | | | |
| 041 | 232222-6 | LEAF SPRING B | | 1 | | | | |
| 042 | 345479-1 | SHOE GUIDE | | 1 | | | | |
| 043 | 265165-7 | TORX SOCKET C.S. HEADSCREW M6X | | 1 | | | | |
| 044 | 266041-8 | TAPPING SCREW 5X25 | | 4 | | | | |
| 045 | 154812-4 | GEAR HOUSING COMPLETE | | 1 | | | | |
| 046 | 912207-5 | COUNTERSUNK HEAD SCREW M5X10 | | 2 | | | | |

Model No. DJR181 CORDLESS RECIPRO SAW

| Item | Parts No. | Description | I/C | Qty | N/O | Opt. 1 | Opt. 2 | Note |
|------|-----------|-------------------------------|-----|-----|-----|--------|--------|------|
| 047 | 951057-3 | SPRING PIN 3-12 | | 1 | | | | |
| 048 | 313127-0 | JOINT | | 1 | | | | |
| 049 | 233455-6 | COMPRESSION SPRING 7 | | 1 | | | | |
| 050 | 262561-0 | SLEEVE 6 | | 1 | | | | |
| 051 | 281218-4 | HOOK | | 1 | | | | |
| 052 | 264002-2 | SQUARE NUT M5 | | 2 | | | | |
| 053 | 125321-0 | HOOK ASS'Y | | 1 | | | | |
| D10 | | INC. 47-51 | | | | | | |
| 054 | 961052-5 | RETAINING RING S-12 | | 1 | | | | |
| 055 | 210102-6 | BALL BEARING 6001DDW | | 1 | | | | |
| 056 | 961016-9 | STOP RING E-10 | | 1 | | | | |
| 057 | 911225-0 | PAN HEAD SCREW M5X16 | | 2 | | | | |
| 058 | 285726-7 | BEARING RETAINER 63 | | 1 | | | | |
| 059 | 241869-5 | FAN 55 | | 1 | | | | |
| 060 | 519176-7 | ARMATURE ASS'Y 18V | | 1 | | | | |
| D10 | | INC. 59,61 | | | | | | |
| 061 | 210062-2 | BALL BEARING 607ZZ | | 1 | | | | |
| 062 | 419333-6 | BAFFLE PLATE | | 1 | | | | |
| 063 | 638107-8 | YOKE UNIT | | 1 | | | | |
| 064 | 419327-1 | COVER | | 1 | | | | |
| 065 | 419330-2 | MOTOR HOUSING | | 1 | | | | |
| 066 | 266292-3 | TAPPING SCREW 4X65 | | 2 | | | | |
| 067 | 643941-3 | BRUSH HOLDER CAP | | 2 | | | | |
| 068 | 194435-6 | CARBON BRUSH CB-441 | | 1 | | | | |
| 069 | 643949-7 | BRUSH HOLDER R | | 1 | | | | |
| 070 | 815E72-0 | DJR181 NAME PLATE | | 1 | | | | |
| 071 | 187485-8 | HANDLE SET | | 1 | | | | |
| D10 | | INC. 82 | | | | | | |
| 072 | 644808-8 | TERMINAL | | 1 | | | | |
| 073 | 419336-0 | SWITCH LEVER | | 1 | | | | |
| 074 | 650647-6 | SWITCH C3LA-2A-LLMS | | 1 | | | | |
| 075 | 232152-1 | LEAF SPRING | | 1 | | | | |
| 076 | 419334-4 | LOCK OFF BUTTON | | 1 | | | | |
| 077 | 631690-4 | POWER SUPPLY CIRCUIT | | 1 | | | | |
| 078 | 643815-8 | BRUSH HOLDER | | 1 | | | | |
| 079 | 911006-2 | PAN HEAD SCREW M3X8 | | 1 | | | | |
| 080 | 689116-0 | HEAT SINK | | 1 | | | | |
| 081 | 266045-0 | TAPPING SCREW 4X20 | | 6 | | | | |
| 082 | 187485-8 | HANDLE SET | | 1 | | | | |
| D10 | | INC. 71 | | | | | | |
| A01 | B-05169 | RECIPROSAWBLADE FOR METAL | | 1 | | | | |
| A02 | B-05175 | RECIPROSAWBLADE FOR WOOD | | 1 | | | | |
| A03C | 141354-7 | PLASTIC CARRYING CASE COMPLET | | 1 | | | | |
| C10 | 163455-1 | LATCH | | 2 | | | | |
| A04C | ***DC18RC | DC18RC FAST CHARGER | | 1 | | | | |
| A05C | 194204-5 | BATTERY BL1830 SET | | 2 | | | | |
| A06C | 802T81-8 | DJR181RFE PLASTIC CASE LABEL | | 1 | | | | |
| A07C | 450128-8 | BATTERY COVER | | 1 | | | | |