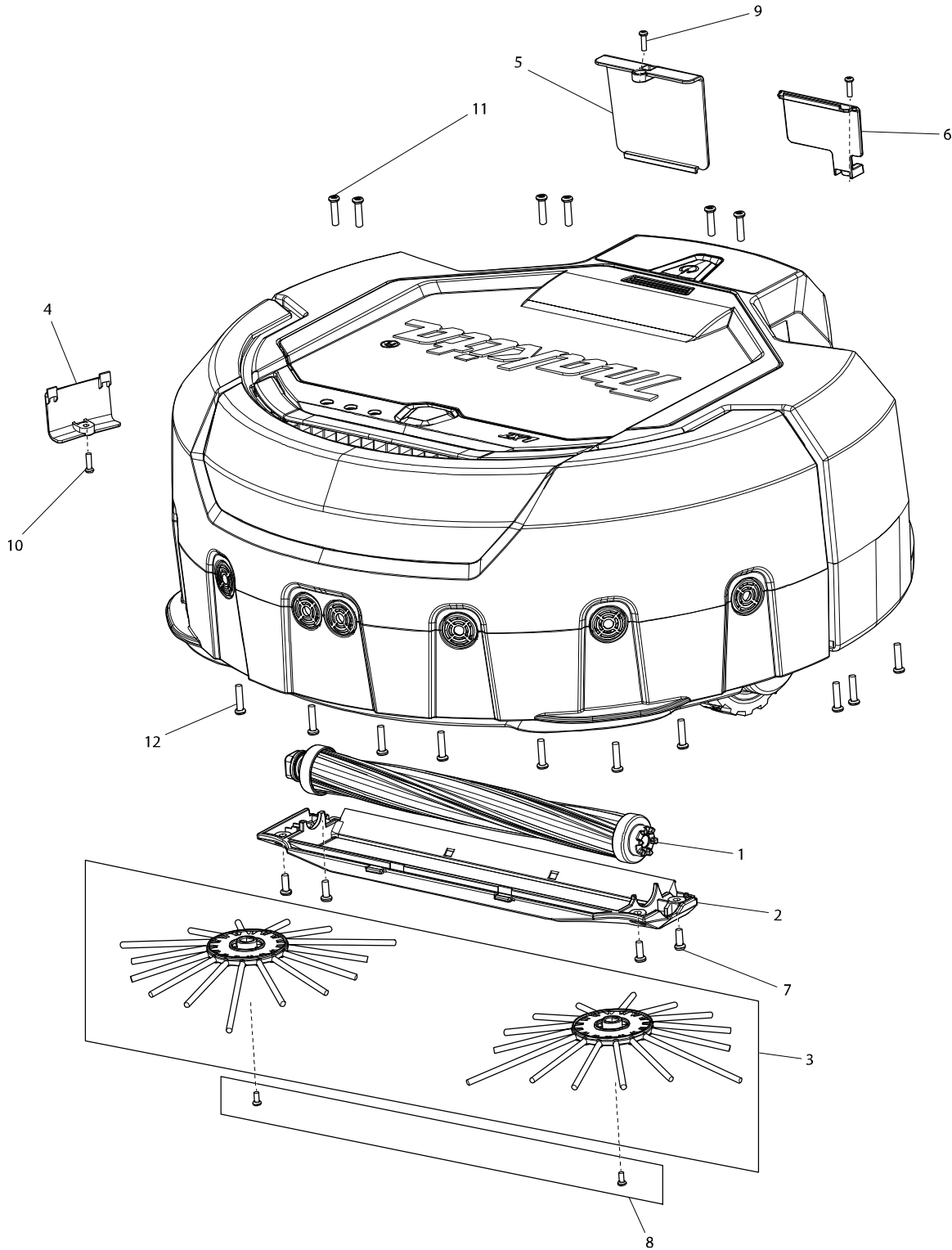
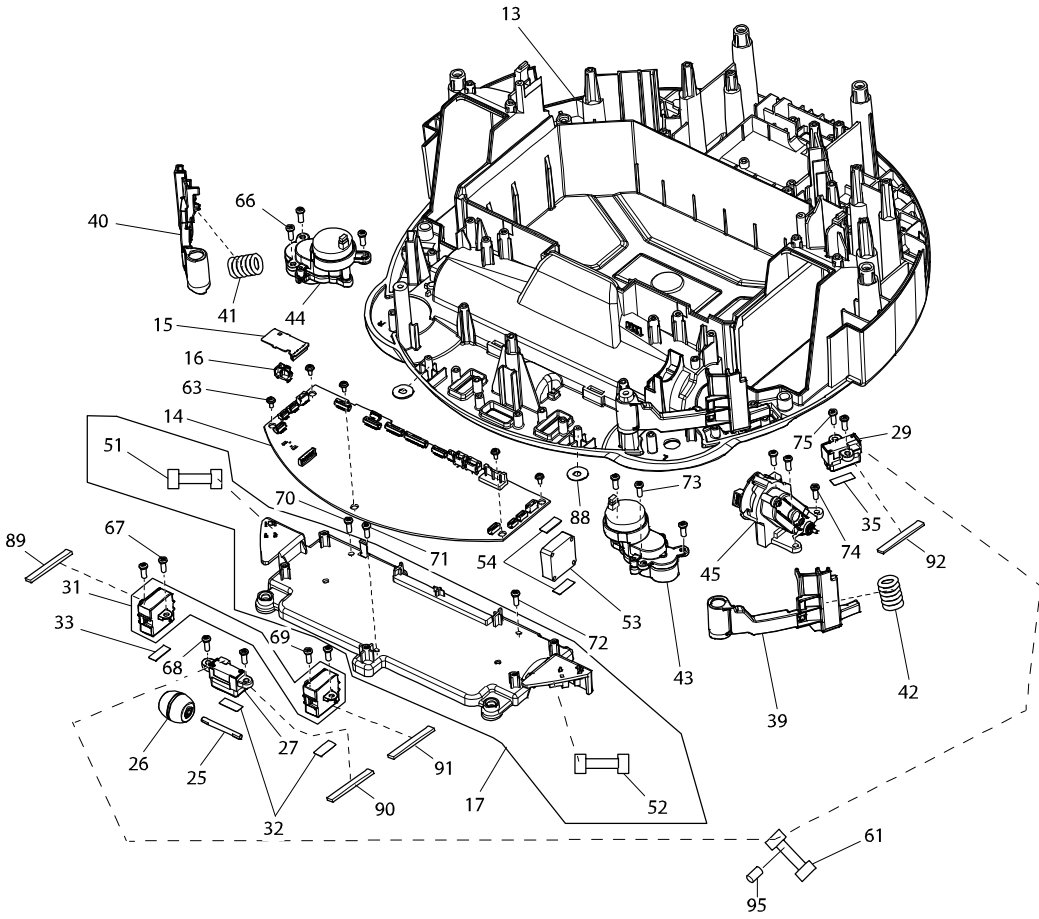


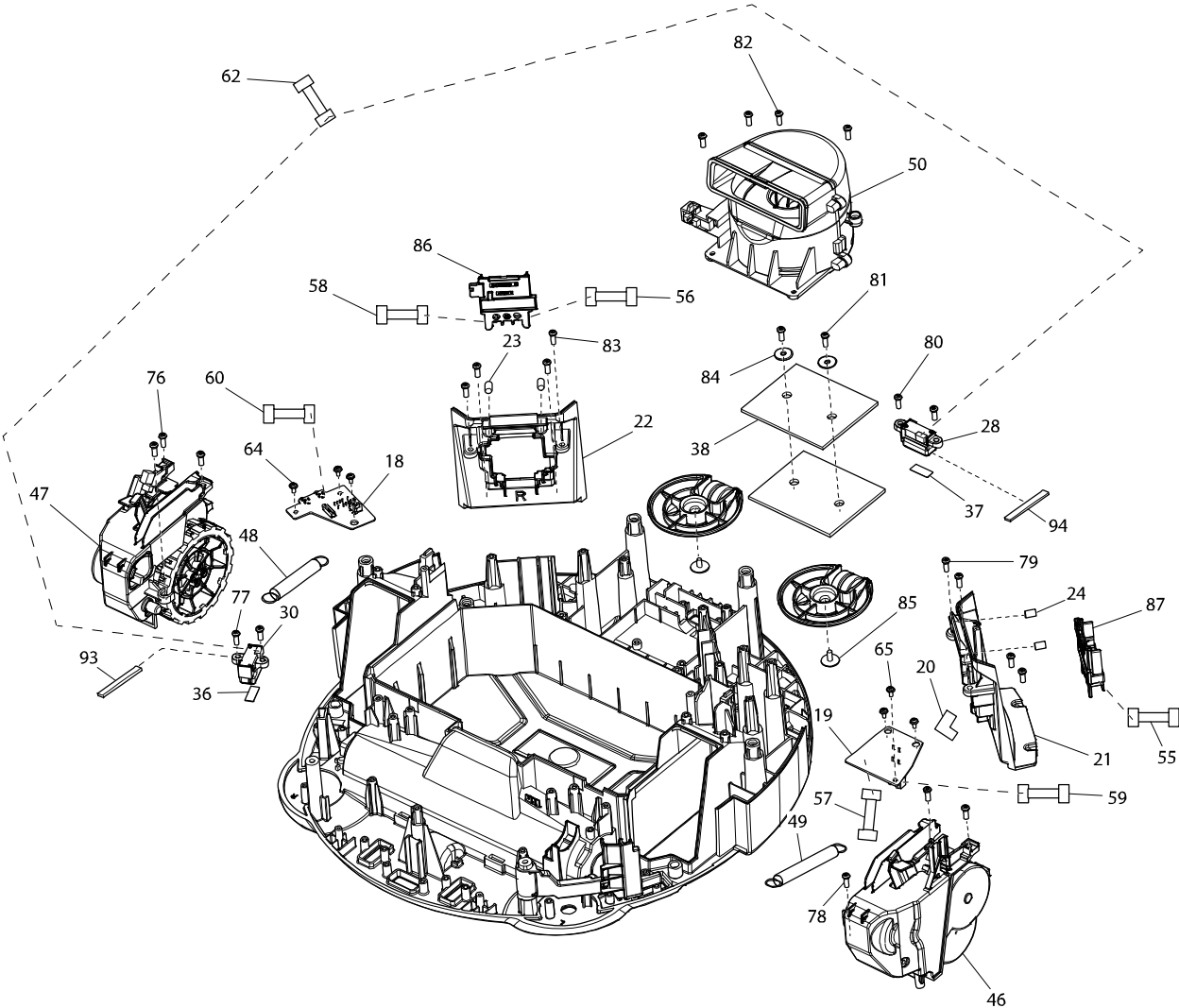
Model No. DRC200 ROBOTIC CLEANER



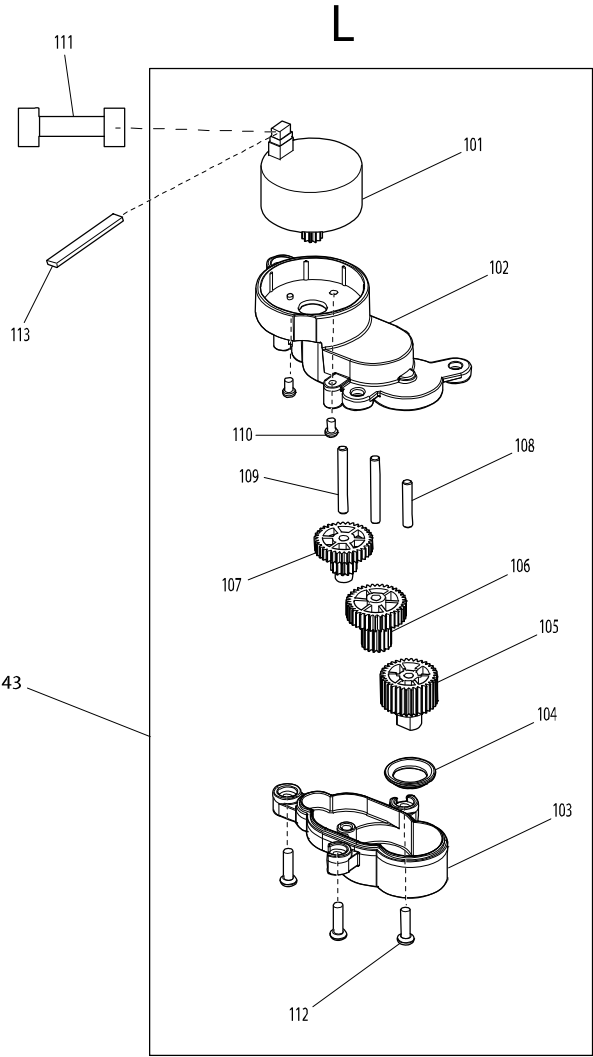
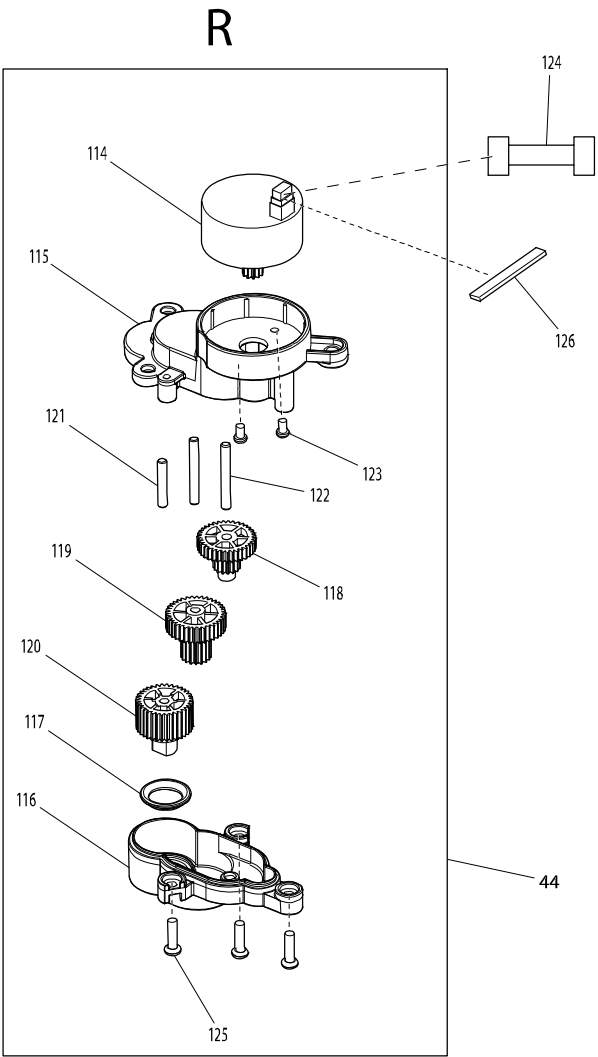
Model No. DRC200 ROBOTIC CLEANER



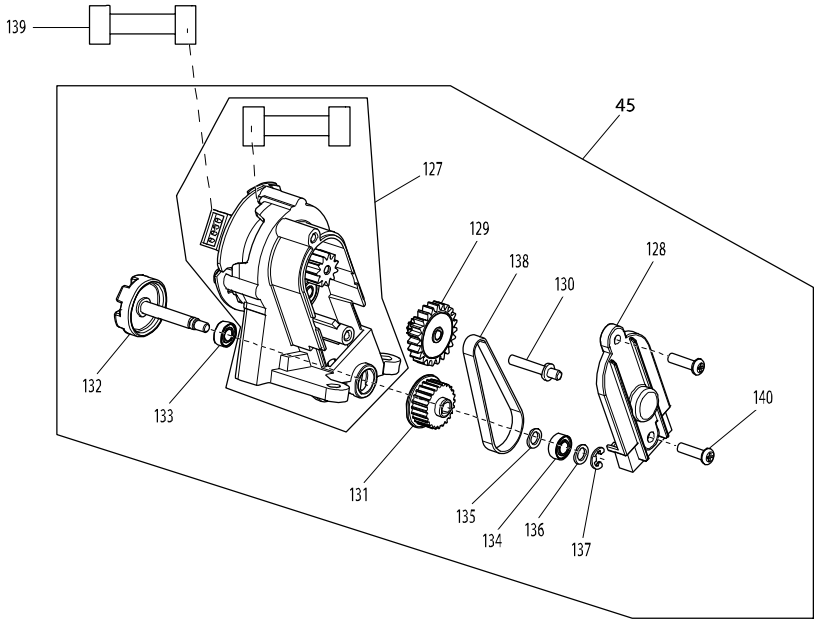
Model No. DRC200 ROBOTIC CLEANER



Model No. DRC200 ROBOTIC CLEANER



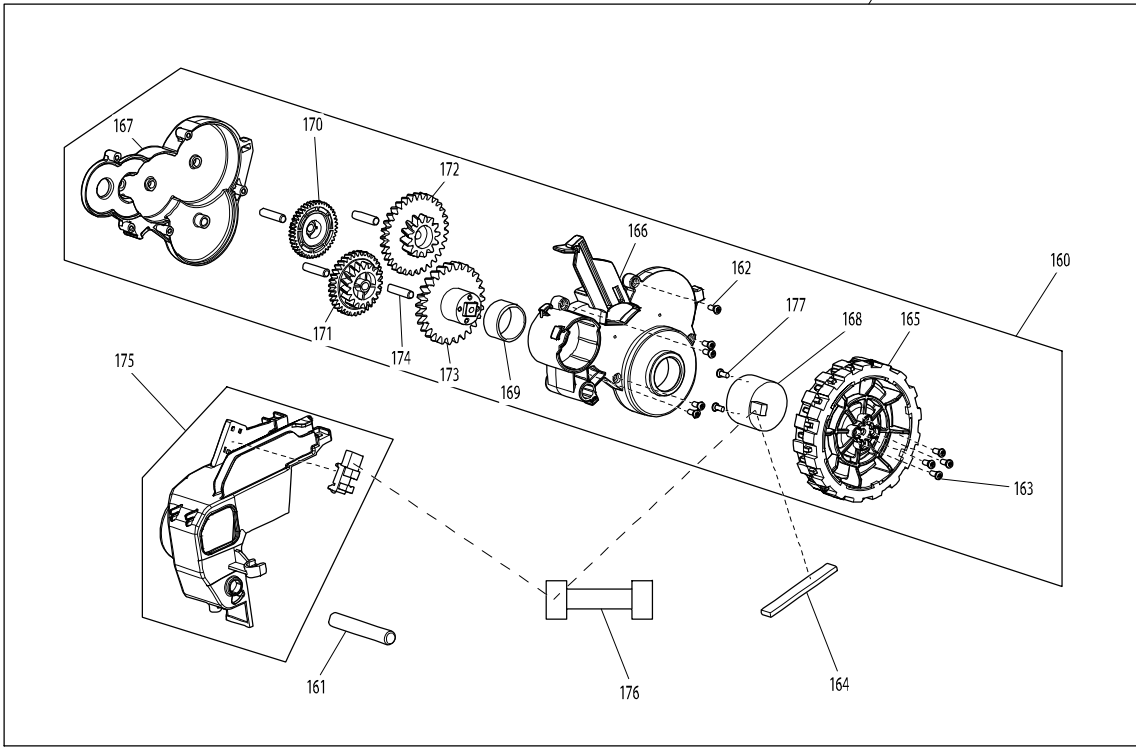
Model No. DRC200 ROBOTIC CLEANER



# Model No. DRC200 ROBOTIC CLEANER

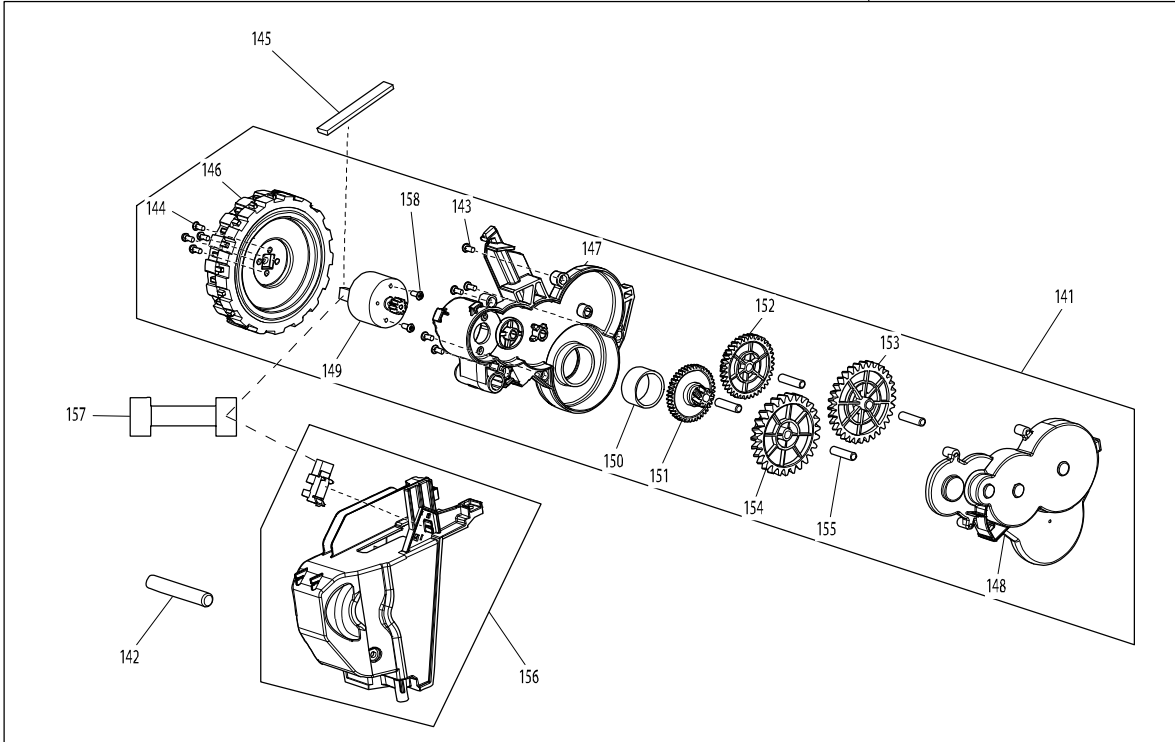
## R

47

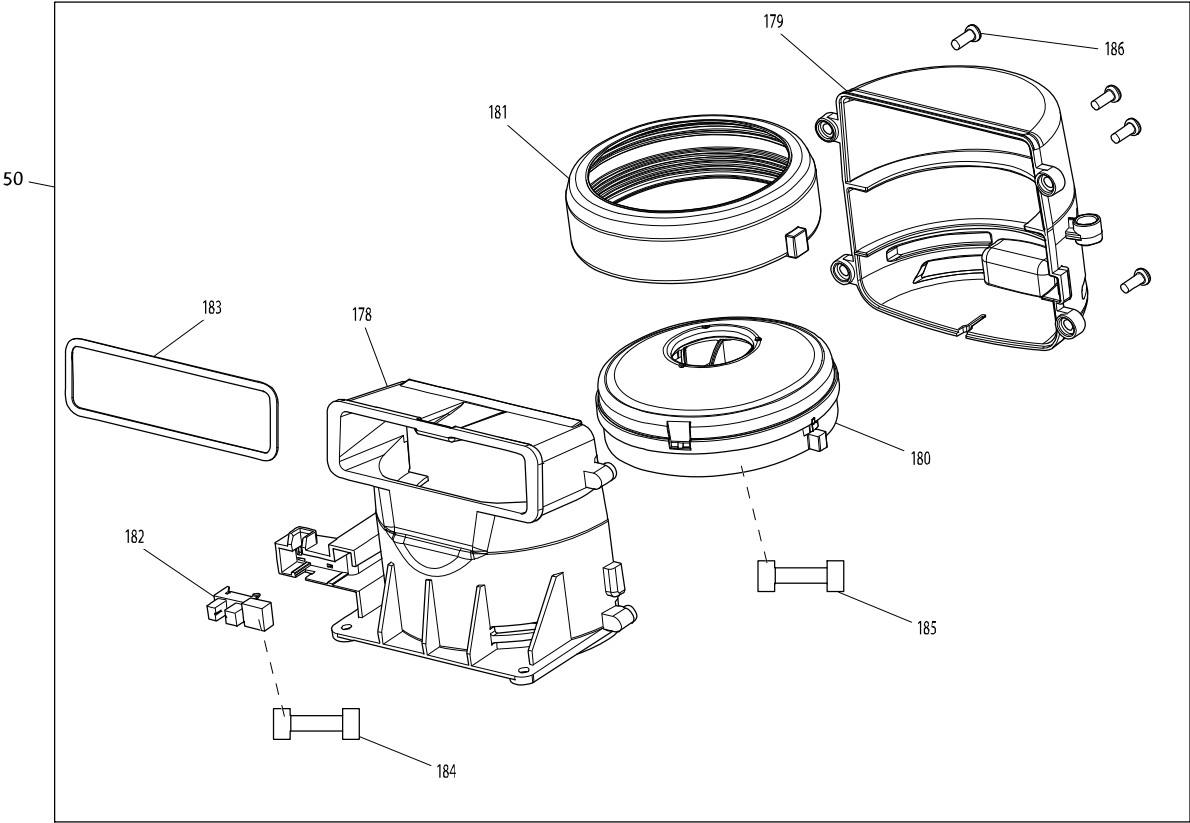


## L

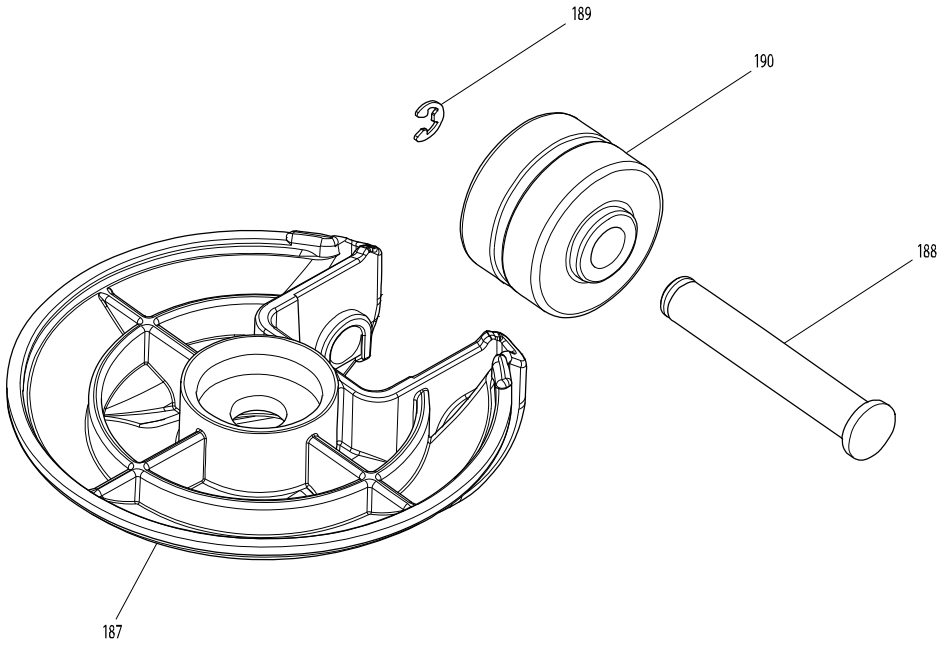
46



Model No. DRC200 ROBOTIC CLEANER

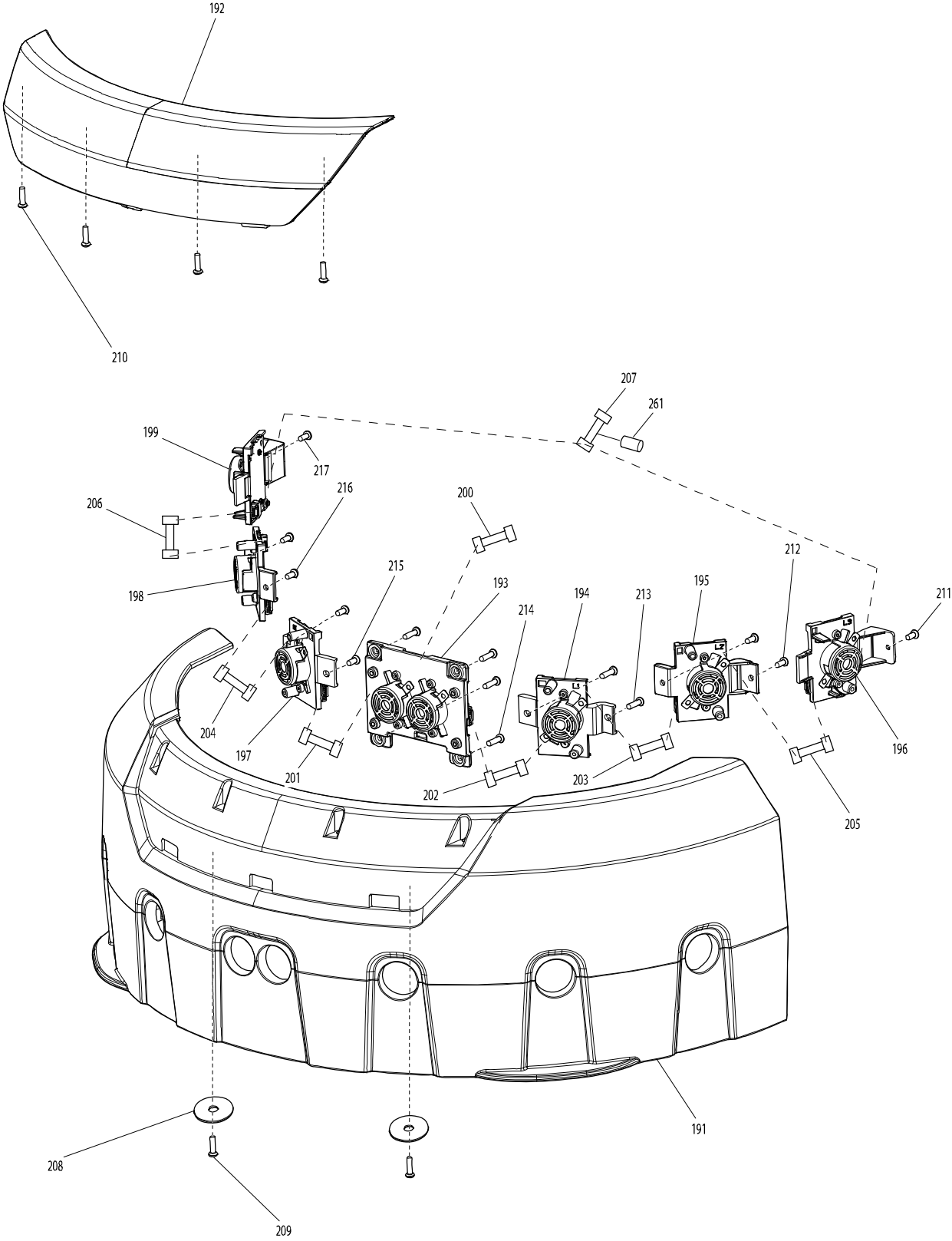


Model No. DRC200 ROBOTIC CLEANER

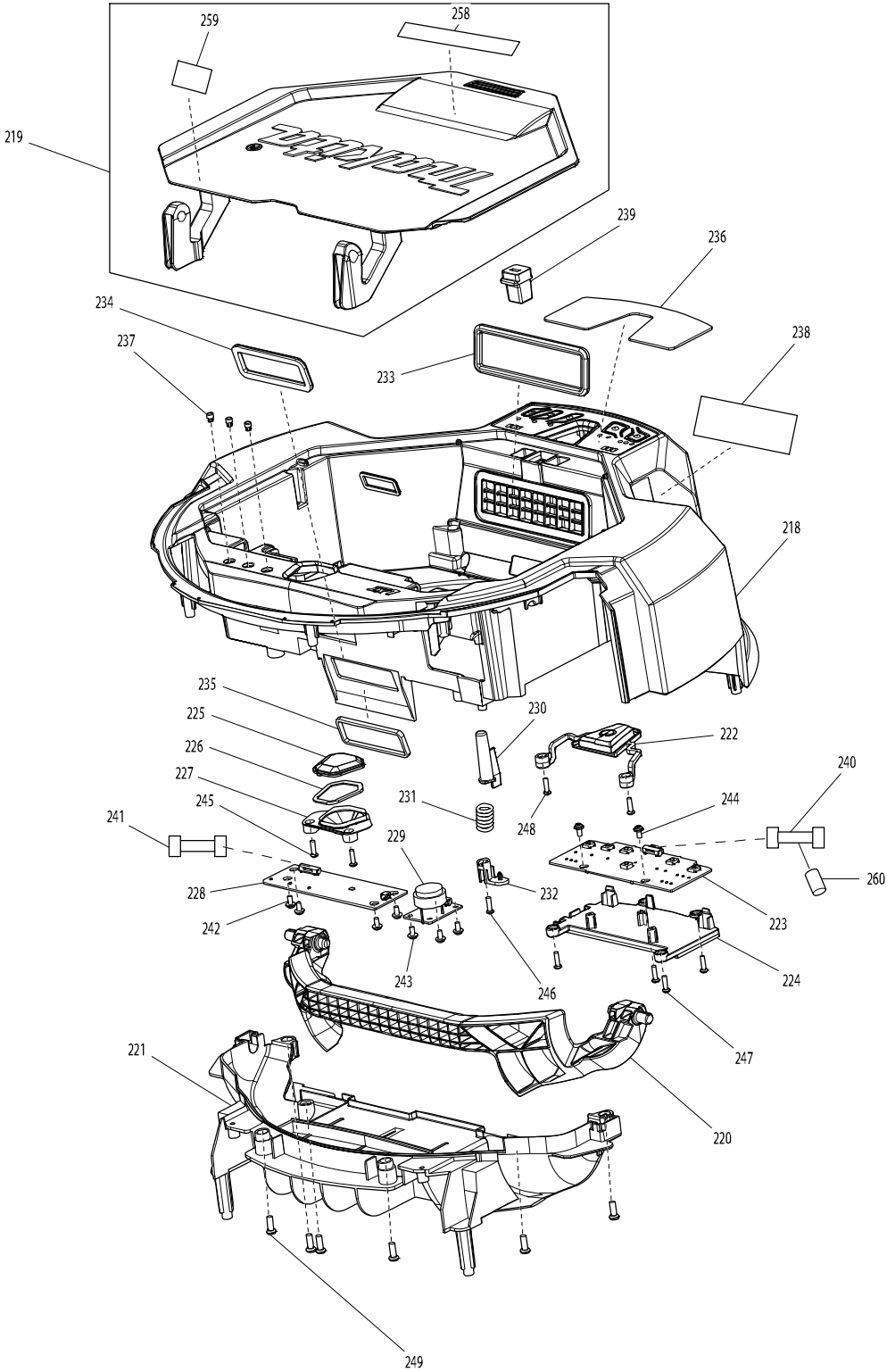




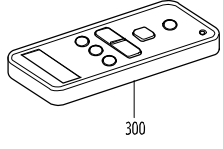
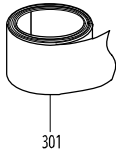
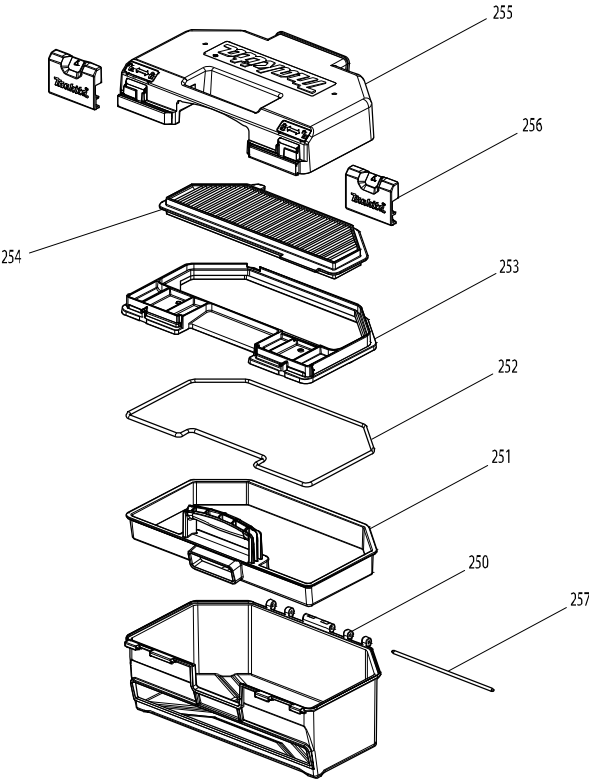
Model No. DRC200 ROBOTIC CLEANER



Model No. DRC200 ROBOTIC CLEANER



Model No. DRC200 ROBOTIC CLEANER



## Model : DRC200 ROBOTIC CLEANER

Item	Sub	Parts No.	Parts Description	Qty
1		SH00000063	MAIN BRUSH ASSY	1
2		SH00000064	BOTTOM PLATE ASSY	1
3		SH00000065	SIDE BRUSH ASSY 2PCS	1
4		SH00000066	FW COVER	1
5		SH00000067	CABLE COVER R	1
6		SH00000068	CABLE COVER L	1
7		SH00000069	SCREW(M4X8 MACHIN)	4
8		SH00000070	SB SCREW ASSY 2PCS	1
9		SH00000071	SCREW(M3X10)	2
10		SH00000071	SCREW(M3X10)	1
11		SH00000221	SCREW(M4X16)	6
12		SH00000221	SCREW(M4X16)	10
13		SH00000072	LOWER BODY ASSY	1
14		SH00000073	CONTROL PWB ASSY	1
15		SH00000241	RF MODULE	1
16		SH00000075	RF HOLDER	1
17		SH00000076	CONTROL HOLDER ASSY INC. 51,52	1
18		SH00000078	AS PWB ASSY	1
19		SH00000079	BATTERY PWB ASSY	1
20		SH00000080	INSULATING SHEET	1
21		SH00000081	TERMINAL HOLDER L	1
22		SH00000082	TERMINAL HOLDER R	1
23		SH00000083	RUBBER PIN	2
24		SH00000083	RUBBER PIN	2
25		SH00000084	FRONT ROLLER SHAFT	1
26		SH00000085	FRONT ROLLER ASSY	1
27		SH00000086	IR SENSOR C ASSY	1
28		SH00000086	IR SENSOR C ASSY	1
29		SH00000087	IR SENSOR S ASSY	1
30		SH00000087	IR SENSOR S ASSY	1
31		SH00000088	BL SENSOR ASSY	1
32		SH00000222	SENSOR LENS SHEET	2
33		SH00000222	SENSOR LENS SHEET	1
35		SH00000222	SENSOR LENS SHEET	1
36		SH00000222	SENSOR LENS SHEET	1
37		SH00000222	SENSOR LENS SHEET	1
38		SH00000089	WEIGHT PLATE	2
39		SH00000090	BUMPER ANGLE L	1
40		SH00000091	BUMPER ANGLE R	1
41		SH00000092	BUMPER SPRING	1
42		SH00000092	BUMPER SPRING	1

43		SH0000093	SB UNIT L ASSY INC. 101-110,112	1
44		SH0000094	SB UNIT R ASSY INC. 114-123,125	1
45		SH0000095	PB SUPPORT S ASSY INC. 127-138,140	1
46		SH0000096	MAIN WHEEL L ASSY INC. 141,142,145,156,157	1
47		SH0000097	MAIN WHEEL R ASSY INC. 160,161,164,175,176	1
48		SH0000098	WHEEL SPRING	1
49		SH0000098	WHEEL SPRING	1
50		SH0000099	AIR DUCT UNIT ASSY INC. 178-186	1
51		SH0000101	BUMPER SW CABLE	1
52		SH0000101	BUMPER SW CABLE	1
53		SH0000223	COOLING FAN S ASSY	1
54		SH0000224	COOLING FAN SEAL	2
55		SH0000104	BATTERY CABLE L	1
56		SH0000105	BATTERY CABLE R	1
57		SH0000106	BATTERY PS CABLE	1
58		SH0000107	BATTERY SIGNAL CABLE	1
59		SH0000108	BATTERY EARTH CABLE	1
60		SH0000109	AS CABLE	1
61		SH0000242	CLIFF SENSOR CABLE L	1
62		SH0000243	CLIFF SENSOR CABLE R	1
63		SH0000110	SCREW(M3X8XWASHER8)	5
64		SH0000110	SCREW(M3X8XWASHER8)	3
65		SH0000110	SCREW(M3X8XWASHER8)	3
66		SH0000111	SCREW(M4X10)	3
67		SH0000111	SCREW(M4X10)	2
68		SH0000111	SCREW(M4X10)	2
69		SH0000111	SCREW(M4X10)	2
70		SH0000111	SCREW(M4X10)	1
71		SH0000111	SCREW(M4X10)	1
72		SH0000111	SCREW(M4X10)	1
73		SH0000111	SCREW(M4X10)	3
74		SH0000111	SCREW(M4X10)	3
75		SH0000111	SCREW(M4X10)	2
76		SH0000111	SCREW(M4X10)	3
77		SH0000111	SCREW(M4X10)	2
78		SH0000111	SCREW(M4X10)	3
79		SH0000111	SCREW(M4X10)	4
80		SH0000111	SCREW(M4X10)	2
81		SH0000111	SCREW(M4X10)	2
82		SH0000111	SCREW(M4X10)	4
83		SH0000111	SCREW(M4X10)	4
84		SH0000112	WASHER(4.5X13XT1)	2
85		SH0000113	SCREW(M5X10XWASHER16)	2
86		643899-6	TERMINAL	1

87		643899-6	TERMINAL	1
88		SH00000226	PC WASHER	2
89		SH00000236	SENSOR LENZ SEAL	1
90		SH00000236	SENSOR LENZ SEAL	1
91		SH00000236	SENSOR LENZ SEAL	1
92		SH00000236	SENSOR LENZ SEAL	1
93		SH00000236	SENSOR LENZ SEAL	1
94		SH00000236	SENSOR LENZ SEAL	1
95		SH00000244	FERRITE CORE	4
101		SH00000114	MOTOR S ASSY	1
102		SH00000115	SB MOTOR HOLDER L	1
103		SH00000116	SB MOTOR COVER	1
104		SH00000117	SB METAL	1
105		SH00000118	SB GEAR 4 ASSY	1
106		SH00000119	SB GEAR 3	1
107		SH00000120	SB GEAR 2	1
108		SH00000121	COMMON SHAFT 1	1
109		SH00000122	SB GEAR SHAFT 1	2
110		SH00000123	SCREW(M2.6X4 MACHINE)	2
111		SH00000124	SIDE BRUSH CABLE	1
112		SH00000071	SCREW(M3X10)	3
113		SH00000227	MOTOR SEAL	1
114		SH00000114	MOTOR S ASSY	1
115		SH00000125	SB MOTOR HOLDER R	1
116		SH00000116	SB MOTOR COVER	1
117		SH00000117	SB METAL	1
118		SH00000120	SB GEAR 2	1
119		SH00000119	SB GEAR 3	1
120		SH00000118	SB GEAR 4 ASSY	1
121		SH00000121	COMMON SHAFT 1	1
122		SH00000122	SB GEAR SHAFT 1	2
123		SH00000123	SCREW(M2.6X4 MACHINE)	2
124		SH00000124	SIDE BRUSH CABLE	1
125		SH00000071	SCREW(M3X10)	3
126		SH00000227	MOTOR SEAL	1
127		SH00000126	PB MOTOR D ASSY	1
128		SH00000127	PB SUPPORT COVER K	1
129		SH00000129	PB BELT GEAR 2	1
130		SH00000130	BELT GEAR SHAFT	1
131		SH00000131	PB BELT GEAR 3	1
132		SH00000132	PB HOLDER ASSY	1
133		SH00000133	BEARING	1
134		SH00000133	BEARING	1
135		SH00000134	P WASHER 050	1

136		SH00000134	P WASHER 050	1
137-1		SH00000228	E RING	1
138		SH00000136	TIMING BELT	1
139		SH00000137	PB MOTOR CABLE	1
140		SH00000071	SCREW(M3X10)	2
141		SH00000139	MAIN WHEEL L UNIT INC. 143,144,146-155,158	1
142		SH00000152	MAIN WHEEL SHAFT	1
143		SH00000071	SCREW(M3X10)	5
144		SH00000229	SCREW(M3X10)	4
145		SH00000227	MOTOR SEAL	1
146		SH00000150	WHEEL L ASSY	1
147		SH00000140	WHEEL GEAR BOX L	1
148		SH00000141	WHEEL GEAR COVER L	1
149		SH00000142	MW MOTOR S ASSY	1
150		SH00000143	WHEEL METAL RING	1
151		SH00000144	WHEEL GEAR 2	1
152		SH00000145	WHEEL GEAR 3	1
153		SH00000146	WHEEL GEAR 4	1
154		SH00000147	WHEEL GEAR 5	1
155		SH00000148	WHEEL GEAR SHAFT 1	4
156		SH00000151	WHEEL L UNIT COVER	1
157		SH00000153	WHEEL CABLE	1
158		SH00000123	SCREW(M2.6X4 MACHINE)	2
160		SH00000154	MAIN WHEEL R UNIT INC. 162,163,165-174,177	1
161		SH00000152	MAIN WHEEL SHAFT	1
162		SH00000071	SCREW(M3X10)	5
163		SH00000229	SCREW(M3X10)	4
164		SH00000227	MOTOR SEAL	1
165		SH00000157	WHEEL R ASSY	1
166		SH00000155	WHEEL GEAR BOX R	1
167		SH00000156	WHEEL GEAR COVER R	1
168		SH00000142	MW MOTOR S ASSY	1
169		SH00000143	WHEEL METAL RING	1
170		SH00000144	WHEEL GEAR 2	1
171		SH00000145	WHEEL GEAR 3	1
172		SH00000146	WHEEL GEAR 4	1
173		SH00000147	WHEEL GEAR 5	1
174		SH00000148	WHEEL GEAR SHAFT 1	4
175		SH00000158	WHEEL R UNIT COVER	1
176		SH00000153	WHEEL CABLE	1
177		SH00000123	SCREW(M2.6X4 MACHINE)	2
178		SH00000159	AIR DUCT FRONT	1
179		SH00000160	AIR DUCT REAR	1
180		SH00000161	FAN MOTOR UNIT ASSY	1

181		SH00000162	FAN CUSHION	1
182		SH00000077	PHOTO SENSOR	1
183		SH00000163	INTAKE SEAL	1
184		SH00000164	CUP SENSOR CABLE	1
185		SH00000165	FAN MOTOR CABLE	1
186		SH00000111	SCREW(M4X10)	4
187		SH00000166	REAR CASTER FRAME	2
188		SH00000167	REAR CASTER SHAFT	2
189		SH00000135	U RING	2
190		SH00000168	CASTER ASSY	2
191		SH00000169	BUMPER	1
192		SH00000170	BUMPER DECO	1
193		SH00000171	US HOLDER C ASSY	1
194		SH00000172	US HOLDER L1 ASSY	1
195		SH00000173	US HOLDER L2 ASSY	1
196		SH00000174	US HOLDER L3 ASSY	1
197		SH00000175	US HOLDER R1 ASSY	1
198		SH00000176	US HOLDER R2 ASSY	1
199		SH00000177	US HOLDER R3 ASSY	1
200		SH00000245	US CABLE C	1
201		SH00000179	US CABLE 1	1
202		SH00000179	US CABLE 1	1
203		SH00000180	US CABLE 2	1
204		SH00000180	US CABLE 2	1
205		SH00000181	US CABLE 3	1
206		SH00000181	US CABLE 3	1
207		SH00000182	US EARTH CABLE	1
208		SH00000183	WASHER(4.5/25/T1)	2
209		SH00000111	SCREW(M4X10)	2
210-1		SH00000184	SCREW(M3X6)	4
211		SH00000184	SCREW(M3X6)	1
212		SH00000184	SCREW(M3X6)	2
213		SH00000184	SCREW(M3X6)	2
214		SH00000184	SCREW(M3X6)	4
215		SH00000184	SCREW(M3X6)	2
216		SH00000184	SCREW(M3X6)	2
217		SH00000184	SCREW(M3X6)	1
218		SH00000185	UPPER BODY	1
219		SH00000247	CASE COVER K	1
220		SH00000187	HANDLE	1
221		SH00000188	HANDLE COVER	1
222		SH00000189	UI BUTTON	1
223		SH00000190	UI PWB ASSY	1
224		SH00000191	UI PWB HOLDER	1



225		SH00000192	LED LENS L	1
226		SH00000193	LED LENS SEAL	1
227		SH00000194	LED REFLECTOR	1
228		SH00000195	LED PWB ASSY	1
229		SH00000196	BUZZER PWB ASSY	1
230		SH00000197	FILTER BUTTON	1
231		SH00000198	FILTER BUTTON SP	1
232		SH00000199	FILTER BUTTON HOLDER	1
233		SH00000200	INTAKE PACKING	1
234		SH00000201	NOZZLE PACKING	1
235		SH00000202	NOZZLE SEAL	1
236		SH00000248	UI KEY SHEET	1
237		SH00000204	LED LENS S	3
238		SH00000205	EXHAUST FILTER ASSY	1
239		SH00000206	CATCH LATCH	1
240		SH00000249	UI CABLE	1
241		SH00000208	LED CABLE	1
242		SH00000110	SCREW(M3X8XWASHER8)	4
243		SH00000110	SCREW(M3X8XWASHER8)	3
244		SH00000110	SCREW(M3X8XWASHER8)	2
245		SH00000184	SCREW(M3X6)	2
246		SH00000071	SCREW(M3X10)	1
247		SH00000071	SCREW(M3X10)	4
248		SH00000071	SCREW(M3X10)	2
249		SH00000111	SCREW(M4X10)	6
250		SH00000209	DUST BOX LOWER	1
251		SH00000210	DUST CASE	1
252		SH00000211	DUST SEAL RING	1
253		SH00000212	DUST BOX UPPER	1
254		SH00000213	FILTER UNIT'S ASSY	1
255		SH00000214	DUST BOX COVER	1
256		SH00000215	DUST SLIDE LEVER	2
257		SH00000216	DUST BOX PIN	1
258		SH00000252	CAUTION LABEL	1
259		SH00000253	ROBOPRO LABEL	1
260		SH00000244	FERRITE CORE	1
261		SH00000244	FERRITE CORE	1
300		SH00000237	RF CONTROLLER ASSY	1
301		SH00000240	SENSOR WALL TAPE US AU	1