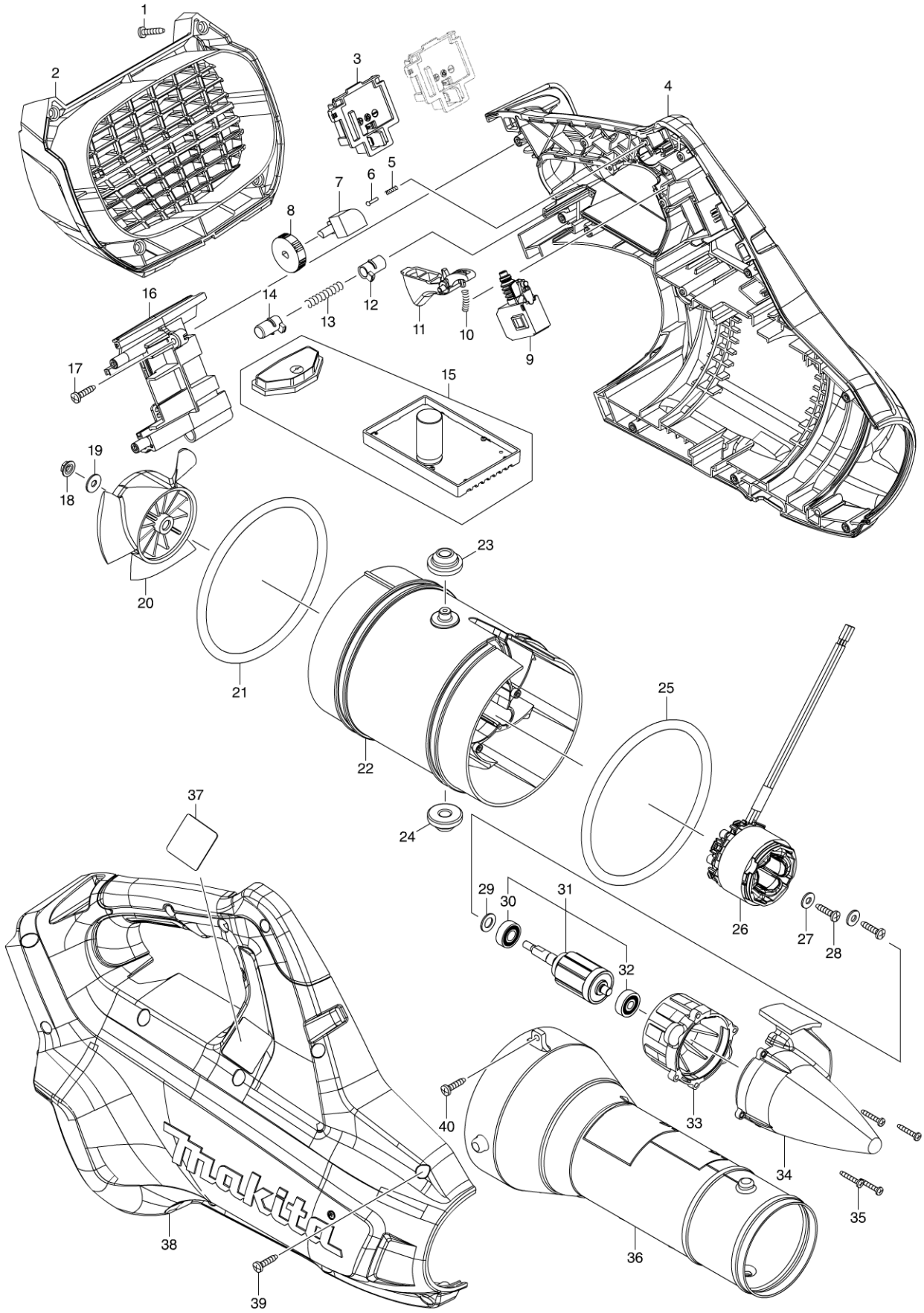


Model No. DUB362 CORDLESS BLOWER



Model No. DUB362 CORDLESS BLOWER

Item	Parts No.	Description	I/C	QTY	N/O	Opt. 1	Opt. 2	NOTE
001	266326-2	TAPPING SCREW 4X18		4				
002	455912-6	REAR COVER		1				
003	644808-8	TERMINAL		2				
004	183A81-6	HOUSING SET		1				
C10	263005-3	RUBBER PIN 6		2				
C20	806D81-4	CAUTION LABEL		1				
D10		INC. 38						
005	233002-3	COMPRESSION SPRING 3		1				
006	255058-6	RIVET 2		1				
007	620415-1	SUB CONTROLLER		1				
008	271427-3	DIAL 28		1				
009	650709-0	SWITCH C3JW-1A-P		1				
010	233101-1	COMPRESSION SPRING 4		1				
011	455913-4	SWITCH LEVER		1				
012	418881-2	LOCK ON BUTTON		1				
013	233092-6	COMPRESSION SPRING 5		1				
014	418881-2	LOCK ON BUTTON		1				
015	143166-4	CONTROLLER COMPLETE		1				
016	143146-0	CENTER CASE COMPLETE		1				
C10	263005-3	RUBBER PIN 6		2				
017	266326-2	TAPPING SCREW 4X18		2				
018	264111-7	CORNED DISK SPRING HEX.NUT M5		1				
019	253194-2	FLAT WASHER 5		1				
020	240158-5	FAN 110		1				
021	424721-4	RUBBER RING 115		1				
022	455907-9	MOTOR HOUSING		1				
023	424194-1	RUBBER RING 8		1				
024	424194-1	RUBBER RING 8		1				
025	424721-4	RUBBER RING 115		1				
026	629153-2	STATOR DC36V		1				
027	253184-5	FLAT WASHER 5		2				
028	266326-2	TAPPING SCREW 4X18		2				
029	253835-0	FLAT WASHER 8		1				
030	210040-2	BALL BEARING 698LLU		1				
031	519366-2	ROTOR ASS'Y		1				
D10		INC. 30,32						
032	210022-4	BALL BEARING 626DDW		1				
033	455908-7	MOTOR HOUSING COVER		1				
034	455909-5	CAP		1				
035	265935-4	TAPPING SCREW 3X20		4				
036	455914-2	FRONT NOZZLE		1				
037	850U44-4	DUB362 NAME PLATE		1				
038	183A81-6	HOUSING SET		1				
C10	263005-3	RUBBER PIN 6		2				
C20	806D81-4	CAUTION LABEL		1				
D10		INC. 4						
039	266326-2	TAPPING SCREW 4X18		12				
040	266326-2	TAPPING SCREW 4X18		2	*			

Please order the parts with a part number.

Print Date 29/09/2015

