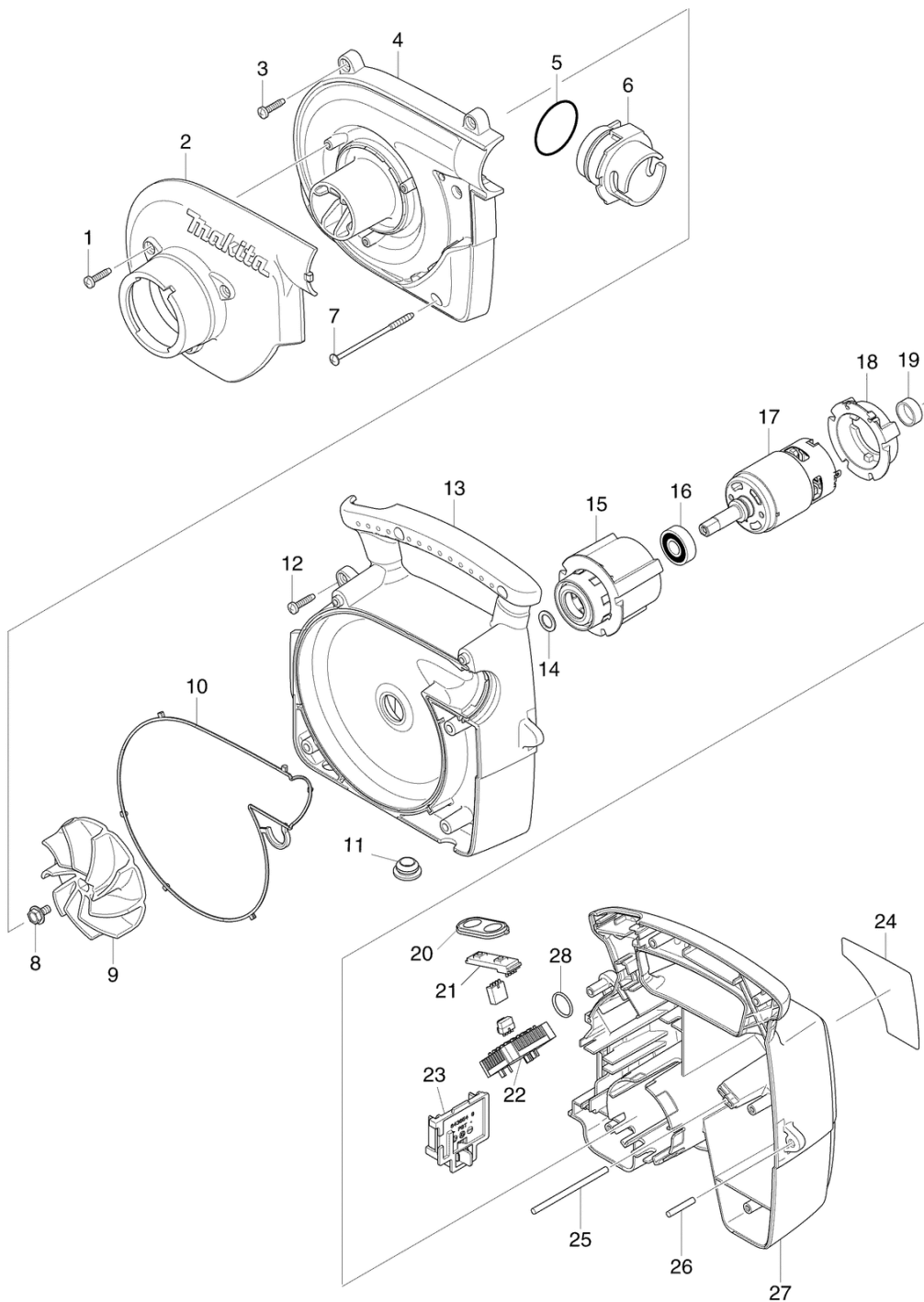




Makita Service Information / Model: BVC340





Makita Werkzeug Ges.m.b.H.

Kolpingstrasse 13, 1230 Wien

Tel: 01 / 616 27 30 - 0*

Fax: 01 / 616 27 30 - 40

Mail: verkauf@makita.at

Web: www.makita.at

Makita Service Information / Model: BVC340

| POS | Bestell-Nr. | Artikelbeschreibung | Stk. | Stk.Preis |
|------|-------------|--------------------------------|------|-----------|
| 1 | 265995-6 | SELBSTSCHN.SCHRA 4x18 BO5030 | 3 | N/A |
| 2 | 140642-9 | VORDERER DECKEL BVC340 | 1 | N/A |
| 3 | 265995-6 | SELBSTSCHN.SCHRA 4x18 BO5030 | 2 | N/A |
| 4 | 451989-9 | VENTILATORDECKEL BVC340 | 1 | N/A |
| 5 | 213508-7 | O-RING 38 HM0810/T/HM1202C | 1 | N/A |
| 6 | 452067-8 | ABSAUGADAPTER BVC340 | 1 | N/A |
| 7 | 266049-2 | SELBSTSCHNEID. SCHRAUBE 4X75 | 3 | N/A |
| 8 | 266614-7 | FLANSCHSCHRAUBE M5X10 BVC340 | 1 | N/A |
| 9 | 240122-6 | LÜFTERRAD 86 BVC340 | 1 | N/A |
| 10 | 424332-5 | DICHTUNG BVC340/350 | 1 | N/A |
| 11 | 286238-3 | KAPPE 19 BVC340 | 4 | N/A |
| 12 | 265995-6 | SELBSTSCHN.SCHRA 4x18 BO5030 | 3 | N/A |
| 13 | 188899-4 | MOTORGEHÄUSE BVC340 | 1 | N/A |
| 13 | | *** INC. 10,27 | | N/A |
| 14 | 267047-9 | BEILAGSCHEIBE 10 neu | 1 | N/A |
| 15 | 424330-9 | GUMMIRING A BVC340 | 1 | N/A |
| 16 | 210059-1 | KUGELLAGER 6000DDW/HM1203C | 1 | N/A |
| 17 | 629882-7 | MOTOR BVC340 | 1 | N/A |
| 18 | 424331-7 | GUMMIRING B BVC340 | 1 | N/A |
| 19 | 421940-3 | KAPPE 8390D/8391DWAE/DWALE | 1 | N/A |
| 20 | 140463-9 | SCHALTERDECKEL KPL BUB360 | 1 | N/A |
| 21 | 631973-2 | SCHALTEREINHEIT BUB360 | 1 | N/A |
| 22 | 631974-0 | REGELELEKTRONIK BVC340 | 1 | N/A |
| 22.2 | 638850-9 | REGELELEKTRONIK BVC340 | 1 | N/A |
| 23 | 643854-8 | KONTAKT BUH523 | 1 | N/A |
| 24 | 868108-4 | TYPENSCHILD BVC340 | 1 | N/A |
| 25 | 268092-7 | STIFT 4 HP2050/2070/F-Serie | 1 | N/A |
| 26 | 256206-0 | STIFT 4 T1022DW/HM1800/1801/ | 1 | N/A |
| 27 | 188899-4 | MOTORGEHÄUSE BVC340 | 1 | N/A |
| 27 | | *** INC. 10,13 | | N/A |
| 28 | 259048-1 | Ring BVC350 | 1 | N/A |
| 1001 | 122918-6 | STAUBSACK KPL. BVC340 | 1 | N/A |
| 1002 | 140456-6 | SCHLAUCH BVC340 | 1 | N/A |
| 1003 | 166094-6 | UMHÄNGRIEMEN BVC340 | 1 | N/A |
| 1004 | 132025-7 | GUMMIDÜSE KPL. 4014NV/UB120DWB | 1 | N/A |
| 1005 | 417766-9 | STAUBSACKANSCHLUSS BVC340 | 1 | N/A |