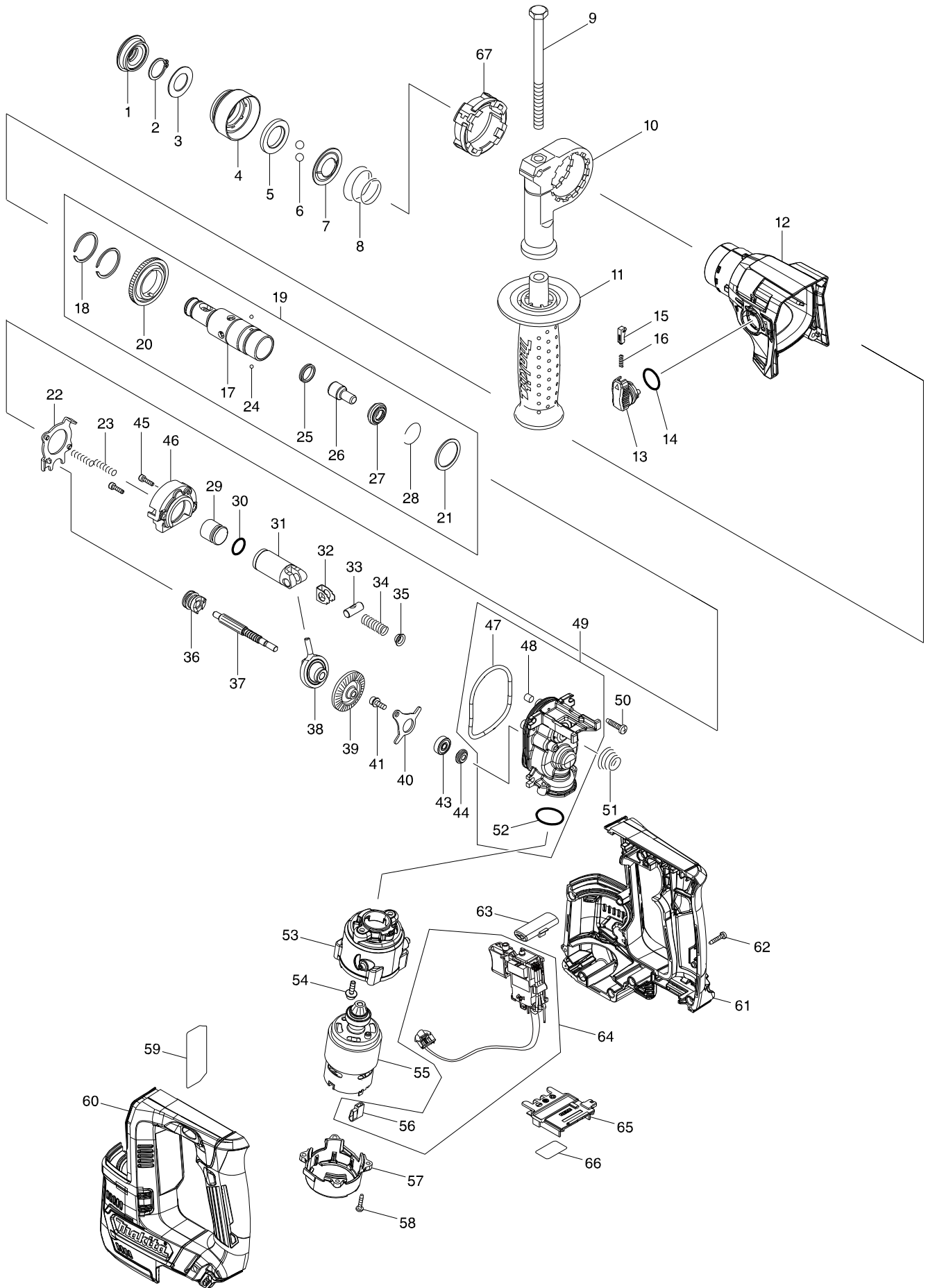


Model No. HR140D 14MM CORDLESS ROTARY HAMMER



Model No. HR140D 14MM CORDLESS ROTARY HAMMER

Item	Parts No.	Description	I/C	QTY	N/O	Opt. 1	Opt. 2	NOTE
001	286037-3	CAP 34		1		40169390		
002	961057-5	RETAINING RING S-17		1		73182990		
003	253377-4	FLAT WASHER 17		1		84679900		
004	457214-6	CHUCK COVER		1		84679900		
005	257416-2	RING 21		1		73182990		
006	216022-2	STEEL BALL 7.0		2		73182990		
007	346177-0	GUIDE WASHER		1		73182200		
008	232347-6	CONICAL COMP. SPRING 21-29		1		73209090		
009	921923-8	HEX. BOLT M8X120		1		73181500		
010	417911-6	GRIP BASE		1		84679900		
011	158057-6	GRIP 36 COMPLETE		1		84679900		
C10	931402-8	HEX. NUT M8		1		73181500		
012	144575-0	GEAR HOUSING COMPLETE		1				
C10	211375-4	BALL BEARING 6805LLB		1		84821090		
C20	213788-5	OIL SEAL 25		1				
013	161569-0	CHANGE LEVER COMPLETE		1		84679900		
014	213278-8	O RING 17		1		40169320		
015	161568-2	LOCK BUTTON COMPLETE		1		84679900		
016	232344-2	COMPRESSION SPRING 3		1		73209090		
017	326841-9	TOOL HOLDER		1		82078000		
018	961135-1	RETAINING(EXT) WR-25		2				
019	135933-1	TOOL HOLDER ASS'Y		1				
D10		INC. 17,18,20,21,24-28						
020	221483-3	SPUR GEAR 57		1		84834000		
021	267175-0	FLAT WASHER 24		1		73182200		
022	161570-5	CHANGE PLATE COMPLITE		1		84679900		
023	233194-8	COMPRESSION SPRING 4		2				
024	216019-1	STEEL BALL 3		2		73182990		
025	213183-9	X RING 13		1		40169320		
026	326843-5	IMPACT BOLT		1		73181500		
027	326842-7	RING 10		1		73182990		
028	232343-4	RING SPRING 23		1		73209090		
029	326995-2	STRIKER		1				
030	213128-7	O RING 12		1		40169320		
031	319510-9	PISTON CYLINDER		1		84679900		
032	347101-6	GUIDE PLATE		1		73182990		
033	326846-9	PISTON JOINT		1		84679900		
034	232346-8	COMPRESSION SPRING 8		1		73209090		
035	347102-4	SPRING GUIDE		1		73182990		
036	326845-1	CLUTCH CAM		1		84831099		
037	221482-5	SPUR GEAR 8		1		84834000		
038	219026-3	SWASH BEARING 6		1		84821090		
039	221553-8	SPIRAL BEVEL GEAR 37		1				
040	347100-8	BEARING RETAINER		1		73182990		
041	266273-7	HEX. SOCKET HEAD BOLT M4X12		1		73181500		
043	210065-6	BALL BEARING 625ZZ		1				
044	326847-7	RING 5		1		73182990		
045	265910-0	HEX. SOCKET HEAD BOLT M3X12		2		73181500		

Model No. HR140D 14MM CORDLESS ROTARY HAMMER

Item	Parts No.	Description	I/C	QTY	N/O	Opt. 1	Opt. 2	NOTE
046	144219-2	INNER SUPPORT COMPLETE		1		84679900		
047	213092-2	O-RING 60		1		40169320		
048	443138-2	FILTER		1		84219900		
049	135926-8	INNER HOUSING ASSEMBLY		1				
D10		INC. 47,48,52						
050	265995-6	TAPPING SCREW 4X18		4		73181500		
051	232345-0	CONICAL COMP. SPRING 8-19		1		73209090		
052	213008-7	O RING 22.4		1		40169320		
053	457784-5	MOTOR CASE A		1				
054	251565-7	H. S. HEAD BOLT M4X14		2				
055	629285-5	DC MOTOR		1				
C10	213162-7	O RING 14		1		40169320		
056	686039-3	RECEPTACLE SLEEVE		1		73182990		
057	457785-3	MOTOR CASE B		1				
058	266130-9	TAPPING SCREW BIND PT 3X16		4		73181500		
059	853R23-3	HR140D NAME PLATE		1				
060	183H16-9	HOUSING SET		1				
C10	252126-6	HEX. LOCKING NUT M4-7		2		73181500		
C20	262182-8	RUBBER RING 6		2				
C30	263002-9	RUBBER PIN 4		2		40169390		
D10		INC. 61						
061	183H16-9	HOUSING SET		1				
C10	252126-6	HEX. LOCKING NUT M4-7		2		73181500		
C20	262182-8	RUBBER RING 6		2				
C30	263002-9	RUBBER PIN 4		2		40169390		
D10		INC. 60						
062	266130-9	TAPPING SCREW BIND PT 3X16		9		73181500		
063	457786-1	F/R CHANGE LEVER		1				
064	539237-7	SWITCH UNIT ASS'Y		1				
D10		INC. 56						
065	644813-5	TERMINAL		1		73182990		
066	853R45-3	HR140D SERIAL NO. LABEL		1				
A01	415486-9	DEPTH GAUGE		1				
A03B	821550-0	CONNECTOR PLASTIC CASE (TYPE2)		1				
C10	453974-8	LATCH		4				
A04B	813R35-8	HR140DWYJ PLASTIC CASE LABEL		2				
A05B	813R32-4	HR140DWYJ INDICATION LABEL		1				
A06B	839245-1	INNER TRAY		1				
A07B	456128-6	BATTERY COVER		1				
A08B	***DC10WD	DC10WD BATTERY CHARGER		1				
A09B	198007-9	BATTERY BL1016 SET		2				