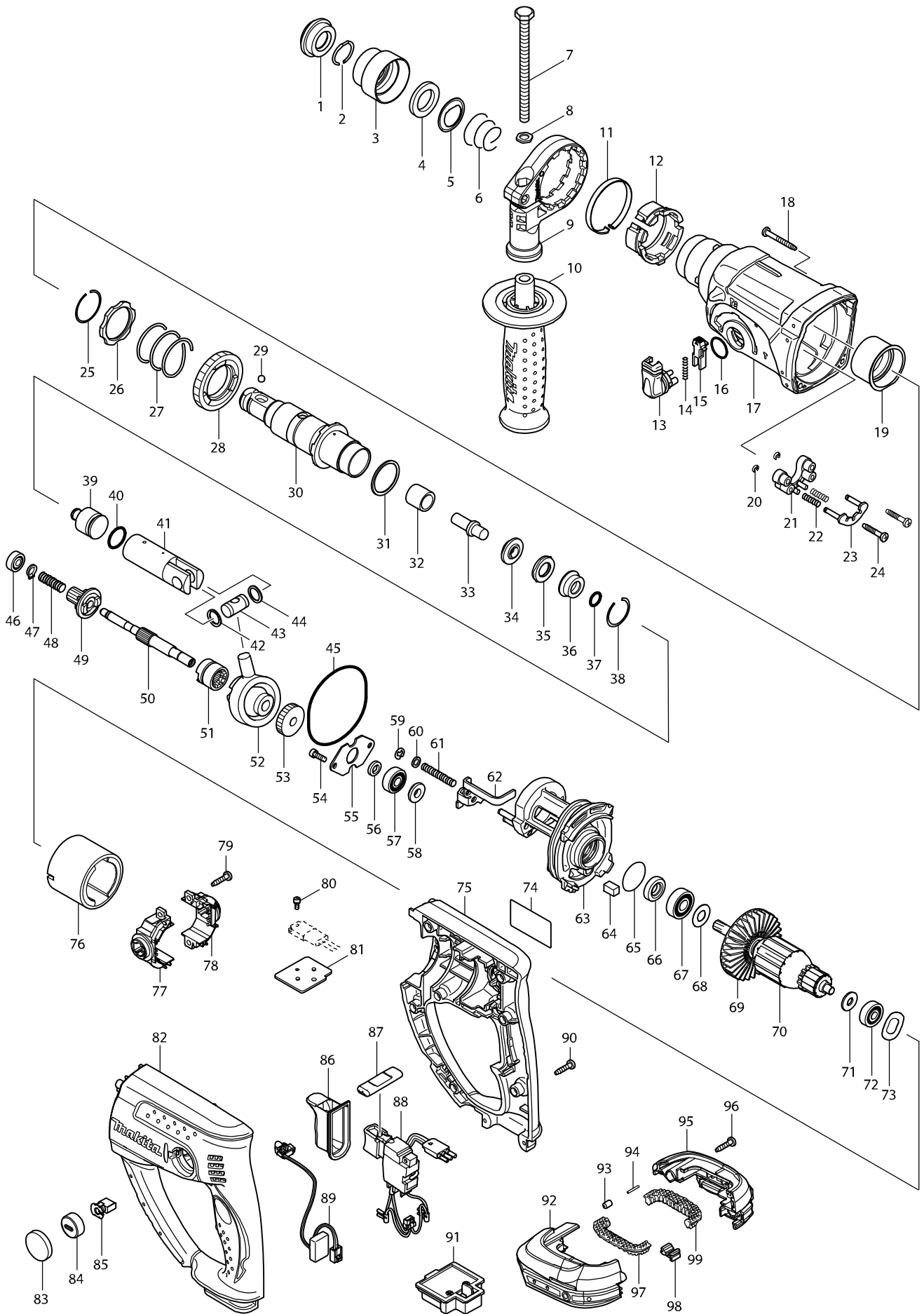


Model No. DHR202 CORDLESS COMBINATION HAMMER



Model No. DHR202 CORDLESS COMBINATION HAMMER

Item	Parts No.	Description	I/C	Qty	N/O	Opt. 1	Opt. 2	Note
001	286263-4	CAP 35		1				
002	233940-9	RING SPRING 19		1				
003	417629-9	CHUCK COVER		1				
004	257241-1	RING 21		1				
005	345187-4	GUIDE WASHER		1				
006	233916-6	CONICAL COMP. SPRING 21-29		1				
007	921923-8	HEX. BOLT M8X120		1				
008	345280-4	HEX. WASHER		1				
009	417630-4	GRIP BASE		1				
010	158057-6	GRIP 36 COMPLETE		1				
C10	931402-8	HEX. NUT M8		1				
013	162245-9	CHANGE LEVER		1				
014	233459-8	COMPRESSION SPRING 3		1				
015	419192-8	LOCK BUTTON		1				
016	213278-8	O RING 17		1				
017	158216-2	GEAR HOUSING COMPLETE		1				
C10	213345-9	OIL SEAL 25		1				
018	266351-3	TAPPING SCREW 4X35		4				
019	153290-5	NEEDLE BEARING COMPLETE		1				
020	961017-7	STOP RING E-3		2				
021	417796-0	GUIDE BASE		1				
022	233344-5	COMPRESSION SPRING 4		2				
023	163430-7	LOCK PLATE COMPLETE		1				
024	266374-1	TAPPING SCREW 4X25		2				
025	233929-7	RING SPRING 29		1				
026	267460-1	WASHER 31		1				
027	233401-9	COMPRESSION SPRING 32		1				
028	227109-5	SPUR GEAR 51		1				
029	216022-2	STEEL BALL 7.0		1				
030	158574-6	TOOL HOLDER COMPLETE		1				
031	267229-3	FLAT WASHER 28		1				
032	331769-8	SLEEVE 9		1				
033	324669-9	IMPACT BOLT		1				
034	324402-9	RING 10		1				
035	421955-0	CUSHION RING 13		1				
036	324216-6	O RING CASE		1				
037	213073-6	O RING 9		1				
038	233917-4	RING SPRING 28		1				
039	324214-0	STRIKER		1				
040	213227-5	O RING 16		1				
041	318132-2	PISTON CYLINDER		1				
042	267104-3	FLAT WASHER 12		1				
043	324215-8	PISTON JOINT		1				
044	267104-3	FLAT WASHER 12		1				
045	213727-5	O-RING 63		1				
046	211012-0	BALL BEARING 606ZZ		1	*			
046-1	210028-2	BALL BEARING 606ZZ	O	1				
047	961003-8	RETAINING RING S-7		1				

Model No. DHR202 CORDLESS COMBINATION HAMMER

Item	Parts No.	Description	I/C	Qty	N/O	Opt. 1	Opt. 2	Note
048	233343-7	COMPRESSION SPRING 7		1				
049	227179-4	SPUR GEAR 10		1				
050	324668-1	CAM SHAFT		1				
051	331992-5	CLUTCH CAM		1				
052	219014-0	SWASH BEARING 10		1				
053	226632-7	HELICAL GEAR 25		1				
054	266273-7	HEX. SOCKET HEAD BOLT M4X12		2				
055	345179-3	BEARING RETAINER		1				
056	267234-0	FLAT WASHER 8		1				
057	211032-4	BALL BEARING 608ZZ		1	*			
057-1	210029-0	BALL BEARING 608ZZ	O	1				
058	324212-4	RING 8		1				
059	961011-9	STOP RING E-4		1				
060	941102-2	FLAT WASHER 5		1				
061	233342-9	COMPRESSION SPRING 6		1				
062	345363-0	CHANGE PLATE		1				
063	141574-3	INNER HOUSING COMPLETE		1				
065	213407-3	O RING 26		1				
066	213077-8	OIL SEAL 10		1				
067	210059-1	BALL BEARING 6000DDW		1				
068	267213-8	FLAT WASHER 10		1				
069	240092-9	FAN 64		1				
070	519226-8	ARMATURE ASS'Y 18V		1				
D10		INC. 67-69,71,72						
071	253823-7	FLAT WASHER 7		1				
072	210023-2	BALL BEARING 627DDW		1				
073	267816-8	WAVE WASHER 15		1				
074	815F22-1	DHR202 NAME PLATE		1				
075	188515-8	HOUSING SET		1				
D10		INC. 82						
076	638020-0	YOKE UNIT		1				
077	643834-4	BRUSH HOLDER		1				
078	643835-2	BRUSH HOLDER		1				
079	266326-2	TAPPING SCREW 4X18		2				
080	911011-9	PAN HEAD SCREW M3X10		1				
081	689070-8	HEAT SINK		1				
082	188515-8	HOUSING SET		1				
D10		INC. 75						
083	424128-4	HOLDER CAP COVER		2				
084	643829-7	HOLDER CAP		2				
085	194435-6	CARBON BRUSH CB-441		1				
086	424111-1	SWITCH COVER		1				
087	450615-7	F/R CHANGE LEVER		1				
088	638883-4	SWITCH UNIT		1				
089	631792-6	LIGHT CIRCUIT		1				
090	266326-2	TAPPING SCREW 4X18		7				
091	644808-8	TERMINAL		1				
092	187212-3	BATTERYHOUSING SET		1				

Model No. DHR202 CORDLESS COMBINATION HAMMER

Item	Parts No.	Description	I/C	Qty	N/O	Opt. 1	Opt. 2	Note
C10	263005-3	RUBBER PIN 6		2				
D10		INC. 95						
093	263036-2	RUBBER PIN 5		1				
094	268184-2	PIN 1.5		1				
095	187212-3	BATTERYHOUSING SET		1				
C10	263005-3	RUBBER PIN 6		2				
D10		INC. 92						
096	266326-2	TAPPING SCREW 4X18		2				
097	424042-4	CUSHION RUBBER		1				
098	424476-1	CUSHION		1				
099	424042-4	CUSHION RUBBER		1				
100	123100-0	TOOL HOLDER ASS'Y		1				
D10		INC. 25-28,30,32-38						
A01	324219-0	DEPTH GAUGE		1				
A02C	194204-5	BATTERY BL1830 SET		2				
A03C	450128-8	BATTERY COVER		1				
A04C	***DC18RC	DC18RC FAST CHARGER		1				
A05C	141642-2	PLASTIC CASE COMPLETE		1				
C10	163455-1	LATCH		2				