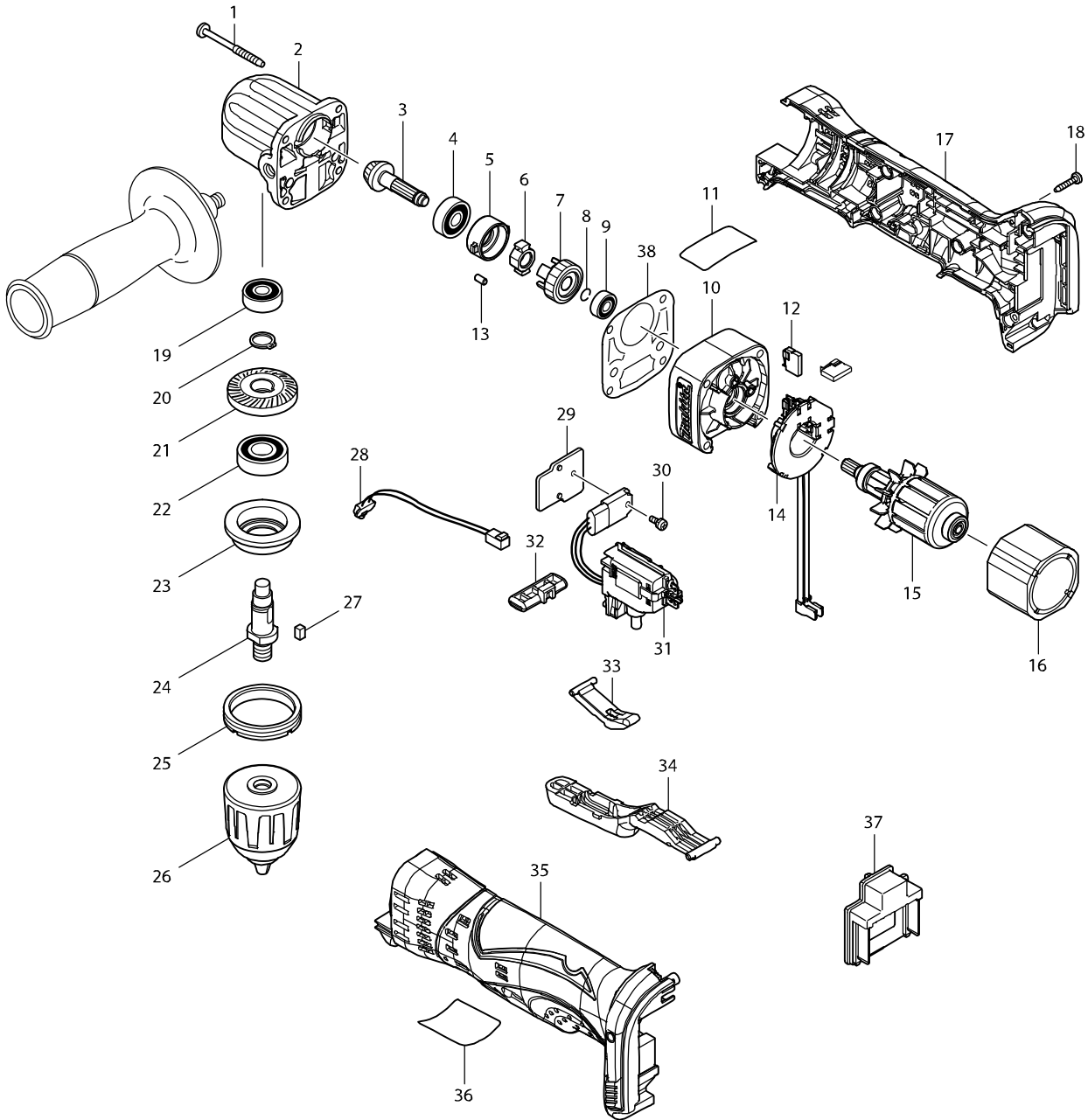


Model No. DDA351 CORDLESS ANGLE DRILL 10MM



Model No. DDA351 CORDLESS ANGLE DRILL 10MM

| Item | Parts No. | Description | I/C | Qty | N/O | Sales | Purch. | Note |
|------|-----------|----------------------------|-----|-----|-----|-------|--------|------|
| 001 | 266069-6 | TAPPING SCREW 4X45 | | 4 | | | | |
| 002 | 317634-5 | GEAR HOUSING | | 1 | | | | |
| 003 | 227538-2 | SPIRAL BEVEL GEAR 9 | | 1 | | | | |
| 004 | 210029-0 | BALL BEARING 608ZZ | | 1 | | | | |
| 005 | 324930-4 | LOCK RING | | 1 | | | | |
| 006 | 331647-2 | LOCK CAM | | 1 | | | | |
| 007 | 227221-1 | SPUR GEAR 29 | | 1 | | | | |
| 008 | 231956-8 | RING SPRING 6 | | 1 | | | | |
| 009 | 210033-9 | BALL BEARING 696ZZ | | 1 | | | | |
| 010 | 450607-6 | GEAR HOUSING COVER | | 1 | | | | |
| 012 | 194427-5 | CARBON BRUSH CB-440 | | 1 | | | | |
| 013 | 268100-4 | PIN 3.5 | | 2 | | | | |
| 014 | 539189-2 | BRUSH HOLDER ASSY | | 1 | | | | |
| D10 | | INC. 12 | | | | | | |
| 015 | 619234-0 | ARMATURE | | 1 | | | | |
| 016 | 638613-3 | YOKE UNIT | | 1 | | | | |
| 017 | 187130-5 | HOUSING SET | | 1 | | | | |
| D10 | | INC. 35 | | | | | | |
| 018 | 266130-9 | TAPPING SCREW BIND PT 3X16 | | 5 | | | | |
| 019 | 210029-0 | BALL BEARING 608ZZ | | 1 | | | | |
| 020 | 961052-5 | RETAINING RING S-12 | | 1 | | | | |
| 021 | 227537-4 | SPIRAL BEVEL GEAR 26 | | 1 | | | | |
| 022 | 211131-2 | BALL BEARING 6001DDW | | 1 | | | | |
| 023 | 317633-7 | BEARING BOX | | 1 | | | | |
| 024 | 324329-3 | SPINDLE | | 1 | | | | |
| 025 | 285842-5 | BEARING RETAINER 36-43 | | 1 | | | | |
| 026 | 766005-7 | KEYLESS DRILL CHUCK 10 | | 1 | | | | |
| 027 | 254201-4 | KEY 4 | | 1 | | | | |
| 028 | 631814-2 | LED CIRCUIT | | 1 | | | | |
| 029 | 689098-6 | HEAT SINK | | 1 | | | | |
| 030 | 911006-2 | PAN HEAD SCREW M3X8 | | 1 | | | | |
| 031 | 632B91-1 | SWITCH UNIT | | 1 | | | | |
| 032 | 450610-7 | F/R CHANGE LEVER | | 1 | | | | |
| 033 | 450609-2 | LINK | | 1 | | | | |
| 034 | 450608-4 | SWITCH LAVER | | 1 | | | | |
| 035 | 187130-5 | HOUSING SET | | 1 | | | | |
| D10 | | INC. 17 | | | | | | |
| 036 | 815P82-3 | DDA351 NAME PLATE | | 1 | | | | |
| 037 | 644808-8 | TERMINAL | | 1 | | | | |
| 038 | 418036-9 | GASKET | | 1 | | | | |
| A01 | 153489-2 | GRIP 36 COMPLETE | | 1 | | | | |
| | | | | | | | | |
| | | | | | | | | |
| | | | | | | | | |
| | | | | | | | | |
| | | | | | | | | |
| | | | | | | | | |
| | | | | | | | | |
| | | | | | | | | |
| | | | | | | | | |
| | | | | | | | | |