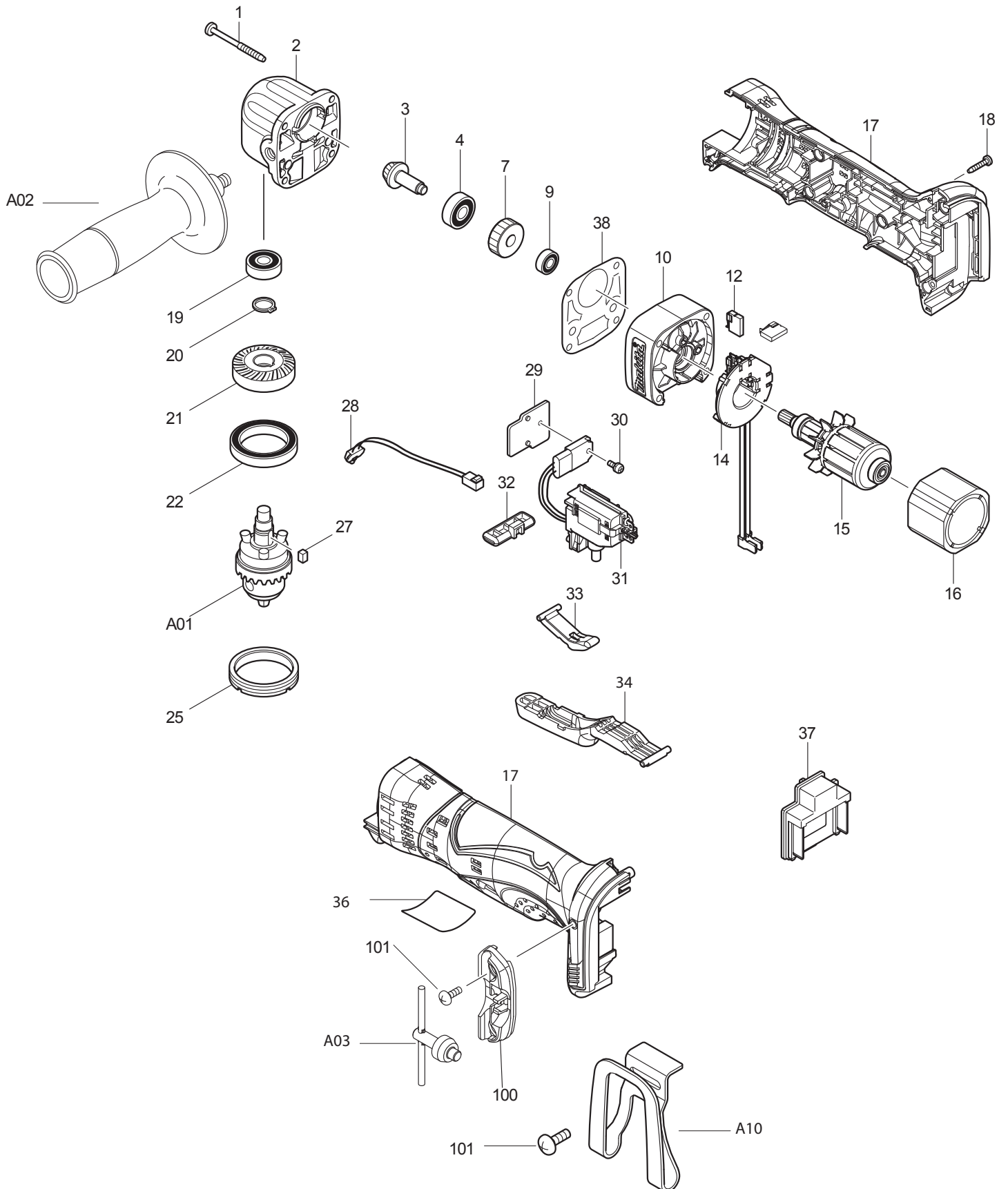




03 - 2014  
DDA350F, DDA350RFE, DDA350Z  
18V ANGLE DRILL



Item No	Type	Ref	Re Part No	Description	Qty	Unit
1			266069-6	TAPPING SCREW 4X45	4	PC.
2			317635-3	GEAR HOUSING	1	PC.
3			227436-0	SPIRAL BEVEL GEAR 9	1	PC.
4			210029-0	BALL BEARING 608ZZ	1	PC.
7			227230-0	SPUR GEAR 29	1	PC.
9			210033-9	BALL BEARING 696ZZ	1	PC.
10			450607-6	GEAR HOUSING COVER	1	PC.
12			195021-6	CARBON BRUSH CB-440 2PC/SET, W/ ORIGIN	1	SET
14			539189-2	BRUSH HOLDER ASSY	1	PC.
		INC.		Item No. 12		
15			619234-0	ARMATURE	1	PC.
16			638613-3	YOKE UNIT	1	PC.
17			187130-5	HOUSING SET	1	SET
18			266130-9	TAPPING SCREW BIND PT 3X16	5	PC.
19			210029-0	BALL BEARING 608ZZ	1	PC.
20			961052-5	RETAINING RING S-12	1	PC.
21			227536-6	SPIRAL BEVEL GEAR 26	1	PC.
22			211423-9	BALL BEARING 6806DDW	1	PC.
25			285842-5	BEARING RETAINER 36-43	1	PC.
27			254201-4	KEY 4	1	PC.
28			631814-2	LED CIRCUIT	1	PC.
29			689098-6	HEAT SINK	1	PC.
30			911006-2	PAN HEAD SCREW M3X8	1	PC.
31			632B91-1	SWITCH UNIT	1	PC.
32			450610-7	F/R CHANGE LEVER	1	PC.
33			450609-2	LINK	1	PC.
34			450608-4	SWITCH LEVER	1	PC.
36			815P22-1	NAME PLATE F/DDA350	1	PC.
37			644808-8	TERMINAL	1	PC.
38			418036-9	GASKET	1	PC.
100			450688-0	KEY HOLDER	1	PC.
101			251314-2	+ SCREW M4X12 (FOR HOOK, BIT HOLDER, BATTERY PROTECTOR)	1~2	PC.
<b>ACCESSORIES</b>		<b>- See Catalogue or visit <a href="http://www.makita.ca">www.makita.ca</a> for more accessories information</b>				
A01			763174-5	3/8" DRILL CHUCK	1	PC.
A02			153489-2	GRIP 36 COMPLETE	1	PC.
A03			763415-9	CHUCK KEY S10	1	PC.
A04			-----	<a href="#">BATTERY CHARGER</a>		
A05			-----	<a href="#">18V LI-ION BATTERY</a>		
A06			-----	<a href="#">LI-ION BATTERY ACCESSORIES</a>		
A07			141358-9	PLASTIC CARRYING CASE	1	PC.
		INC.	163455-1	LATCH	2	PC.
		INC.	419360-3	HANDLE	1	PC.
A09			452947-8	BIT HOLDER	1	PC.
A10			346449-3	HOOK F/ 14.4V, 18V LI-ION BATTERIES	1	PC.