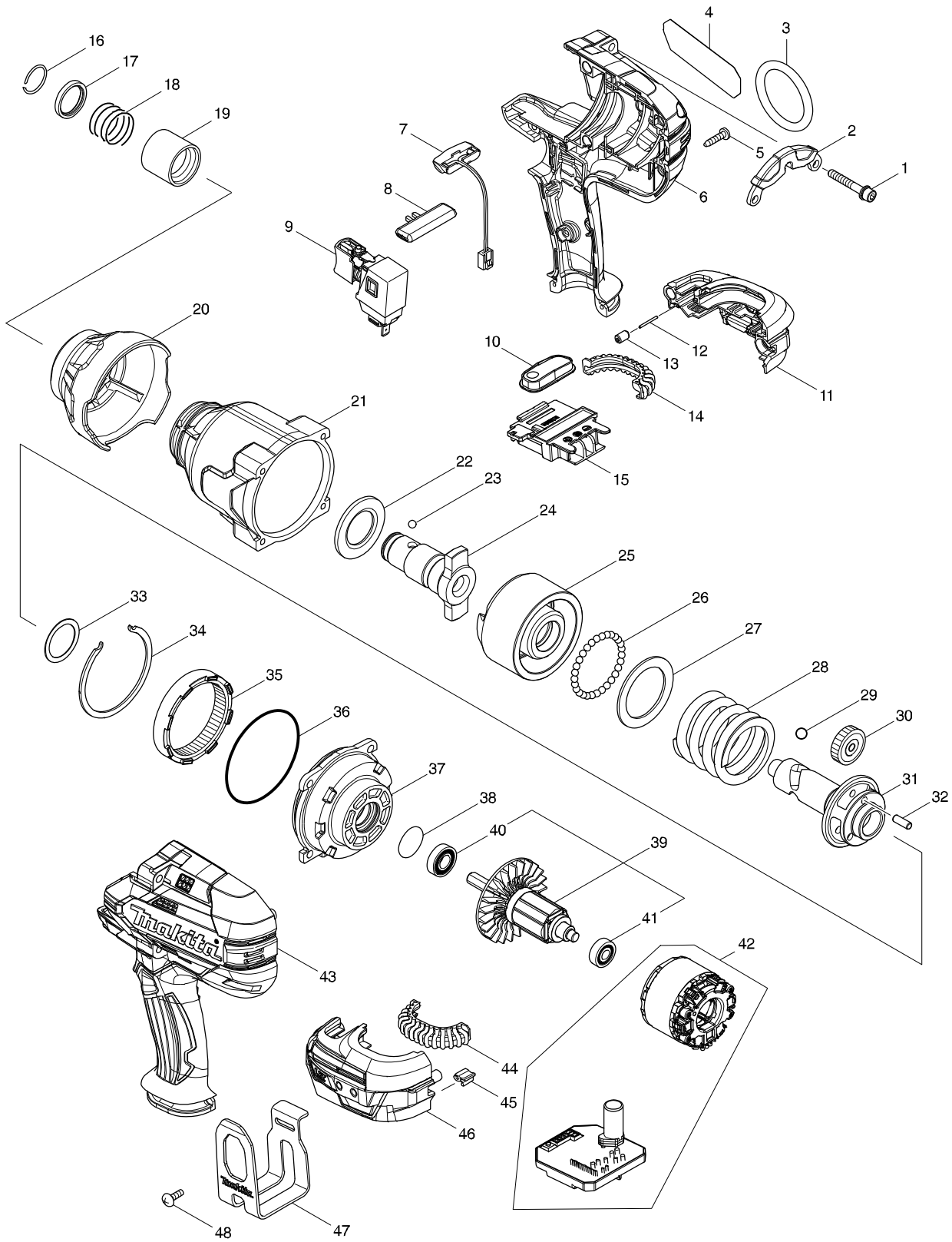


Model No. DTW800 CORDLESS IMPACT WRENCH



Model : DTW800 CORDLESS IMPACT WRENCH

Item	Sub	Parts No.	Parts Description	Qty
1		251476-6	H.S.H.BOLT M5X35 WITH WR	4
2		162341-3	BRACKET	1
3		282022-4	RING 40	1
4		851K83-7	DTW800 NAME PLATE	1
5		266326-2	TAPPING SCREW 4X18	9
6		183C08-8	HOUSING SET INC. 43	1
7		620351-1	LED CIRCUIT	1
8		456268-0	F/R CHANGE LEVER	1
9		143416-7	SWITCH COMPLETE	1
10		143417-5	SWITCH PLATE COMPLETE	1
11		183C12-7	BATTERY HOUSING SET	1
11	C10	263005-3	RUBBER PIN 6 INC. 46	2
12		268284-8	PIN 1.5	1
13		263036-2	RUBBER PIN 5	1
14		424773-5	CUSHION RUBBER	1
15		643899-6	TERMINAL	1
16		234384-6	RING SPRING 19	1
17		326619-0	RING 21	1
18		231434-8	COMPRESSION SPRING 22	1
19		326618-2	SLEEVE	1
20		424775-1	BUMPER	1
21		143411-7	HAMMER CASE COMPLETE	1
22		346948-5	WASHER 25	1
23		216007-8	STEEL BALL 6.4	2
24		326617-4	ANVIL H	1
25		326613-2	HAMMER	1
26		216002-8	STEEL BALL 4.8	29
27		267493-6	FLAT WASHER 38	1
28		234383-8	COMPRESSION SPRING 38	1
29		216009-4	STEEL BALL 7.1	2
30		227391-6	SPUR GEAR 24	3
31		326611-6	SPINDLE	1
32		268079-9	PIN 5	3
33		267494-4	FLAT WASHER 25	1
34		346947-7	RETAINER	1
35		227392-4	INTERNAL SPUR GEAR 54	1
36		213720-9	O RING 67	1
37		135718-5	INTERNAL GEAR CASE ASS'Y INC. 36,38	1
38		213961-7	O RING 22	1
39		519384-0	ROTOR ASS'Y INC. 40,41	1
40		210069-8	BALL BEARING 6900DDW	1
41		211022-7	BALL BEARING 607ZZ	1
42		629170-2	STATOR COMPLETE	1

43		183C08-8	HOUSING SET INC. 6	1
44		424773-5	CUSHION RUBBER	1
45		424517-3	CUSHION	1
46		183C12-7	BATTERY HOUSING SET	1
46	C10	263005-3	RUBBER PIN 6 INC. 11	2
47		346949-3	HOOK	1
48		251314-2	SCREW M4X12	2