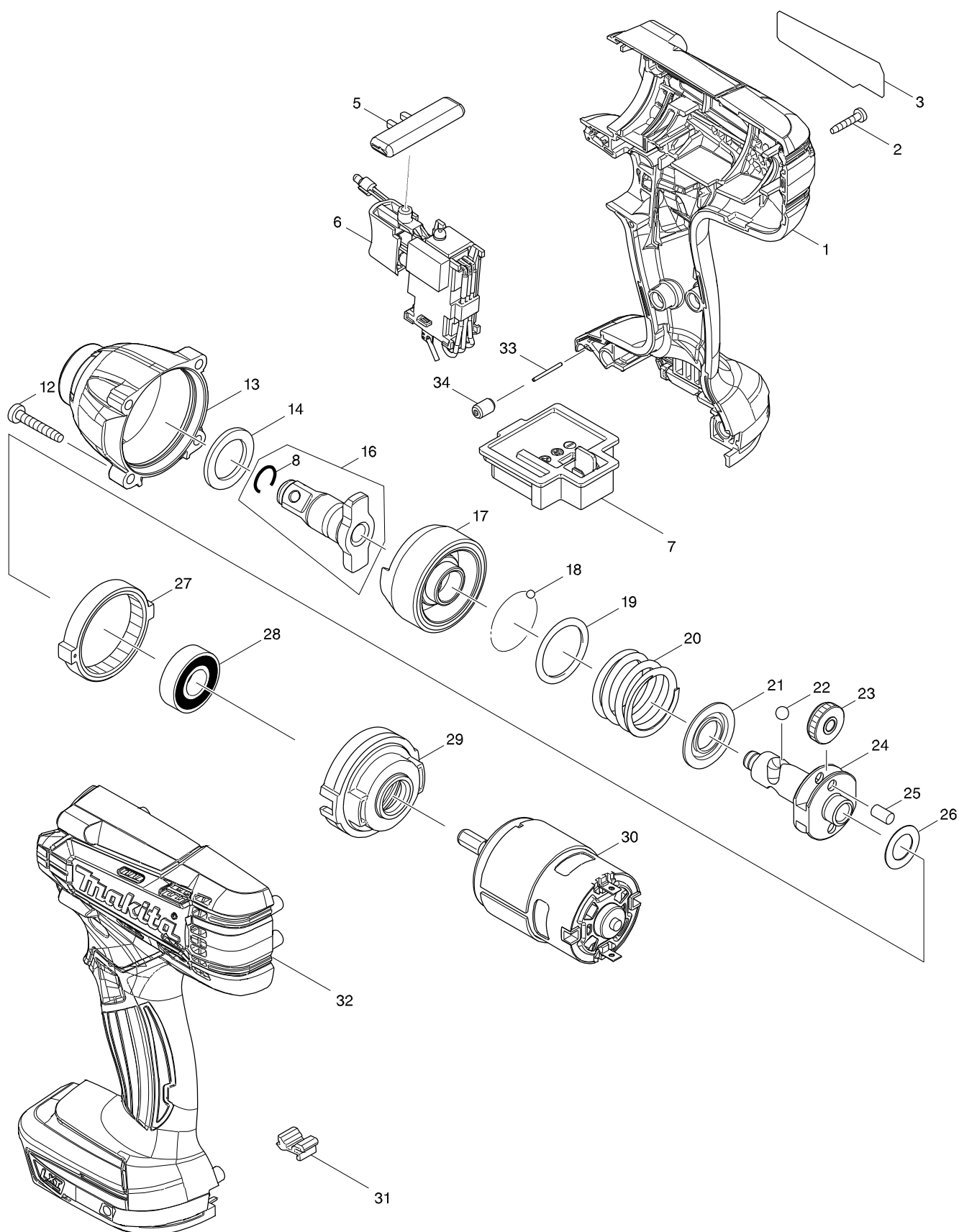


# Modellszám DTW190 CORDLESS IMPACT WRENCH



Tétel	Cikkszám	Megnevezés	Átala	Menny.	N/O	Opc 1	Opc 2	Megjegyzés
001	183D73-3	HOUSING SET		1				
C10	263005-3	RUBBER PIN 6		2				
C20	252126-6	HEX. LOCKING NUT M4-7		2				
D10		INC. 32						
002	266429-2	TAPPING SCREW 3X16		8				
003	851W90-2	DTW190 NAME PLATE		1				
005	452399-3	F/R CHANGE LEVER		1				
006	632G34-3	SWITCH UNIT		1				
C10	688163-8	LINE FILTER		1				
C20	688165-4	LINE FILTER		1				
007	643852-2	TERMINAL		1				
008	231907-1	RING SPRING 10		1				
012	266374-1	TAPPING SCREW 4X25		4				
013	143646-0	HAMMER CASE COMPLETE		1				
C10	213214-4	O RING 16		1				
014	261151-6	NYLON WASHER 19		1				
016	135745-2	ANVIL E ASSEMBLY		1	*			
D10		INC. 8			*			
016-1	135796-5	ANVIL E ASSEMBLY	<	1				
D10		INC. 8						
017	326110-8	HAMMER		1				
018	216040-0	STEEL BALL 3.5		24				
019	267175-0	FLAT WASHER 24		1				
020	233430-2	COMPRESSION SPRING 24		1				
021	267766-7	CUP WASHER 14		1				
022	216041-8	STEEL BALL 5,6		2				
023	227362-3	SPUR GEAR 22		2				
024	326109-3	SPINDLE		1				
025	256253-1	PIN 5		2				
026	267212-0	FLAT WASHER 12		1				
027	227279-0	INTERNAL GEAR 51		1				
028	210107-6	BALL BEARING 6001ZZ		1				
029	453056-6	INTERNAL GEAR CASE		1				
030	629199-8	DC MOTOR		1				
031	424476-1	CUSHION		1				
032	183D73-3	HOUSING SET		1				
C10	263005-3	RUBBER PIN 6		2				
C20	252126-6	HEX. LOCKING NUT M4-7		2				
D10		INC. 1						
033	268284-8	PIN 1.5		1				
034	263036-2	RUBBER PIN 5		1				
A01B	141856-3	PLASTIC CARRYING CASE COMPLETE		1				
C10	162302-3	LATCH		2				
C20	324207-7	SHAFT		1				
C30	451749-9	HANDLE		1				
A01C	821550-0	CONNECTOR PLASTIC CASE (TYPE2)		1				
C10	453974-8	LATCH		4				
A02B	808M86-4	DTW190RFE PLASTIC CASE LABEL		2				

