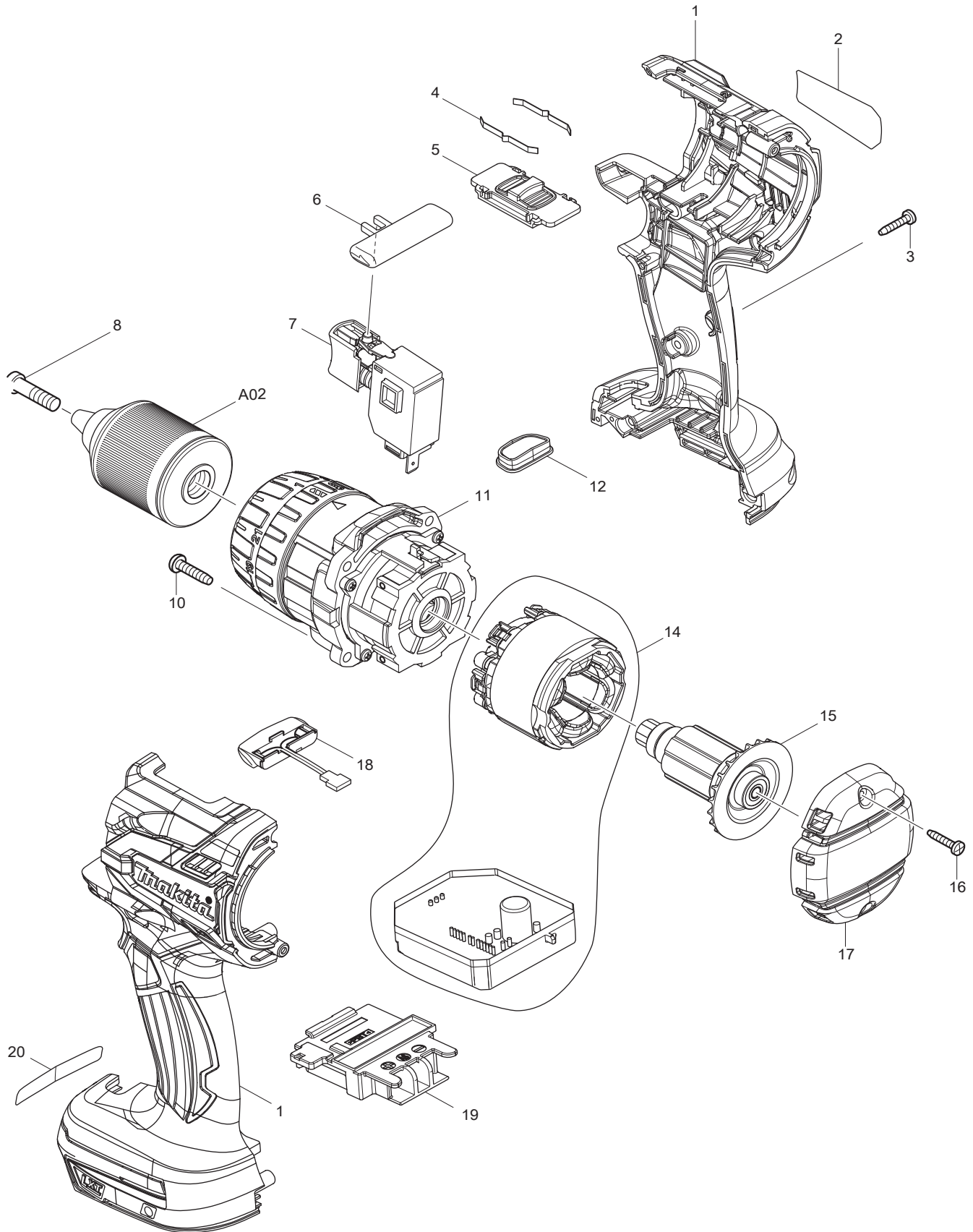




03 - 2014  
DDF481RME, DDF481RTE, DDF481Z  
18V BRUSHLESS DRIVER DRILL



Item No	Type	Part No	Description	Qty	Unit
1		187921-4	HOUSING SET	1	SET
	INC.	263005-3	RUBBER PIN 6	2	PC.
2		815S56-2	NAME PLATE F/DDF481	1	PC.
3		266130-9	TAPPING SCREW BIND PT 3X16	7	PC.
4		232220-0	LEAF SPRING	2	PC.
5		126411-2	SPEED CHANGE LEVER ASSEMBLY	1	PC.
	INC.	233438-6	COMPRESSION SPRING 4	2	PC.
6		419250-0	F/R CHANGE LEVER	1	PC.
7		650710-5	SWITCH C3JW-4B	1	PC.
8		251468-5	- FLAT HEAD SCREW M6X22	1	PC.
10		265995-6	TAPPING SCREW 4X18	4	PC.
11		126409-9	GEAR ASSEMBLY	1	PC.
12		142263-3	INDICATOR PANEL COMPLETE	1	PC.
14		629116-8	STATOR COMPLETE	1	PC.
15		619336-2	ROTOR	1	PC.
16		266130-9	TAPPING SCREW BIND PT 3X16	2	PC.
17		455011-4	REAR COVER	1	PC.
18		620283-2	LED CIRCUIT	1	PC.
19		643899-6	TERMINAL	1	PC.
20		804A84-4	CAUTION LABEL	1	PC.
100		251314-2	(+) SCREW M4X12 FOR HOOK, BIT HOLDER	2	PC.

#### ACCESSORIES

- See Catalogue or visit [www.makita.ca](http://www.makita.ca) for more accessories -

A01		126412-0	GRIP ASSEMBLY	1	PC.
	C10	142652-2	POLE COMPLETE	1	PC.
	C20	142653-0	ARM R COMPLETE	1	PC.
	C30	266886-4	HEX. BOLT M8X65	1	PC.
	C40	319129-4	ARM L	1	PC.
	C50	962055-2	RETAINING RING (INT) R-15	1	PC.
A02		766015-4	1/2" KEYLESS DRILL CHUCK	1	PC.
A03		346449-3	HOOK	1	PC.
A04		452947-8	BIT HOLDER	1	PC.
A05		784637-8	(+/-) BIT 2-45	2	PC.
		-----	<a href="#">DRIVER BITS</a>		
A06		821524-1	PLASTIC CARRYING CASE	1	PC.
	C10	162302-3	LATCH	2	PC.
	C20	325809-2	SHAFT	1	PC.
	C30	451749-9	HANDLE	1	PC.
	C40	453473-0	PLASTIC CASE LID	1	PC.
A07		-----	<a href="#">BATTERY CHARGER</a>		
A08		-----	<a href="#">18V LI-ION BATTERY</a>		
A09		-----	<a href="#">LI-ION BATTERY ACCESSORIES</a>		