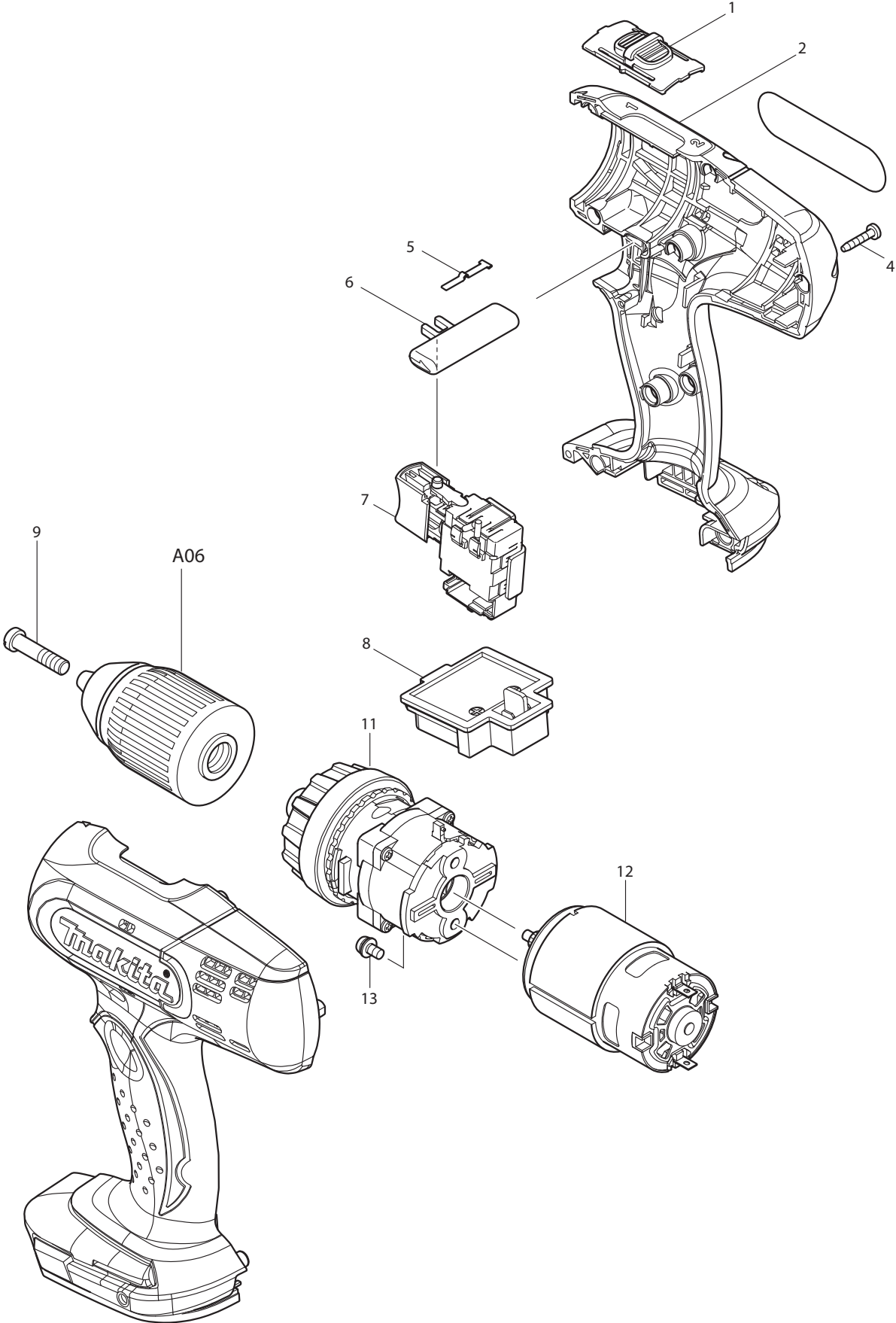




01 - 2010
BDF453 / BDF453Z / BDF453H
18V 1/2" DRIVER DRILL



Item No	Type	Ref	Part No	Description	Qty	Unit
1			125310-5	SPEED CHANGE LEVER ASS'Y	1	PC.
		INC.	231433-0	COMPRESSION SPRING 4	2	PC.
2	1		188542-5	* HOUSING SET (TYPE 1-2)	1	SET
	3		187363-2	* HOUSING SET (TYPE 3)	1	SET
4			266130-9	TAPPING SCREW BIND PT 3X16	9	PC.
5			232182-2	LEAF SPRING	1	PC.
6			419250-0	F/R CHANGE LEVER	1	PC.
7	1		650604-4	* SWITCH TG563FSB-4 (TYPE 1-2)	1	PC.
	3		632A24-0	* SWITCH UNIT (TYPE 3)	1	PC.
8	1		643812-4	* TERMINAL, BLACK	1	PC.
	2		643844-1	* TERMINAL, YELLOW	1	PC.
	3		643852-2	* TERMINAL	1	PC.
9			251472-4	- FLAT HEAD SCREW M6X26	1	PC.
11			125483-4	GEAR ASS'Y	1	PC.
12			629834-8	DC MOTOR	1	PC.
13			911108-4	PAN HEAD SCREW M4X8	2	PC.
100			251314-2	+ SCREW M4X12 (F/HOOK)	1	PC.

ACCESSORIES

- See catalogue or visit www.makita.ca for more accessories information -

A01			784636-0	+/- BIT 2-65	1	PC.
A02			DC18SD	CHARGER DC18SD F/BL1815	1	PC.
A02			DC18SE	12V AUTOMOTIVE CHARGER DC18SE	1	PC.
A02			DC18RAKIT	DC18RA+BL1830 KIT	1	SET
A02			DC24SC	CHARGER F/7.2-24V, 1.3-3.3AH	1	PC.
A03			194309-1	18V LI-ION BATTERY BL1815	2	EA.
A03			194428-3	18V LI-ION BATTERY BL1815, 2/PK	1	PK.
A04			450128-8	BATTERY COVER	1	PC.
A05			158777-2	PLASTIC CARRYING CASE	1	PC.
		INC.	163455-1	METAL LATCH	2	PC.
		INC.	419360-3	HANDLE	1	PC.
A06			763193-1	1/2" KEYLESS DRILL CHUCK	1	PC.
A07	1		346034-2	HOOK F/BL1415, BL1815	1	PC.
	2		346449-3	HOOK,COMPACT,F/14.4V,18V From April 2013	1	PC.

SERVICE CHANGES

1. Changes on Switch, Terminal, and Housing Set (Battery Protection Circuit)

(T/I# 93856)

Item No.	Description	Type 1	Type 2	Type 3
2	HOUSING SET		188542-5	187363-2
7	SWITCH		650604-4	632A24-0
8	TERMINAL	643812-4	643844-1	643852-2

Above parts are completely interchangeable as a set.

Service Note:

- Use new parts for repair of the model manufactured on or after December 2011 with using Yellow lead wire between Switch and Terminal.
- Use current parts for repair of the model manufactured before December 2011 without using Yellow lead wire between Switch and Terminal.

*** See Technical Information No. 93856 for Wiring changes.**