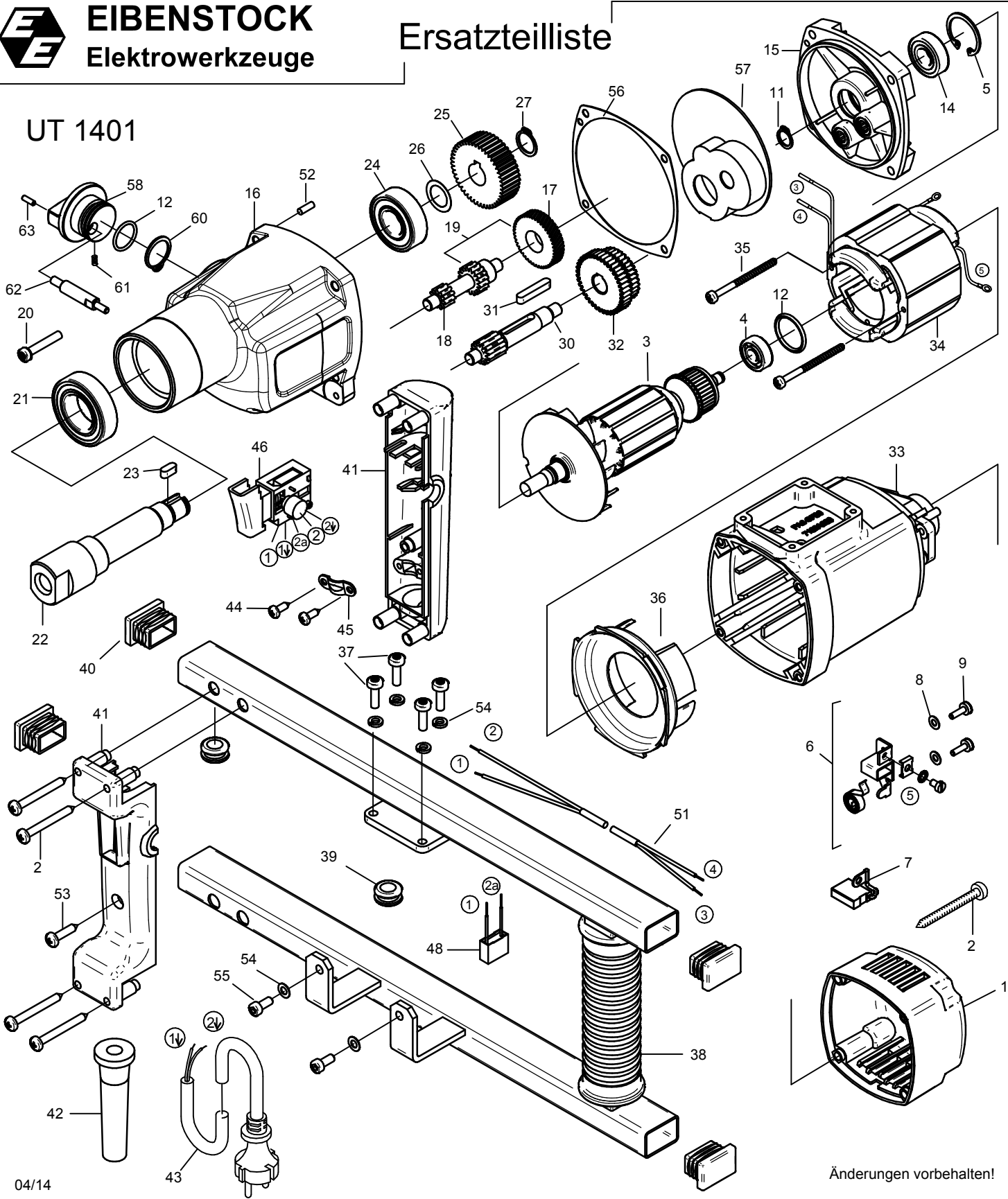




EIBENSTOCK
Elektrowerkzeuge

Ersatzteilliste

UT 1401



UT 1401 - 230 V

07M31000

| Nr. | Bezeichnung | Bestellnr. | Stk | Preis | Nr. | Bezeichnung | Bestellnr. | Stk | Preis |
|-----|-----------------------------------|------------|-----|-------|-----|------------------------------------|------------|-----|-------|
| | | | | €/Stk | | | | | €/Stk |
| 1 | Kappe | 80900093 | 1 | 3,75 | 33 | Motorgehäuse | 80900403 | 1 | 15,00 |
| 2 | Blechschaube HC 4,8x45 | 80201267 | 8 | 0,25 | 34 | Polring, kpl. | 7132A150 | 1 | 28,13 |
| 3 | Läufer, kpl. | 7132A100 | 1 | 75,00 | 35 | Blechschaube HC 3,9x60 | 80201266 | 2 | 0,50 |
| 4 | Rillenkugellager 608 2Z | 80410011 | 1 | 2,81 | 36 | Luftleitring | 80900286 | 1 | 1,75 |
| 5 | Sicherungsring 28/1,2 | 80201333 | 1 | 0,25 | 37 | Plastschraube Torx 5x20 | 80201277 | 4 | 0,25 |
| 6 | Taschenbürstenhalter, kpl. | 80201196 | 2 | 4,38 | 38 | Bügelgriff | 77M31590 | 1 | 22,50 |
| 7 | Kohlebürste, kpl. 6,3x10x18 | 80700013 | 2 | 3,75 | 39 | Durchführungsstülle HV 1305 | 83000051 | 2 | 0,75 |
| 8 | Federscheibe B4 gewellt | 80201385 | 4 | 0,25 | 40 | Abdeckkappe | 80900000 | 4 | 1,00 |
| 9 | Gewindefurchschraube ZM4x12 | 80201180 | 4 | 0,25 | 41 | Griffpaar | 80900098 | 1 | 5,81 |
| 10 | | | | | 42 | Kabelauführungsmuffe | 83000004 | 1 | 1,25 |
| 11 | Sicherungsring 11/1,0 | 80201320 | 1 | 0,25 | 43 | Anschlußleitung 2x1mm ² | 80600060 | 1 | 6,25 |
| 12 | O-Ring 22x2,5 | 83000036 | 2 | 0,25 | 44 | Blechschaube HC4,2x13 | 80201270 | 2 | 0,25 |
| 13 | | | | | 45 | Zugentlastungsschelle | 85000020 | 1 | 0,50 |
| 14 | Rillenkugellager 6001 2Z | 80410031 | 1 | 3,75 | 46 | Einbauschalte | 80600135 | 1 | 17,50 |
| 15 | Getriebelagerschild, kpl. schwarz | 77M3161U | 1 | 22,50 | 47 | | | | |
| 16 | Getriebegehäuse, kpl. schwarz | 77M3140U | 1 | 34,38 | 48 | Entstörkondensator | 80500010 | 1 | 2,50 |
| 17 | Zwischenrad 33 Z. | 7132A470 | 1 | 10,00 | 49 | | | | |
| 18 | Welle mit 2 Ritzeln 11/17 Z. | 7132H500 | 1 | 17,50 | 50 | | | | |
| 19 | Ritzelwelle, kpl. | 77M3150U | 1 | 28,13 | 51 | Schalteleite | 80600072 | 1 | 1,75 |
| 20 | PT-Schraube 50x40 | 80201442 | 4 | 0,50 | 52 | Steckerstift 4x12 | 80200582 | 1 | 0,25 |
| 21 | Rillenkugellager 6005 2RS | 80410061 | 1 | 7,50 | 53 | Blechschaube HC4,8x22 | 80201280 | 1 | 0,25 |
| 22 | Arbeitsspindel | 77M31420 | 1 | 17,50 | 54 | Federring 5 | 80201302 | 6 | 0,25 |
| 23 | Paßfeder A5x5x12 | 80200601 | 1 | 0,25 | 55 | Zylinderschraube M5x14 | 80201103 | 2 | 0,25 |
| 24 | Rillenkugellager 6203 2RS | 80410130 | 1 | 6,88 | 56 | Getriebedichtung | 82000507 | 1 | 1,50 |
| 25 | Spindelrad 45 Z. | 71323430 | 1 | 20,00 | 57 | Fettkammerschott | 80900119 | 1 | 1,25 |
| 26 | Paßscheibe 15/22x0,2 | 80200504 | 1 | 0,25 | 58 | Schaltknopf | 7132H540 | 1 | 11,25 |
| 27 | Sicherungsring 15/1 | 80201322 | 1 | 0,25 | 59 | | | | |
| 28 | | | | | 60 | Sicherungsring 26/1,2 | 80201340 | 1 | 0,25 |
| 29 | | | | | 61 | Rastbolzen | 80430029 | 1 | 1,00 |
| 30 | Welle f. Zahnradblock 13 Z. | 71223460 | 1 | 15,00 | 62 | Schaltbolzen | 7132H545 | 1 | 3,13 |
| 31 | Paßfeder A5x5x28 | 80200602 | 1 | 0,75 | 63 | Zylinderstift 3m6x10 | 80200577 | 1 | 0,25 |
| 32 | Zahnradblock 34/40 Z. | 7132H440 | 1 | 25,00 | | | | | |

UT 1401 - 110 V

07M32000

| | | | | | | | | | |
|----|---------------|----------|---|-------|----|-----------------|----------|---|-------|
| 3 | Läufer, kpl. | 7132D100 | 1 | 75,00 | 43 | Anschlußleitung | 77319262 | 1 | 7,50 |
| 34 | Polring, kpl. | 7132D150 | 1 | 28,13 | 46 | Einbauschalte | 80600140 | 1 | 17,50 |

UT 1401 - 240 V

07M33000

| | | | | | | | | | |
|----|---------------|----------|---|-------|----|--------------------------------|----------|---|-------|
| 3 | Läufer, kpl. | 7132A100 | 1 | 75,00 | 43 | Anschlußleitung mit UK-Stecker | 80600233 | 1 | 8,75 |
| 34 | Polring, kpl. | 7132A150 | 1 | 28,13 | 46 | Einbauschalte | 80600135 | 1 | 17,50 |

UT 1401 - 230 V

07M31000

| No. | Description | Order No. | Pcs | Price €/Pcs | No. | Description | Order No. | Pcs | Price €/Pcs |
|-----|-------------------------------|-----------|-----|----------------|-----|------------------------------|-----------|-----|----------------|
| 1 | cap | 80900093 | 1 | 3,75 | 33 | motor housing | 80900403 | 1 | 15,00 |
| 2 | self tapping screw HC 4,8x45 | 80201267 | 8 | 0,25 | 34 | stator complete | 7132A150 | 1 | 28,13 |
| 3 | rotor complete | 7132A100 | 1 | 75,00 | 35 | self tapping screw C 3,9x60 | 80201266 | 2 | 0,50 |
| 4 | grooved ball bearing 608 2Z | 80410011 | 1 | 2,81 | 36 | air guiding ring | 80900286 | 1 | 1,75 |
| 5 | locking ring 28/1,2 | 80201333 | 1 | 0,25 | 37 | plastic screw Torx 5x20 | 80201277 | 4 | 0,25 |
| 6 | brush holder | 80201196 | 2 | 4,38 | 38 | bow handle | 77M31590 | 1 | 22,50 |
| 7 | pair of brushes 6,3x10x18 | 80700013 | 2 | 3,75 | 39 | cable grommet HV 1305 | 83000051 | 2 | 0,75 |
| 8 | lock washer B4 | 80201385 | 4 | 0,25 | 40 | cover cap | 80900000 | 4 | 1,00 |
| 9 | self tapping screw ZM4x12 | 80201180 | 4 | 0,25 | 41 | pair of handle halves | 80900098 | 1 | 5,81 |
| 10 | | | | | 42 | cable grommet | 83000004 | 1 | 1,25 |
| 11 | locking ring 11/1 | 80201320 | 1 | 0,25 | 43 | connecting cable | 80600060 | 1 | 6,25 |
| 12 | o ring 22x2,5 | 83000036 | 2 | 0,25 | 44 | self tapping screw HC 4,2x13 | 80201270 | 2 | 0,25 |
| 13 | | | | | 45 | wire locking flange | 85000020 | 1 | 0,50 |
| 14 | grooved ball bearing 6001 2Z | 80410031 | 1 | 3,75 | 46 | switch | 80600135 | 1 | 17,50 |
| 15 | end shield of gearing black | 77M3161U | 1 | 22,50 | 47 | | | | |
| 16 | gearbox housing black | 77M3140U | 1 | 34,38 | 48 | anti parasite condenser | 80500010 | 1 | 2,50 |
| 17 | intermediate wheel | 7132A470 | 1 | 10,00 | 49 | | | | |
| 18 | shaft | 7132H500 | 1 | 17,50 | 50 | | | | |
| 19 | pinion shaft | 77M3150U | 1 | 28,13 | 51 | interconnecting wire | 80600072 | 1 | 1,75 |
| 20 | pt-screw 50x40 | 80201442 | 4 | 0,50 | 52 | notched pin plug 4x12 | 80200582 | 1 | 0,25 |
| 21 | grooved ball bearing 6005 2RS | 80410061 | 1 | 7,50 | 53 | self tapping screw HC 4,8x22 | 80201280 | 1 | 0,25 |
| 22 | work spindle | 77M31420 | 1 | 17,50 | 54 | lock washer 5 | 80201302 | 6 | 0,25 |
| 23 | fitting key A5x5x12 | 80200601 | 1 | 0,25 | 55 | screw M5x14 | 80201103 | 2 | 0,25 |
| 24 | grooved ball bearing 6203 2RS | 80410130 | 1 | 6,88 | 56 | gearbox seal | 82000507 | 1 | 1,50 |
| 25 | spindle wheel 45 Z. | 71323430 | 1 | 20,00 | 57 | grease compartment barrier | 80900119 | 1 | 1,25 |
| 26 | fitting washer 15/22x0,2 | 80200504 | 1 | 0,25 | 58 | switch button | 7132H540 | 1 | 11,25 |
| 27 | locking ring 15/1 | 80201322 | 1 | 0,25 | 59 | | | | |
| 28 | | | | | 60 | locking ring 26/1,2 | 80201340 | 1 | 0,25 |
| 29 | | | | | 61 | snap bolt | 80430029 | 1 | 1,00 |
| 30 | shaft 13 Z. | 71223460 | 1 | 15,00 | 62 | shift pin | 7132H545 | 1 | 3,13 |
| 31 | fitting key A5x5x28 | 80200602 | 1 | 0,75 | 63 | cylinder pin 3m6x10 | 80200577 | 1 | 0,25 |
| 32 | gear block | 7132H440 | 1 | 25,00 | | | | | |

UT 1401 - 110 V

07M32000

| | | | | | | | | | |
|----|-----------------|----------|---|-------|----|------------------|----------|---|-------|
| 3 | rotor complete | 7132D100 | 1 | 75,00 | 43 | connecting cable | 77319262 | 1 | 7,50 |
| 34 | stator complete | 7132D150 | 1 | 28,13 | 46 | switch | 80600140 | 1 | 17,50 |

UT 1401 - 240 V

07M33000

| | | | | | | | | | |
|----|-----------------|----------|---|-------|----|------------------|----------|---|-------|
| 3 | rotor complete | 7132A100 | 1 | 75,00 | 43 | connecting cable | 80600233 | 1 | 8,75 |
| 34 | stator complete | 7132A150 | 1 | 28,13 | 46 | switch | 80600135 | 1 | 17,50 |