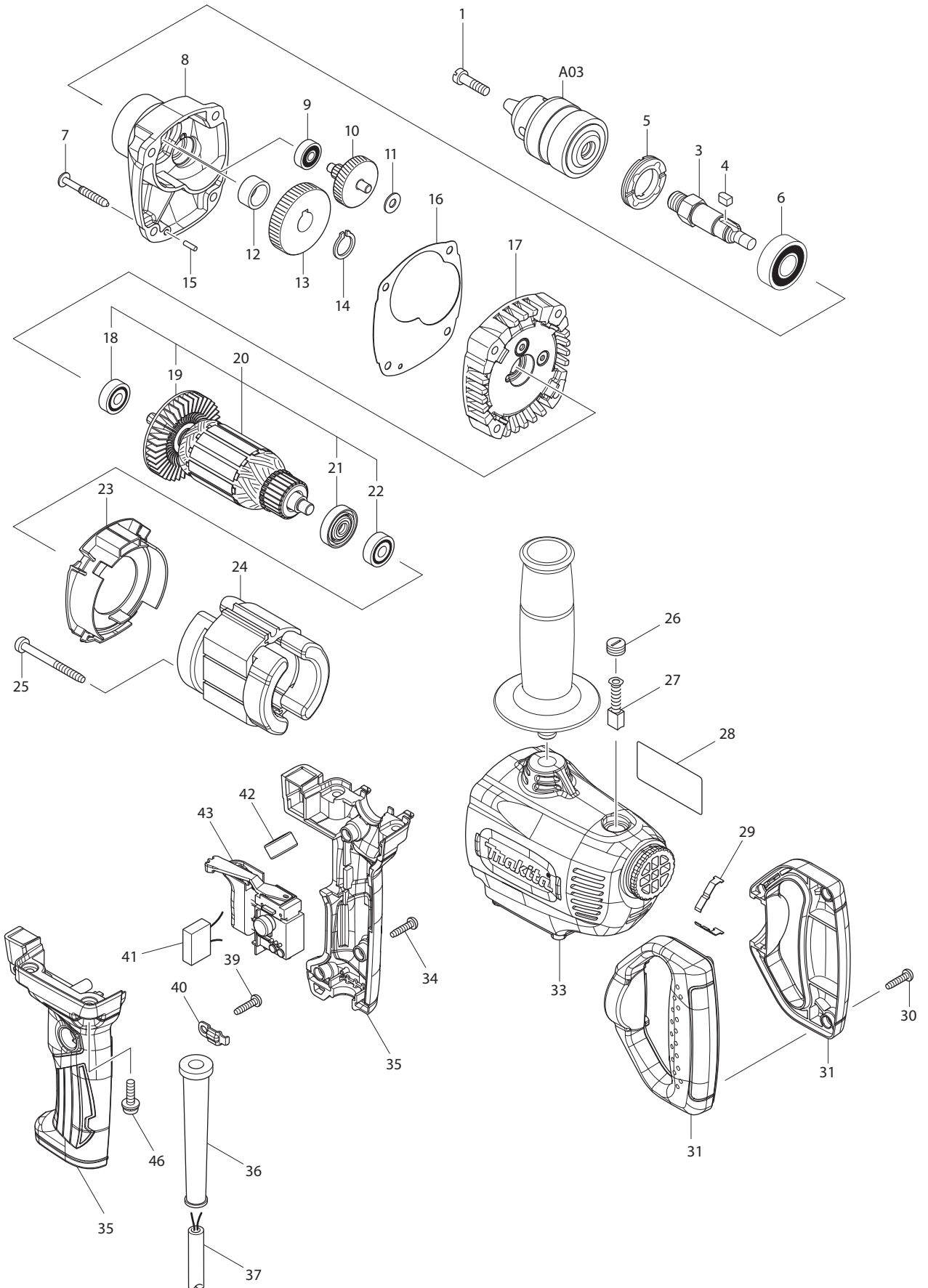




12 - 2014
DS4012
1/2" DRILL



Item No.	Type	Sub	Part No.	Description	Qty	Unit
1			251441-5	- FLAT HEAD SCREW M6X22	1	PC.
3			325494-1	SPINDLE	1	PC.
4			254211-1	KEY 5	1	PC.
5			285807-7	BEARING RETAINER 22-36	1	PC.
6			211206-7	BALL BEARING 6202LLB	1	PC.
7			266211-9	TAPPING SCREW 5X40	4	PC.
8			140620-9	GEAR HOUSING COMPLETE	1	PC.
		INC.	263002-9	RUBBER PIN 4	1	PC.
9			211016-2	BALL BEARING 626LLB	1	PC.
10			226028-2	GEAR COMPLETE 7-41	1	PC.
11			261008-1	FIBER WASHER 6	1	PC.
12			257018-4	RING 15	1	PC.
13			221261-1	SPUR GEAR 47	1	PC.
14			961054-1	RETAINING RING S-14	1	PC.
15			256180-2	PIN 3	1	PC.
16			452066-0	GASKET	1	PC.
17			140619-4	GEAR HOUSING COVER COMPLETE	1	PC.
		INC.	263002-9	RUBBER PIN 4	1	PC.
18			211031-6	BALL BEARING 608LLB	1	PC.
19			241850-6	FAN 60	1	PC.
20			518677-2	ARMATURE ASS'Y 115V	1	PC.
		INC.		INC. 18,19,21,22		
21			681659-8	INSULATION WASHER	1	PC.
22			211031-6	BALL BEARING 608LLB	1	PC.
23			452063-6	BAFFLE PLATE	1	PC.
24			525871-9	FIELD ASS'Y 115V	1	
		INC.	654100-4	RING TERMINAL	2	PC.
		INC.	654555-3	CONNECTOR 34130	2	PC.
25			266095-5	TAPPING SCREW 5X55	2	PC.
26			643550-8	BRUSH HOLDER CAP 5-8	2	PC.
27			195008-8	CARBON BRUSH CB-408 2PC/SET W/ORIGIN	1	SET
28			850P63-0	NAME PLATE F/DS4012	1	PC.
29			232260-8	LEAF SPRING	2	PC.
30			265995-6	TAPPING SCREW 4X18	4	PC.
31			188921-7	HANDLE SET	1	SET
33			140618-6	MOTOR HOUSING COMPLETE	1	PC.
		INC.	643455-2	BRUSH HOLDER 6X9	2	PC.
34			265995-6	TAPPING SCREW 4X18	3	PC.
35			183A33-7	SWITCH HANDLE SET	1	PC.
36			682559-5	CORD GUARD 8	1	PC.
37			664064-4	CORD W/PLUG 2P-18-2.5M, SJ	1	PC.
39			266385-6	TAPPING SCREW 4X14	1	PC.
40			687681-3	STRAIN RELIEF	1	PC.
43			650742-2	SWITCH	1	PC.
46			911233-1	PAN HEAD SCREW M5X20	4	PC.
C01A			877402-3	CARTON F/DS4012	1	PC.
D01			654593-5	SPLICE	8	OC

ACCESSORIES

- See Catalogue or visit www.makita.ca for more accessories information -

A01			152492-0	GRIP 36 COMPLETE	1	PC.
A02			763411-7A	CHUCK KEY	1	PC.
A03			763078-1	1/2" DRILL CHUCK S13	1	PC.
A04			122236-2	DEPTH GAUGE ASS'Y	1	PC.
		INC.	164579-6	STOPPER HOLDER	1	PC.
		INC.	256828-6	ROD 8	1	PC.
		INC.	286210-5	CAP 20	1	PC.
		INC.	924311-8	WING BOLT M6X12	1	PC.

Item No.	Type	Sub	Part No.	Description	Qty	Unit
A05			122177-2	ANGLE ATTACHMENT	1	PC.
		INC.	153109-8	GEAR SHAFT COMPLETE A	1	PC.
		INC.	153110-3	GEAR SHAFT COMPLETE B	1	PC.
		INC.	156387-9	GEAR HOUSING	1	PC.
		INC.	325311-5	SLEEVE	1	PC.
		INC.	781008-0	WRENCH 17	1	PC.
		INC.	921552-7	HEX. BOLT M10X30	2	PC.
		INC.	962155-8	RETAINING RING R-37	2	PC.
A06			----	DRILLING ACCESSORIES		