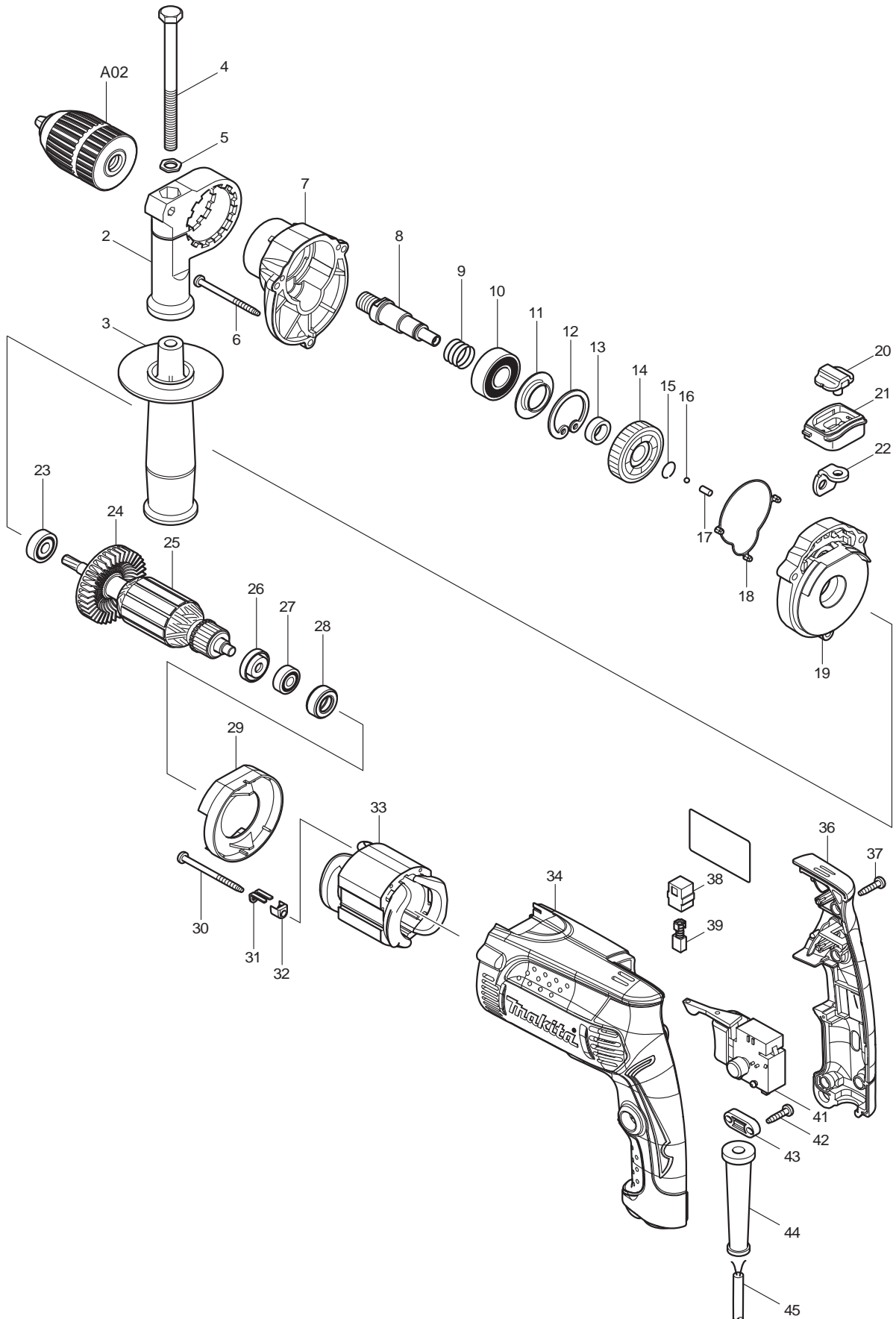




01 - 2010
HP1631
HP1631K
HAMMER DRILL



Item No.	Ref.	Part No.	Description	Q'ty	Unit
2		417630-4	GRIP BASE	1	PC.
3		153503-4	GRIP 36 COMPLETE	1	PC.
4		265495-6	HEX. BOLT M8X110	1	PC.
5		345280-4	HEX. WASHER	1	PC.
6		266361-0	TAPPING SCREW 4X30	3	PC.
7		450619-9	GEAR HOUSING	1	PC.
8		324223-9	SPINDLE	1	PC.
9		233330-6	COMPRESSION SPRING 16	1	PC.
10		211241-5	BALL BEARING 6202DDW	1	PC.
11		257246-1	RING 19	1	PC.
12		962153-2	RETAINING RING R-35	1	PC.
13		257173-2	RING 12	1	PC.
14		226589-2	HELICAL GEAR 37	1	PC.
15		233938-6	RING SPRING 12	1	PC.
16		216001-0	STEEL BALL 3.5	1	PC.
17		256251-5	PIN 4	1	PC.
18		424112-9	SEAL RING	1	PC.
19		158676-8	GEAR HOUSING COVER COMPLETE	1	PC.
20		417819-4	CHANGE LEVER	1	PC.
21		450621-2	LEVER CASE	1	PC.
22		345944-0	CHANGE PLATE	1	PC.
23		211031-6	BALL BEARING 608LLB	1	PC.
24		241869-5	FAN 55	1	PC.
25		515306-8	ARMATURE ASS'Y 115V	1	PC.
	INC.		Item No. 23, 24, 26 & 27		
26		681636-0	INSULATION WASHER	1	PC.
27		211021-9	BALL BEARING 607LLB	1	PC.
28		421808-3	RUBBER RING 19	1	PC.
29		450620-4	BAFFLE PLATE	1	PC.
30		266415-3	TAPPING SCREW 4X55	2	PC.
31		344871-8	RETAINER	2	PC.
32		417237-6	INSULATION COVER	2	PC.
33		626601-2	FIELD 115V	1	PC.
34		450617-3	MOTOR HOUSING	1	PC.
36		158677-6	HANDLE COVER COMPLETE	1	PC.
37		266326-2	TAPPING SCREW 4X18	4	PC.
38		643563-9	BRUSH HOLDER 5X8	2	PC.
39		191956-9	CARBON BRUSH CB-75(2PCS/SET) (W/O ORIGIN)	1	SET
		194971-2	CARBON BRUSH CB-75(2PCS/SET) (W/ ORIGIN)	1	SET
41		650585-2	SWITCH DGQ-1108B	1	PC.
42		266326-2	TAPPING SCREW 4X18	2	PC.
43		687123-7	STRAIN RELIEF	1	PC.
44		682569-2	CORD GUARD 8-85	1	PC.
45		664881-2	CORD W/PLUG 18-2-2.0M, SJ	1	PC.
100		654037-5	INSULATED TERM. FK1.25-M3	2	PC.
101		654042-2	NON-INSULATED SLEEVE	2	PC.
102		654593-5	SPLICE	4	PC.
<u>ACCESSORIES</u>					
A01		824811-7	PLASTIC CARRYING CASE	1	PC.
	INC.	324815-4	SHAFT	1	PC.
	INC.	417724-5	LATCH	2	PC.
	INC.	418264-6	PLATE	3	PC.
	INC.	419216-0	HANDLE	1	PC.
	INC.	450086-8	PLASTIC CASE LID	1	PC.

Item No.	Ref.	Part No.	Description	Q'ty	Unit
A02		194073-4	1/2" KEYLESS DRILL CHUCK	1	PC.
		192541-1	1/2" DRILL CHUCK (CONVENTIONAL)	1	PC.
A03		763440-0	CHUCK KEY (USE WITH 192541-1)	1	PC.
A04		324219-0	DEPTH GAUGE	1	PC.
A05		765009-6	BLOW-OUT BULB	1	PC.